



US00D826665S

(12) **United States Design Patent** (10) **Patent No.:** **US D826,665 S**
Yu (45) **Date of Patent:** **** Aug. 28, 2018**

(54) **RATCHET WRENCH**

(71) Applicant: **Ting-Ho Yu**, Taichung (TW)

(72) Inventor: **Ting-Ho Yu**, Taichung (TW)

(**) Term: **15 Years**

(21) Appl. No.: **29/609,786**

(22) Filed: **Jul. 5, 2017**

(30) **Foreign Application Priority Data**

Jan. 12, 2017 (TW) 106300192

(51) **LOC (11) Cl.** **08-05**

(52) **U.S. Cl.**
USPC **D8/25**

(58) **Field of Classification Search**
USPC D8/25, 60, 97, 107; 81/60-63, 177.1,
81/177.85, 121.1, 124.3, 165-170, 110.1,
81/176.2, 124.6, 176.1, 176.15, 177.2,
81/186, 467, 476, 478, 480; 16/110.1;
192/44, 45, 54.52; D24/133, 145, 147;
606/54, 59, 62, 63, 60, 64
CPC .. B25G 1/00; B25B 1/00; B25B 13/00; B25B
23/00

See application file for complete search history.

(56) **References Cited**

U.S. PATENT DOCUMENTS

D441,624 S * 5/2001 Hsu D8/25
D633,762 S * 3/2011 Zhou D8/22
D654,337 S * 2/2012 Huang D8/25
D757,512 S * 5/2016 Chen D8/25

* cited by examiner

Primary Examiner — Randall H Gholson

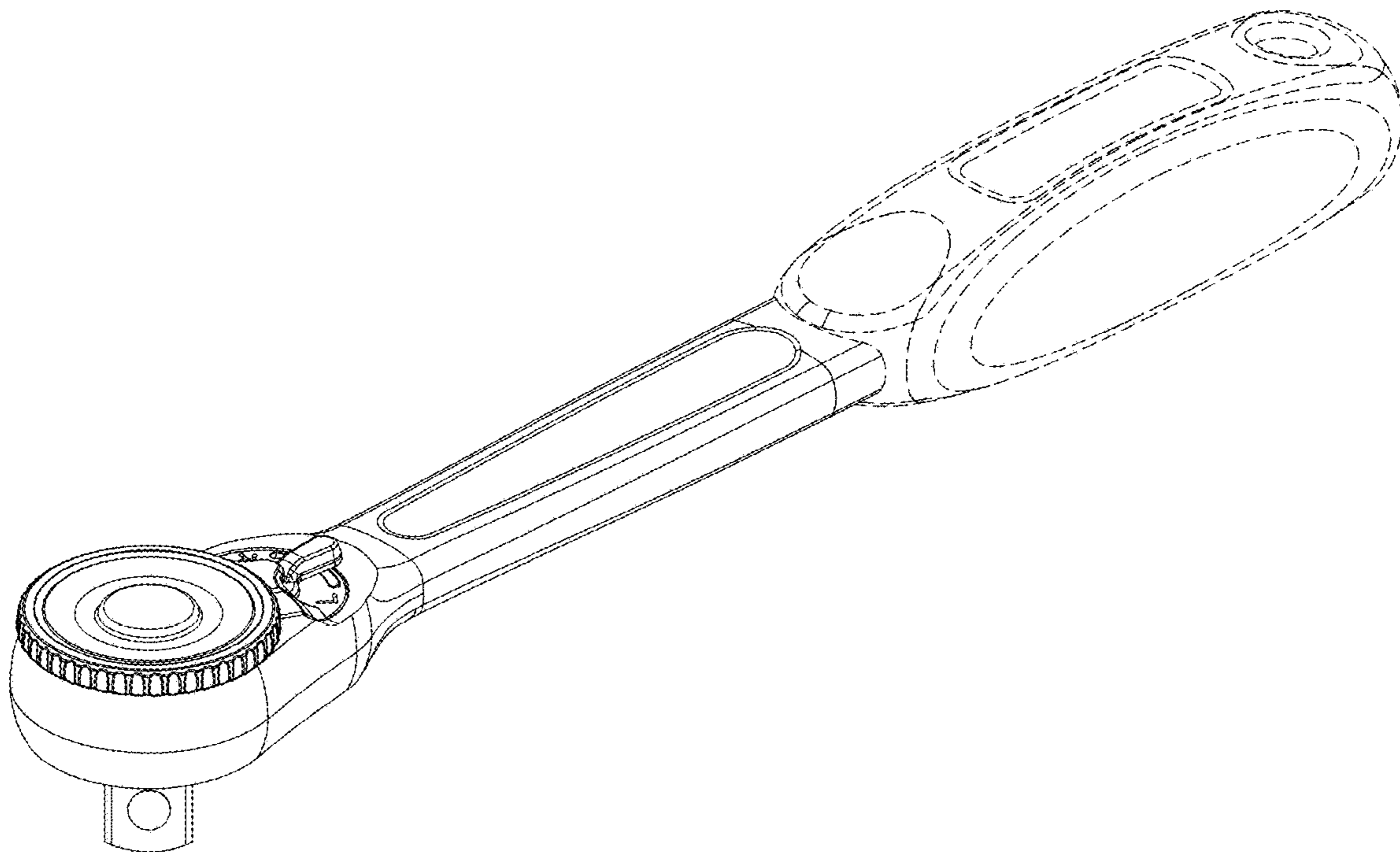
(57) **CLAIM**

The ornamental design for a ratchet wrench, as shown and described.

DESCRIPTION

FIG. 1 is a perspective view of ratchet wrench showing my new design;
FIG. 2 is a front side view thereof;
FIG. 3 is a back side view thereof;
FIG. 4 is a left side view thereof;
FIG. 5 is a right side view thereof;
FIG. 6 is a top plan view thereof; and,
FIG. 7 is a bottom plan view thereof.
The broken lines shown herein are for illustrative purposes only and form no part of the claimed design.

1 Claim, 6 Drawing Sheets



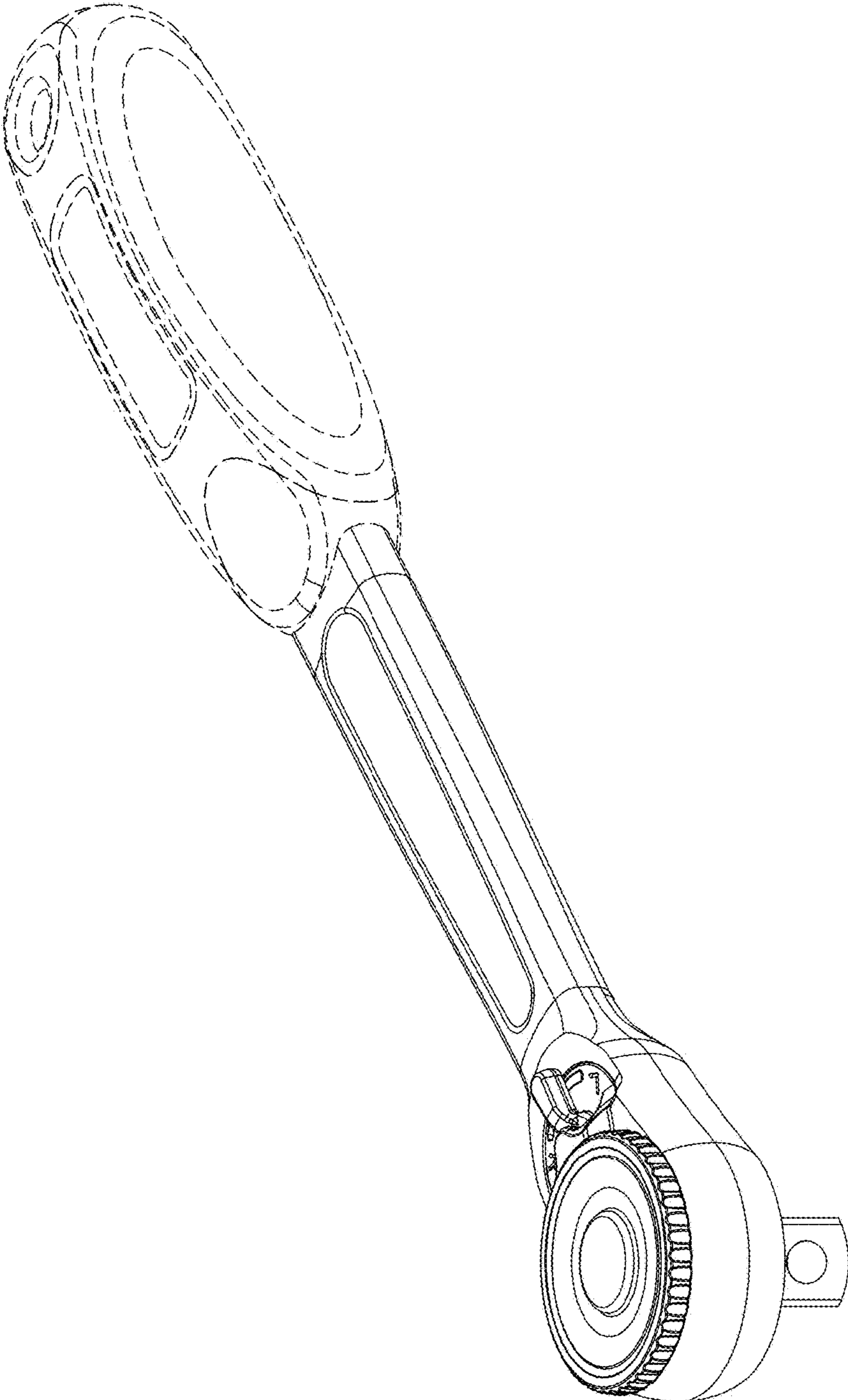


FIG. 1

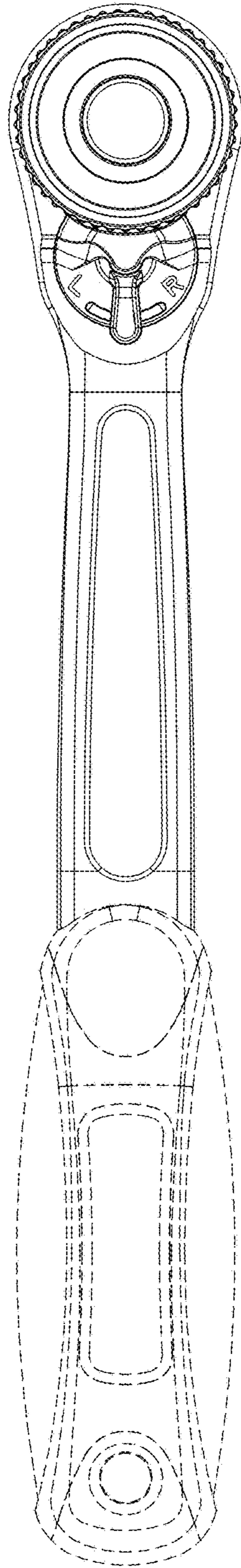


FIG. 2

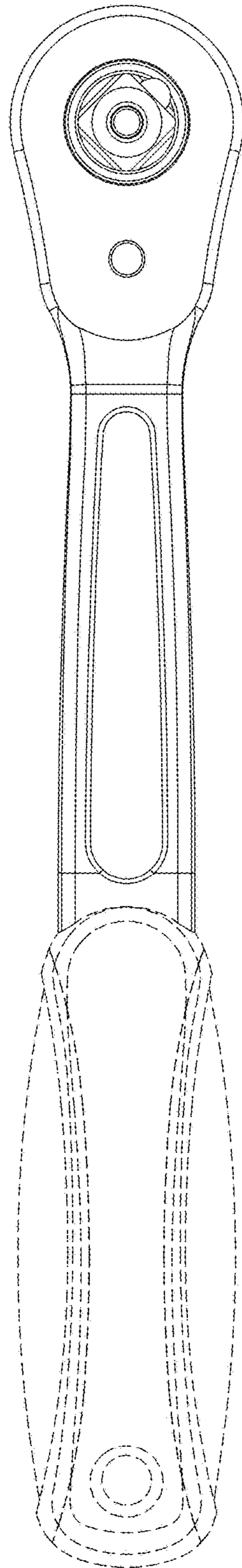


FIG. 3

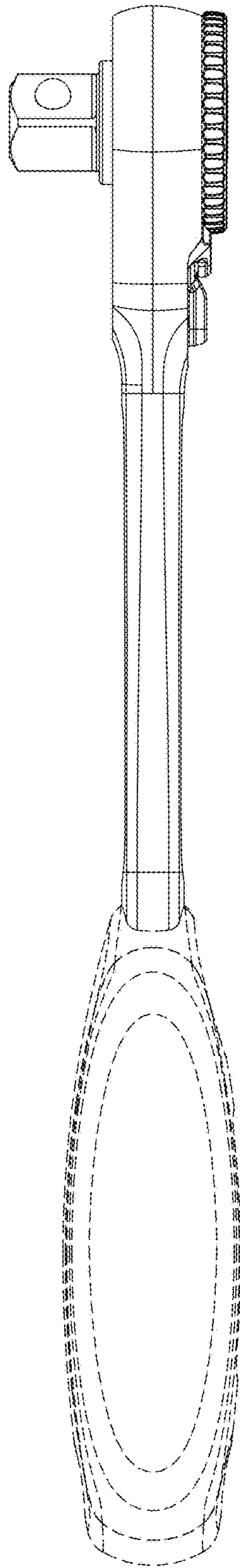


FIG. 4

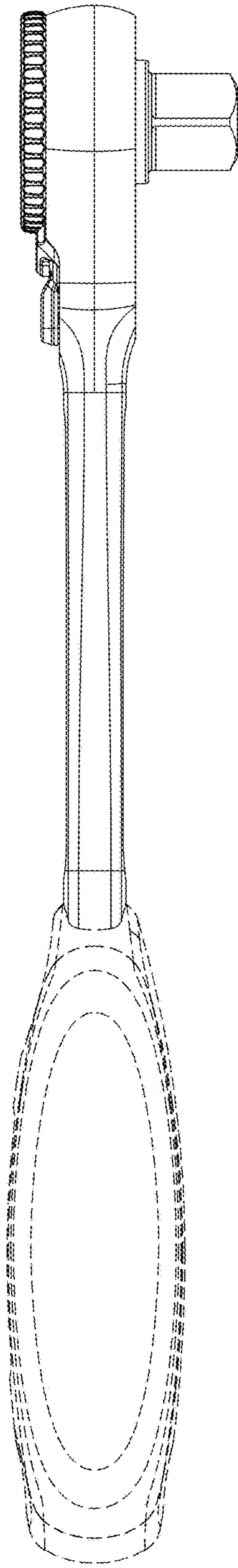


FIG. 5

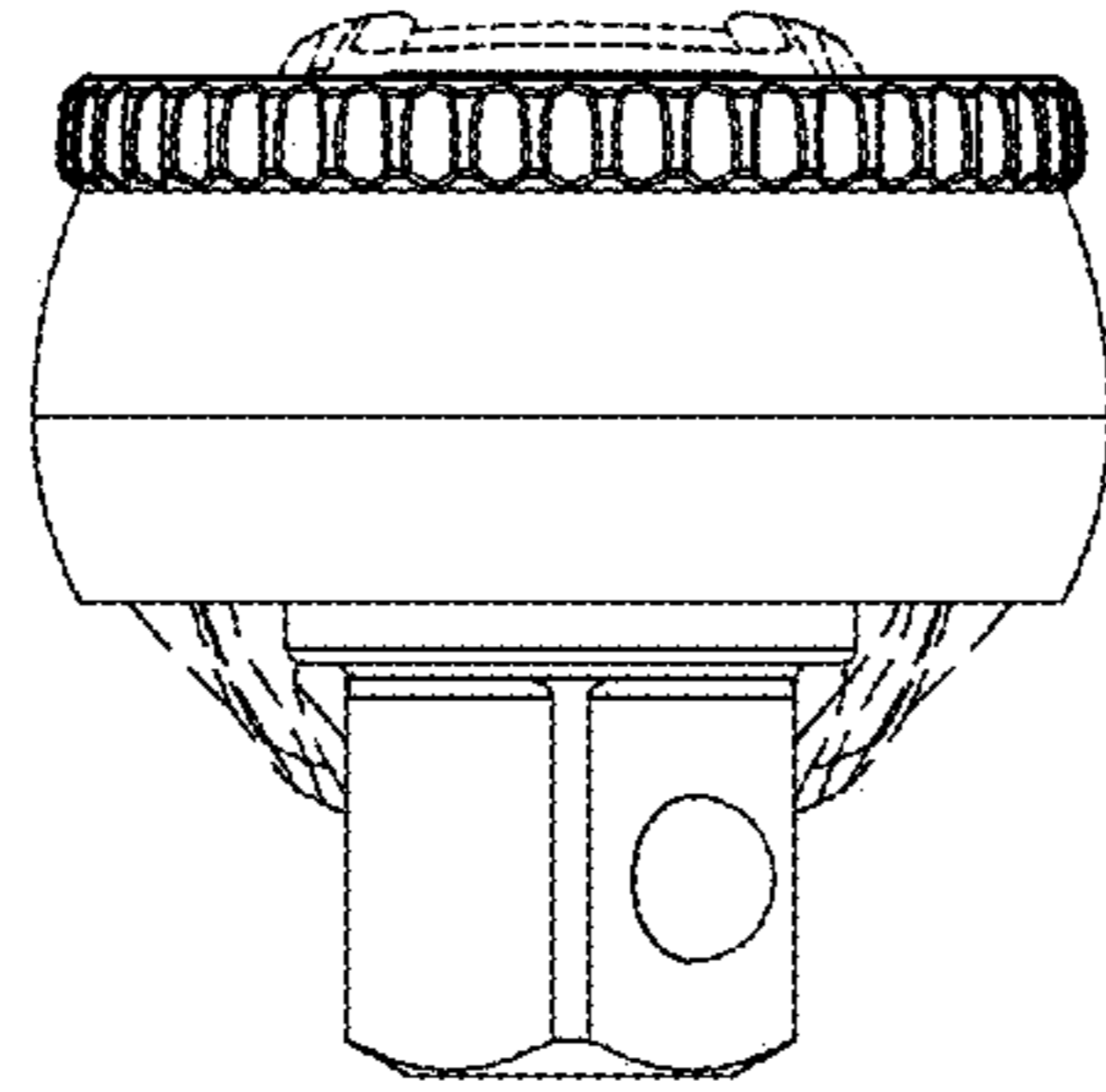


FIG. 6

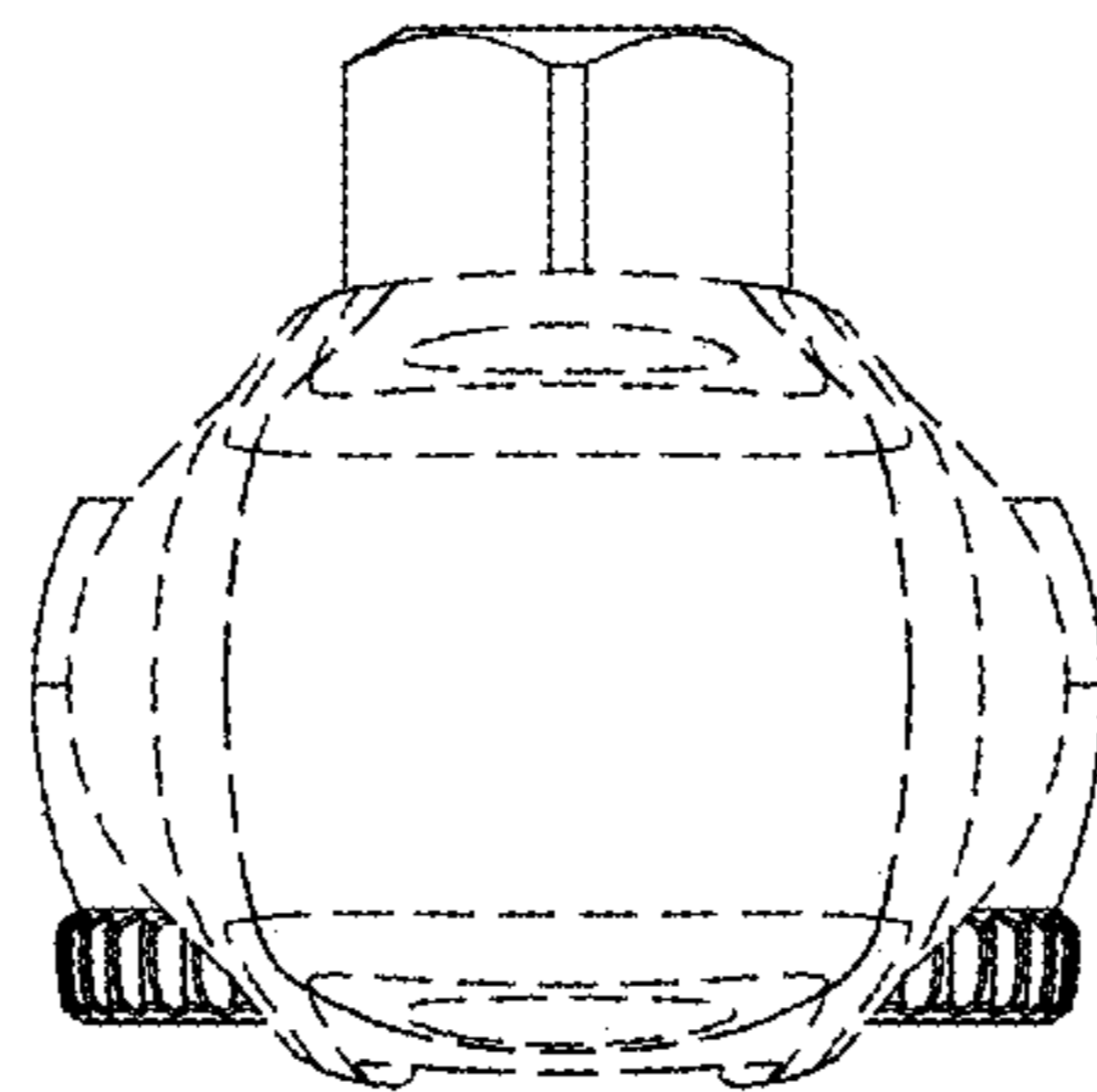


FIG. 7