



US00D82664S

(12) **United States Design Patent**
Matsubara et al.

(10) **Patent No.:** **US D826,664 S**

(45) **Date of Patent:** **** Aug. 28, 2018**

(54) **CUTTING TOOL**

(71) Applicant: **SUMITOMO ELECTRIC
HARDMETAL CORP.**, Itami-shi (JP)

(72) Inventors: **Kouki Matsubara**, Itami (JP); **Junya Okida**, Itami (JP); **Naoki Matsuda**, Itami (JP)

(73) Assignee: **SUMITOMO ELECTRIC
HARDMETAL CORP.**, Itami-shi (JP)

(**) Term: **15 Years**

(21) Appl. No.: **29/614,435**

(22) Filed: **Aug. 18, 2017**

(30) **Foreign Application Priority Data**

Jul. 5, 2017 (JP) 2017-014533

(51) **LOC (11) Cl.** **08-03**

(52) **U.S. Cl.**
USPC **D8/20; D15/139**

(58) **Field of Classification Search**
USPC D8/5, 8, 9, 62, 64, 66, 70, 92, 98, 99;
30/32, 48, 50, 81, 128, 159, 165, 166.3,
30/169, 272, 277.4, 294, 346; 83/665,
83/666, 667, 835, 886; 407/20, 30;
D15/29, 138, 139
CPC .. B24B 3/36; B24B 3/365; B24B 3/46; B27B
5/00; Y10T 83/9319; Y10T 83/9321;
Y10T 83/9346; Y10T 83/9348; B23D
61/00; B23D 61/025; B23D 61/06; B23D
61/04; B23D 61/026; B23D 65/00; B23D
7/086; B23D 7/2614; B26B 1/00; B26B
3/00; B26B 21/00; B26B 11/00; B26B
9/00; B26B 5/00; B26D 7/18

See application file for complete search history.

(56) **References Cited**

U.S. PATENT DOCUMENTS

2,036,145 A * 3/1936 Jewett B27G 13/10
144/219
5,197,831 A * 3/1993 Shiratori B23C 5/1045
407/114
5,207,538 A * 5/1993 Satran B23C 5/2213
407/113
D342,269 S * 12/1993 Arai D15/139
D367,866 S * 3/1996 Pantzar D15/139
D410,475 S * 6/1999 Bernadic D15/139

(Continued)

Primary Examiner — Wan Laymon

Assistant Examiner — Clint A Samuel

(74) *Attorney, Agent, or Firm* — Venable LLP; Michael
A. Sartori; Miguel A. Lopez

(57) **CLAIM**

The ornamental design for a cutting tool, as shown and described.

DESCRIPTION

FIG. 1 is a front view of a cutting tool showing our new design,
FIG. 2 is a rear view thereof;
FIG. 3 is a right side view thereof;
FIG. 4 is a left side view thereof;
FIG. 5 is a top view thereof;
FIG. 6 is a bottom view thereof;
FIG. 7 is a first perspective view thereof;
FIG. 8 is a second perspective view thereof;
FIG. 9 is a third perspective view thereof;
FIG. 10 is a cross sectional view taken along line 10-10 of FIG. 1;
FIG. 11 is a cross sectional view taken along line 11-11 of FIG. 1;
FIG. 12 is a cross sectional view taken along line 12-12 of FIG. 1;

(Continued)

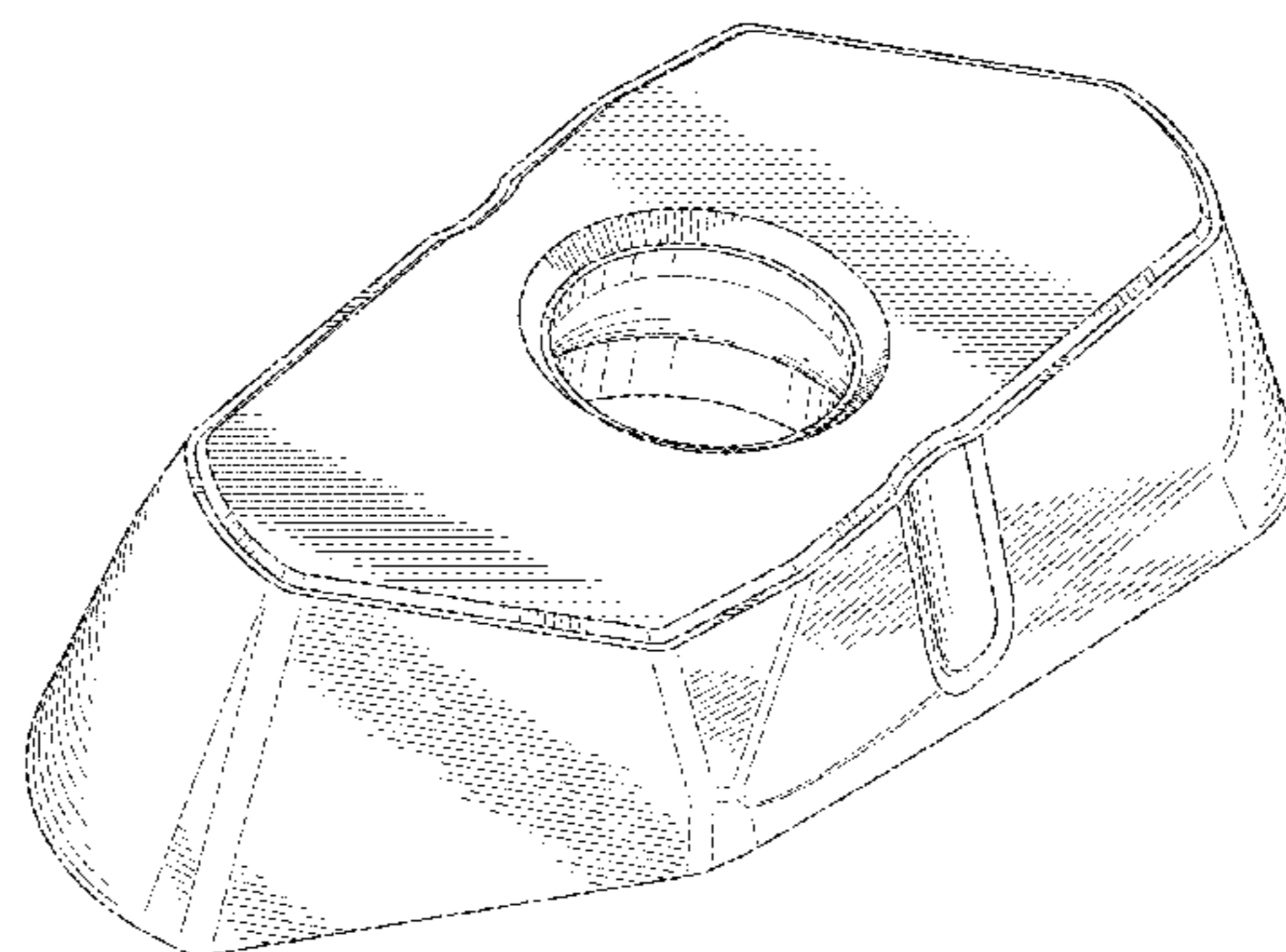
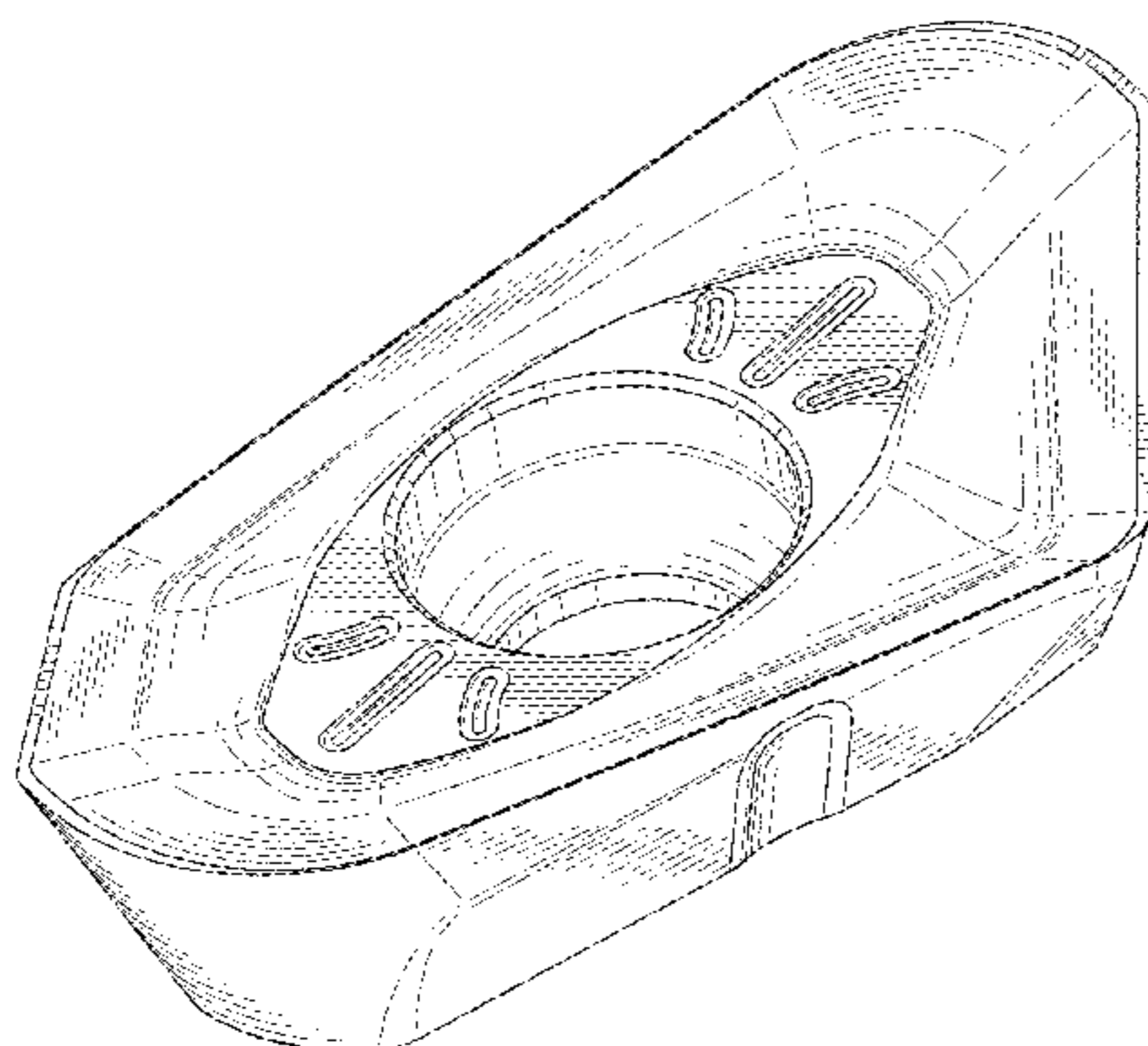


FIG. 13 is an enlarged view of portion 13-13 of FIG. 10; and,
 FIG. 14 is an enlarged view of portion 14-14 of FIG. 11.

1 Claim, 8 Drawing Sheets

(56)

References Cited

U.S. PATENT DOCUMENTS

D454,142 S * 3/2002 Vanberg D15/139
 D474,787 S * 5/2003 Niebauer D15/139
 D487,281 S * 3/2004 Roman D15/139
 D496,949 S * 10/2004 Waggle D15/139
 D497,371 S * 10/2004 Waggle D15/139
 D559,286 S * 1/2008 Waggle D15/139
 D579,470 S * 10/2008 Maeta D15/139
 D595,323 S * 6/2009 Sakata D15/139
 D676,071 S * 2/2013 Cox D15/139

D676,072 S * 2/2013 Cox D15/139
 D705,281 S * 5/2014 Heinasenaho D15/139
 D715,840 S * 10/2014 Park D15/139
 D748,703 S * 2/2016 Nam D15/139
 D752,664 S * 3/2016 Jung D15/139
 D786,952 S * 5/2017 Jeong D15/139
 D795,318 S * 8/2017 Yoshida D15/139
 D804,552 S * 12/2017 Lee D15/139
 D805,564 S * 12/2017 Lee D15/139
 D805,566 S * 12/2017 Oh D15/139
 D806,150 S * 12/2017 Komiyama D15/139
 D807,719 S * 1/2018 Gopi D8/20
 D807,935 S * 1/2018 Dudzinsky D15/139
 D812,443 S * 3/2018 Gonzalez D8/20
 D815,164 S * 4/2018 Schleicher D15/139
 D815,165 S * 4/2018 Morisaki D15/139
 D816,133 S * 4/2018 Mura D15/139
 D816,134 S * 4/2018 Mura D15/139
 D816,744 S * 5/2018 Lee D15/139
 D818,016 S * 5/2018 Yoshida D15/139

* cited by examiner

FIG.1

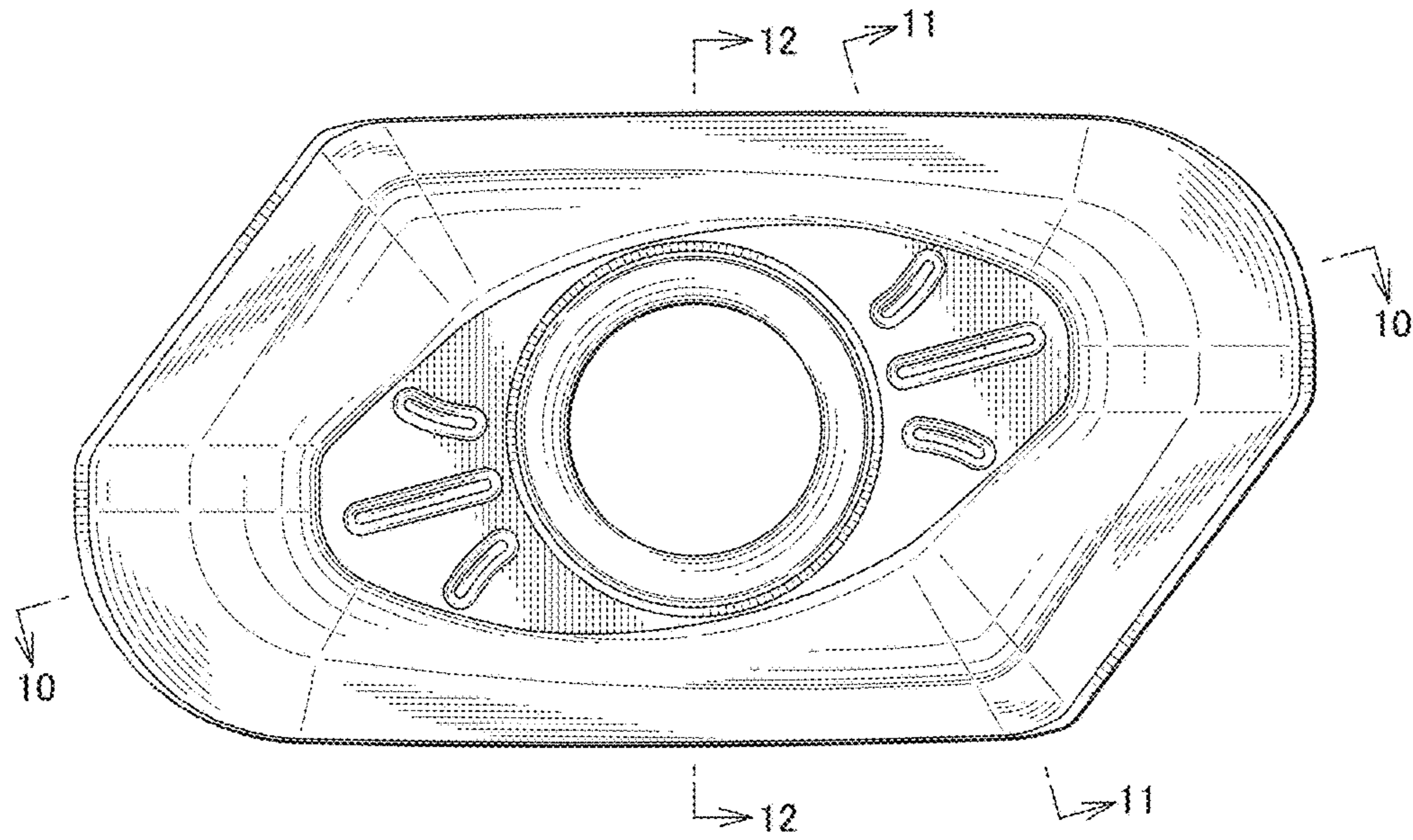


FIG.2

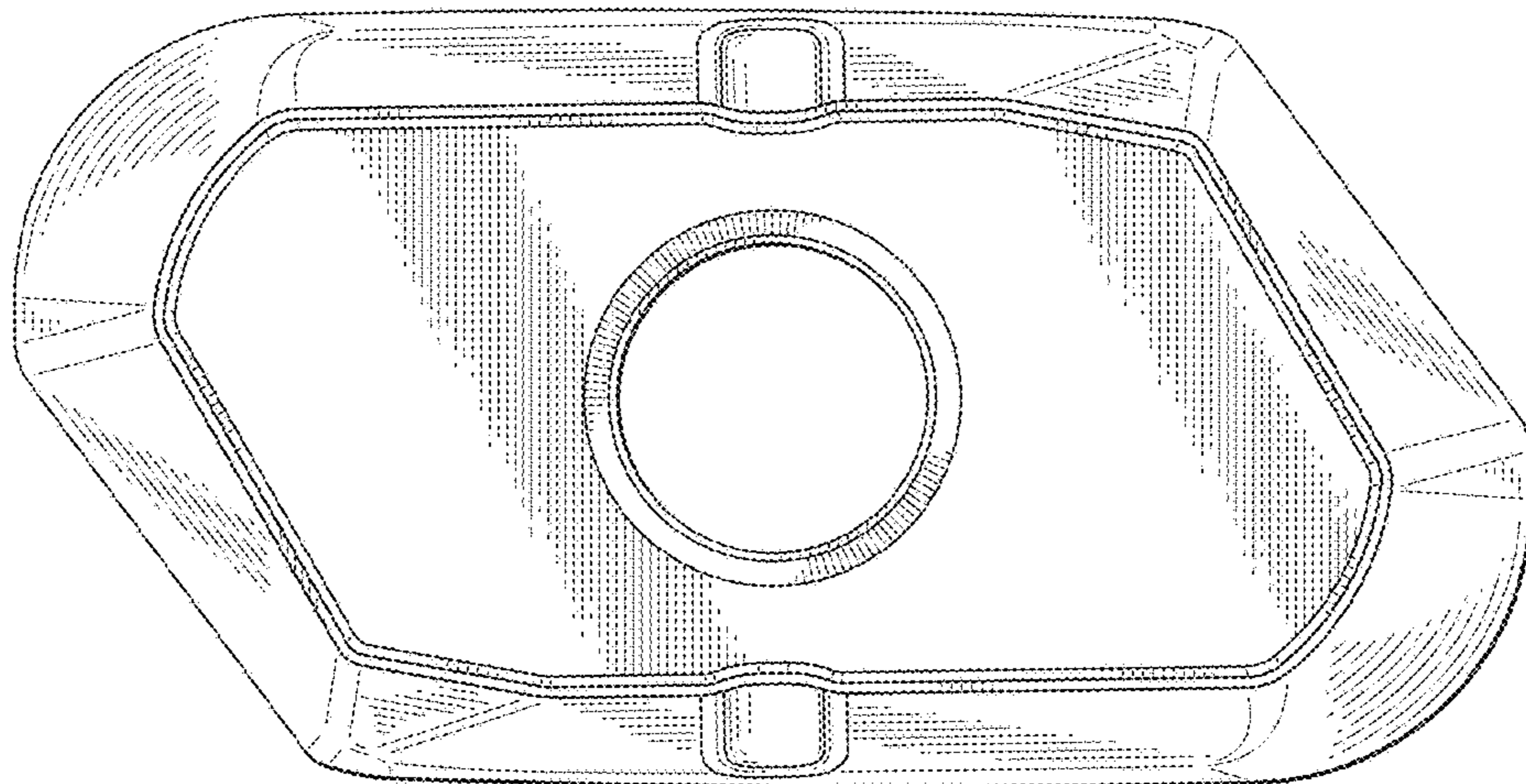


FIG.3

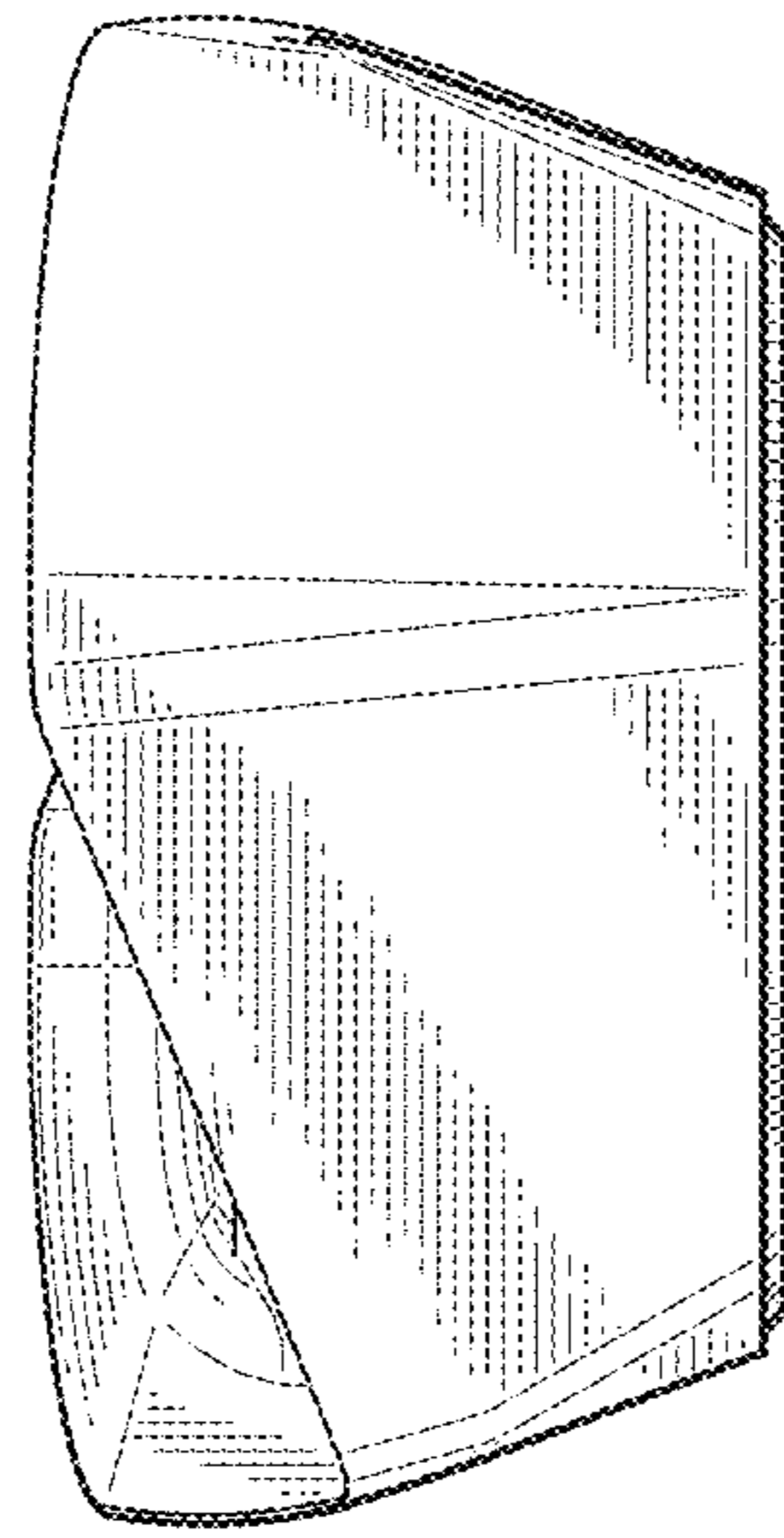


FIG.4

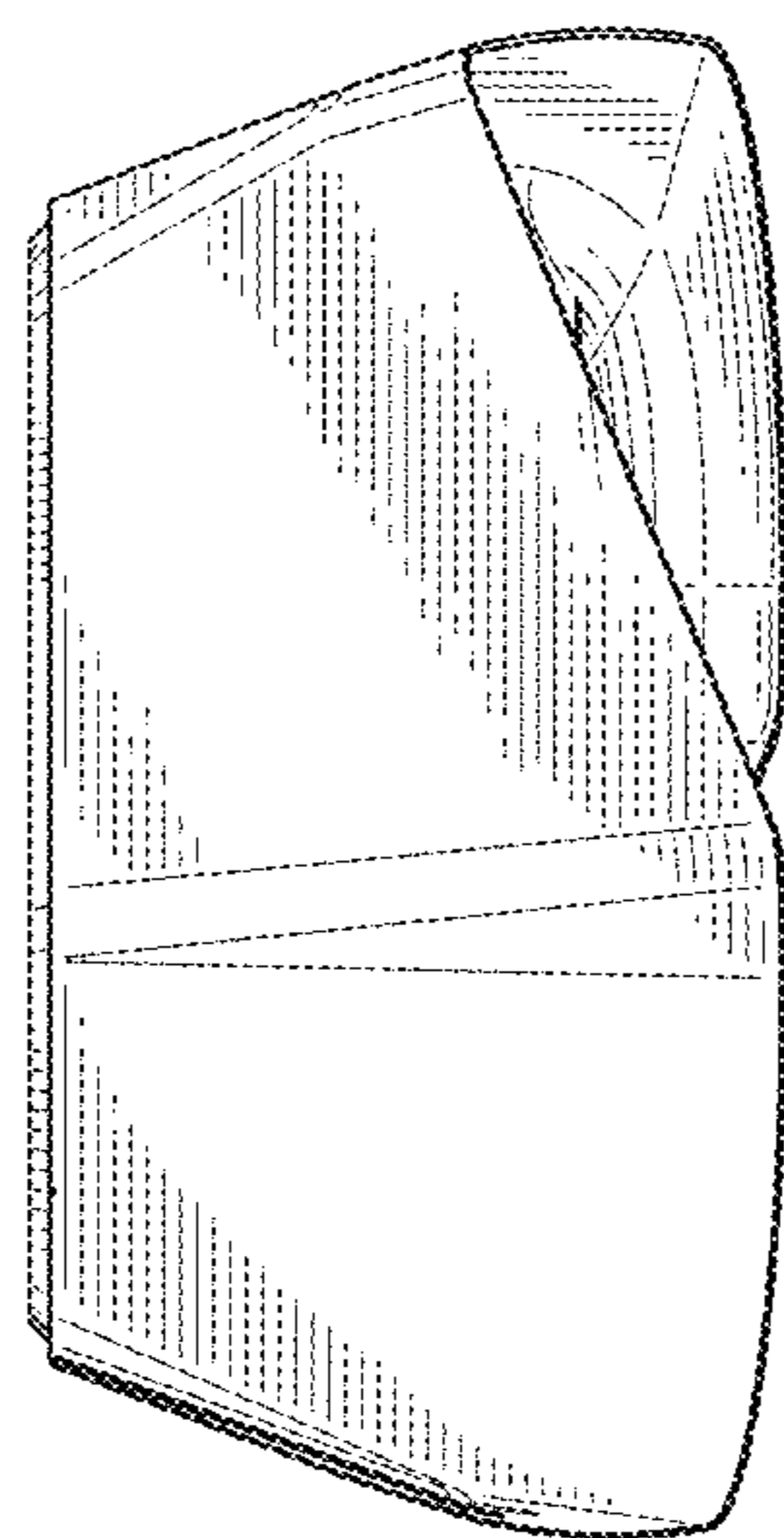


FIG.5

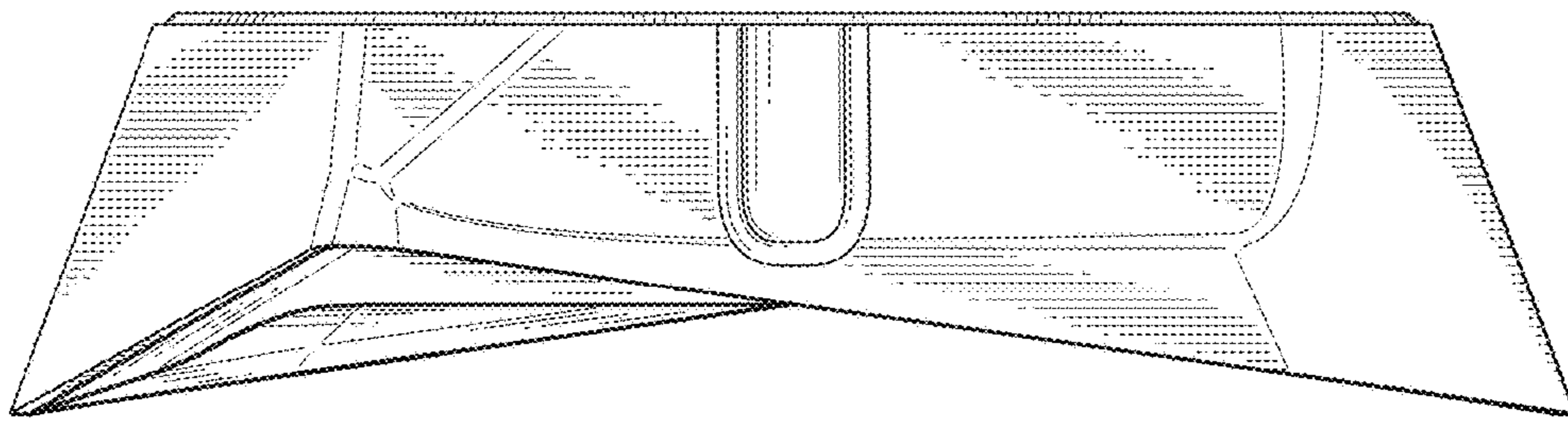


FIG.6

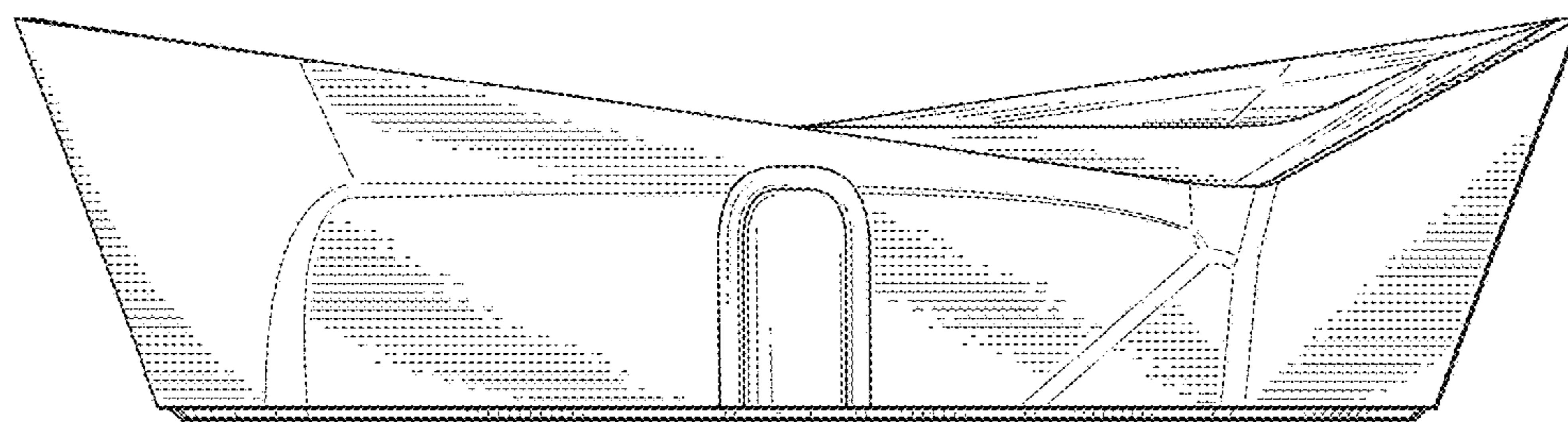


FIG. 7

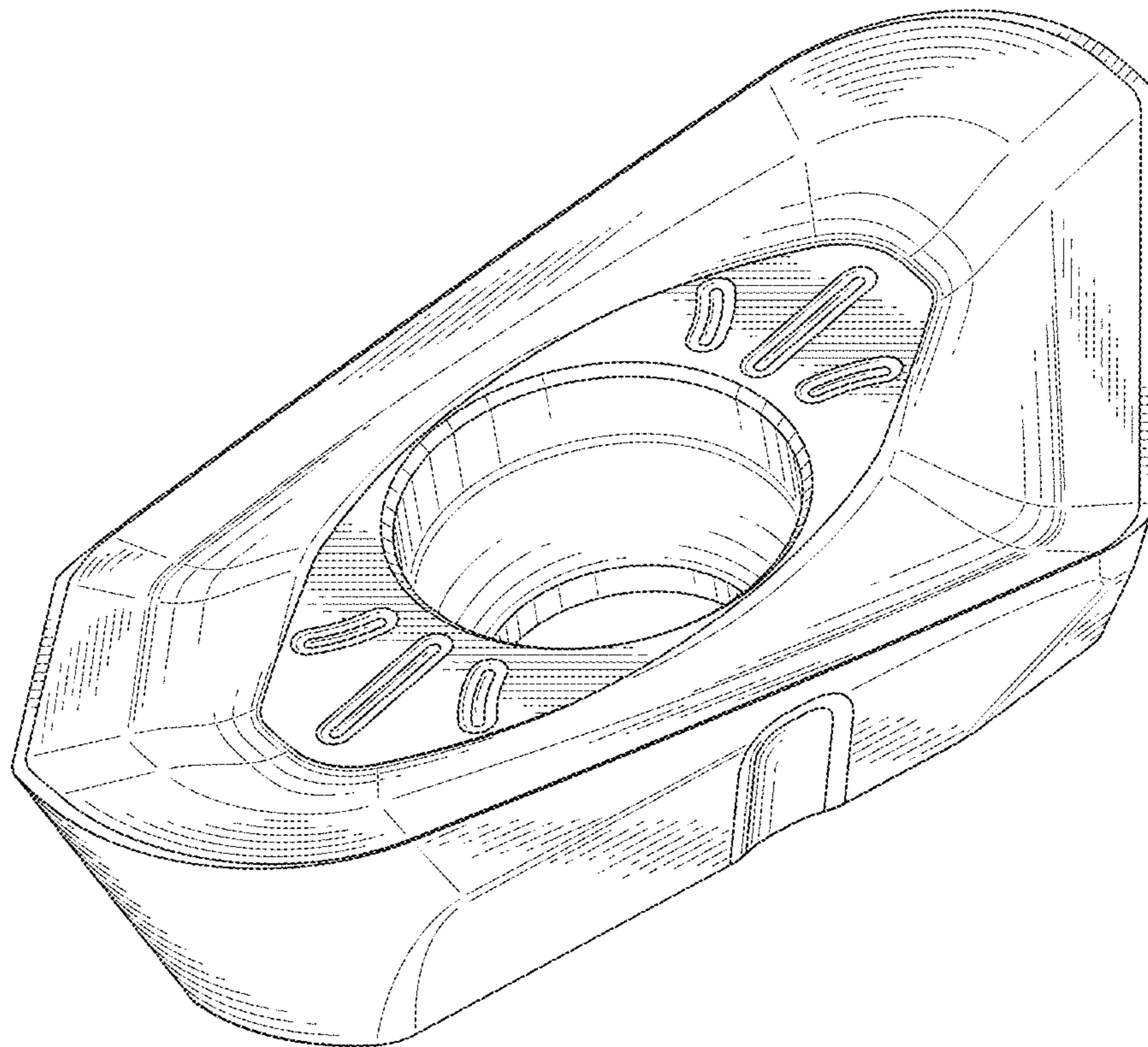


FIG.8

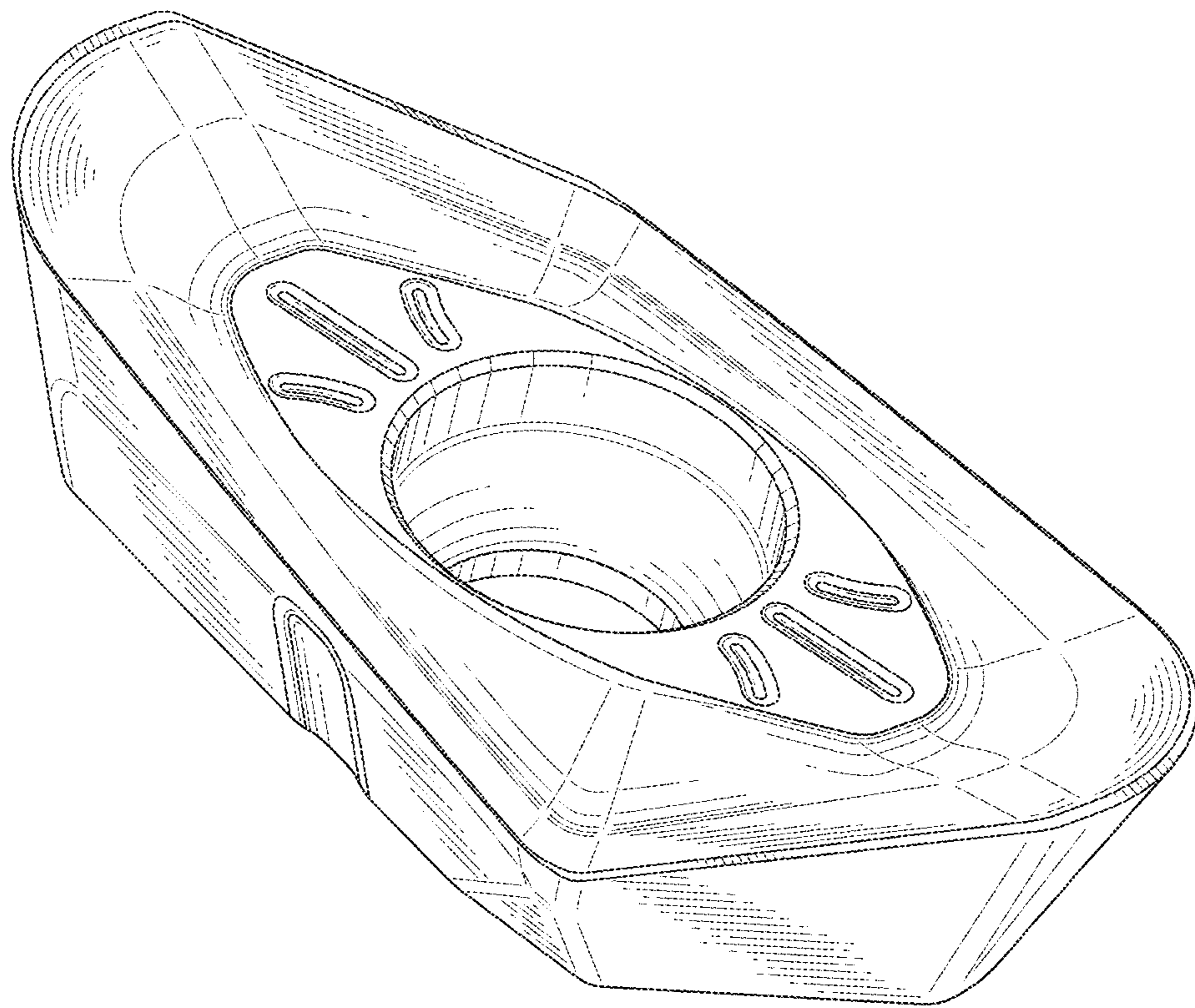


FIG.9

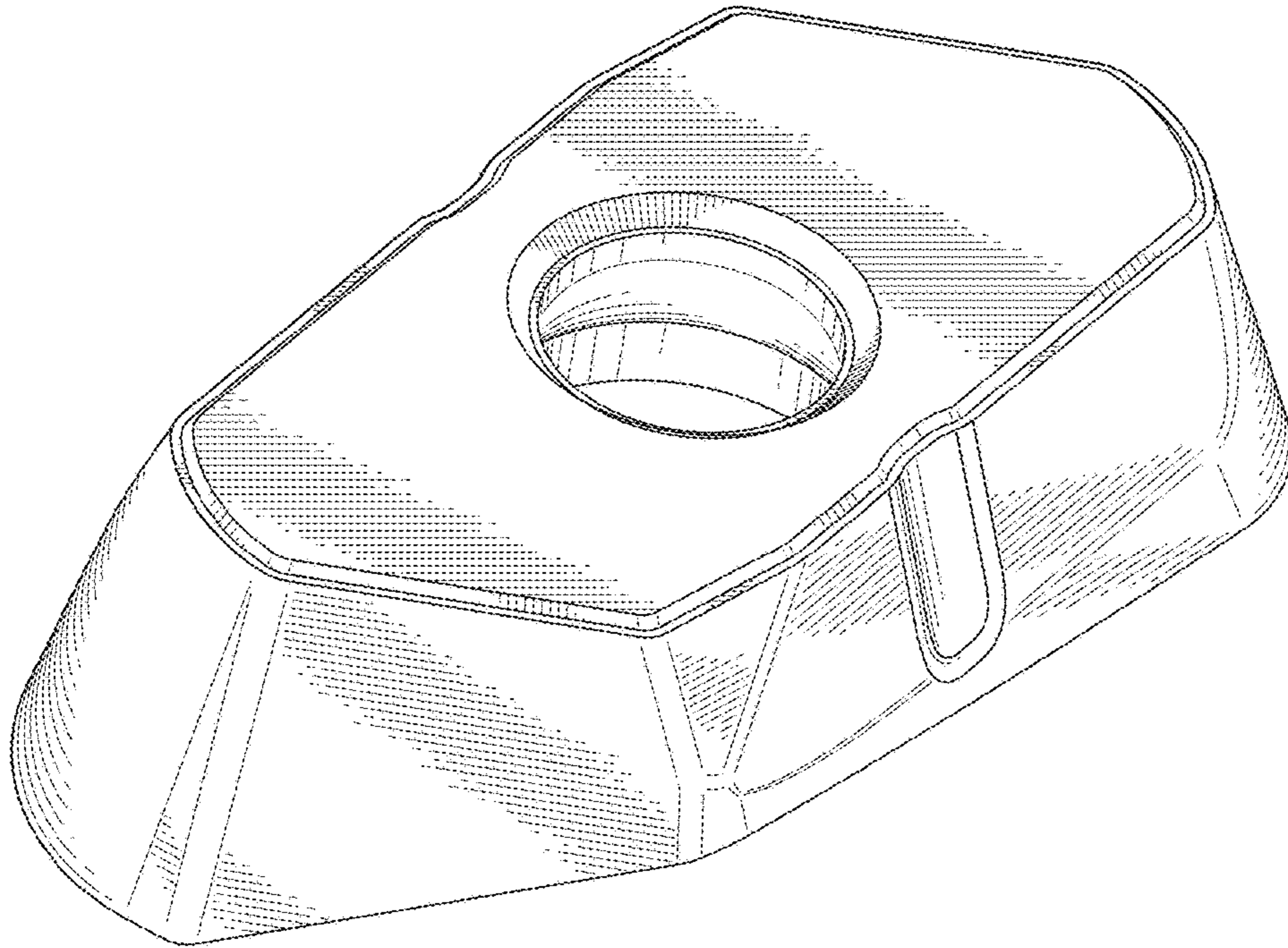


FIG.10

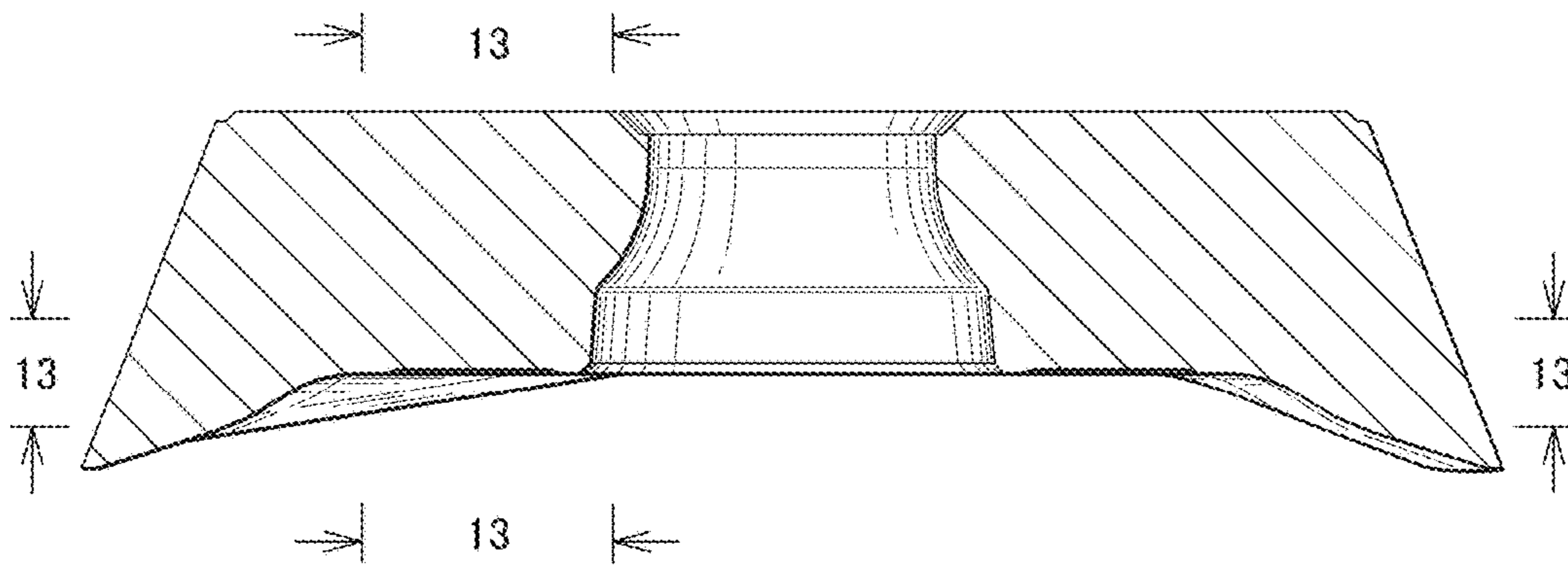


FIG.11

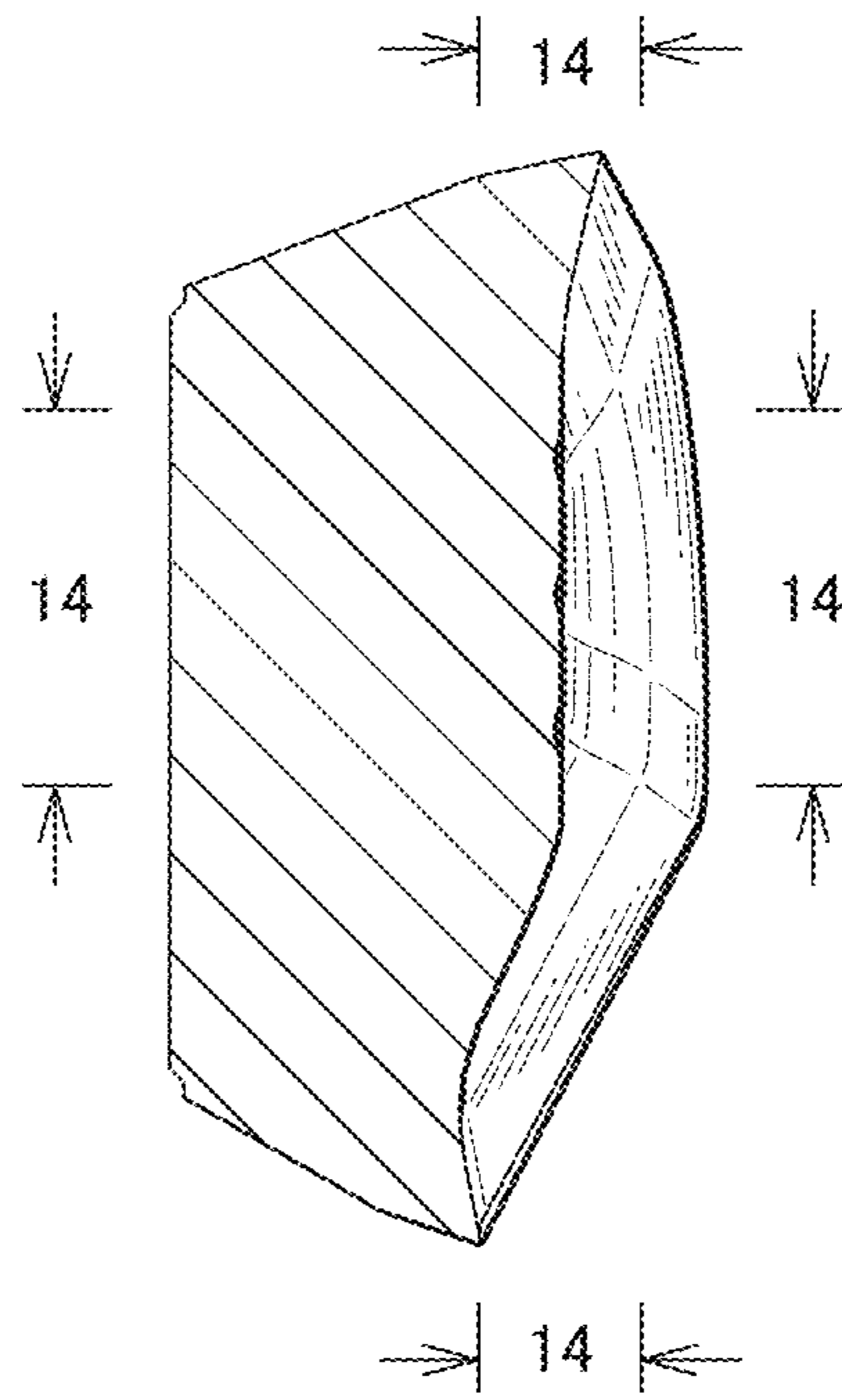


FIG.12

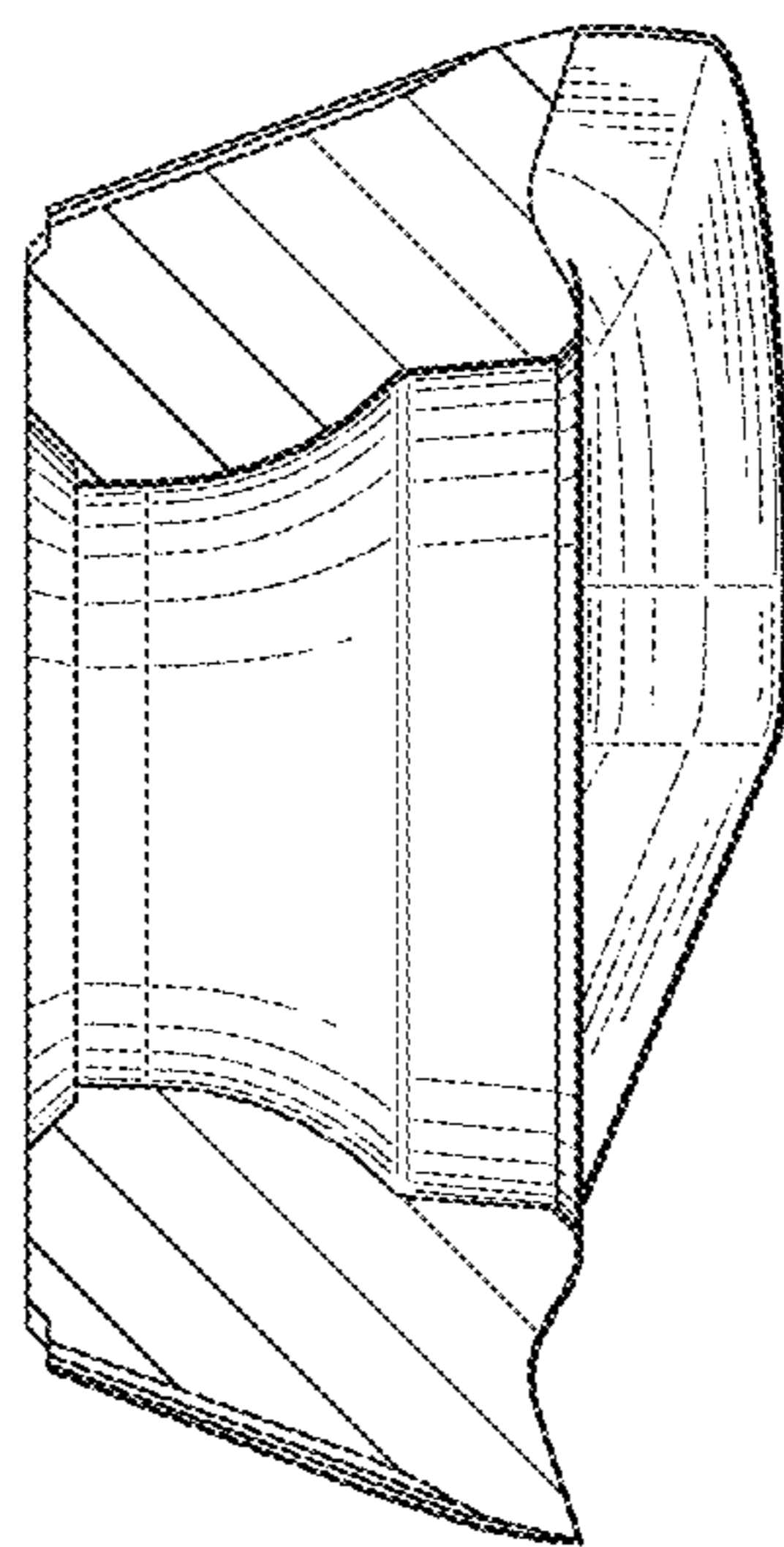


FIG.13

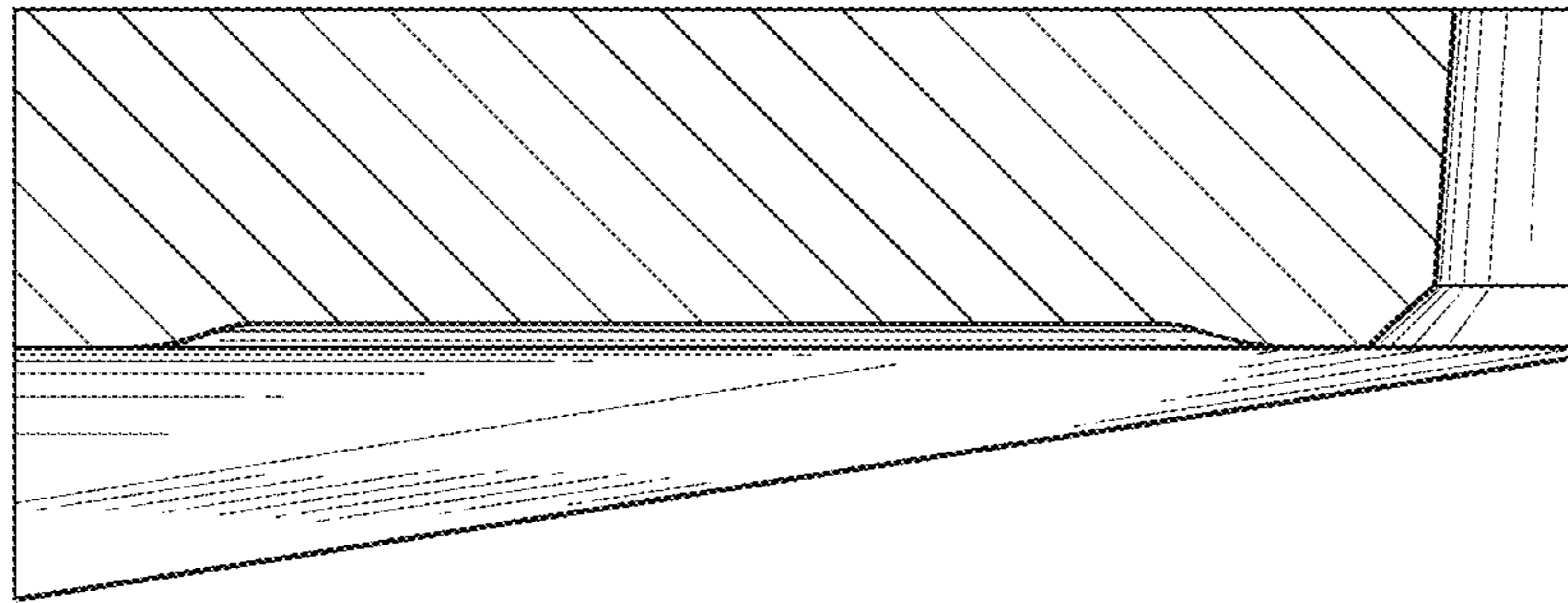


FIG.14

