



US00D826663S

(12) **United States Design Patent**  
**Cigarini et al.**

(10) **Patent No.:** **US D826,663 S**

(45) **Date of Patent:** **\*\* Aug. 28, 2018**

- (54) **HEAD TRIMMER**
- (71) Applicant: **TECOMEC S.R.L.**, Reggio Emilia (IT)
- (72) Inventors: **Enrico Cigarini**, Reggio Emilia (IT);  
**Salvatore Longo**, Cadelbosco Sopra (IT)
- (73) Assignee: **TECOMEC S.R.L.**, Reggio Emilia (IT)
- (\*\*) Term: **15 Years**
- (21) Appl. No.: **29/598,193**
- (22) Filed: **Mar. 23, 2017**

- 5,979,064 A \* 11/1999 Kitz ..... A01D 34/4165  
30/276
- 6,108,914 A \* 8/2000 Sheldon ..... A01D 34/4166  
30/276
- D460,904 S 7/2002 Riley et al.
- D465,975 S 11/2002 Iacona
- D479,961 S 9/2003 Iacona
- D482,581 S 11/2003 Nystrom
- D482,941 S 12/2003 Nystrom
- D502,368 S 3/2005 Nystrom et al.
- D532,263 S 11/2006 Iacona
- D560,107 S 1/2008 Grey
- D584,581 S 1/2009 Bradford
- D597,804 S 8/2009 Alliss
- D598,254 S 8/2009 Alliss
- D598,255 S 8/2009 Alliss
- 7,640,668 B2 1/2010 Iacona

(Continued)

(30) **Foreign Application Priority Data**

Oct. 7, 2016 (EM) ..... 003410737-0002

- (51) **LOC (11) Cl.** ..... **08-01**
- (52) **U.S. Cl.**  
USPC ..... **D8/8**
- (58) **Field of Classification Search**  
USPC ..... D8/1, 7, 8, 9, 383, 499; D15/17  
CPC ..... A01D 34/01; A01D 34/4161; A01D  
34/4165; A01D 34/4166; A01D 34/4167;  
A01D 34/015; A01D 34/84; A01G 3/062  
See application file for complete search history.

(56) **References Cited**

**U.S. PATENT DOCUMENTS**

- 4,152,832 A 5/1979 Akaike et al.
- D254,173 S 2/1980 Proulx
- 4,195,408 A 4/1980 Palmieri et al.
- 4,276,691 A 7/1981 Palmieri et al.
- 4,349,962 A 9/1982 Itagaki et al.
- D346,727 S 5/1994 Eriksson
- D347,773 S \* 6/1994 Nash ..... D8/8
- D362,600 S 9/1995 Kiyooka et al.
- D370,489 S \* 6/1996 Taggett ..... D15/17
- D376,741 S 12/1996 Sadlowski

**FOREIGN PATENT DOCUMENTS**

WO 2013179318 A1 12/2013

*Primary Examiner* — Sandra S Snapp

*Assistant Examiner* — Ieisha N Price

(74) *Attorney, Agent, or Firm* — Pearne & Gordon LLP

(57) **CLAIM**

The ornamental design for a head trimmer, as shown and described.

**DESCRIPTION**

FIG. 1 is a perspective view of a head trimmer, showing our new design;

FIG. 2 is a top view thereof;

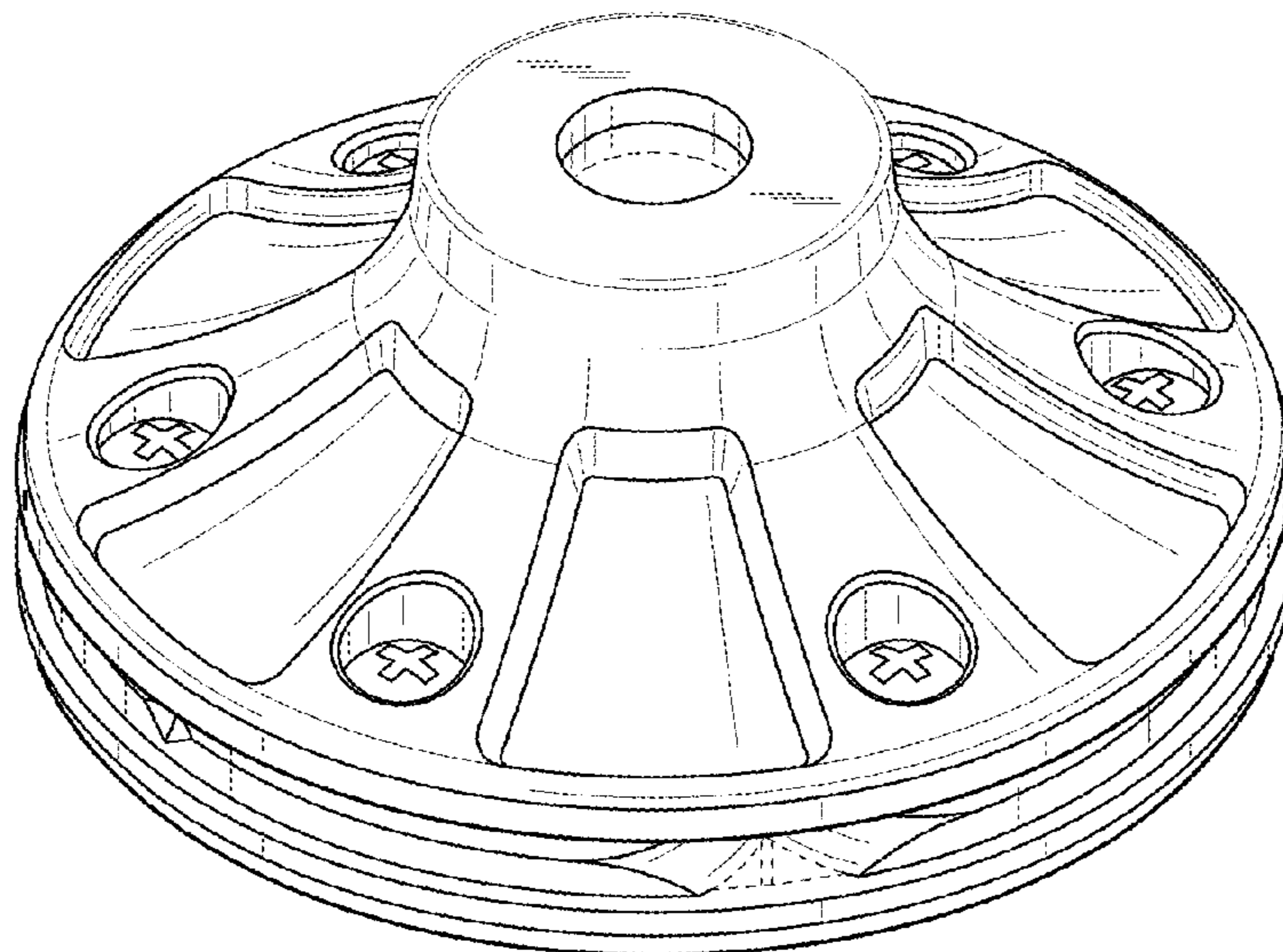
FIG. 3 is a bottom view thereof;

FIG. 4 is a right side view thereof, the left side view being identical thereto; and,

FIG. 5 is a front view thereof, the back view being identical thereto.

The broken lines in the drawings illustrate portions of the head trimmer and form no part of the claimed design.

**1 Claim, 3 Drawing Sheets**



(56)

References Cited

U.S. PATENT DOCUMENTS

D630,068 S	1/2011	Proulx		2011/0119932 A1	5/2011	Pfaltzgraff et al.	
7,882,642 B2	2/2011	Proulx		2011/0214295 A1	9/2011	Proulx	
7,913,401 B2 *	3/2011	Iacona	..... A01D 34/4168 30/275.4	2011/0225832 A1	9/2011	Alliss	
D638,678 S	5/2011	Proulx		2011/0289785 A1 *	12/2011	Jerez .....	A01D 34/416 30/347
D638,679 S	5/2011	Proulx		2011/0302791 A1	12/2011	Proulx et al.	
D653,920 S	2/2012	Cigarini		2011/0302793 A1	12/2011	Alliss	
D668,517 S	10/2012	Landberg		2012/0131804 A1	5/2012	Cigarini	
8,510,960 B2	8/2013	Pfaltzgraff et al.		2012/0260508 A1 *	10/2012	Duvall .....	A01D 34/4166 30/347
8,567,073 B2	10/2013	Proulx		2014/0033546 A1 *	2/2014	Arnetoli .....	A01D 34/4166 30/347
8,689,451 B2	4/2014	Cigarini		2014/0215835 A1	8/2014	Racov et al.	
D715,608 S	10/2014	Cigarini		2014/0250699 A1	9/2014	Weimer et al.	
8,869,405 B2	10/2014	Codeluppi et al.		2014/0259692 A1	9/2014	Racov et al.	
D720,970 S	1/2015	Hermann		2015/0010199 A1	1/2015	Kim et al.	
8,925,206 B2	1/2015	Cigarini		2015/0101199 A1	4/2015	Cigarini	
D727,116 S	4/2015	Tinius		2015/0223395 A1	8/2015	Pellenc et al.	
D727,695 S	4/2015	Tinius		2015/0289446 A1	10/2015	Duvall	
D759,445 S	6/2016	Tinius		2015/0327436 A1	11/2015	Skinner et al.	
D763,640 S	8/2016	Cigarini et al.		2015/0366131 A1 *	12/2015	Skinner .....	A01D 34/4166 30/276
D776,995 S	1/2017	Schoch		2016/0106032 A1	4/2016	Cigarini et al.	
D776,997 S	1/2017	Tinius		2016/0106033 A1	4/2016	Longo et al.	
D796,293 S	9/2017	Alliss		2016/0106034 A1	4/2016	Arnetoli	
2002/0189107 A1	12/2002	Arnetoli		2016/0106035 A1	4/2016	Longo et al.	
2007/0214655 A1	9/2007	Arnetoli		2016/0143219 A1	5/2016	Yuan et al.	
2008/0053052 A1	3/2008	Cigarini		2016/0235001 A1	8/2016	Cigarini et al.	
2009/0172955 A1	7/2009	Morris et al.		2016/0330903 A1	11/2016	Miller et al.	
2010/0154229 A1	6/2010	Iacona		2017/0094900 A1	4/2017	Arnetoli	
2010/0180451 A1	7/2010	Reynolds et al.		2017/0208739 A1	7/2017	Arnetoli	
2011/0000091 A1	1/2011	Pfaltzgraff et al.					

\* cited by examiner

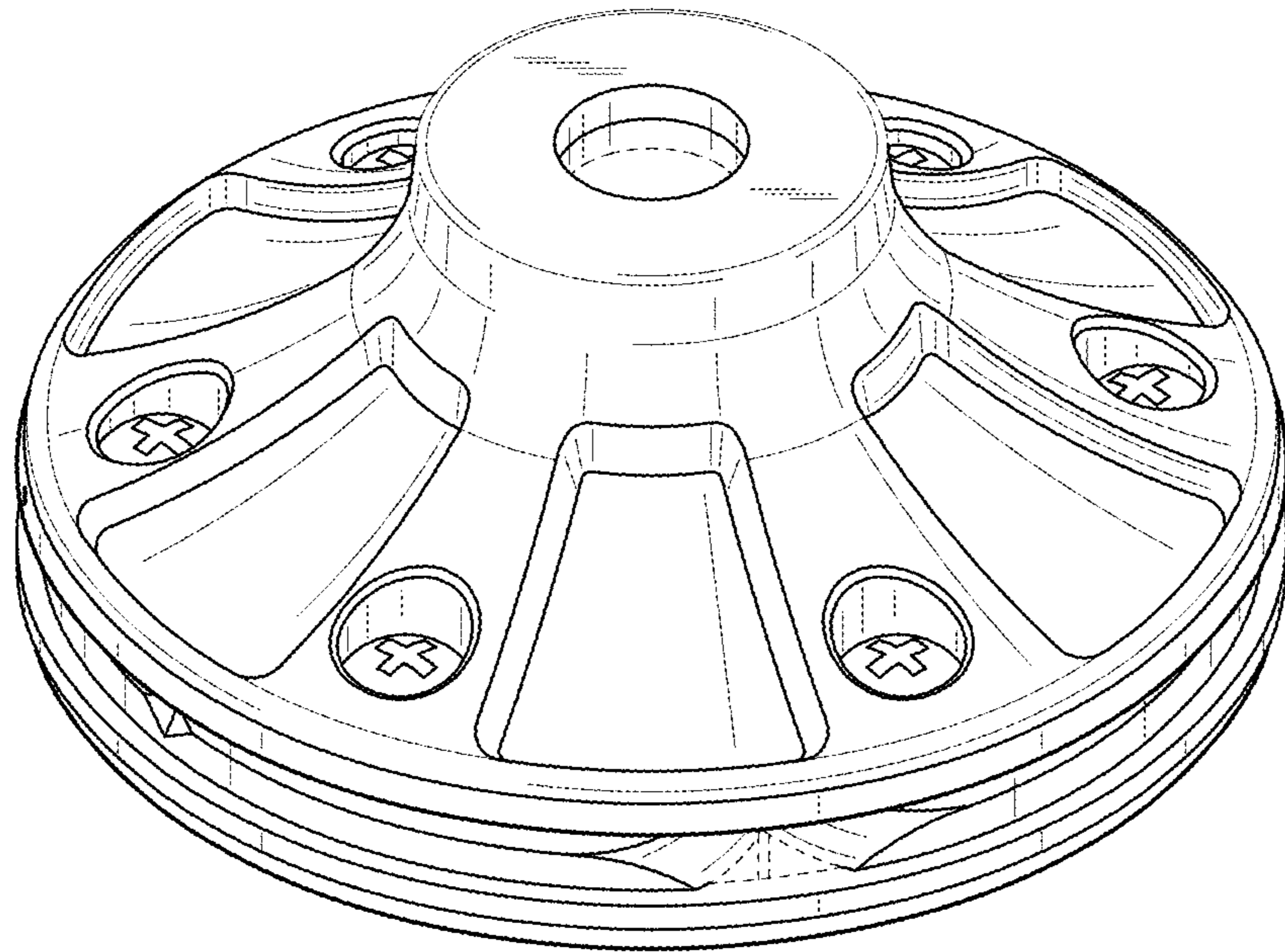


FIG. 1

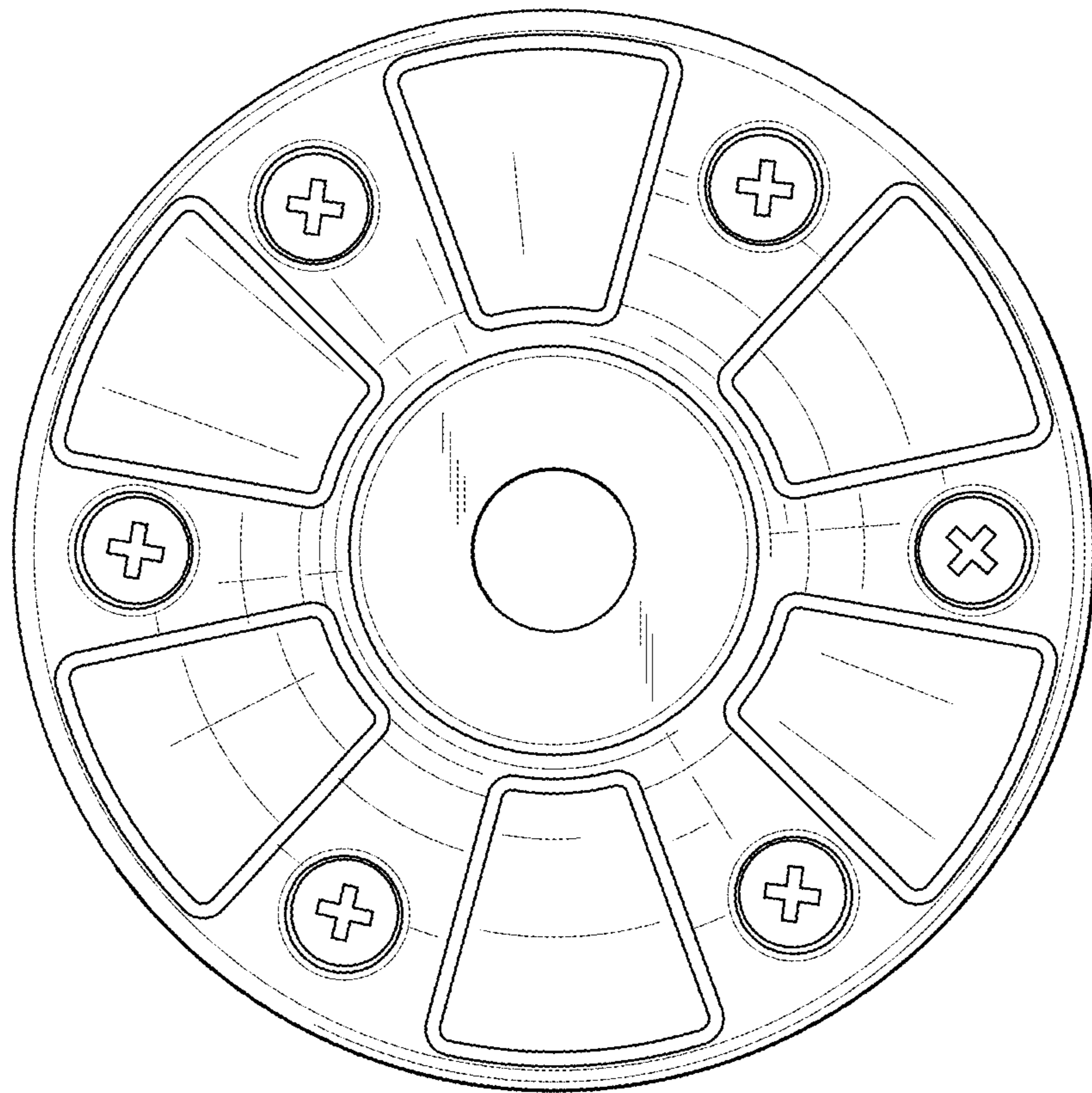


FIG. 2

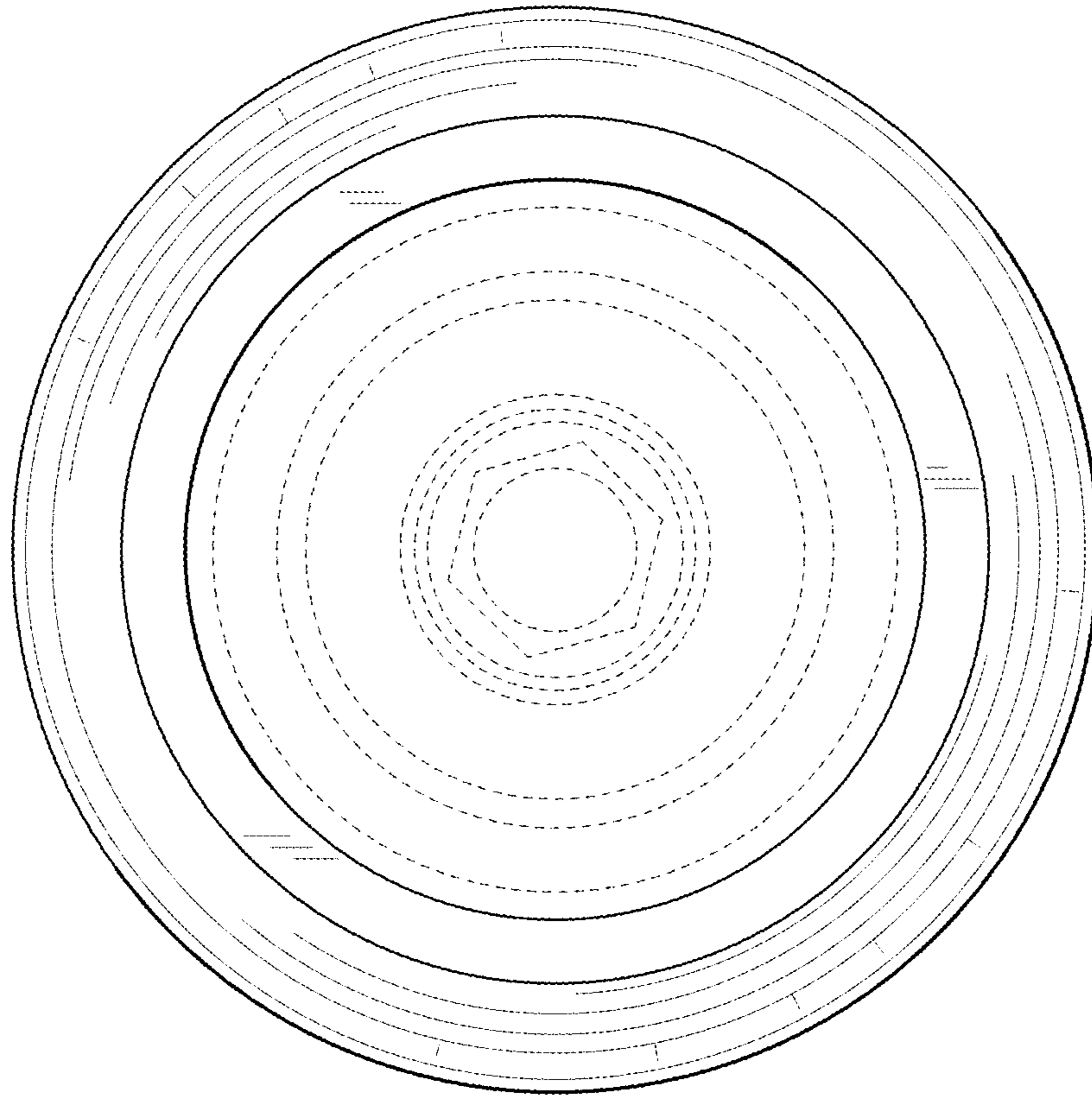


FIG. 3

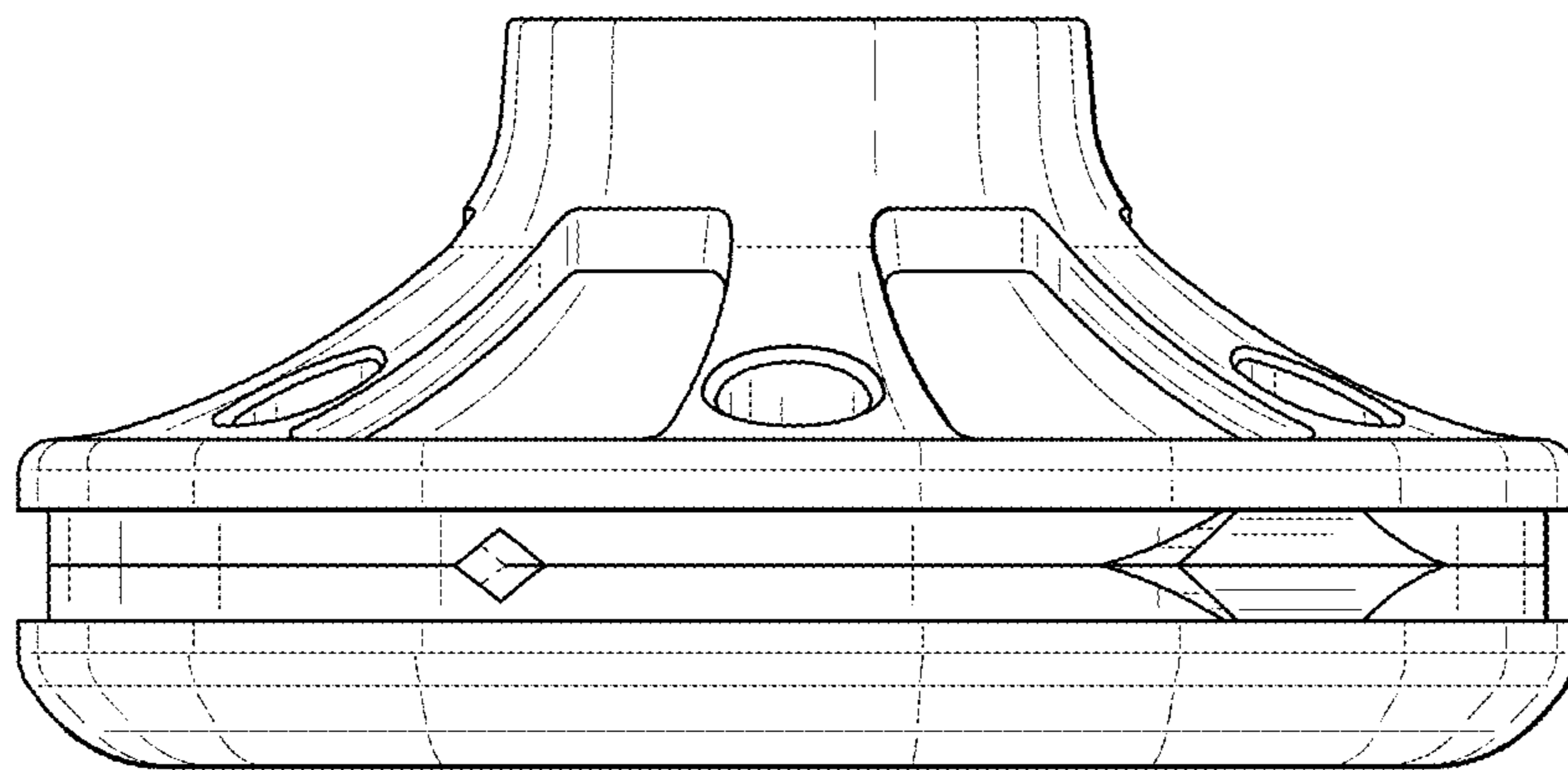


FIG. 4

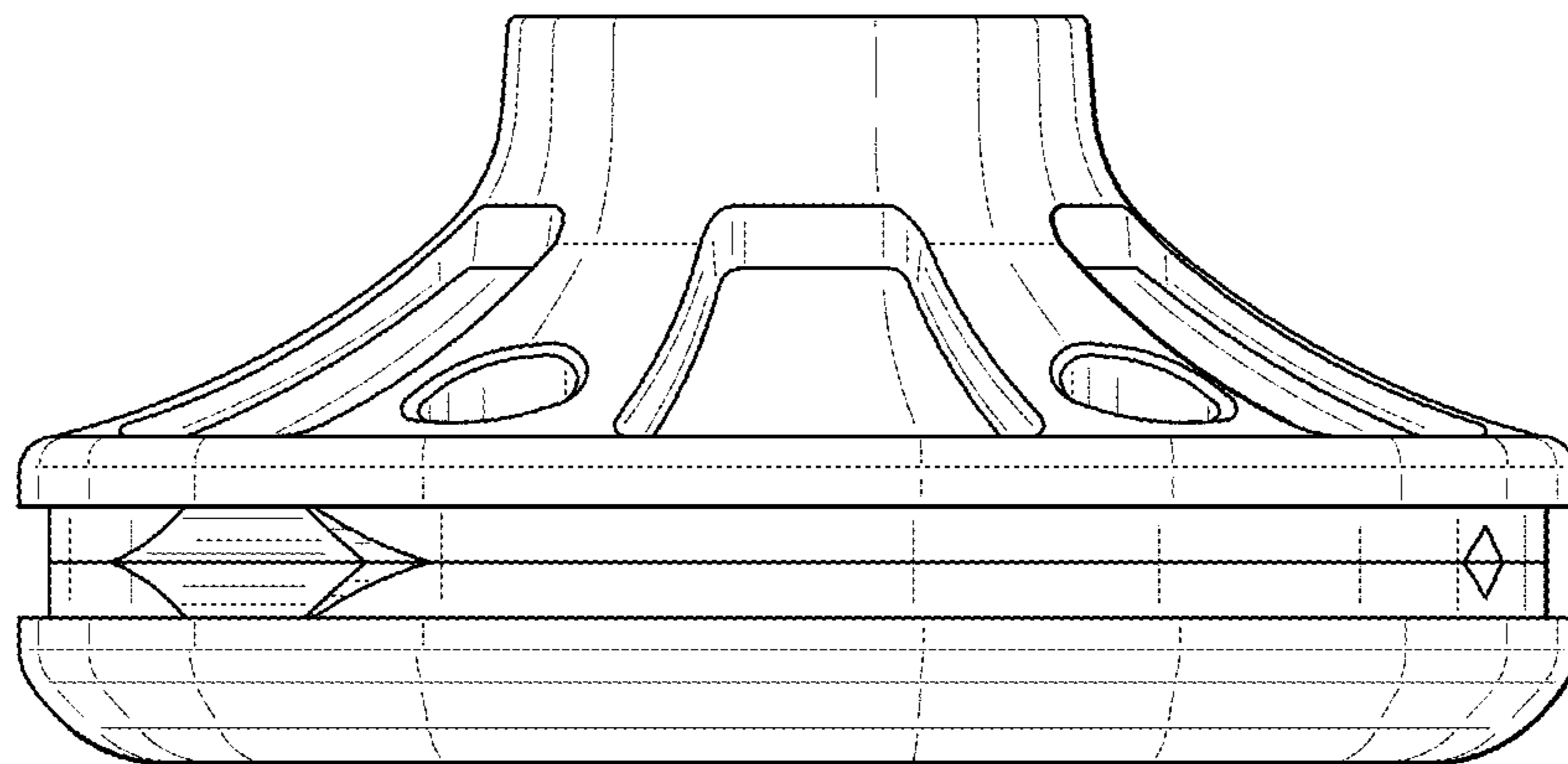


FIG. 5