



US00D826662S

(12) **United States Design Patent** (10) **Patent No.:** **US D826,662 S**  
**Ensworth et al.** (45) **Date of Patent:** **\*\* Aug. 28, 2018**

(54) **EMITTER INLET**  
(71) Applicant: **Rain Bird Corporation**, Azusa, CA (US)  
(72) Inventors: **Mark M. Ensworth**, Orange, CA (US); **Jae Yung Kim**, Los Angeles, CA (US); **Mark Richard Edris**, Glendora, CA (US); **Joseph Nazari**, La Crescenta, CA (US)  
(73) Assignee: **Rain Bird Corporation**, Azusa, CA (US)

2,794,321 A 6/1957 Warner  
2,873,030 A 2/1959 Ashton  
2,970,923 A 2/1961 Sparmann  
3,004,330 A 10/1961 Wilkins  
3,155,612 A 11/1964 Weber  
(Continued)

**FOREIGN PATENT DOCUMENTS**

AU 2004208646 3/2006  
CA 1053726 5/1979  
(Continued)

**OTHER PUBLICATIONS**

Alam, M., et al., "Subsurface Drip Irrigation for Alfalfa," Kansas State University, 2009, pp. 1-8.  
(Continued)

(\*\*) Term: **15 Years**  
(21) Appl. No.: **29/628,441**  
(22) Filed: **Dec. 5, 2017**

**Related U.S. Application Data**

(60) Division of application No. 29/499,053, filed on Aug. 11, 2014, now Pat. No. Des. 811,179, which is a continuation-in-part of application No. 13/964,903, filed on Aug. 12, 2013.  
(51) **LOC (11) Cl.** ..... **08-01**  
(52) **U.S. Cl.**  
USPC ..... **D8/1**  
(58) **Field of Classification Search**  
USPC ..... D8/1; D24/152  
CPC ..... A01G 25/023; A01G 25/026  
See application file for complete search history.

*Primary Examiner* — Sheryl Lane  
(74) *Attorney, Agent, or Firm* — Fitch, Even, Tabin & Flannery, LLP

(57) **CLAIM**

We claim the ornamental design for an emitter inlet, as shown and described.

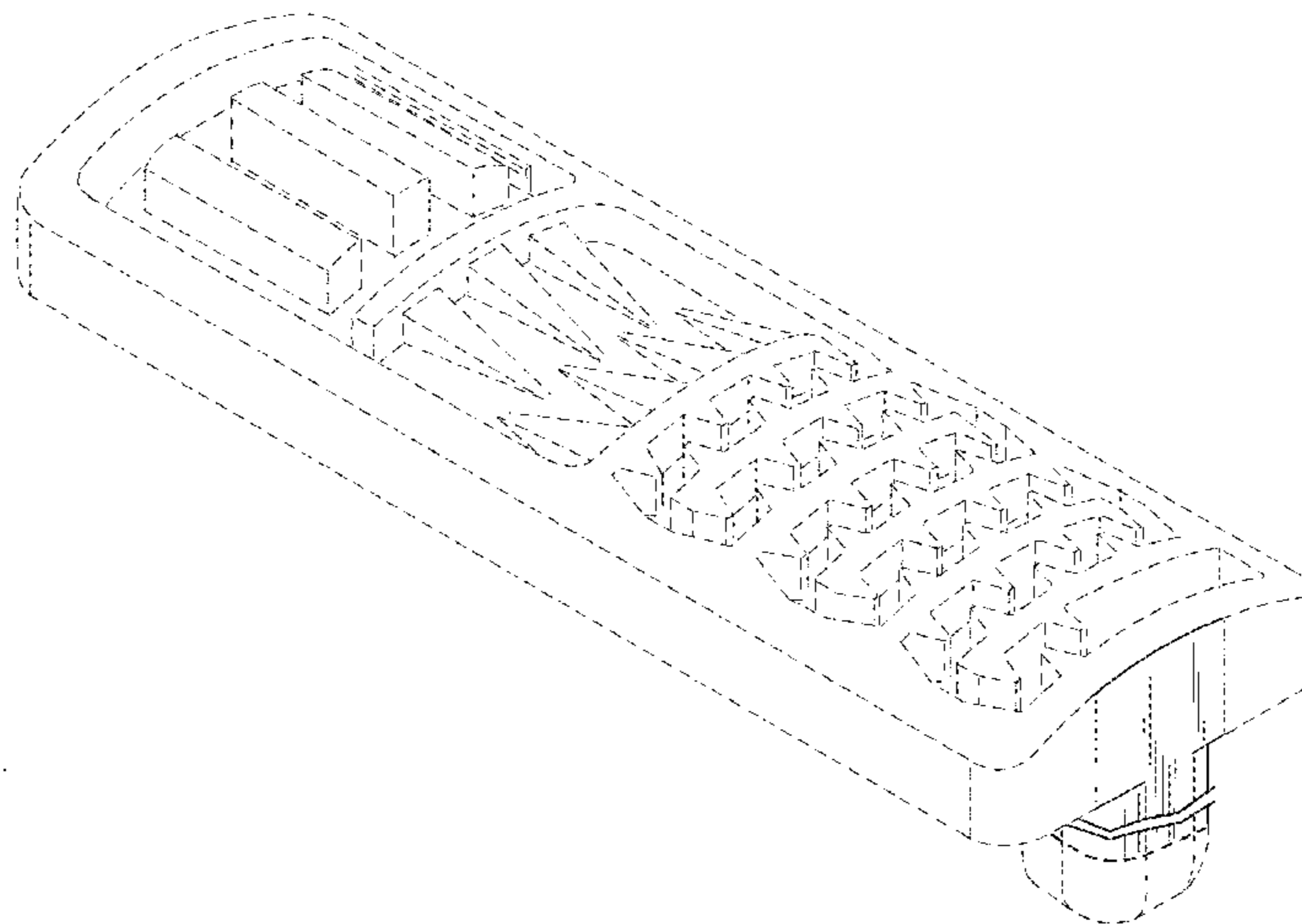
**DESCRIPTION**

FIG. 1 is a perspective view of an emitter inlet in accordance with our new design;  
FIG. 2 is a right side elevation view of the emitter inlet of FIG. 1;  
FIG. 3 is a rear elevation view of the emitter inlet of FIGS. 1-2;  
FIG. 4 is a left side elevation view of the emitter inlet of FIGS. 1-3; and,  
FIG. 5 is a front elevation view of the emitter inlet of FIGS. 1-4.  
The broken lines in the drawings represent environment and form no part of the claimed design.

(56) **References Cited**  
U.S. PATENT DOCUMENTS

2,174,515 A 10/1939 Hughes  
2,449,731 A 9/1948 Therrien  
2,508,403 A 5/1950 Knauss  
2,625,429 A 1/1953 Coles  
2,639,194 A 5/1953 Wahlin  
2,683,061 A 7/1954 Shahnazarian

**1 Claim, 3 Drawing Sheets**



(56)

References Cited

U.S. PATENT DOCUMENTS

3,182,916 A	5/1965	Schulz	4,177,946 A	12/1979	Sahagun-Barragan
3,199,901 A	8/1965	Allan	4,177,947 A	12/1979	Menzel
3,302,450 A	2/1967	Romuald	4,196,853 A	4/1980	Delmer
3,323,550 A	6/1967	Leighton	4,209,133 A	6/1980	Mehouadar
3,361,359 A	1/1968	Chapin	4,210,287 A	7/1980	Mehouadar
3,420,064 A	1/1969	Ischajahu	4,223,838 A	9/1980	Maria-Vittorio-Torrisi
3,426,544 A	2/1969	Robert	4,225,307 A	9/1980	Magera
3,434,500 A	3/1969	Burrows	4,226,368 A	10/1980	Hunter
3,467,142 A	9/1969	Donn	4,235,380 A	11/1980	Delmer
3,586,291 A	6/1971	Malec	4,247,051 A	1/1981	Allport
3,672,571 A	6/1972	Goodricke	4,250,915 A	2/1981	Rikuta
3,693,888 A	9/1972	Christy	4,273,286 A	6/1981	Menzel
3,697,002 A	10/1972	Parkison	4,274,597 A	6/1981	Dobos
3,698,195 A	10/1972	Chapin	4,281,798 A	8/1981	Lemelstrich
3,719,327 A	3/1973	Mcmahan	4,307,841 A	12/1981	Mehouadar
3,729,142 A	4/1973	Leal	4,331,293 A	5/1982	Rangel-Garza
3,753,527 A	8/1973	Galbraith	4,344,576 A	8/1982	Smith
3,777,980 A	12/1973	Allport	4,354,639 A	10/1982	Delmer
3,777,987 A	12/1973	Allport	4,366,926 A	1/1983	Mehouadar
3,779,468 A	12/1973	Spencer	4,369,923 A	1/1983	Bron
3,780,946 A	12/1973	Bowen	4,384,680 A	5/1983	Mehouadar
3,791,587 A	2/1974	Drori	4,385,727 A	5/1983	Spencer
3,797,741 A	3/1974	Spencer	4,385,757 A	5/1983	Muller
3,804,334 A	4/1974	Curry	4,392,616 A *	7/1983	Olson ..... A01G 25/023 239/271
3,807,430 A	4/1974	Keller	4,413,786 A	11/1983	Mehouadar
3,814,377 A	6/1974	Todd	4,413,787 A	11/1983	Gilead
3,815,636 A	6/1974	Menzel	4,424,936 A	1/1984	Marc
RE28,095 E	7/1974	Chapin	4,430,020 A	2/1984	Robbins
3,833,019 A	9/1974	Diggs	4,460,129 A	7/1984	Olson
3,851,896 A	12/1974	Olson	4,473,191 A	9/1984	Chapin
3,856,333 A	12/1974	Cox	4,473,525 A	9/1984	Drori
3,863,845 A	2/1975	Bumpstead	4,502,631 A	3/1985	Christen
3,866,833 A	2/1975	Susumu	4,508,140 A	4/1985	Harrison
3,870,236 A	3/1975	Sahagun-Barragan	4,513,777 A	4/1985	Wright
3,873,030 A	3/1975	Barragan	4,519,546 A	5/1985	Gomey
3,874,598 A	4/1975	Havens	4,522,339 A	6/1985	Costa
3,882,892 A	5/1975	Menzel	4,533,083 A	8/1985	Tucker
3,885,743 A	5/1975	Wake	4,534,515 A	8/1985	Chapin
3,895,085 A	7/1975	Maruyama	4,545,784 A	10/1985	Sanderson
3,896,999 A	7/1975	Barragan	4,572,756 A	2/1986	Chapin
3,903,929 A	9/1975	Mock	4,573,640 A	3/1986	Mehouadar
3,940,066 A	2/1976	Hunter	4,593,857 A	6/1986	Raz
3,948,285 A	4/1976	Flynn	4,613,080 A	9/1986	Benson
3,954,223 A	5/1976	Wichman	4,626,130 A	12/1986	Chapin
3,957,292 A	5/1976	Diggs	4,627,903 A	12/1986	Chapman
3,966,233 A	6/1976	Diggs	4,642,152 A	2/1987	Chapin
3,970,251 A	7/1976	Harmony	4,653,695 A	3/1987	Eckstein
3,973,732 A	8/1976	Diggs	4,687,143 A	8/1987	Gomey
3,981,452 A	9/1976	Eckstein	4,702,787 A	10/1987	Ruskin
3,993,248 A	11/1976	Harmony	4,718,608 A	1/1988	Mehouadar
3,995,436 A	12/1976	Diggs	4,722,481 A	2/1988	Lemkin
3,998,244 A	12/1976	Bentley	4,722,759 A	2/1988	Roberts
3,998,391 A	12/1976	Lemelshtrich	4,726,520 A	2/1988	Brown
3,998,427 A	12/1976	Bentley	4,726,527 A	2/1988	Mendenhall
4,008,853 A	2/1977	Tregillus	4,728,042 A	3/1988	Gomey
4,017,958 A	4/1977	Diggs	4,735,363 A	4/1988	Shfaram
4,022,384 A	5/1977	Hoyle	4,749,130 A	6/1988	Utzinger
4,036,435 A	7/1977	Pecaro	4,753,394 A	6/1988	Goodman
4,037,791 A	7/1977	Mullett	4,756,339 A	7/1988	Buluschek
4,047,995 A	9/1977	Leal-Diaz	4,765,541 A	8/1988	Mangels
4,058,257 A	11/1977	Spencer	4,775,046 A	10/1988	Gramarossa
4,059,228 A	11/1977	Werner	4,781,217 A	11/1988	Rosenberg
4,077,570 A	3/1978	Harmony	4,789,005 A	12/1988	Griffiths
4,077,571 A	3/1978	Harmony	4,796,660 A	1/1989	Bron
4,084,749 A	4/1978	Drori	4,807,668 A	2/1989	Roberts
4,092,002 A	5/1978	Grosse	4,817,875 A	4/1989	Karmeli
4,095,750 A	6/1978	Gilead	4,824,019 A	4/1989	Lew
4,105,162 A	8/1978	Drori	4,824,025 A	4/1989	Miller
4,121,771 A	10/1978	Hendrickson	4,850,531 A	7/1989	Littleton
4,122,590 A	10/1978	Spencer	4,856,552 A	8/1989	Hiemstra
4,132,364 A	1/1979	Harmony	4,859,264 A	8/1989	Buluschek
4,134,550 A	1/1979	Bright	4,874,132 A	10/1989	Gilead
4,143,820 A	3/1979	Bright	4,880,167 A	11/1989	Langa
4,160,323 A	7/1979	Tracy	4,900,437 A	2/1990	Savall
4,161,291 A	7/1979	Bentley	4,909,411 A	3/1990	Uchida
			4,948,295 A	8/1990	Pramsoler
			4,984,739 A	1/1991	Allport
			5,022,940 A	6/1991	Mehouadar



(56)

References Cited

U.S. PATENT DOCUMENTS

5,031,837 A	7/1991	Hanish	5,820,029 A	10/1998	Marans	
5,040,770 A	8/1991	Rajster	5,829,685 A	11/1998	Cohen	
5,052,625 A	10/1991	Ruskin	5,829,686 A	11/1998	Cohen	
5,096,206 A	3/1992	Andre	5,855,324 A	1/1999	DeFrank	
5,111,995 A	5/1992	Dumitrascu	5,865,377 A	2/1999	DeFrank	
5,111,996 A	5/1992	Eckstein	5,871,325 A	2/1999	Schmidt	
5,116,414 A	5/1992	Burton	5,875,815 A	3/1999	Ungerecht	
5,118,042 A	6/1992	Delmer	5,898,019 A	4/1999	Van Voris	
5,122,044 A	6/1992	Mehoudar	5,944,260 A	8/1999	Wang	
5,123,984 A	6/1992	Allport	5,957,391 A *	9/1999	DeFrank	A01G 25/023 239/542
5,137,216 A	8/1992	Hanish	5,972,375 A	10/1999	Truter	
5,141,360 A	8/1992	Zeman	6,015,102 A *	1/2000	Daigle	A01G 25/023 239/542
5,163,622 A	11/1992	Cohen	6,026,850 A	2/2000	Newton	
5,181,952 A	1/1993	Burton	6,027,048 A *	2/2000	Mehoudar	A01G 25/023 138/42
5,183,208 A	2/1993	Cohen	6,039,270 A	3/2000	Dermitzakis	
5,192,027 A	3/1993	Delmer	6,062,245 A	5/2000	Berglind	
5,200,132 A	4/1993	Shfaram	6,095,185 A	8/2000	Rosenberg	
5,203,503 A	4/1993	Cohen	6,109,296 A	8/2000	Austin	
5,207,386 A	5/1993	Mehoudar	6,116,523 A	9/2000	Cabahug	
5,232,159 A	8/1993	Abbate	6,120,634 A	9/2000	Harrold	
5,232,160 A	8/1993	Hendrickson	6,179,949 B1	1/2001	Buluschek	
5,236,130 A	8/1993	Hadar	6,180,162 B1	1/2001	Shigeru	
5,246,171 A	9/1993	Roberts	6,206,305 B1	3/2001	Mehoudar	
5,252,162 A	10/1993	Delmer	6,213,408 B1	4/2001	Shekalim	
5,253,807 A	10/1993	Newbegin	6,238,081 B1	5/2001	Sand	
5,271,786 A	12/1993	Gorney	6,250,571 B1 *	6/2001	Cohen	A01G 25/023 239/542
5,279,462 A	1/1994	Mehoudar	6,280,554 B1	8/2001	Lambert	
5,282,578 A	2/1994	De Frank	6,302,338 B1	10/2001	Cohen	
5,282,916 A	2/1994	Bloom	6,308,902 B1	10/2001	Huntley	
5,283,916 A	2/1994	Haro	6,334,958 B1	1/2002	Ruskin	
5,294,058 A	3/1994	Einav	6,343,616 B1	2/2002	Houtchens	
5,310,438 A	5/1994	Ruskin	D455,055 S *	4/2002	Roberts	D23/266
5,314,116 A	5/1994	Krauth	6,371,390 B1	4/2002	Cohen	
5,316,220 A	5/1994	Dinur	6,382,530 B1	5/2002	Perkins	
5,318,657 A	6/1994	Roberts	6,394,412 B2	5/2002	Zakai	
5,324,371 A	6/1994	Mehoudar	6,403,013 B1	6/2002	Man	
5,324,379 A	6/1994	Eckstein	6,449,872 B1	9/2002	Olkku	
5,327,941 A	7/1994	Bitsakis	6,460,786 B1	10/2002	Roberts	
5,330,107 A	7/1994	Karathanos	6,461,468 B1	10/2002	Cohen	
5,332,160 A	7/1994	Ruskin	6,461,486 B2	10/2002	Lorincz	
5,333,793 A	8/1994	DeFrank	6,464,152 B1	10/2002	Bolinis	
5,337,597 A	8/1994	Peake	6,499,687 B2	12/2002	Bryant	
5,353,993 A	10/1994	Rosenberg	6,499,872 B2	12/2002	Sand	
5,364,032 A	11/1994	De Frank	6,513,734 B2	2/2003	Bertolotti	
5,399,160 A	3/1995	Dunberger	6,543,509 B1	4/2003	Harrold	
5,400,973 A	3/1995	Cohen	6,557,819 B2	5/2003	Austin	
5,413,282 A	5/1995	Boswell	6,561,443 B2	5/2003	Delmer	
5,441,203 A	8/1995	Swan	6,568,607 B2 *	5/2003	Boswell	A01G 25/023 239/542
5,442,001 A	8/1995	Jones	6,581,262 B1	6/2003	Myers	
5,443,212 A	8/1995	Dinur	6,581,854 B2	6/2003	Eckstein	
5,449,250 A	9/1995	Burton	6,581,902 B2	6/2003	Michau	
5,522,551 A	6/1996	DeFrank	6,620,278 B1	9/2003	Harrold	
5,531,381 A	7/1996	Ruttenberg	6,622,427 B2	9/2003	Breitner	
5,535,778 A	7/1996	Zakai	6,622,946 B2	9/2003	Held	
5,584,952 A	12/1996	Rubenstein	6,691,739 B2	2/2004	Rosenberg	
5,586,727 A	12/1996	Shekalim	6,736,337 B2	5/2004	Vildibill	
5,591,293 A	1/1997	Miller	6,750,760 B2	6/2004	Albritton	
5,601,381 A	2/1997	Hadar	6,764,029 B2	7/2004	Rosenberg	
5,609,303 A	3/1997	Cohen	6,817,548 B2	11/2004	Krauth	
5,615,833 A	4/1997	Robillard	6,821,928 B2	11/2004	Ruskin	
5,615,838 A	4/1997	Eckstein	6,827,298 B2	12/2004	Sacks	
5,620,143 A	4/1997	Delmer	6,830,203 B2	12/2004	Neyestani	
5,628,462 A	5/1997	Miller	6,875,491 B2	4/2005	Miyamoto	
5,634,594 A	6/1997	Cohen	6,886,761 B2	5/2005	Cohen	
5,636,797 A	6/1997	Cohen	6,894,250 B2	5/2005	Kertscher	
5,641,113 A	6/1997	Somaki	6,896,758 B1	5/2005	Giuffre'	
5,673,852 A	10/1997	Roberts	6,920,907 B2	7/2005	Harrold	
5,676,897 A	10/1997	Dermitzakis	6,933,337 B2	8/2005	Lang	
5,695,127 A	12/1997	Delmer	6,936,126 B2	8/2005	DeFrank	
5,722,601 A	3/1998	DeFrank	6,945,476 B2	9/2005	Giuffre	
5,732,887 A	3/1998	Roberts	6,996,932 B2	2/2006	Kruer	
5,744,423 A	4/1998	Van Voris	6,997,402 B2	2/2006	Kruer	
5,744,779 A	4/1998	Buluschek	7,048,010 B2	5/2006	Golan	
5,785,785 A	7/1998	Delmer	7,108,205 B1	9/2006	Hashimshony	
5,820,028 A	10/1998	Dinur				



(56)

References Cited

U.S. PATENT DOCUMENTS

7,175,113 B2	2/2007	Cohen		9,894,851 B2	2/2018	Desarzens	
7,241,825 B2	7/2007	Koga		2002/0064935 A1	5/2002	Honda	
7,270,280 B2	9/2007	Belford		2002/0070297 A1	6/2002	Bolinis	
7,300,004 B2	11/2007	Sinden		2002/0074434 A1	6/2002	Delmer	
7,363,938 B1	4/2008	Newton		2002/0088877 A1	7/2002	Bertolotti	
7,392,614 B2	7/2008	Kruer		2002/0104902 A1	8/2002	Eckstein	
7,410,108 B2	8/2008	Rabinowitz		2002/0104903 A1*	8/2002	Eckstein	A01G 25/023
7,445,021 B2	11/2008	Newton					239/542
7,445,168 B2	11/2008	Ruskin		2002/0113147 A1	8/2002	Huntley	
7,455,094 B2	11/2008	Lee		2003/0029937 A1	2/2003	Dermitzakis	
7,530,382 B2	5/2009	Kertscher		2003/0042335 A1	3/2003	Krauth	
7,648,085 B2	1/2010	Mavrakis		2003/0050372 A1	3/2003	Stanhope	
7,681,805 B2*	3/2010	Belford	A01G 25/023	2003/0057301 A1	3/2003	Cohen	
			239/11	2003/0089409 A1	5/2003	Morimoto	
7,681,810 B2	3/2010	Keren		2003/0090369 A1	5/2003	Albritton	
7,695,587 B2	4/2010	Kertscher		2003/0092808 A1	5/2003	Stanhope	
7,735,758 B2*	6/2010	Cohen	A01G 25/023	2003/0140977 A1	7/2003	Berton	
			239/542	2003/0150940 A1	8/2003	Vildibill	
7,775,237 B2	8/2010	Keren		2003/0226913 A1	12/2003	Brunnengraeber	
7,802,592 B2	9/2010	McCarty		2004/0018263 A1	1/2004	Hashimshony	
7,887,664 B1	2/2011	Mata		2004/0164185 A1	8/2004	Giuffre	
7,954,732 B2	6/2011	Shekalim		2005/0029231 A1	2/2005	Kertscher	
7,988,076 B2	8/2011	Mamo		2005/0077396 A1	4/2005	Rabinowitz	
8,002,496 B2	8/2011	Giuffre		2005/0103409 A1	5/2005	Weber	
8,033,300 B2	10/2011	McCarty		2005/0133613 A1	6/2005	Mayer	
D648,191 S*	11/2011	Thayer	D23/214	2005/0224607 A1	10/2005	Dinur	
8,079,385 B2	12/2011	Hatton		2005/0224962 A1	10/2005	Akamatsu	
8,091,800 B2	1/2012	Retter		2005/0258278 A1*	11/2005	Cohen	A01G 25/023
8,096,491 B2	1/2012	Lutzki					239/542
8,136,246 B2*	3/2012	So	B26F 1/0053	2005/0258279 A1	11/2005	Harrold	
			239/11	2005/0279866 A1	12/2005	Belford	
8,141,589 B2*	3/2012	Socolsky	A01G 25/023	2005/0284966 A1*	12/2005	DeFrank	A01G 25/023
			138/42				239/542
D657,638 S*	4/2012	Einav	D8/1	2006/0032949 A1	2/2006	Lo	
8,267,115 B2	9/2012	Giuffre'		2006/0043219 A1	3/2006	Raanan	
8,286,667 B2	10/2012	Ruskin		2006/0144965 A1	7/2006	Keren	
8,302,887 B2	11/2012	Park		2006/0163388 A1	7/2006	Mari	
8,317,111 B2	11/2012	Cohen		2006/0169805 A1	8/2006	Dabir	
8,372,326 B2	2/2013	Mamo		2006/0186228 A1*	8/2006	Belford	A01G 25/023
8,381,437 B2	2/2013	Ciudaj					239/542
8,439,282 B2	5/2013	Allen		2006/0202381 A1	9/2006	Bach	
8,454,786 B2	6/2013	Guichard		2006/0237561 A1	10/2006	Park	
8,469,294 B2	6/2013	Mata		2006/0255186 A1	11/2006	Ruskin	
8,475,617 B2	7/2013	Kertscher		2007/0095950 A1	5/2007	Kim	
8,511,585 B2	8/2013	Keren		2007/0108318 A1	5/2007	Mamo	
8,511,586 B2	8/2013	Einav		2007/0138323 A1	6/2007	Lee	
8,628,032 B2	1/2014	Feith		2007/0187031 A1	8/2007	Kertscher	
8,663,525 B2	3/2014	Mamo		2007/0194149 A1	8/2007	Mavrakis	
8,689,484 B2	4/2014	Ruskin		2008/0041978 A1	2/2008	Keren	
8,714,205 B2	5/2014	Loebinger		2008/0067266 A1*	3/2008	Cohen	A01G 25/023
8,763,934 B2	7/2014	Patel					239/542
8,870,098 B2	10/2014	Lutzki		2008/0099584 A1	5/2008	Raanan	
8,882,004 B2	11/2014	Gorney		2008/0105768 A1	5/2008	Kertscher	
8,998,112 B2	4/2015	Cohen		2008/0190256 A1	8/2008	So	
8,998,113 B2	4/2015	Keren		2008/0237374 A1	10/2008	Belford	
9,022,059 B2	5/2015	Cohen		2008/0257991 A1	10/2008	Einav	
9,022,764 B2	5/2015	Wisler		2009/0020634 A1	1/2009	Schweitzer	
9,027,856 B2	5/2015	DeFrank		2009/0145985 A1	6/2009	Mayer	
D740,940 S*	10/2015	Fregoso	D24/152	2009/0159726 A1	6/2009	Thompson	
9,192,108 B2	11/2015	Kertscher		2009/0165879 A1*	7/2009	Socolsky	A01G 25/023
9,253,950 B1	2/2016	Clark					138/42
9,258,950 B2	2/2016	Kidachi		2009/0173811 A1*	7/2009	Gorney	A01G 25/023
9,345,205 B2*	5/2016	Kidachi	A01G 25/023				239/542
9,380,749 B2	7/2016	Akritanakis		2009/0243146 A1	10/2009	Retter	
9,386,752 B2*	7/2016	Einav	A01G 25/023	2009/0261183 A1	10/2009	Mavrakis	
9,433,157 B2	9/2016	Dermitzakis		2009/0266919 A1	10/2009	Mavrakis	
9,439,366 B2	9/2016	Kidachi		2009/0283613 A1	11/2009	Barkai	
9,485,923 B2	11/2016	Ensworth		2009/0302127 A1*	12/2009	Lutzki	A01G 25/023
D781,115 S	3/2017	Einav					239/11
9,695,965 B2	7/2017	Hadas		2009/0314377 A1	12/2009	Giuffre	
9,814,189 B1	11/2017	Clark		2009/0320932 A1	12/2009	Giuffre	
9,872,444 B2	1/2018	Turk		2010/0023717 A1	1/2010	Jinno	
9,877,440 B2*	1/2018	Ensworth	A01G 25/023	2010/0096478 A1	4/2010	Mamo	
9,877,441 B2*	1/2018	Ensworth	A01G 25/023	2010/0096479 A1	4/2010	Mamo	
D811,179 S*	2/2018	Ensworth	D8/1	2010/0108785 A1	5/2010	Lee	
				2010/0126974 A1	5/2010	Kertscher	
				2010/0155508 A1	6/2010	Keren	
				2010/0163651 A1	7/2010	Feith	



(56)

References Cited

U.S. PATENT DOCUMENTS

2010/0175408	A1	7/2010	Korda
2010/0219265	A1	9/2010	Feld
2010/0237170	A1	9/2010	Rosenberg
2010/0244315	A1	9/2010	Mamo
2010/0252126	A1	10/2010	Roes
2010/0252127	A1	10/2010	Gross
2010/0282873	A1	11/2010	Mattlin
2011/0186652	A1	8/2011	Cohen
2011/0226354	A1	9/2011	Thordarson
2012/0012678	A1	1/2012	Gregory
2012/0012682	A1	1/2012	Einav
2012/0074345	A1	3/2012	Hatton
2012/0097254	A1	4/2012	Cohen
2012/0097769	A1	4/2012	Zavoli
2012/0104648	A1	5/2012	Yiflach
2012/0126036	A1	5/2012	Patel
2012/0199673	A1	8/2012	Cohen
2012/0267454	A1	10/2012	Einav
2013/0181066	A1	7/2013	Dermitzakis
2013/0248616	A1	9/2013	Ensworth
2013/0248622	A1	9/2013	Kim
2013/0341431	A1	12/2013	Ensworth
2014/0027539	A1	1/2014	Kim
2014/0034753	A1	2/2014	Mavrakis
2014/0110506	A1	4/2014	Mavrakis
2014/0246520	A1	9/2014	Einav
2014/0263758	A1	9/2014	Turk
2015/0014446	A1	1/2015	Cohen
2015/0041563	A1*	2/2015	Ensworth ..... A01G 25/023 239/542
2015/0041564	A1	2/2015	Ensworth
2015/0090815	A1	4/2015	Akritanakis
2015/0090816	A1	4/2015	Akritanakis
2015/0107777	A1	4/2015	Zakarian
2015/0144717	A1	5/2015	Turk
2015/0181816	A1	7/2015	Desarzens
2015/0201568	A1	7/2015	Einav
2015/0223414	A1	8/2015	Kidachi
2015/0250111	A1	9/2015	Kidachi
2015/0296723	A1	10/2015	Jain
2015/0319940	A1	11/2015	Kidachi
2015/0351333	A1	12/2015	Eberle
2016/0057947	A1	3/2016	Ensworth
2016/0075070	A1	3/2016	Verelis
2016/0076965	A1	3/2016	Edris
2016/0088806	A1	3/2016	Haub
2016/0198643	A1	7/2016	Cohen
2016/0219802	A1	8/2016	Ensworth
2016/0219803	A1	8/2016	Keren
2016/0223092	A1	8/2016	Hadas
2016/0286741	A1	10/2016	Kidachi
2016/0286743	A1	10/2016	Einav
2016/0309669	A1	10/2016	Kidachi
2016/0330917	A1	11/2016	Kidachi
2017/0035005	A1	2/2017	Kidachi
2017/0035006	A1	2/2017	Kim
2017/0112078	A1	4/2017	Ensworth
2017/0142916	A1	5/2017	Shamshery
2017/0205013	A1	7/2017	Smith
2017/0292646	A1	10/2017	Hadas

FOREIGN PATENT DOCUMENTS

CN	102057823	5/2011
CN	201821716	5/2011
CN	201871438	6/2011
DE	112706	5/1975
DE	3525591	1/1986
EP	0344605	A2 12/1989
EP	0444425	A1 9/1991
EP	0480632	A2 4/1992
EP	0549515	A1 6/1993
EP	636309	A1 2/1995
EP	0709020	A1 5/1996

EP	0730822	A2 9/1996
EP	493299	5/1997
EP	0872172	A1 10/1998
FR	2366790	5/1978
GB	1498545	1/1978
GB	2057960	A 4/1981
IL	53463	A 3/1983
IL	97564	A 7/1996
IT	1255120	10/1995
JP	2000228417	8/2000
RU	2415565	4/2011
WO	9205689	A1 4/1992
WO	9221228	A1 12/1992
WO	9427728	A1 12/1994
WO	9614939	5/1996
WO	9810635	A1 3/1998
WO	9902273	A1 1/1999
WO	9918771	A1 4/1999
WO	9955141	A1 11/1999
WO	0001219	A1 1/2000
WO	0010378	A1 3/2000
WO	030760	6/2000
WO	136106	A1 5/2001
WO	0204130	A1 1/2002
WO	2002015670	2/2002
WO	2003045577	A1 6/2003
WO	2003066228	A1 8/2003
WO	2004028778	A1 4/2004
WO	2007046105	10/2005
WO	2006030419	A2 3/2006
WO	2006038246	4/2006
WO	2007068523	A1 6/2007
WO	2010048063	4/2010
WO	2011092557	8/2011
WO	2013148672	10/2013
WO	2013155173	A2 10/2013
WO	2013192321	12/2013
WO	2015023624	2/2015
WO	2015098412	7/2015
WO	2016156814	10/2016

OTHER PUBLICATIONS

Alapati, Nanda K., Netafim Letter dated Mar. 30, 2012 with enclosure and attachments, 13 pages.

Alapati, Nanda K., Netafim Letter dated Mar. 30, 2012 with enclosure, 6 pages.

Arduini, I., et al., "Influence of Copper on Root Growth and Morphology of Pinus Pinea L. and Pinus Pinaster Ait. Seedlings," Tree Physiology, 15, 1995, pp. 411-415.

ASME 2015 International Design Engineering Technical Conferences & Computers and Information in Engineering Conference, K. Taylor et al, "A Mathematical Model for Pressure Compensating Emitters", Aug. 2-5, 2015, Boston, Massachusetts, USA, 10 pp.

Bernard, H., et al., "Assessment of herbicide leaching risk in two tropical soils of Reunion Island (France)," J Environ Qual 34:534-543, (2005).

Beverage, K., "Drip Irrigation for Row Crops," New Mexico State University, 2001, pp. 1-43.

Borkow, G., et al., "A Novel Anti-Influenza Copper Oxide Containing Respiratory Face Mask," PLoS One, www.plosone.org, Jun. 2010, vol. 5, Issue 6, pp. 1-8.

Borkow, G., et al., "Copper as a Biocidal Tool," Current Medicinal Chemistry, 2005, 12, 2163-2175.

Borkow, G., et al., "Endowing Textiles with Permanent Potent Biocidal Properties by Impregnating Them with Copper Oxide," ResearchGate, Jan. 2006.

Borkow, G., et al., "Putting copper into action:copperimpregnated products with potent biocidal activities," FASEB J, 18:1728-1730, (2004).

Coder, K., "Tree Root Growth Control Series: Root Control Barriers," The University of Georgia, Mar. 1998, pp. 1-7.

Crawford, M., "Copper-Coated Containers and Their Impact on the Environment," Spin Out, 2003, pp. 76-78.

Crawford, M., "Update on Copper Root Control," Spin Out, 1997.



(56)

## References Cited

## OTHER PUBLICATIONS

Diver, S., et al., "Sustainable Small-Scale Nursery Production," ATTRA, Nov. 2001, pp. 1-31.

Duke, K., et al., "Sewer Line Chemical Root Control with Emphasis on Foaming Methods Using Metam-Sodium and Dichlobenil," EPA United States Environmental Protection Agency, Sep. 1995.

Eason, Audra, et al., "Integrated modeling environment for state-wide assessment of groundwater vulnerability from pesticide use in agriculture," *Pest Manag Sci*, 60:739-745 (online:2004).

European Patent Office, Communication Pursuant to Article 94(3) EPC issued in European Application No. 14 836 360.9, dated Feb. 8, 2017, 7 pp.

European Patent Office, Extended European Search Report for European Application No. 13770084.5 dated Feb. 11, 2016, 7 pages.

European Patent Office, Extended European Search Report issued in Application No. 13768209.2, dated Nov. 24, 2015, 10 pages.

European Patent Office, Office Action for European Application No. 10160675.4 dated Mar. 27, 2012, 2 pages.

European Patent Office, Search Report for European Application No. 10160675.4 dated Aug. 6, 2010, 2 pp.

Final Office Action dated Aug. 25, 2015; U.S. Appl. No. 13/430,308; 11 pages.

Final Office Action dated Jul. 21, 2016; U.S. Appl. No. 13/430,308; 9 pages.

Fitch, Even, Tabin & Flannery; Letter, Apr. 23, 2008, 1 p.

Giles-Parker, C, EPA, Pesticide Fact Sheet, pp. 1-4.

<http://aasystems.eu/dripper/>; Advanced Automation Systems Ltd., Dec. 18, 2015, 12 pp.

<http://aasystems.eu/products11.html>; Advanced Automation Systems Ltd. (1 p., dated Jun. 20, 2013).

<http://metzerplas.com/en-US/50/845/>; Meterplas Cooperative Agricultural Organization Ltd., (2 pp., dated Jun. 20, 2013).

Jaffe, E., Netafim Ltd., Patent Dept., Letter with attached Appendices A-B, Aug. 1, 2010, 35 pages.

Jaffe, E., Netafim Ltd., Patent Dept., Letter with attached claim charts, Feb. 4, 2008, 6 pages.

Jaffe, E., Netafim Ltd., Patent Dept., Letter with attached claim charts, Jul. 12, 2009, 4 pages.

Jaffe, E., Netafim Ltd., Patent Dept., Letter with attachment, Feb. 4, 2008, 7 pages.

Jaffe, E., Netafim, Ltd., Patent Dept., Letter with attached invoice, May 7, 2008, 2 pages.

Jiang, W. et al., "Effects of Copper on Root Growth, Cell Division, and Nucleolus of *Zea mays*," *Biologic Plantarum*, 44(1), 2001, pp. 105-109.

Kuhns, L. et al., "Copper Toxicity in Woody Ornamentals," *Journal of Arboriculture*, Apr. 1976, pp. 68-78.

Mastin, B.J., et al., "Toxicity and bioavailability of copper herbicides (Clearigate, Cutrine-Plus, and copper sulfate) to freshwater animals," *Arch Environ Contam Toxicol*, 39:445-451, (2000).

Murray-Gulde, C.L., et al., "Algicidal effectiveness of Clearigate, Cutrine-Plus, and copper sulfate and margins of safety associated with their use," *Arch Environ Contam Toxicol* 42:19-27, (2002).

Netafim International—Netafim USA—Internet site, 2003, 5 pages. Netafim Ltd., Appendix A, images of Netafim's Drip Net product, 1 page.

Netafim Ltd., Appendix A, marked-up images of Netafim's Ram product, 1 page.

Netafim Ltd., Appendix B, Invoice, Jan. 31, 1991, 1 page.

Netafim Ltd., Appendix C, Netafim RAM Catalog, Jan. 2000, 4 pages.

Netafim Ltd., Appendix D, Enlarged, marked-up excerpts from Netafim RAM Catalog, Jan. 2000, 1 page.

Netafim USA, RAM Catalog Figures, Jan. 2000, 4 pages.

Netafim USA, Triton X Heavywall Dripperline Catalog, May 2007, 8 pages.

Non-Final Office Action dated Feb. 11, 2016; U.S. Appl. No. 13/430,308; 9 pages.

Patent Cooperation Treaty, Application No. PCT/US2013/033866, International Search Report and Written Opinion dated Jun. 19, 2013, 38 pp.

Patent Cooperation Treaty, International Search Report issued in International Application No. PCT/US2013/046603, dated Sep. 19, 2013, 2 pp.

Patent Cooperation Treaty, International Searching Authority, Notification of Transmittal of the International Search Report and the Written Opinion of the International Searching Authority, or the Declaration, issued in International Application No. PCT/US/2014/054533, dated Dec. 25, 2014, 9 pp.

Patent Cooperation Treaty, Notification of Transmittal of the International Search Report and the Written Opinion of the International Searching Authority issued in International Application No. PCT/US2013/033668, dated Jun. 17, 2013, 10 pp.

Patent Cooperation Treaty, Notification of Transmittal of the International Search Report and the Written Opinion of the International Searching Authority issued in International Application No. PCT/US2014/050623, Nov. 20, 2014, 17 pp.

Patent Cooperation Treaty, Notification of Transmittal of the International Search Report and the Written Opinion of the International Searching Authority, or the Declaration, Issued in International Application No. PCT/US2017042378, dated Oct. 26, 2017, 7 pp.

Patent Cooperation Treaty, Written Opinion of the International Searching Authority issued in International Application No. PCT/US2013/046603, dated Sep. 19, 2013, 4 pp.

PCT International Application No. PCT/US2013/033866 filed Mar. 26, 2013.

Rain Bird Corporation, Agriculture Irrigation Equipment 1981 Catalog, 3 pages.

Rain Bird Corporation, Drip Watering System 1994 Catalog, 1993, 16 pages.

Rain Bird Corporation, Landscape Irrigation Products 1993-1994 Catalog, Feb. 1993, 5 pages.

Rain Bird Corporation, Landscape Irrigation Products 1993-1994 Catalog, p. 120, Feb. 1993, 3 pages.

Rain Bird Corporation, Landscape Irrigation Products 2001-2002 Catalog, Mar. 2001, 9 pages.

Rain Bird Corporation, Landscape Irrigation Products 2001-2002 Catalog, pp. 181-184, Mar. 2001, 6 pages.

Rain Bird Corporation, Landscape Irrigation Products 2005-2006 Catalog, Jun. 2004, 13 pages.

Rain Bird Corporation, Landscape Irrigation Products 2005-2006 Catalog, pp. 230-232; 247-250, Jun. 2004, 10 pages.

Rain Bird Corporation, Landscape Irrigation Products 2006-2007 Catalog, p. 222-224; 238-242, Jul. 2005, 11 pages.

Rain Bird Corporation, Nursery Equipment Catalog 1986/1987, 1986, 3 pages.

Rain Bird Corporation, PC Dripline Pressure Compensating Inline Emitter Tubing Catalog, Oct. 1998, 16 pages.

Rain Bird Corporation, Turf Irrigation Equipment 1982 Catalog, 1982, 4 pages.

Rain Bird Corporation, Turf Irrigation Equipment 1983 Catalog, 1983, 4 pages.

Rain Bird Corporation, Turf Irrigation Equipment 1985 Catalog, 1985, 3 pages.

Rain Bird Corporation, Turf Irrigation Equipment 1985 Catalog, p. 73, 1985, 3 pages.

Rain Bird Corporation, Turf Irrigation Equipment 1987 Catalog, 1987, 6 pages.

RAM Invoice Jan. 31, 1991.

Schifris, Seba et al., "Inhibition of root penetration in subsurface driplines by impregnating the drippers with copper oxide particles," *Irrigation Science* (2015) 33:4, pp. 319-324.

Smiley, E. T., "Root Growth Near Vertical Root Barriers," *International Society of Arboriculture*, 1995, pp. 150-152.

Spera, G., et al., "Subsurface drip irrigation with micro-encapsulated trifluralin. Trifluralin residues in soils and cultivations," *Commun Agric Appl Biol Sci* 71:161-170, (2006).

State Intellectual Property Office, First Office Action issued in Chinese Application No. 201380016629.9, dated Nov. 4, 2015, 16 pp.



(56)

**References Cited**

## OTHER PUBLICATIONS

The Clean Estuary Partnership, "Copper Sources in Urban Runoff and Shoreline Activities," TDC Environmental, LLC, 2004, pp. 1-72.

U.S. Appl. No. 11/359,181, filed Feb. 22, 2006, entitled "Drip Emitter," and issued on Jan. 19, 2010 as U.S. Pat. No. 7,648,085.

U.S. Appl. No. 11/394,755, filed Mar. 31, 2006, entitled "Drip Emitter."

U.S. Appl. No. 12/347,266, filed Dec. 31, 2008, entitled "Low Flow Irrigation Emitter."

U.S. Appl. No. 12/367,295, filed Feb. 6, 2009, entitled "Low Flow Irrigation Emitter."

U.S. Appl. No. 12/436,394, filed May 6, 2009, entitled "Drip Emitter and Methods of Assembly and Mounting."

U.S. Appl. No. 12/495,178, filed Jun. 30, 2009, entitled "Drip Emitter."

U.S. Appl. No. 12/495,193, filed Jun. 30, 2009, entitled "Drip Emitter," which is a continuation of U.S. Appl. No. 11/359,181.

U.S. Appl. No. 13/430,249, filed Mar. 26, 2012.

U.S. Appl. No. 13/964,903, filed Aug. 12, 2013.

U.S. Appl. No. 14/139,217, filed Dec. 23, 2013.

U.S. Appl. No. 14/036,881; Notice of Allowance dated Aug. 24, 2017; (pp. 1-7).

U.S. Appl. No. 13/839,726; Notice of Allowance dated Sep. 14, 2017; (pp. 1-5).

U.S. Appl. No. 13/964,903; Notice of Allowance dated Aug. 4, 2017; (pp. 1-11).

U.S. Appl. No. 13/964,903; Notice of Allowance dated Sep. 18, 2017; (pp. 1-7).

U.S. Appl. No. 13/964,903; Notice of Allowance dated Apr. 5, 2018 (pp. 1-5).

U.S. Appl. No. 14/036,881; Corrected Notice of Allowability dated May 22, 2017.

U.S. Appl. No. 14/036,881; Notice of Allowability dated Nov. 29, 2017; (pp. 1-2).

U.S. Appl. No. 14/036,881; Notice of Allowability dated Dec. 26, 2017; (pp. 1-2).

U.S. Appl. No. 14/036,881; Notice of Allowance dated May 8, 2017.

U.S. Appl. No. 14/036,881; Notice of Allowance dated Dec. 23, 2016.

U.S. Appl. No. 14/036,881; Office Action dated Aug. 2, 2016.

U.S. Appl. No. 14/036,881; Office Action dated Dec. 9, 2015.

U.S. Appl. No. 14/385,564; Notice of Allowability dated Nov. 29, 2017; (pp. 1-2).

U.S. Appl. No. 14/385,564; Notice of Allowability dated Dec. 26, 2017; (pp. 1-2).

U.S. Appl. No. 14/385,564; Notice of Allowance dated Aug. 22, 2017; (pp. 1-8).

U.S. Appl. No. 14/475,435; Office Action dated Sep. 27, 2017; (pp. 1-9).

U.S. Appl. No. 14/518,774; Notice of Allowance dated Jan. 4, 2018; (pp. 1-4).

U.S. Appl. No. 14/518,774; Notice of Allowance dated Oct. 26, 2017; (pp. 1-7).

U.S. Appl. No. 14/851,545; Office Action dated Oct. 30, 2017; (pp. 1-27).

U.S. Appl. No. 14/910,573; Office Action dated Feb. 13, 2018; (pp. 1-10).

U.S. Appl. No. 15/331,407; Corrected Notice of Allowability dated Dec. 28, 2017; (pp. 1-2).

U.S. Appl. No. 15/331,407; Notice of Allowability dated Nov. 30, 2017; (pp. 1-2).

U.S. Appl. No. 15/331,407; Notice of Allowance dated Oct. 27, 2017; (pp. 1-9).

U.S. Appl. No. 15/331,407; Office Action dated Apr. 27, 2017.

U.S. Appl. No. 15/344,843; Corrected Notice of Allowability dated Dec. 28, 2017; (pp. 1-2).

U.S. Appl. No. 15/344,843; Notice of Allowability dated Nov. 30, 2017; (pp. 1-2).

U.S. Appl. No. 15/344,843; Notice of Allowance dated Oct. 16, 2017; (pp. 1-7).

U.S. Appl. No. 11/394,755, Office Action dated Aug. 14, 2008.

U.S. Appl. No. 11/394,755, Office Action dated Feb. 7, 2008.

U.S. Appl. No. 11/394,755, Office Action dated Jul. 17, 2007.

U.S. Appl. No. 11/394,755, Office Action dated Jul. 17, 2009.

U.S. Appl. No. 11/394,755, Office Action dated Mar. 31, 2009.

U.S. Appl. No. 11/394,755, Office Action dated May 12, 2011.

U.S. Appl. No. 11/394,755; Office Action dated Dec. 19, 2011.

U.S. Appl. No. 12/347,266, Office Action dated Mar. 7, 2011.

U.S. Appl. No. 12/347,266, Office Action dated Nov. 17, 2010.

U.S. Appl. No. 12/347,266, Office Action dated Sep. 7, 2010.

U.S. Appl. No. 12/367,295, Office Action dated Feb. 11, 2011.

U.S. Appl. No. 12/367,295, Office Action dated Jul. 15, 2011.

U.S. Appl. No. 12/367,295; Office Action dated Jun. 8, 2012.

U.S. Appl. No. 12/495,178, Office Action dated Feb. 3, 2010.

U.S. Appl. No. 12/495,178; Office Action dated Apr. 18, 2014; 12 pages.

U.S. Appl. No. 12/495,178; Office Action dated Jun. 21, 2012.

U.S. Appl. No. 12/495,178; Office Action dated Mar. 11, 2015; 6 pages.

U.S. Appl. No. 12/495,178; Office Action dated Nov. 18, 2014; 8 pages.

U.S. Appl. No. 12/495,178; Office Action dated Oct. 6, 2015; 8 pages.

U.S. Appl. No. 12/495,193, Office Action dated Jan. 6, 2012.

U.S. Appl. No. 12/495,193, Office Action dated May 11, 2011.

U.S. Appl. No. 12/495,193; Advisory Action dated Sep. 5, 2013.

U.S. Appl. No. 12/495,193; Notice of Allowance dated Feb. 10, 2017; 7 pages.

U.S. Appl. No. 12/495,193; Notice of Allowance dated May 4, 2017.

U.S. Appl. No. 12/495,193; Notice of Allowance dated Oct. 14, 2016; 7 pages.

U.S. Appl. No. 12/495,193; Office Action dated Apr. 18, 2014; 23 pages.

U.S. Appl. No. 12/495,193; Office Action dated Aug. 29, 2016.

U.S. Appl. No. 12/495,193; Office Action dated Jan. 15, 2015; 11 pages.

U.S. Appl. No. 12/495,193; Office Action dated Jun. 18, 2013.

U.S. Appl. No. 12/495,193; Office Action dated Oct. 1, 2015; 9 pages.

U.S. Appl. No. 13/430,249; Notice of Allowance dated Apr. 14, 2016; 7 pages.

U.S. Appl. No. 13/430,249; Notice of Allowance dated Sep. 19, 2016; 6 pages.

U.S. Appl. No. 13/430,249; Office Action dated Mar. 24, 2015; 10 pages.

U.S. Appl. No. 13/430,249; Office Action dated Oct. 26, 2015; 10 pages.

U.S. Appl. No. 13/800,354; Office Action dated Sep. 25, 2014; 13 pages.

U.S. Appl. No. 13/839,726; Notice of Allowance dated Aug. 15, 2016; 5 pages.

U.S. Appl. No. 13/839,726; Notice of Allowance dated Dec. 1, 2016; 5 pages.

U.S. Appl. No. 13/839,726; Notice of Allowance dated Dec. 31, 2015; 5 pages.

U.S. Appl. No. 13/839,726; Office Action dated Apr. 26, 2016; 4 pages.

U.S. Appl. No. 13/839,726; Office Action dated Mar. 20, 2017; 4 pages.

U.S. Appl. No. 13/839,726; Office Action dated May 28, 2015; 5 pages.

U.S. Appl. No. 13/839,726; Office Action dated May 30, 2017; (4 pages).

U.S. Appl. No. 13/964,903; Office Action dated Jun. 3, 2015; 21 pages.

U.S. Appl. No. 13/964,903; Office Action dated Mar. 7, 2016; 21 pages.

U.S. Appl. No. 14/047,489; Office Action dated Jun. 29, 2015; 7 pages.

(56)

**References Cited**

OTHER PUBLICATIONS

U.S. Appl. No. 14/047,489; Office Action dated Oct. 7, 2015; 9 pages.

U.S. Appl. No. 14/139,217; Office Action dated Apr. 8, 2015; 9 pages.

U.S. Appl. No. 14/139,217; Office Action dated Sep. 18, 2015; 11 pages.

U.S. Appl. No. 14/385,564; Office Action dated Aug. 10, 2016; 9 pages.

U.S. Appl. No. 14/385,564; Office Action dated Mar. 10, 2017; 8 pages.

U.S. Appl. No. 14/475,435; Office Action dated Jan. 26, 2017.

U.S. Appl. No. 14/475,435; Office Action dated Jul. 20, 2016; 9 pages.

U.S. Appl. No. 14/518,774; Office Action dated May 10, 2017.

U.S. Appl. No. 14/851,545; Office Action dated Apr. 24, 2017.

U.S. Appl. No. 14/910,573; Office Action dated Jun. 27, 2017 (10 pages).

U.S. Appl. No. 15/344,843; Office Action dated Apr. 28, 2017.

U.S. Appl. No. 13/964,903; Office Action dated Oct. 31, 2016; 22 pages.

Wagar, J. Alan, et al., "Effectiveness of Three Barrier Materials for Stopping Regenerating Roots of Established Trees," *Journal of Arboriculture*, 19(6), Nov. 1993, pp. 332-338.

Westgate, Philip J., "Preliminary Report on Copper Toxicity and Iron Chlorosis in Old Vegetable Fields," *Florida State Horticultural Society*, 1952, pp. 143-146.

\* cited by examiner



FIG. 1

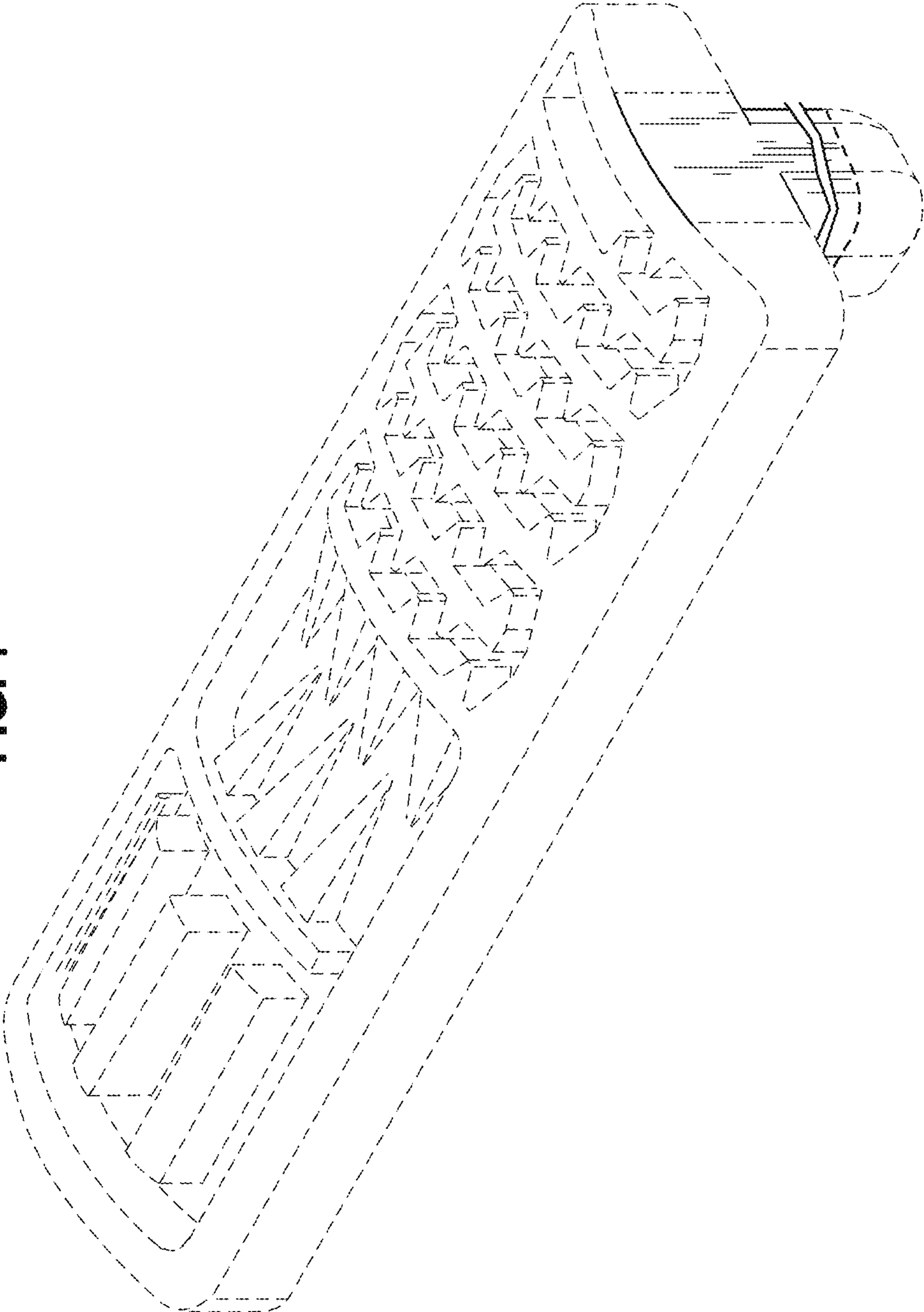




FIG. 2

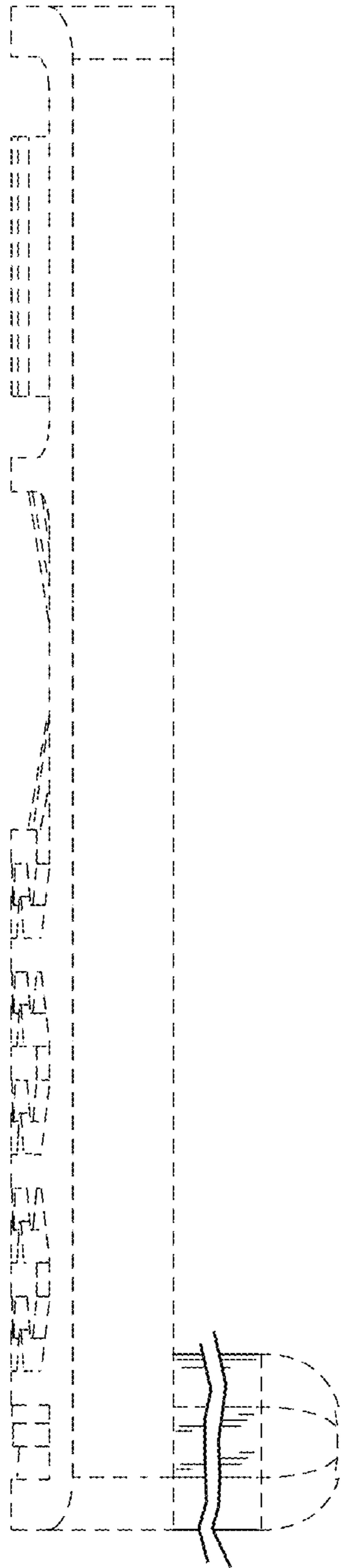
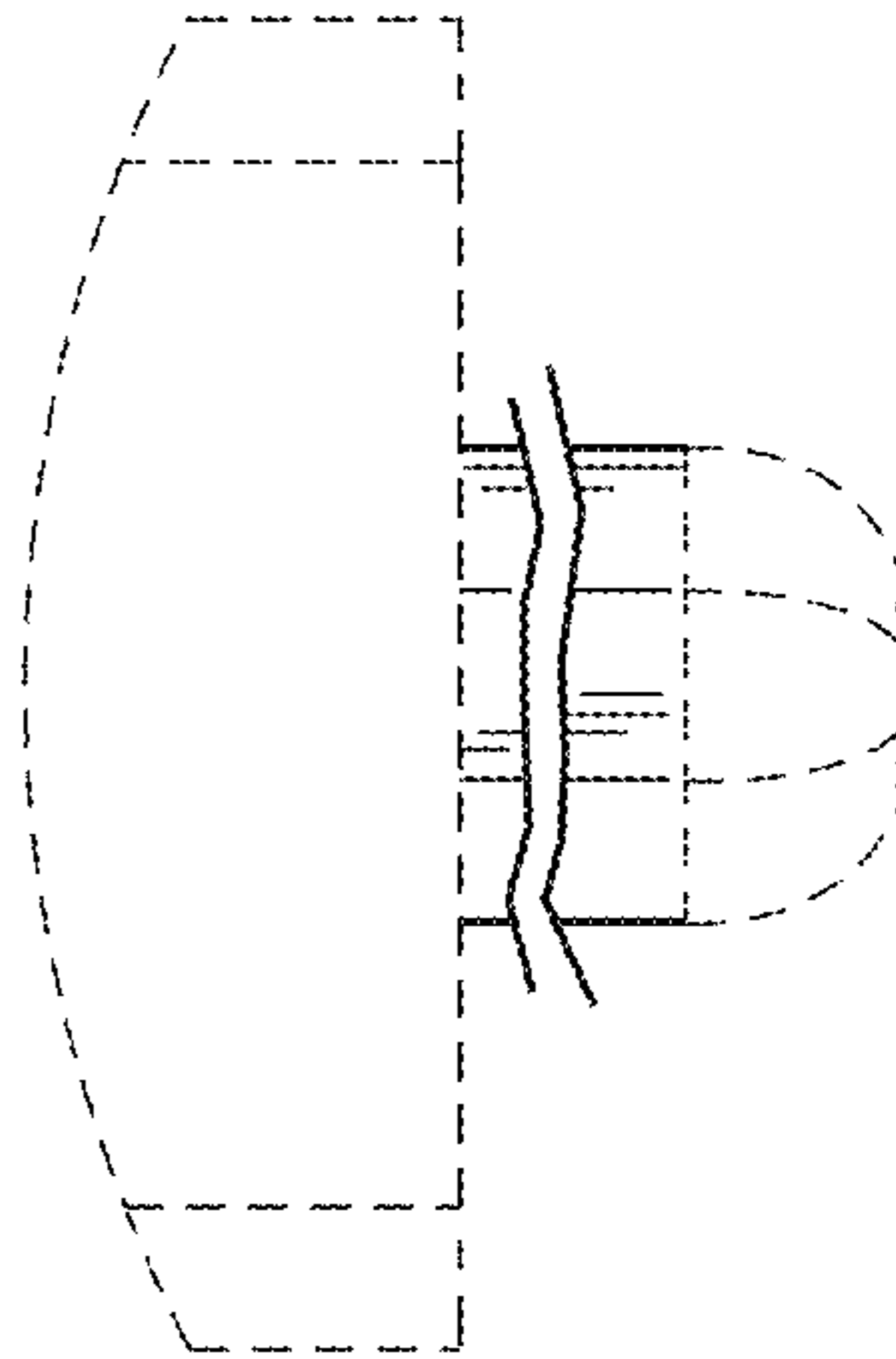
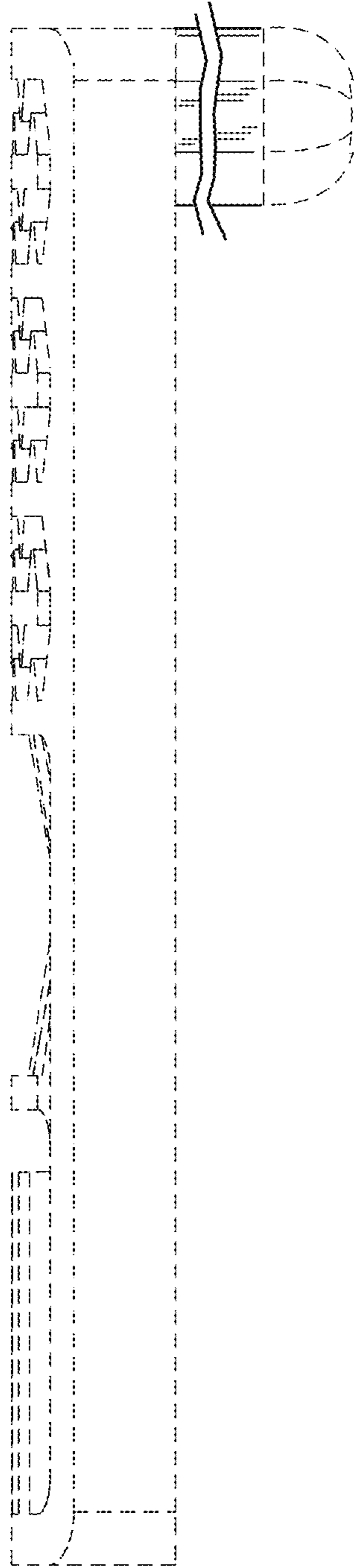


FIG. 3





**FIG. 4**



**FIG. 5**

