



US00D826661S

(12) **United States Design Patent** (10) **Patent No.:** **US D826,661 S**  
**Lonsway** (45) **Date of Patent:** **\*\* Aug. 28, 2018**

(54) **IN-LINE SOLUBLE MEDIA DELIVERY DISPENSER**

(71) Applicant: **Meterio Micheal Lonsway, Vail, AZ**  
(US)

(72) Inventor: **Meterio Micheal Lonsway, Vail, AZ**  
(US)

(\*\*) Term: **15 Years**

(21) Appl. No.: **29/612,016**

(22) Filed: **Jul. 27, 2017**

6,451,271	B1	9/2002	Hammonds	
D480,515	S *	10/2003	Heyek	D30/124
6,648,243	B1	11/2003	Kastner	
D548,832	S *	8/2007	Kallay	D24/108
D605,282	S *	12/2009	Nichetti	D24/108
7,674,313	B2	3/2010	Jordon et al.	
D638,099	S *	5/2011	Farley	D23/209
D683,842	S *	6/2013	Wang	D24/108
D708,402	S *	7/2014	Orgill	D30/121
D758,528	S *	6/2016	Ruprecht	D23/209
D792,553	S *	7/2017	Hierro	D23/209
D796,278	S *	9/2017	Lonsway	D8/1
D807,986	S *	1/2018	Ruprecht	D23/209
D807,987	S *	1/2018	Ruprecht	D23/209
2006/0108376	A1	5/2006	Muir	
2011/0000976	A1	1/2011	Roide	

(Continued)

**Related U.S. Application Data**

(63) Continuation-in-part of application No. 29/517,819, filed on Feb. 17, 2015, now Pat. No. Des. 796,278.

(51) **LOC (11) Cl.** ..... **08-01**

(52) **U.S. Cl.**  
USPC ..... **D8/1**

(58) **Field of Classification Search**  
USPC ..... D8/1, 2; D30/124, 132; D23/209  
CPC ..... A01G 25/02; A01C 23/042; B01F 1/00;  
B05B 7/2462  
See application file for complete search history.

(56) **References Cited**

**U.S. PATENT DOCUMENTS**

D160,289	S *	9/1950	Wetzig	D8/1
D254,145	S *	2/1980	Wilcock	D23/209
4,331,293	A *	5/1982	Rangel-Garza	B05B 1/3447
				239/542
5,443,212	A *	8/1995	Dinur	A01G 25/023
				239/542
D391,338	S *	2/1998	King	D23/209
5,769,318	A	6/1998	Greubel	
D433,603	S *	11/2000	Kohls	D8/2
6,219,963	B1 *	4/2001	Wang	A01G 27/006
				239/38
D441,505	S *	5/2001	Nylen	D30/124

**FOREIGN PATENT DOCUMENTS**

CA	2678537	3/2011
JP	2013085509	5/2013

(Continued)

*Primary Examiner* — Sheryl Lane

(74) *Attorney, Agent, or Firm* — Grossman Tucker Perreault & Pflieger PLLC

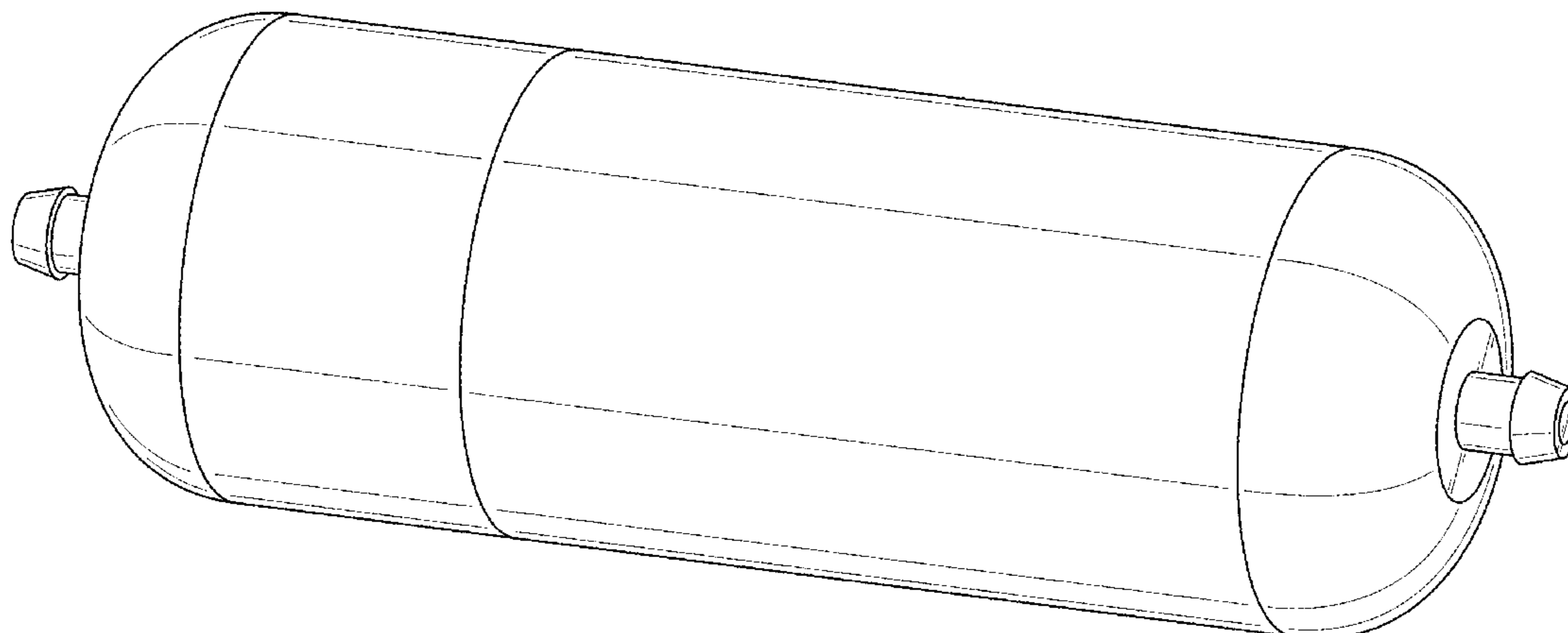
(57) **CLAIM**

The ornamental design for an in-line soluble media delivery dispenser, as shown.

**DESCRIPTION**

FIG. 1 is a perspective view of an in-line soluble media delivery dispenser showing my new design. FIG. 2 is a left side elevation view thereof; FIG. 3 is a right side elevation view thereof; FIG. 4 is a front elevation view thereof; and, FIG. 5 is a top plan view thereof.

**1 Claim, 5 Drawing Sheets**



(56)

**References Cited**

U.S. PATENT DOCUMENTS

2016/0198626 A1\* 7/2016 Lonsway ..... A01C 23/042  
137/268

FOREIGN PATENT DOCUMENTS

WO 2006034105 3/2006  
WO 2008129310 10/2008

\* cited by examiner

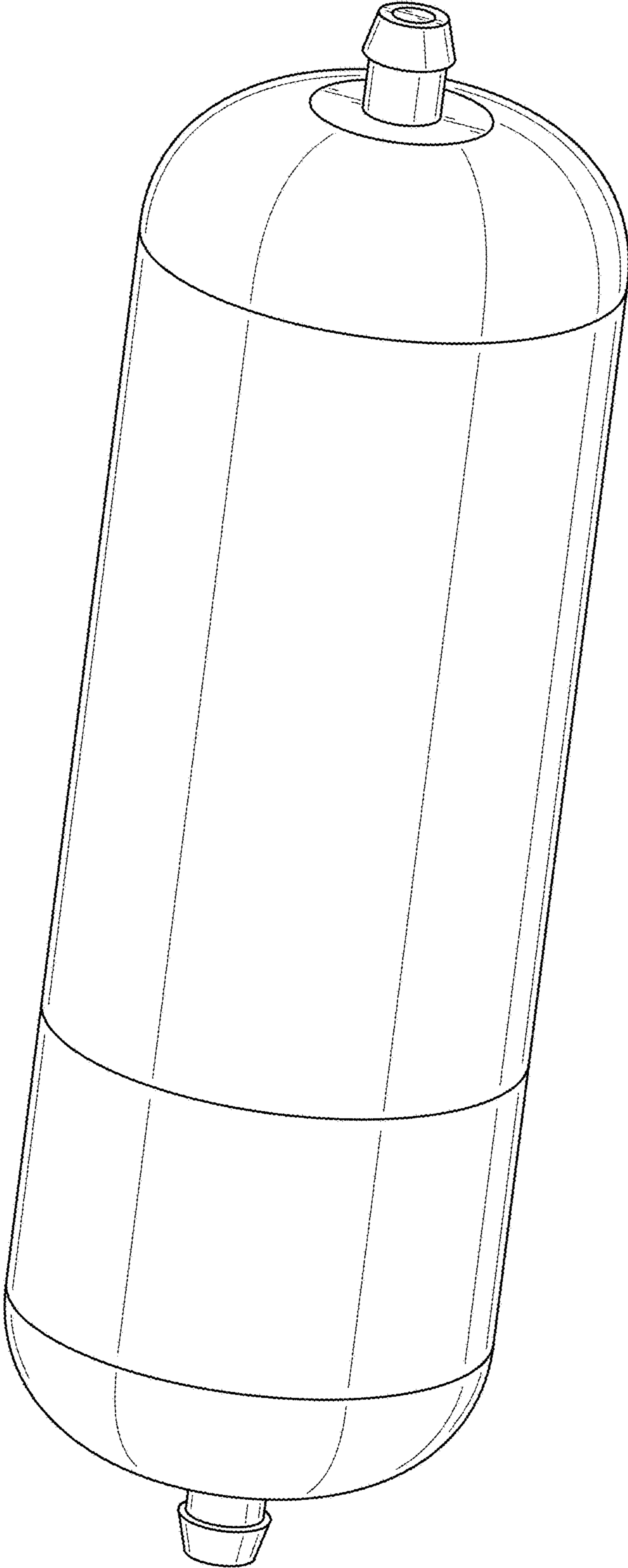


FIG. 1

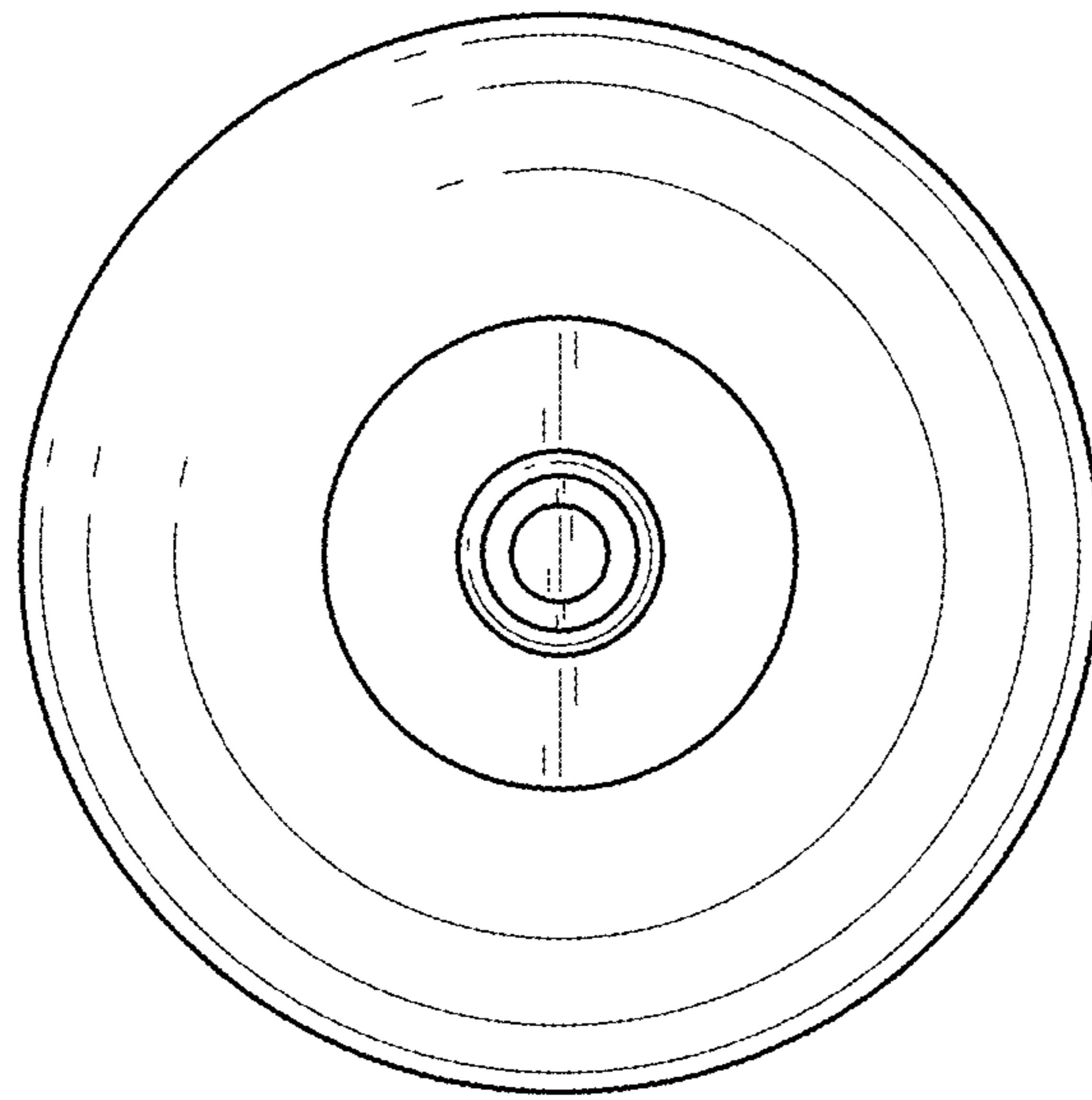


FIG. 2

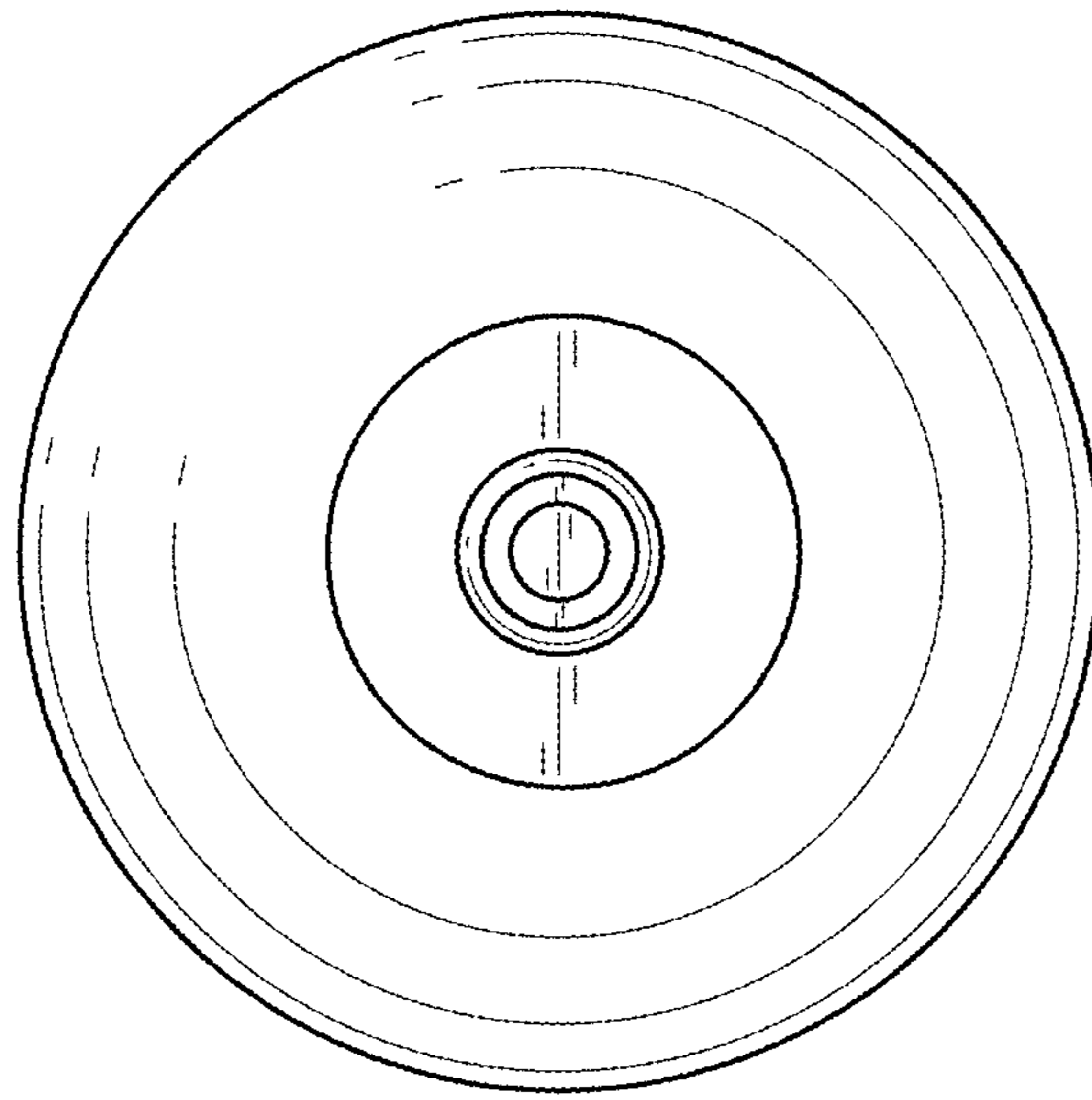


FIG. 3

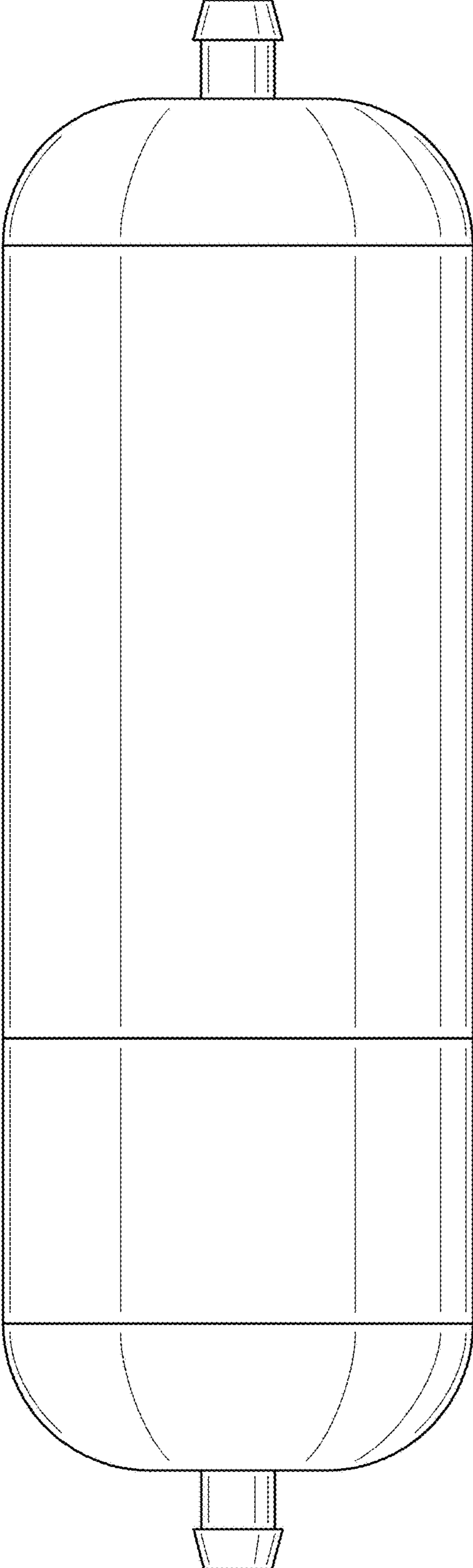


FIG. 4

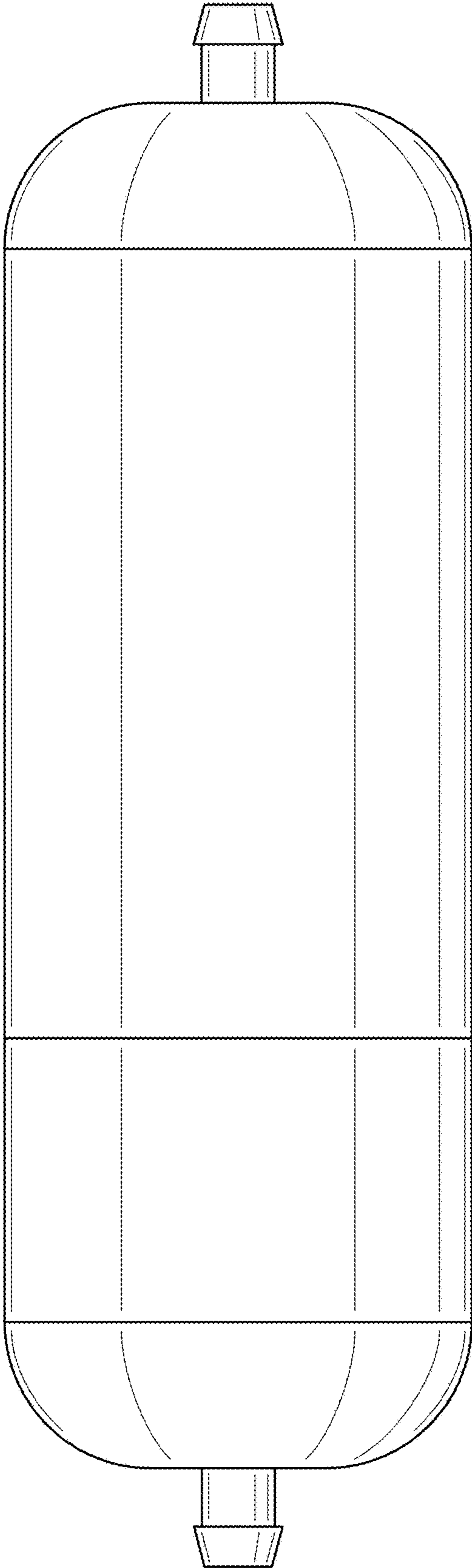


FIG. 5