



US00D826659S

(12) **United States Design Patent**
Klein et al.

(10) **Patent No.:** **US D826,659 S**
(45) **Date of Patent:** **** Aug. 28, 2018**

(54) **ROLL-OUT BAKEWARE ORGANIZER**

D589,730 S 4/2009 Klein et al.
7,810,890 B2 10/2010 Klein et al.
D729,021 S * 5/2015 Goodman D7/704

(71) Applicant: **LYNK, INC.**, Lenexa, KS (US)

(72) Inventors: **Richard B. Klein**, Overland Park, KS (US); **Mark A. Etter**, Independence, MO (US); **Andrew J. Meier**, Overland Park, KS (US)

(73) Assignee: **LYNK, INC.**, Lenexa, KS (US)

(**) Term: **15 Years**

(21) Appl. No.: **29/566,008**

(22) Filed: **May 26, 2016**

(51) **LOC (11) Cl.** **06-04**

(52) **U.S. Cl.**
USPC **D7/704**; D7/601

(58) **Field of Classification Search**
USPC D7/601, 704; D6/705.6, 704, 675.2,
D6/708.16, 678.4; D19/86, 90, 91
CPC A47B 88/90; A47B 88/483; A47B 88/427;
A47F 5/01; A47J 47/16
See application file for complete search history.

(56) **References Cited**

U.S. PATENT DOCUMENTS

4,592,471 A *	6/1986	Bross	A47J 47/16
				108/61
D471,768 S *	3/2003	Morgan	A47F 5/01
				D7/601
7,007,808 B2 *	3/2006	Morgan	A47F 5/01
				211/41.11
7,104,409 B2 *	9/2006	Morgan	A47F 5/01
				211/41.1
D547,094 S	7/2007	Klein et al.		
D567,540 S *	4/2008	Klein	D6/678.4
D588,415 S	3/2009	Ward, Jr. et al.		
D589,729 S	4/2009	Klein et al.		

OTHER PUBLICATIONS

Website Advertisement, Amazon.com, "Seville Classics Kitchen Pantry and Cabinet Organizer", downloaded from the internet on Apr. 26, 2016 at http://www.amazon.com/Seville-Classics-Kitchen-Cabinet-Organizer/dp/B002QCNYCG/ref=sr_1_10?ie=UTF8&qid=1455146666&sr=8-10&keywords=tray+organizer (8 pgs).

(Continued)

Primary Examiner — Terry A Wallace

(74) *Attorney, Agent, or Firm* — Stinson Leonard Street LLP

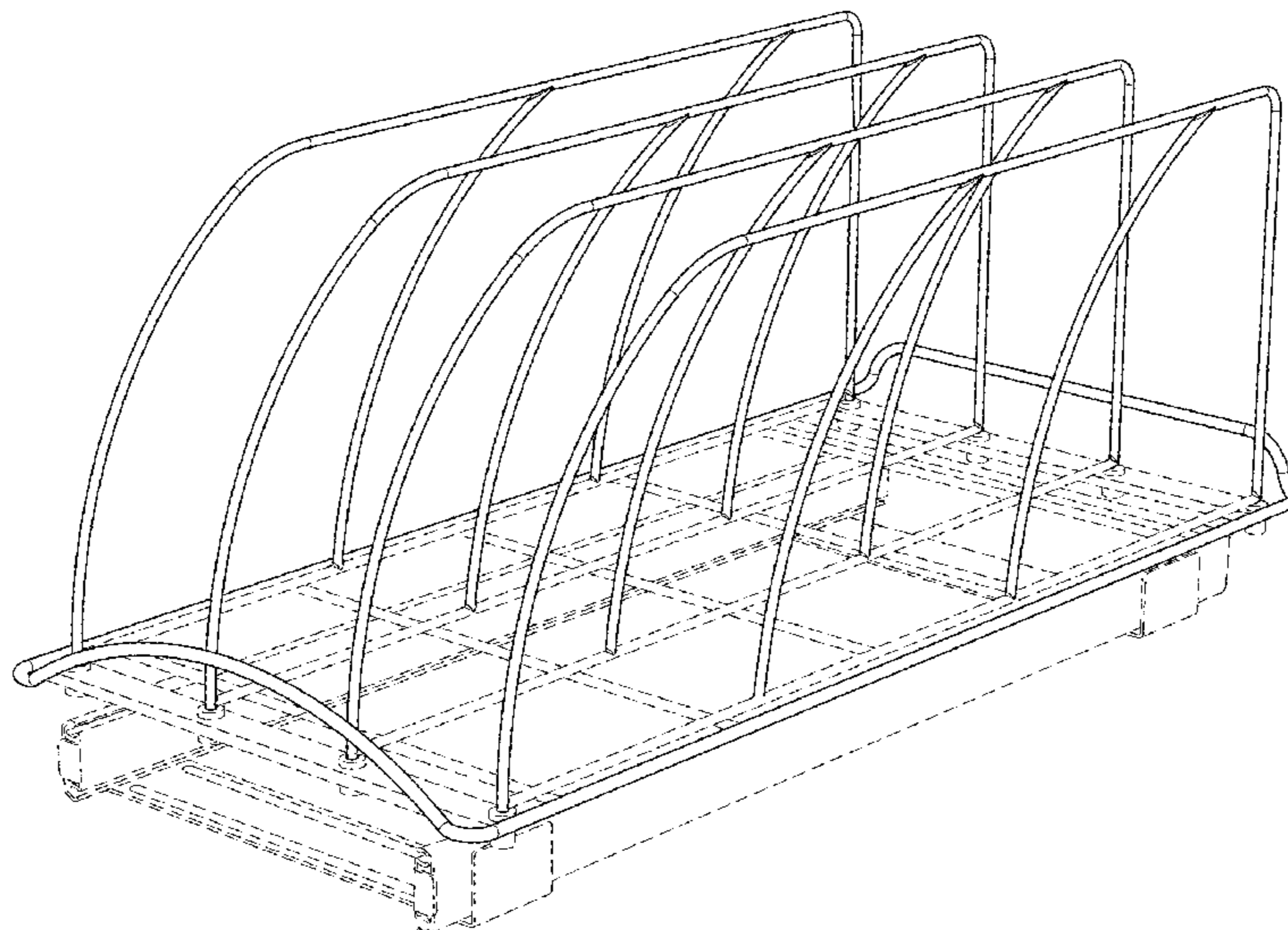
(57) **CLAIM**

The ornamental design for roll-out bakeware organizer, as shown and described.

DESCRIPTION

FIG. 1 is a front perspective view of the roll-out bakeware organizer;
FIG. 2 is a right side elevational view of the roll-out bakeware organizer;
FIG. 3 is a left side elevational view of the roll-out bakeware organizer;
FIG. 4 is a front elevational view of the roll-out bakeware organizer of FIG. 1;
FIG. 5 is a rear elevational view of the roll-out bakeware organizer of FIG. 1;
FIG. 6 is a top plan view of the roll-out bakeware organizer of FIG. 1; and,
FIG. 7 is a bottom plan view of the roll-out bakeware organizer of FIG. 1.
The broken lines shown represent unclaimed subject matter and form no part of the claimed design.

1 Claim, 4 Drawing Sheets



(56)

References Cited

OTHER PUBLICATIONS

Website Advertisement, Amazon.com, “Knap & Vogt TDRO-FNW-9 Roll Out Tray Divider Cabinet Organizer, 14-Inch by 8.44-Inch by 22.25-Inch”, downloaded from the internet on Apr. 26, 2016 at http://www.amazon.com/Knap-Vogt-TDRO-FNW-9-Organizer-22-25-Inch/dp/B00G9JE8LI/ref=sr_1_2?ie=UTF8&qid=1455146732&sr=8-2&keywords=roll+out+tray+organizer (5 pgs).

Website Advertisement, Amazon.com, Rev-A-Shelf-597—18CR-52—Single 18 in. Chrome Bakeware and Tray Divider, downloaded from the internet on Apr. 26, 2016 at http://www.amazon.com/Rev-A-Shelf-597-18CR-52-Single-Bakeware-Divider/dp/B000PGS358/ref=pd_sim_sbs_201_3?ie=UTF8&dpID=61BhFWE9xBL&dpSrc=sims&preST=_AC_UL160_SR160%2C160_&refRID=1VWYKEDJ9PANR5YF33GY (6 pgs).

Website Advertisement, Amazon.com, Lynk Professional Extra Deep Roll Out Lid and Tray Cabinet Organizer 7.3"×21"×9"—Pull Out Under Cabinet Shelf—Slide Out Organizer for Kitchen and Pantry—Chrome, downloaded from the internet on Apr. 26, 2016 at http://www.amazon.com/Lynk-Professional-430021-Organizer-9-Inches/dp/B000SP3IWY/ref=pd_sim_sbs_201_2?ie=UTF8&dpID=411AsjTdVCL&dpSrc=sims&preST=_AC_UL160_SR160%2C160_&refRID=1VWYKEDJ9PANR5YF33GY (7 pgs).

Website Advertisement, Amazon.com, “Knap & Vogt TDR06-W Roll Out Tray Divider Cabinet Organizer, 19.5 by 6 by 22-Inch”, downloaded from the internet on Apr. 26, 2016 at http://www.amazon.com/Knap-Vogt-TDR06-W-Divider-Organizer/dp/B002KA2OUW/ref=sr_1_11?ie=UTF8&qid=1455146961&sr=8-11&keywords=roll+out+tray+organizer (5 pgs).

Website Advertisement, Amazon.com, “Omega National KitchenMate Tray Roll-Out for 9 Inch Base Cabinet, 1 Divider”, downloaded from the internet on Apr. 26, 2016 at http://www.amazon.com/National-KitchenMate-Roll-Out-Cabinet-Divider/dp/B006GSOY5W/ref=sr_1_19?ie=UTF8&qid=1455147033&sr=8-19&keywords=roll+out+tray+organizer (4 pgs).

Website Advertisement, Amazon.com, “Feeny Fetdro Fnw 9 Tray Divider Roll Out 9 In ×22 Fn”, downloaded from the internet on Apr. 26, 2016 at http://www.amazon.com/Feeny-Fetdro-Tray-Divider-9Inx22/dp/B00ASQ2FO0/ref=sr_1_23?ie=UTF8&qid=1455147049&sr=8-23&keywords=roll+out+tray+organizer (3 pgs).

Website Advertisement, Rev-A-Shelf, “Base Cabinet Pullout Tray Divider/Foil Holder Sink & Base Accessories”, downloaded from the internet on Apr. 26, 2016 at <http://www.rev-a-shelf.com/p-187-base-cabinet-pullout-tray-divider-foil-holder-sink-and-base-accessories.aspx> (2 pgs).

Website Advertisement, Rev-A-Shelf, “Base Cabinet Pullout 2 Tier Cookware Organizer Sink & Base Accessories”, downloaded from the internet on Apr. 28, 2016 at <http://www.rev-a-shelf.com/p-174-base-cabinet-pullout-2-tier-cookware-organizer-sink-and-base-accessories.aspx> (2 pgs).

Website Advertisement, Amazon.com, “Glideware Pull-out Cabinet Organizer for Pots and Pans”, downloaded from the internet on Apr. 28, 2016 at http://www.amazon.com/Glideware-Pull-out-Cabinet-Organizer-Pots/dp/B00GVHQWB2/ref=sr_1_2?ie=UTF8&qid=1455211469&sr=8-2&keywords=roll+out+pan+organizer (7 pgs).

Website Advertisement, Amazon.com, “Hardware Resources Pots and Pan Lid Organizer for 15" Base Cabinet MPLO15-R”, downloaded from the internet on Apr. 28, 2016 at http://www.amazon.com/Hardware-Resources-Organizer-Cabinet-MPLO15-R/dp/B00OY96FA2/ref=sr_1_6?ie=UTF8&qid=1455211469&sr=8-6&keywords=roll+out+pan+organizer (6 pgs).

Website Advertisement, Amazon.com, “Roll Out Pot and Pan Hanger”, Knap & Vogt, downloaded from the internet on Apr. 28, 2016 at http://www.amazon.com/Roll-Out-Pot-Pan-Hanger/dp/B00AEDPOOU/ref=sr_1_18?ie=UTF8&qid=1455211517&sr=8-18&keywords=roll+out+pan+organizer (4 pgs).

Website Advertisement, kitchensource.com, “Cookware Organizers”, downloaded from the internet on Apr. 28, 2016 at <http://www.kitchensource.com/cabinet-organizers/d/cookwareorganizers/> (5 pgs).

* cited by examiner

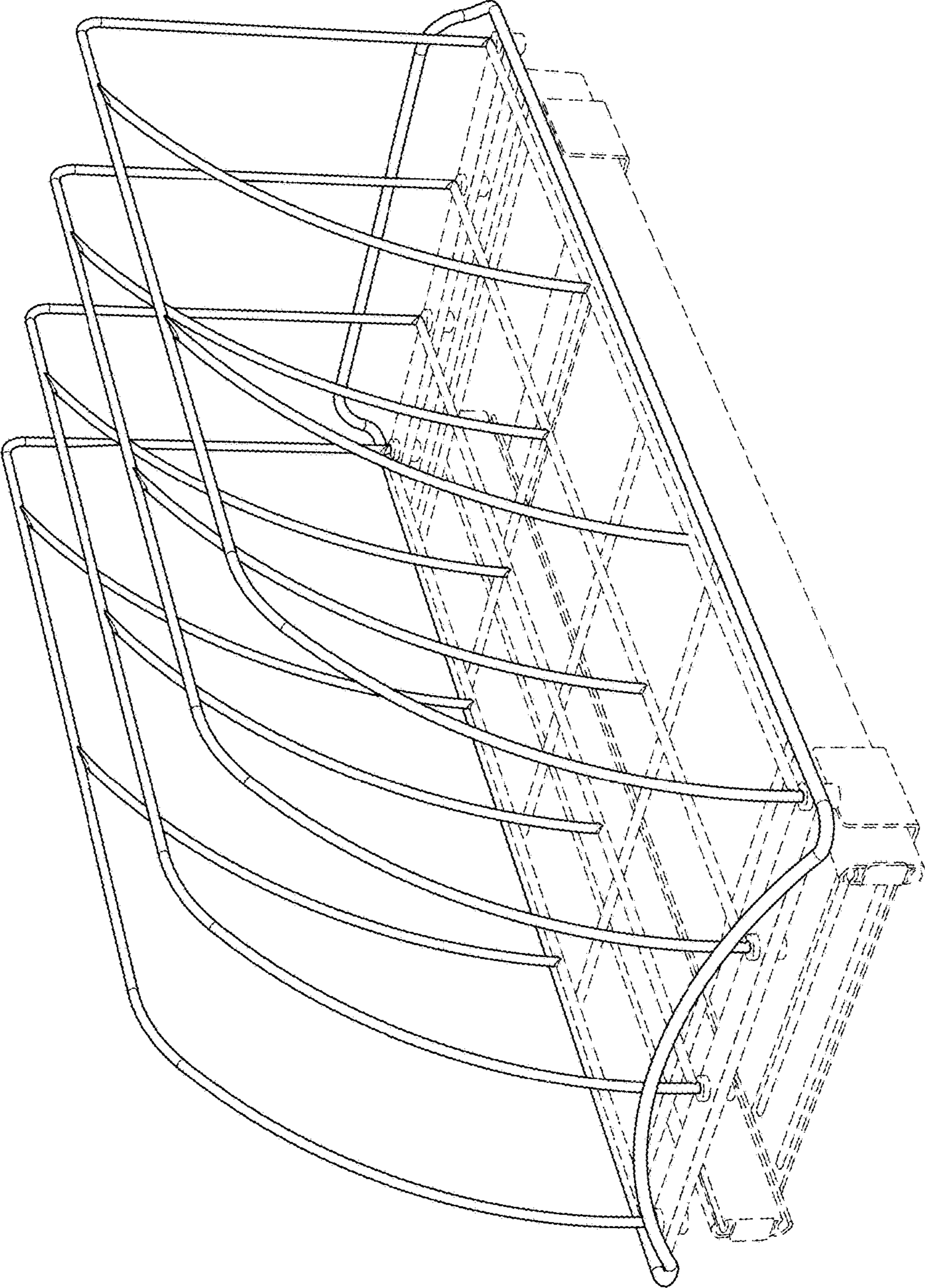


FIG. 1

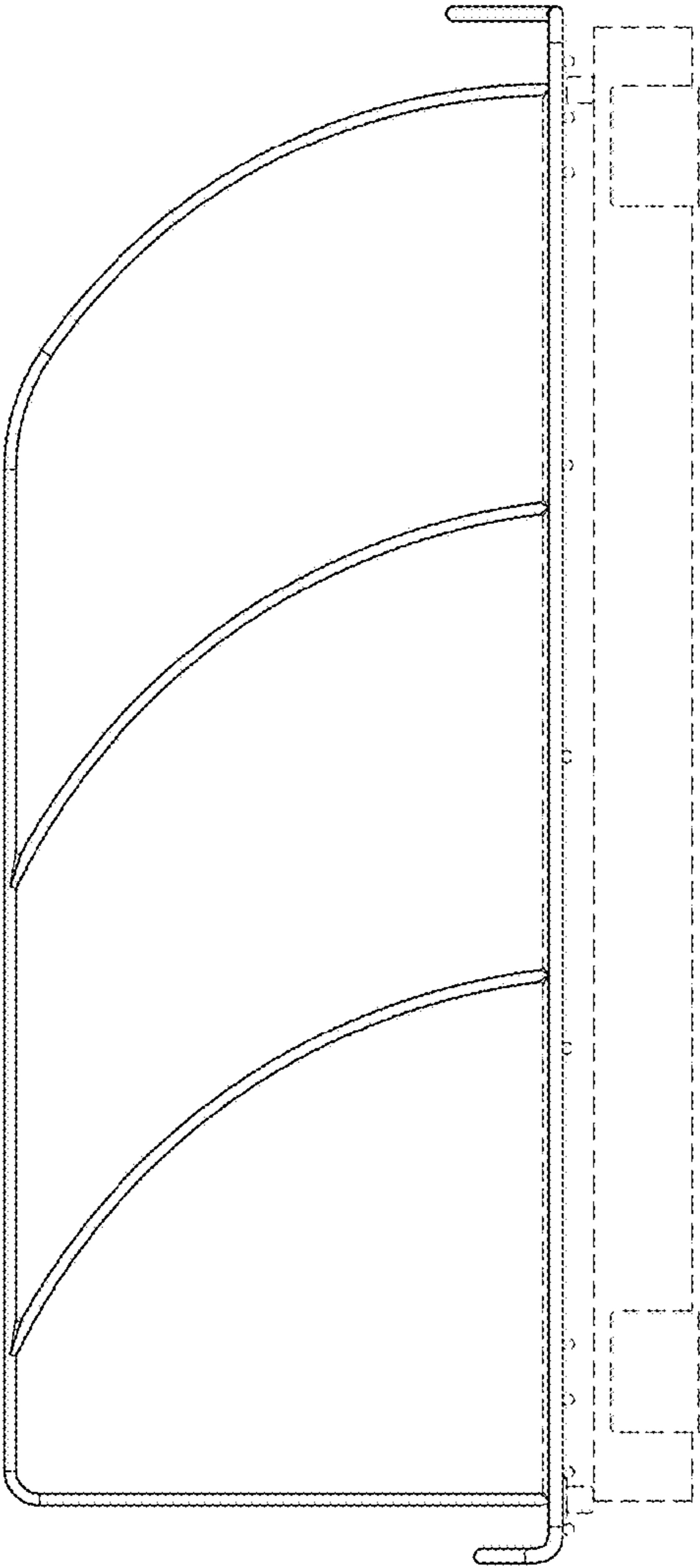


FIG. 2

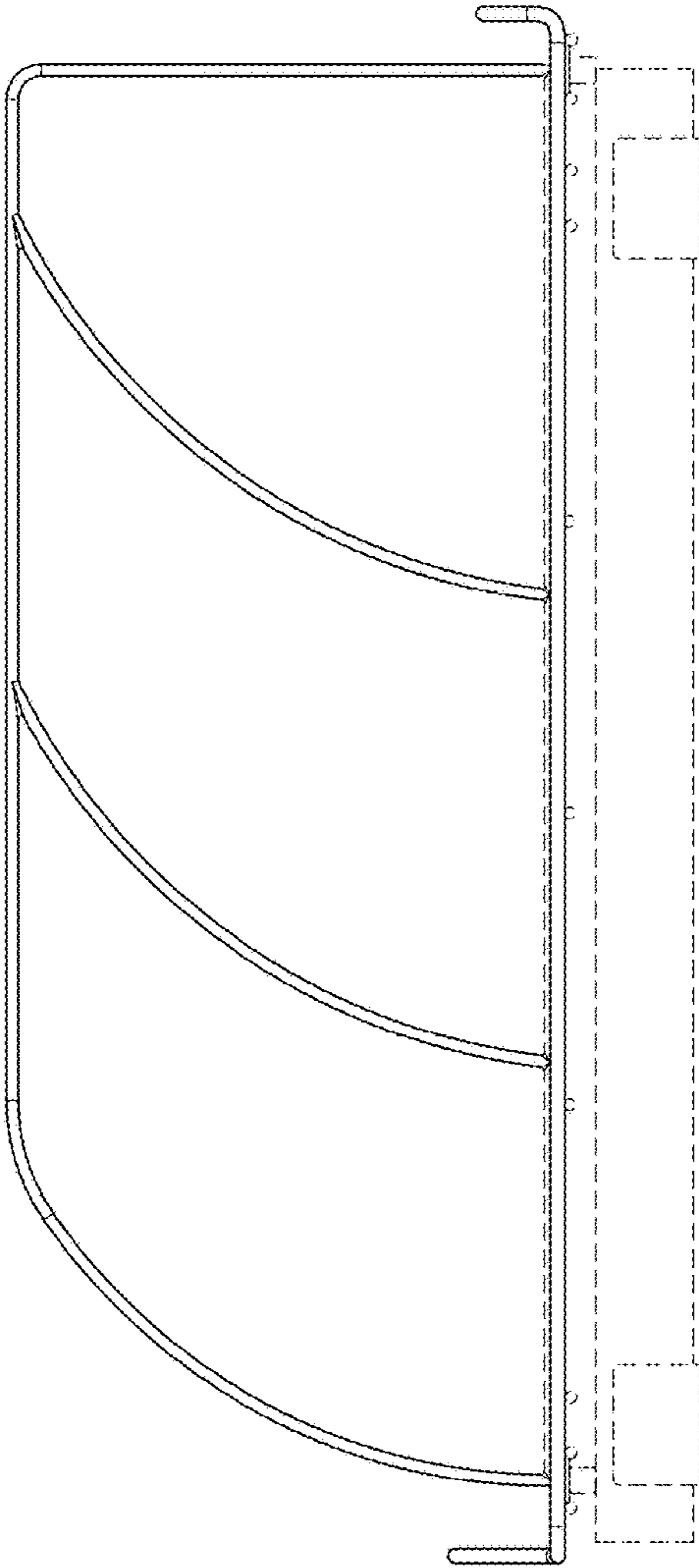


FIG. 3

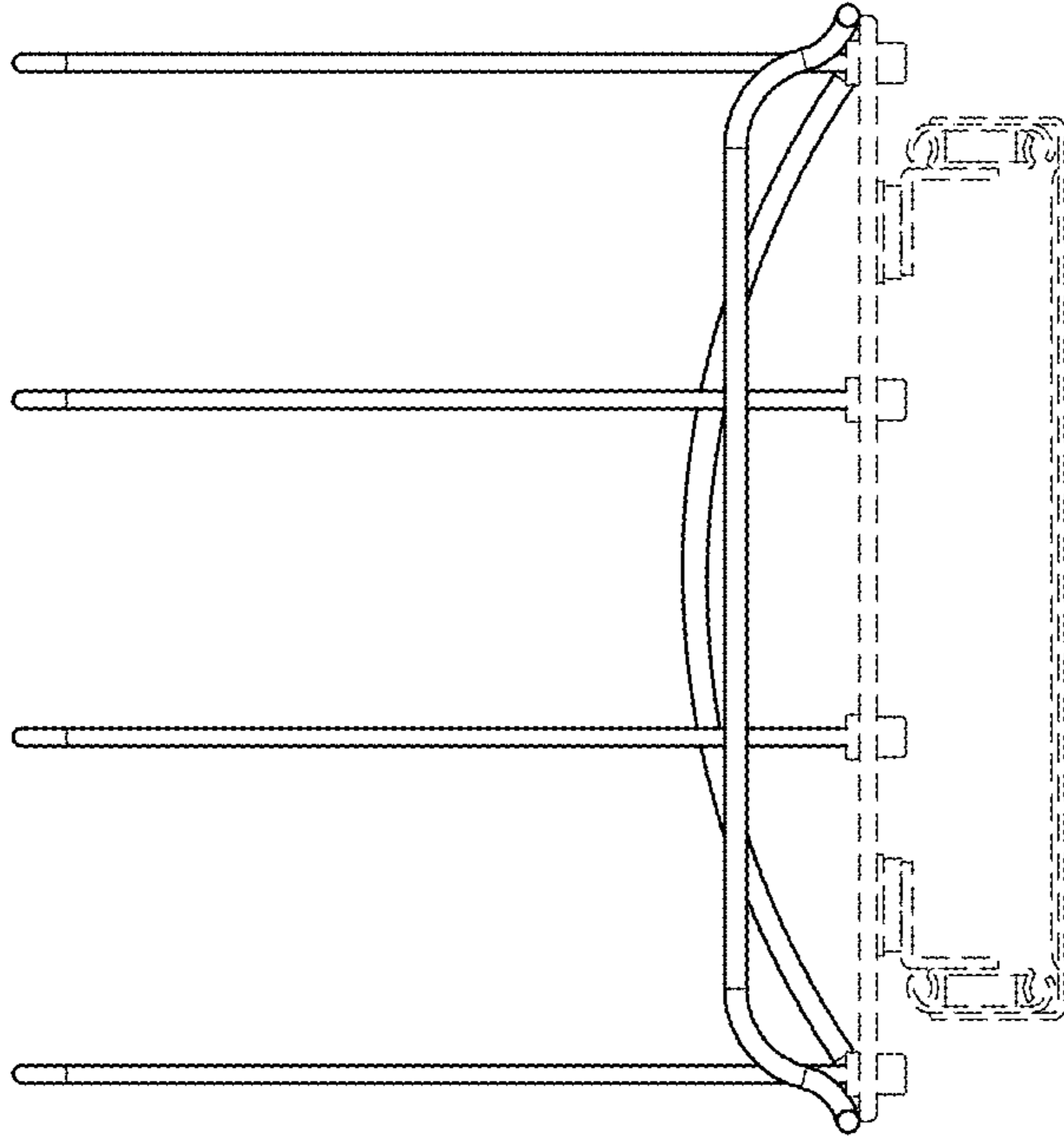


FIG. 4

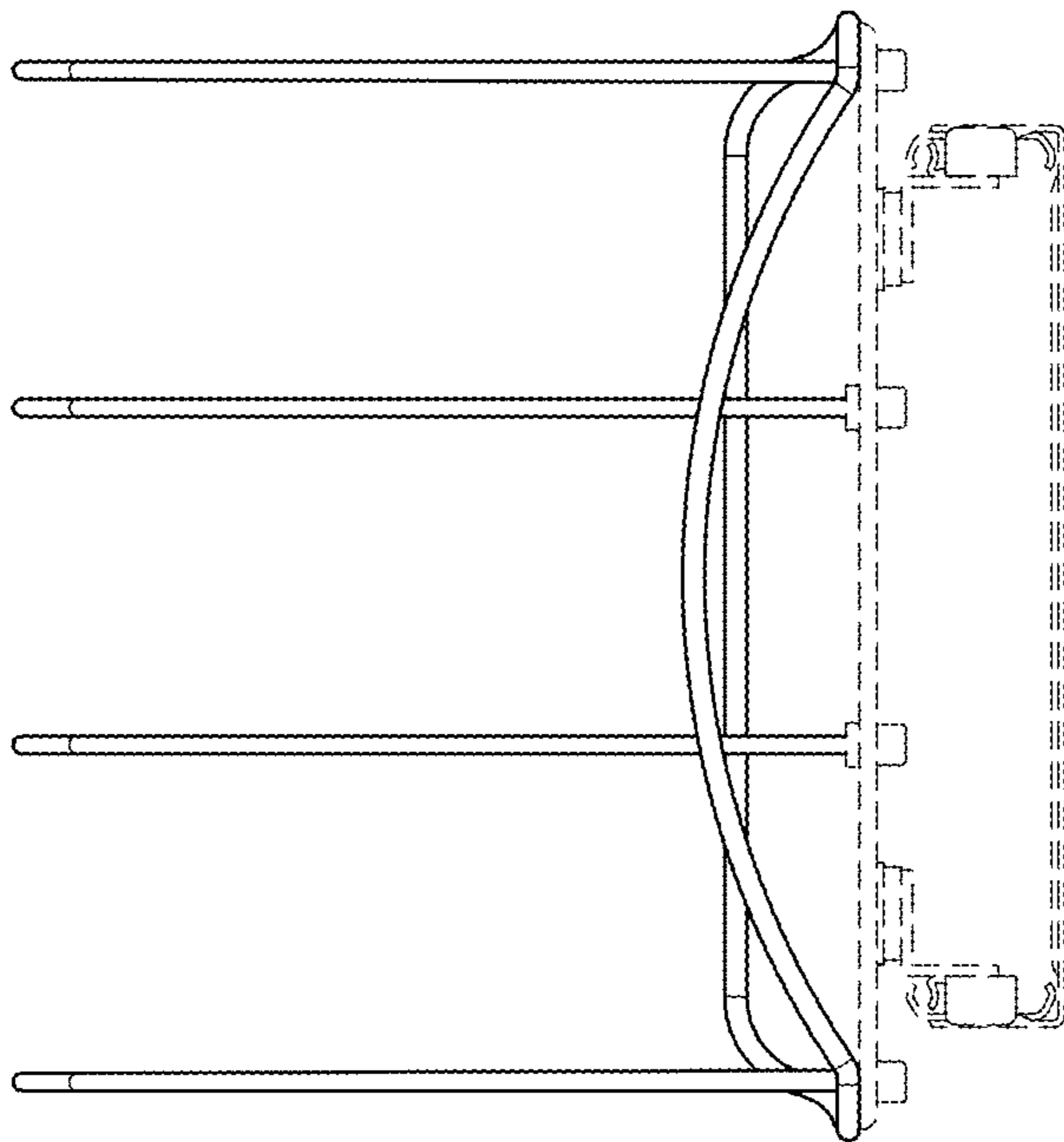


FIG. 5

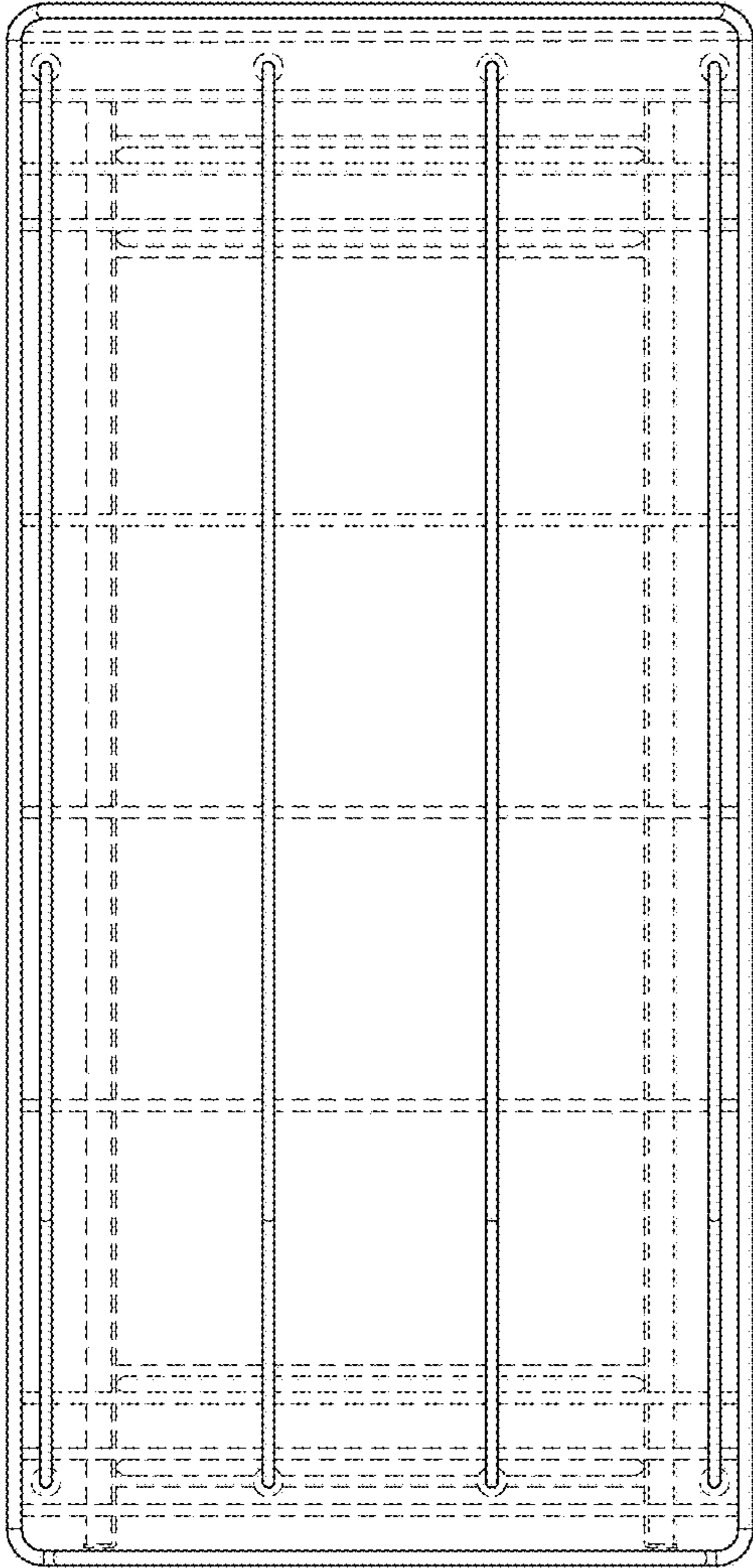


FIG. 6

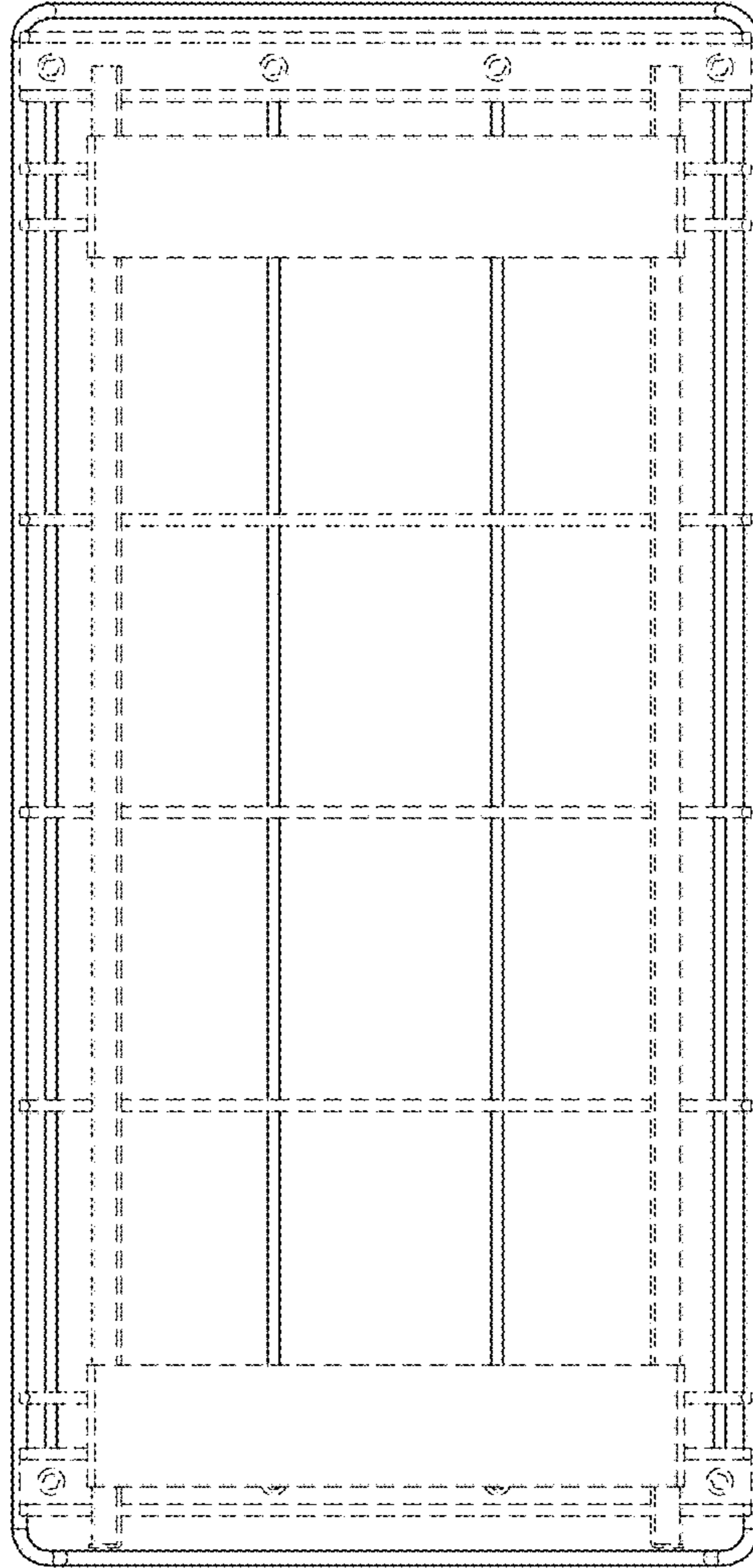


FIG. 7