

US00D826658S

(12) **United States Design Patent** (10) **Patent No.:** **US D826,658 S**
Bergin (45) **Date of Patent:** **** Aug. 28, 2018**

(54) **CUP HOLDER**

(71) Applicant: **Caddy Products, Inc.**, Palm Desert, CA (US)

(72) Inventor: **Peter W. A. Bergin**, Rancho Mirage, CA (US)

(73) Assignee: **CADDY PRODUCTS, INC.**, Palm Desert, CA (US)

(**) Term: **15 Years**

(21) Appl. No.: **29/603,728**

(22) Filed: **May 11, 2017**

(51) **LOC (11) Cl.** **07-06**

(52) **U.S. Cl.**
USPC **D7/701**

(58) **Field of Classification Search**
USPC D7/701-708, 619.1-625; D12/419
CPC .. A47C 7/62; A47C 7/70; B60N 3/103; B60N 3/102; B26B 3/1472; A47G 19/00; A47F 7/021

See application file for complete search history.

(56) **References Cited**

U.S. PATENT DOCUMENTS

4,560,128	A *	12/1985	Willeby	A47C 7/62
					24/517
D353,082	S *	12/1994	Keven	D12/420
D385,464	S *	10/1997	Stern	D7/602
5,938,091	A *	8/1999	Bergin	B62B 3/1472
					224/411
D425,012	S *	5/2000	Bergin	D12/419
D435,196	S *	12/2000	Gregor	D12/420
D444,683	S *	7/2001	Corrion	D12/420
RE39,392	E	11/2006	Bergin		
D548,015	S	8/2007	Bergin		
D559,630	S	1/2008	Bergin		
D574,669	S	8/2008	Bergin		
RE41,624	E	9/2010	Bergin		

D635,832 S 4/2011 Bergin
2003/0141424 A1* 7/2003 Thomas B60N 3/103
248/311.2

2011/0139948 A1 6/2011 Bergin

* cited by examiner

Primary Examiner — Terry A Wallace

(74) *Attorney, Agent, or Firm* — Westman, Champlin & Koehler, P.A.; Z. Peter Sawicki

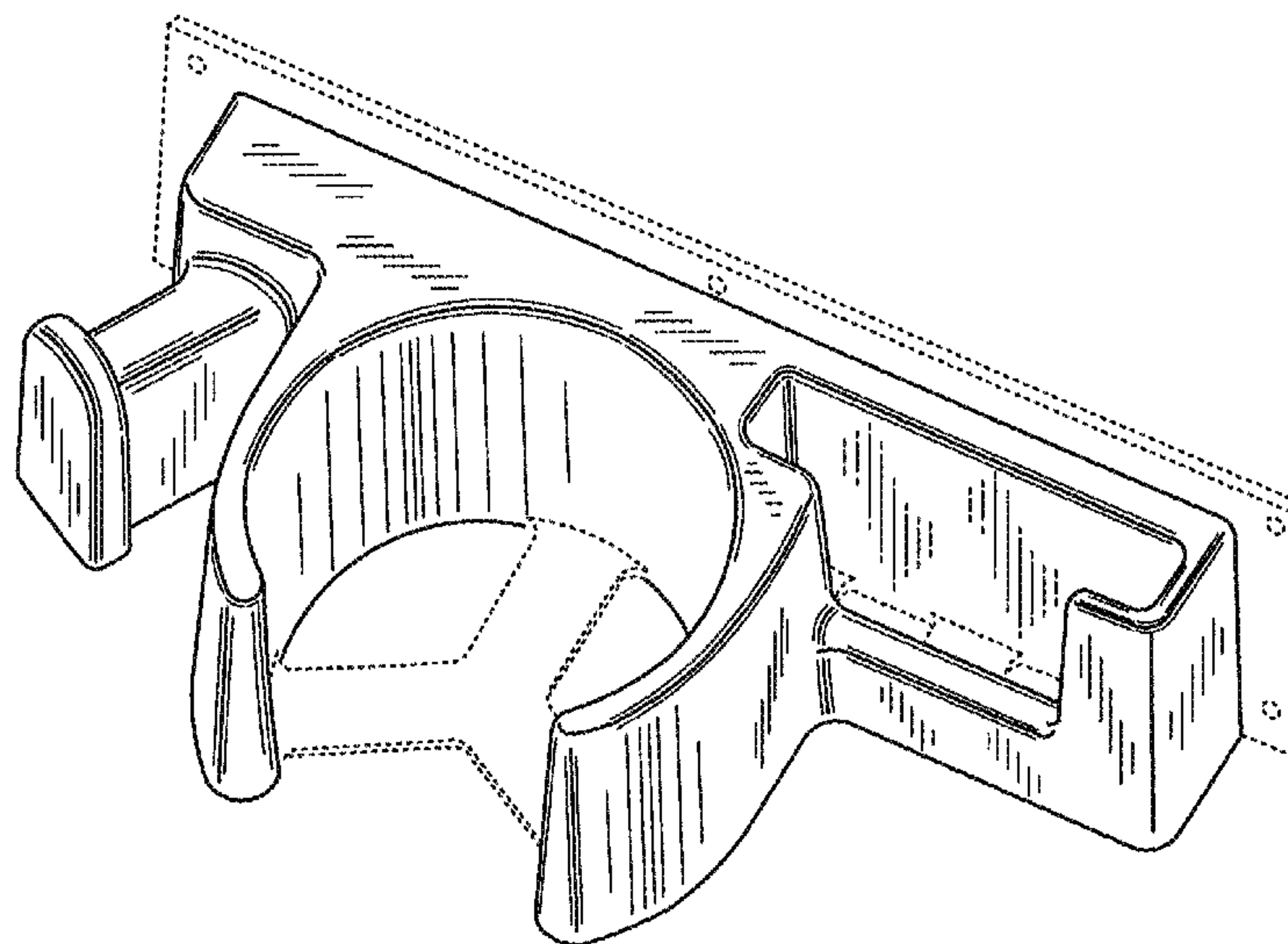
(57) **CLAIM**

The ornamental design for a cup holder, as shown and described.

DESCRIPTION

FIG. 1 is a right side perspective view of a cup holder; FIG. 2 is a front view of the cup holder; FIG. 3 is a back view of the cup holder; FIG. 4 is a right side view of the cup holder; FIG. 5 is a left side view of the cup holder; FIG. 6 is a top view of the cup holder; FIG. 7 is a bottom view of the cup holder; FIG. 8 is a right side perspective view of a second embodiment of a cup holder; FIG. 9 is a front view of the second embodiment of the cup holder; FIG. 10 is a back view of the second embodiment of the cup holder; FIG. 11 is a right side view of the second embodiment of the cup holder; FIG. 12 is a left side view of the second embodiment of the cup holder; FIG. 13 is a top view of the second embodiment of the cup holder; and, FIG. 14 is a bottom view of the second embodiment of the cup holder. The broken lines in the drawings illustrate portions of the cup holder that form no part of the claimed design.

1 Claim, 6 Drawing Sheets



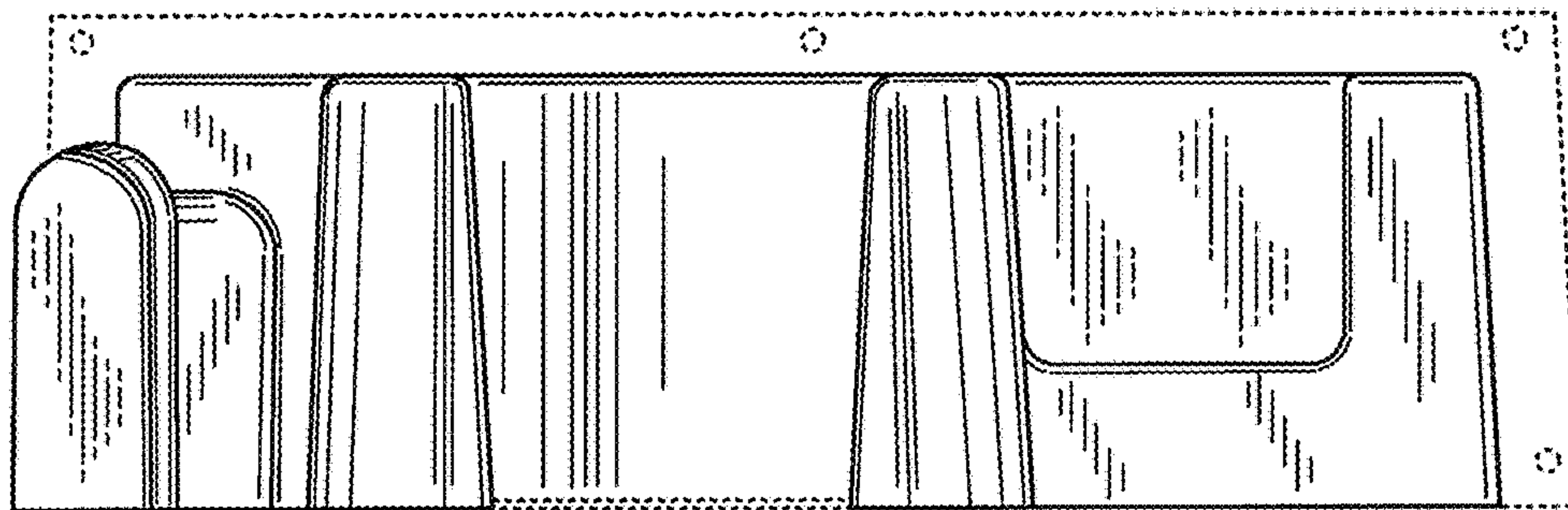
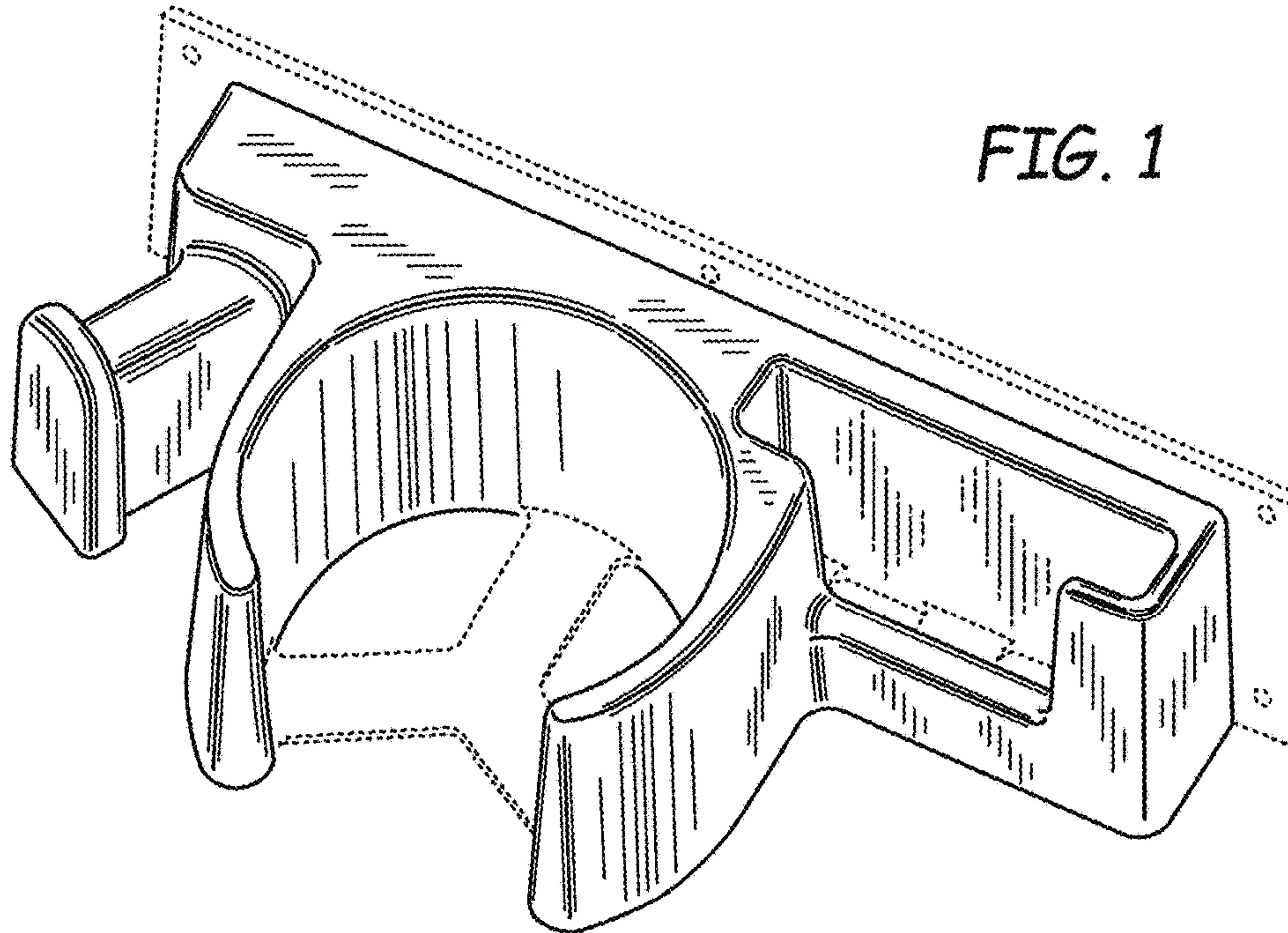


FIG. 2

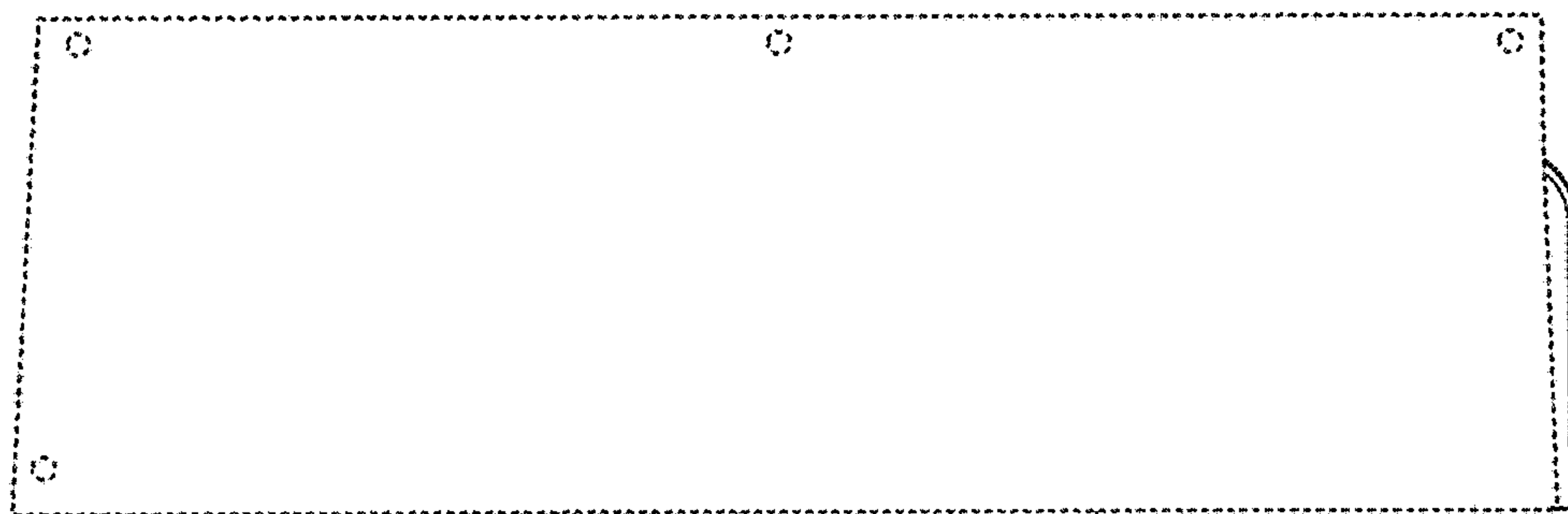


FIG. 3

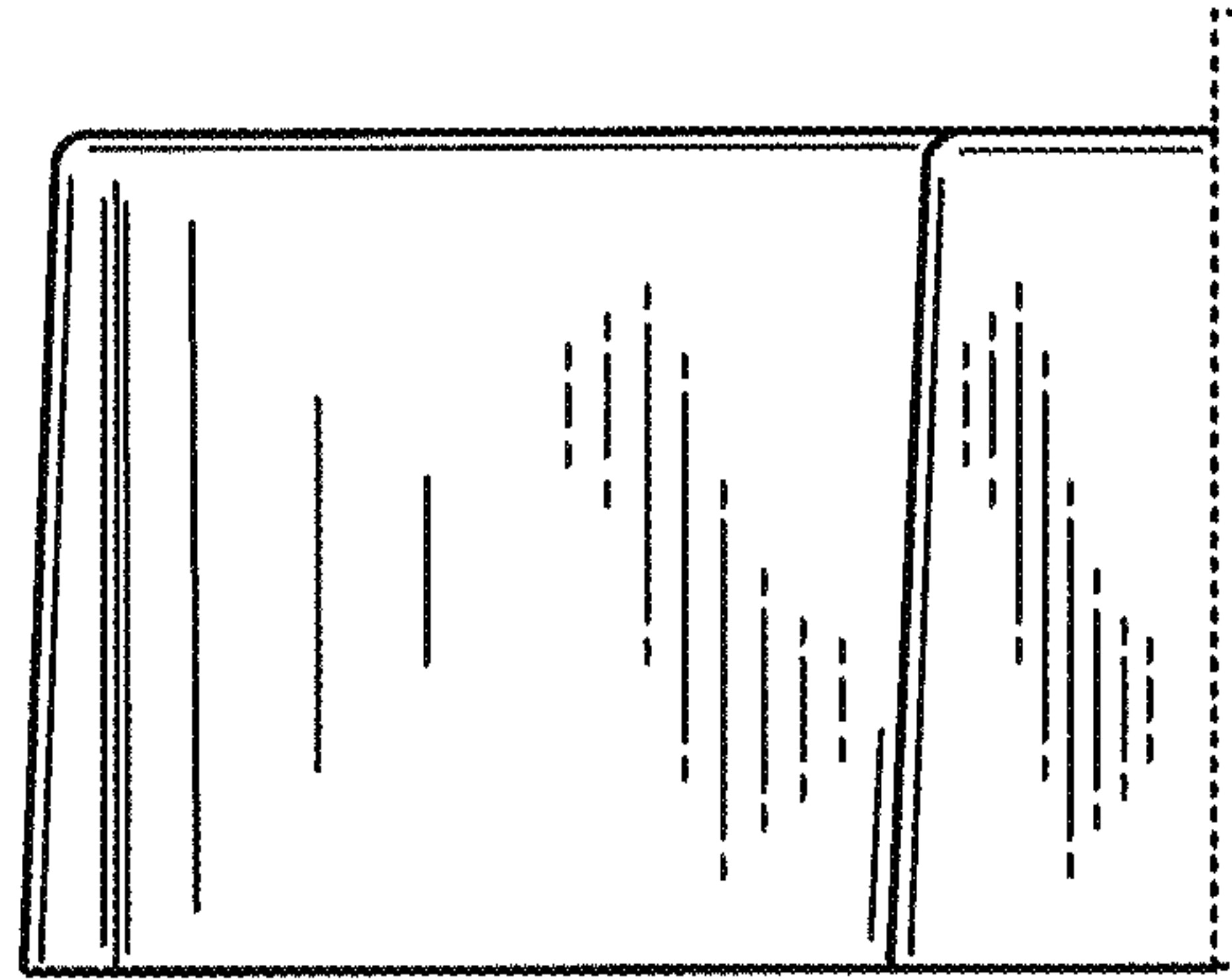


FIG. 4

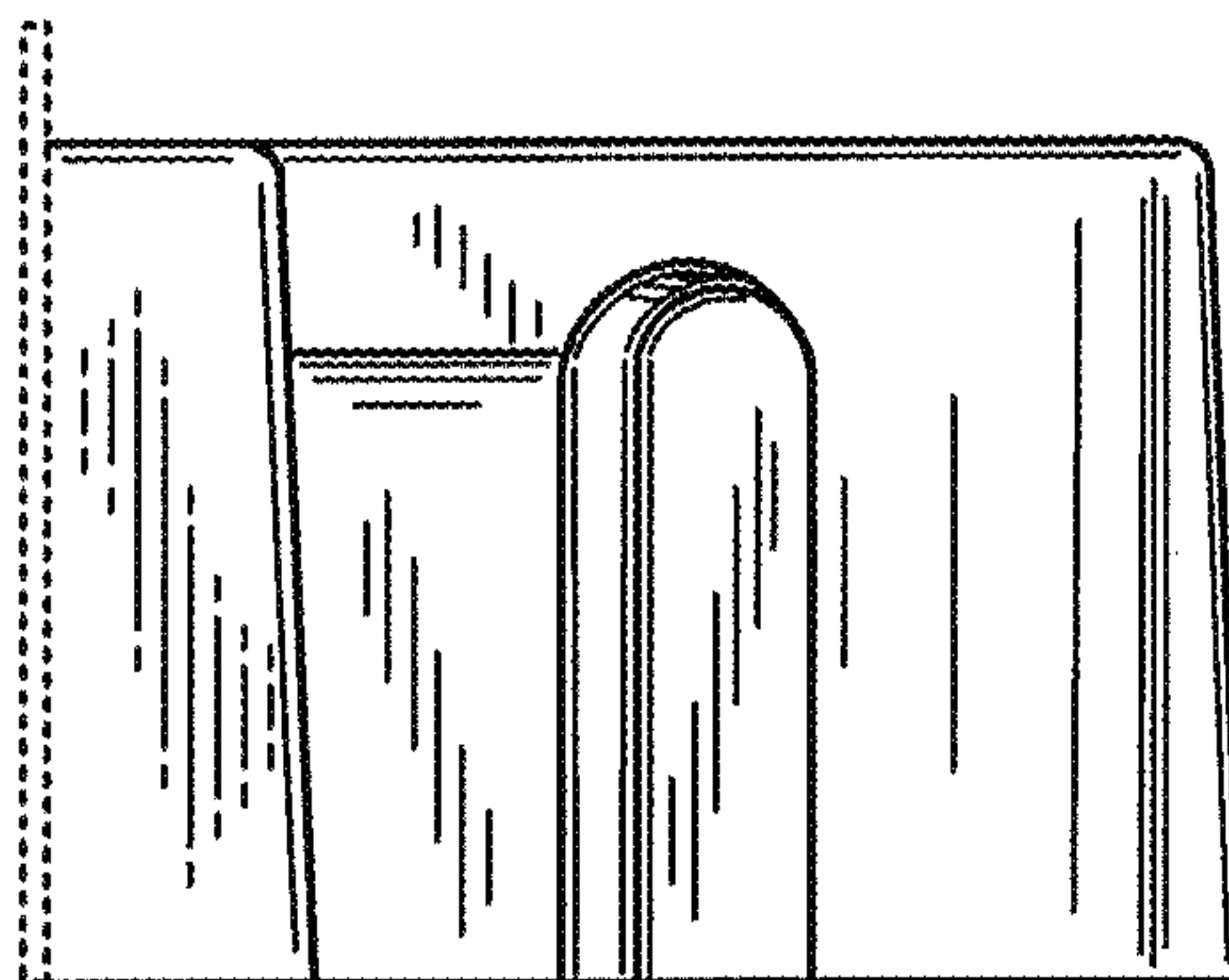


FIG. 5

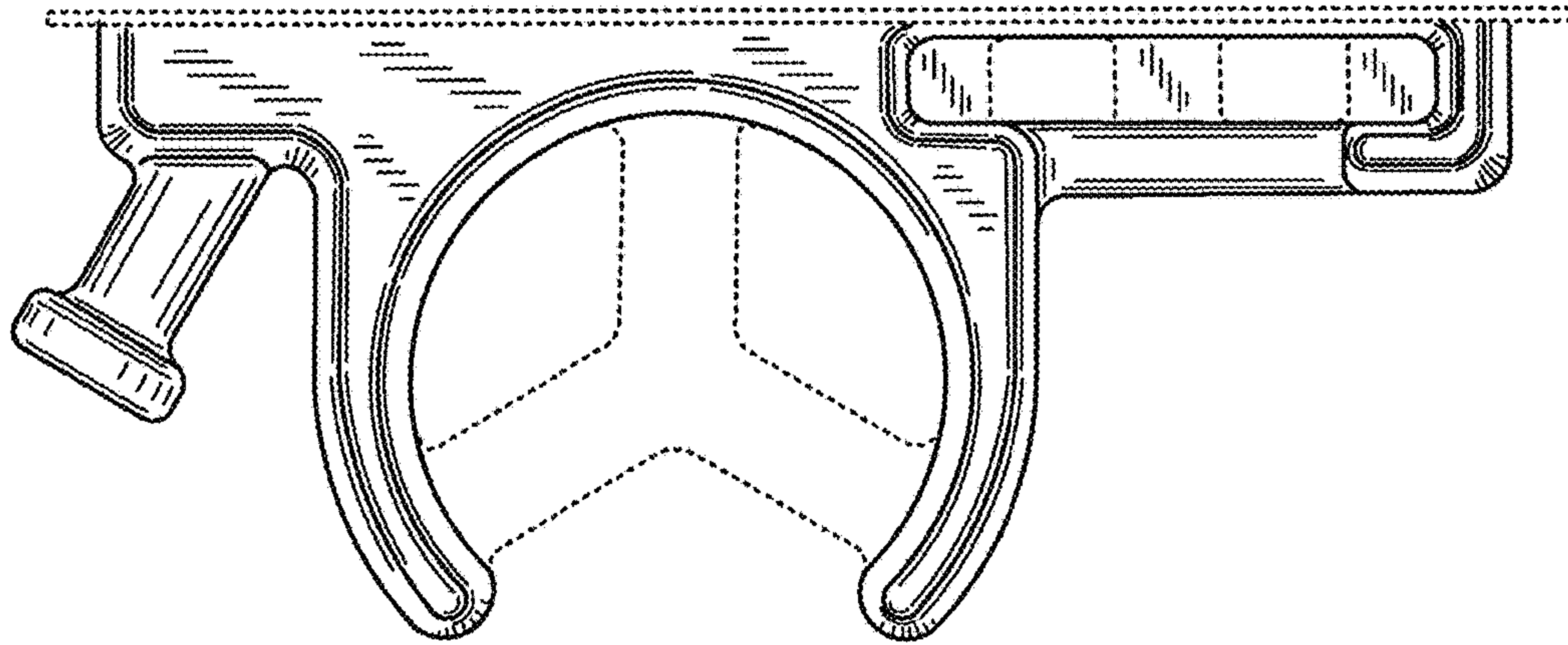


FIG. 6

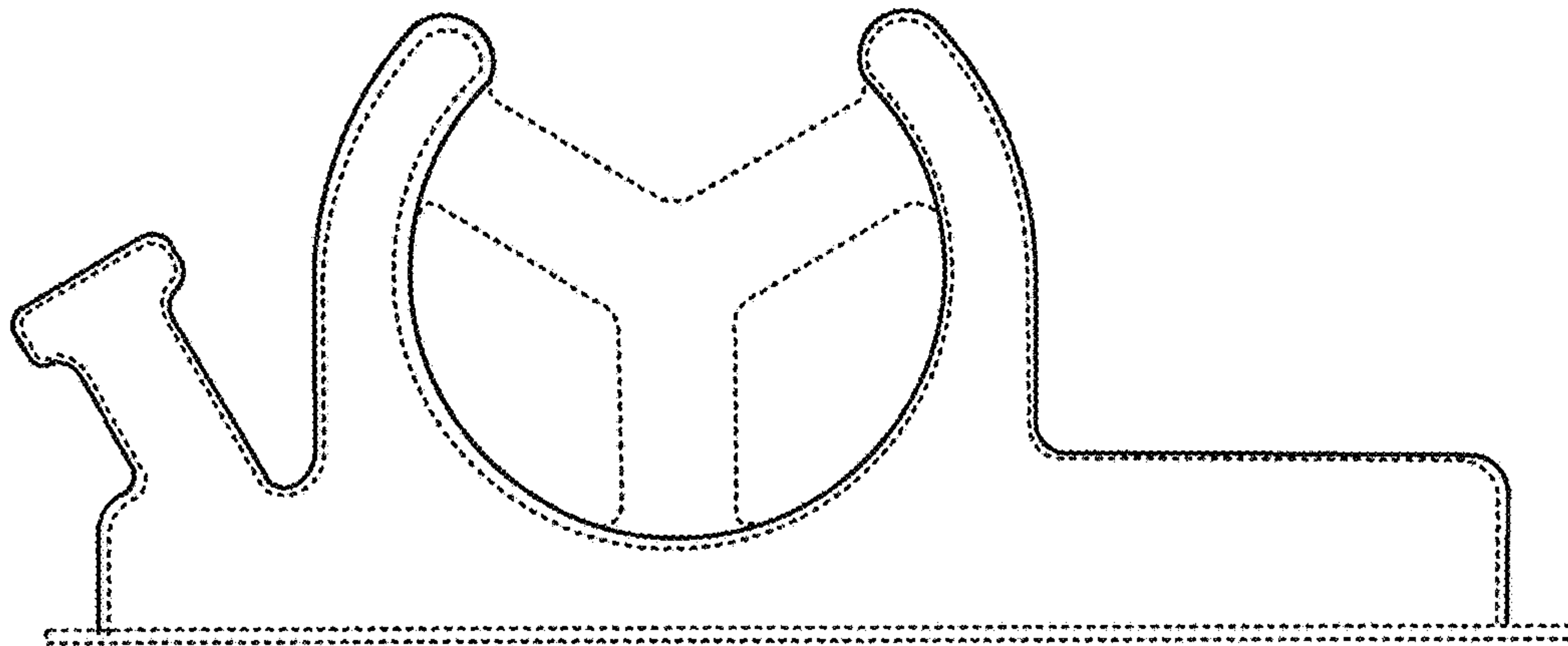


FIG. 7

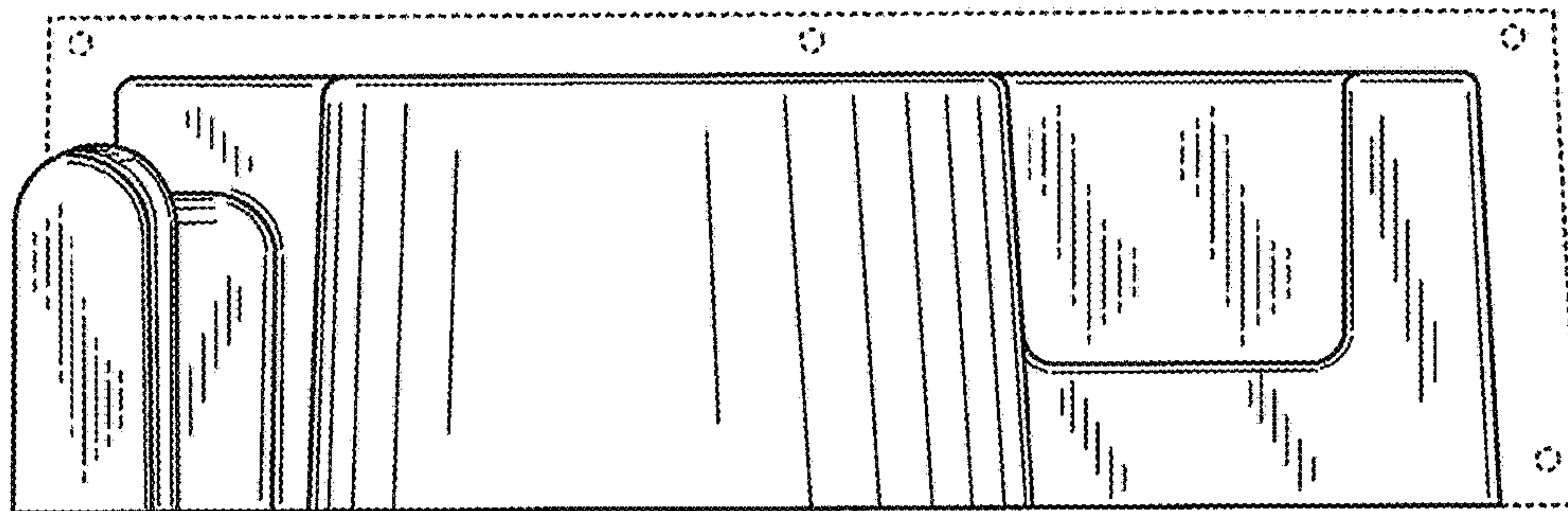
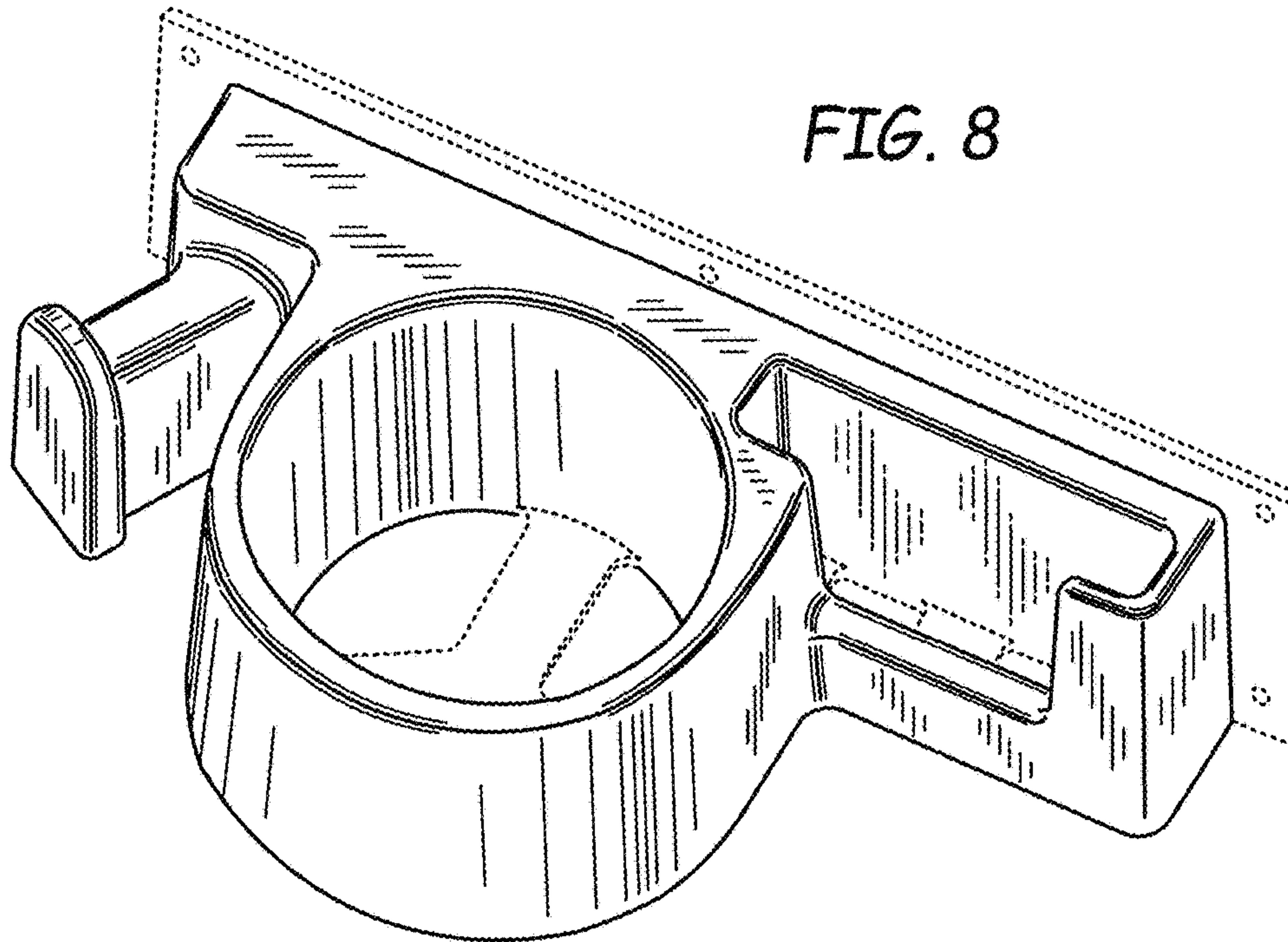


FIG. 9

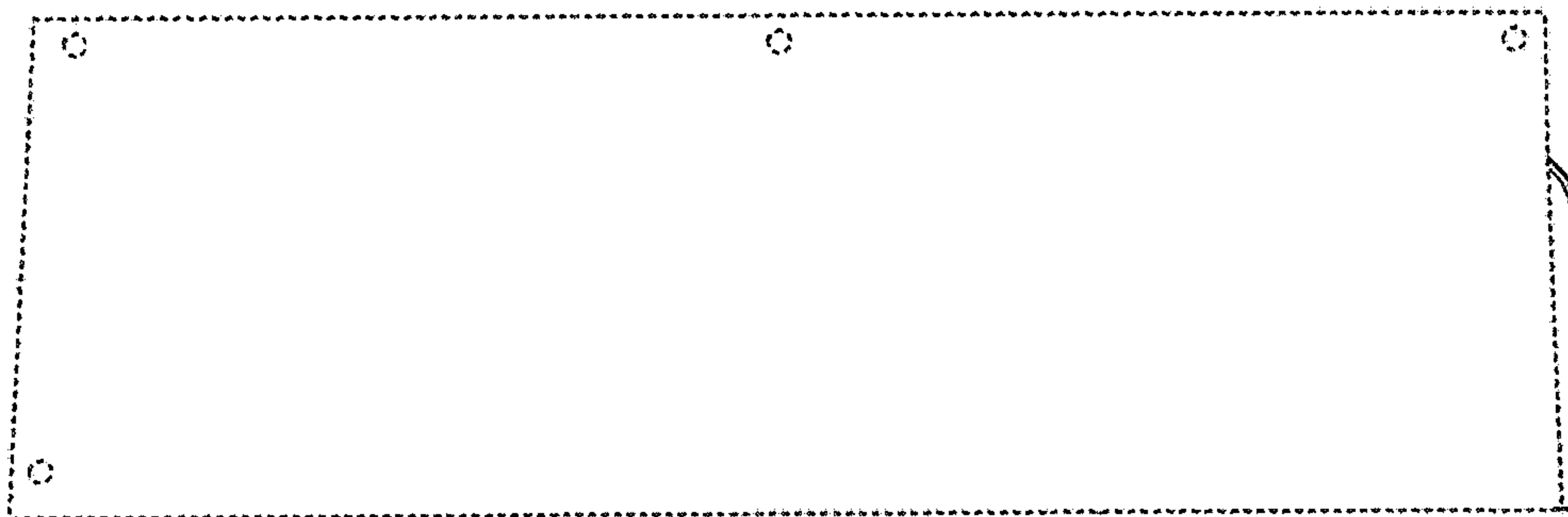


FIG. 10

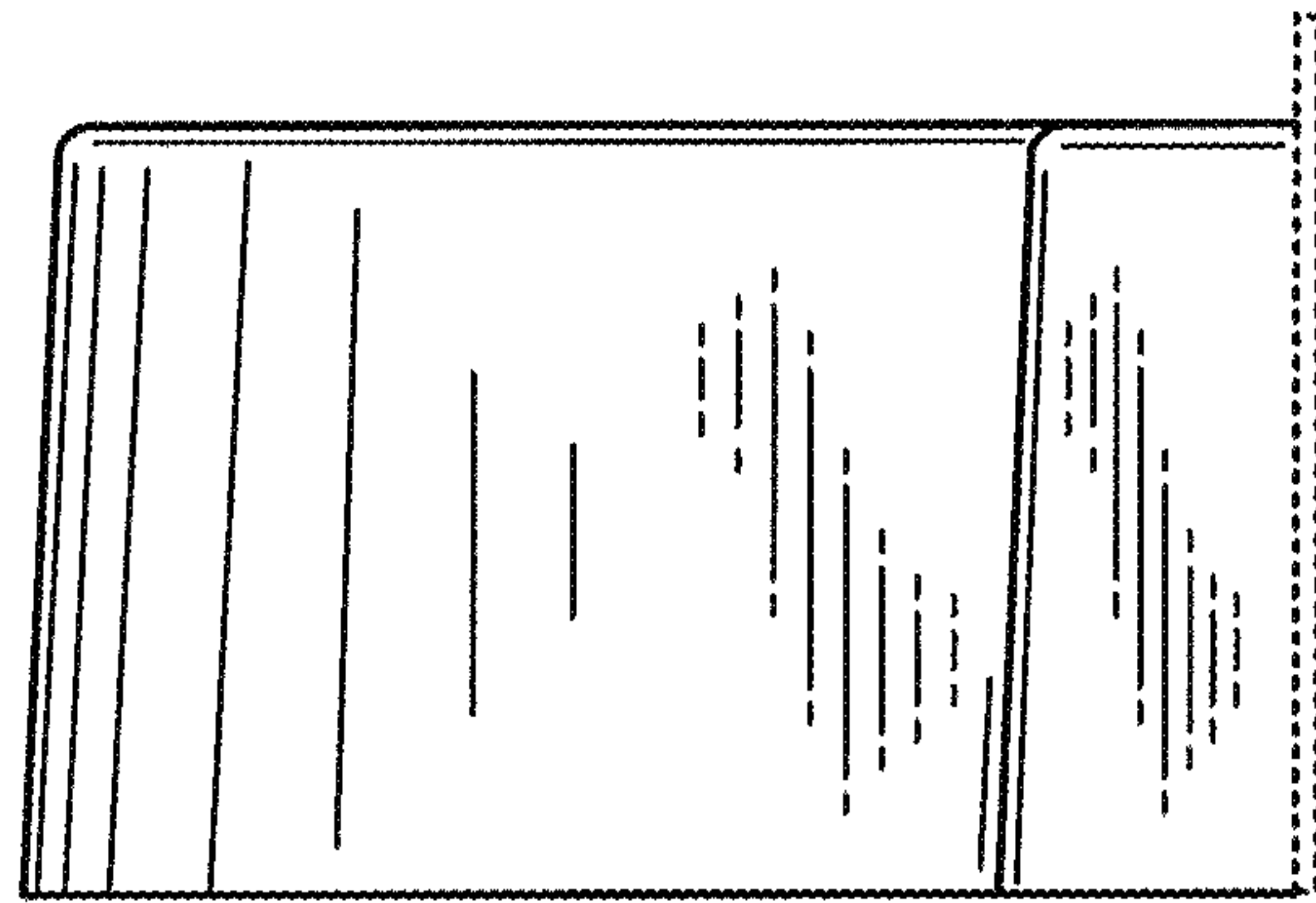


FIG. 11

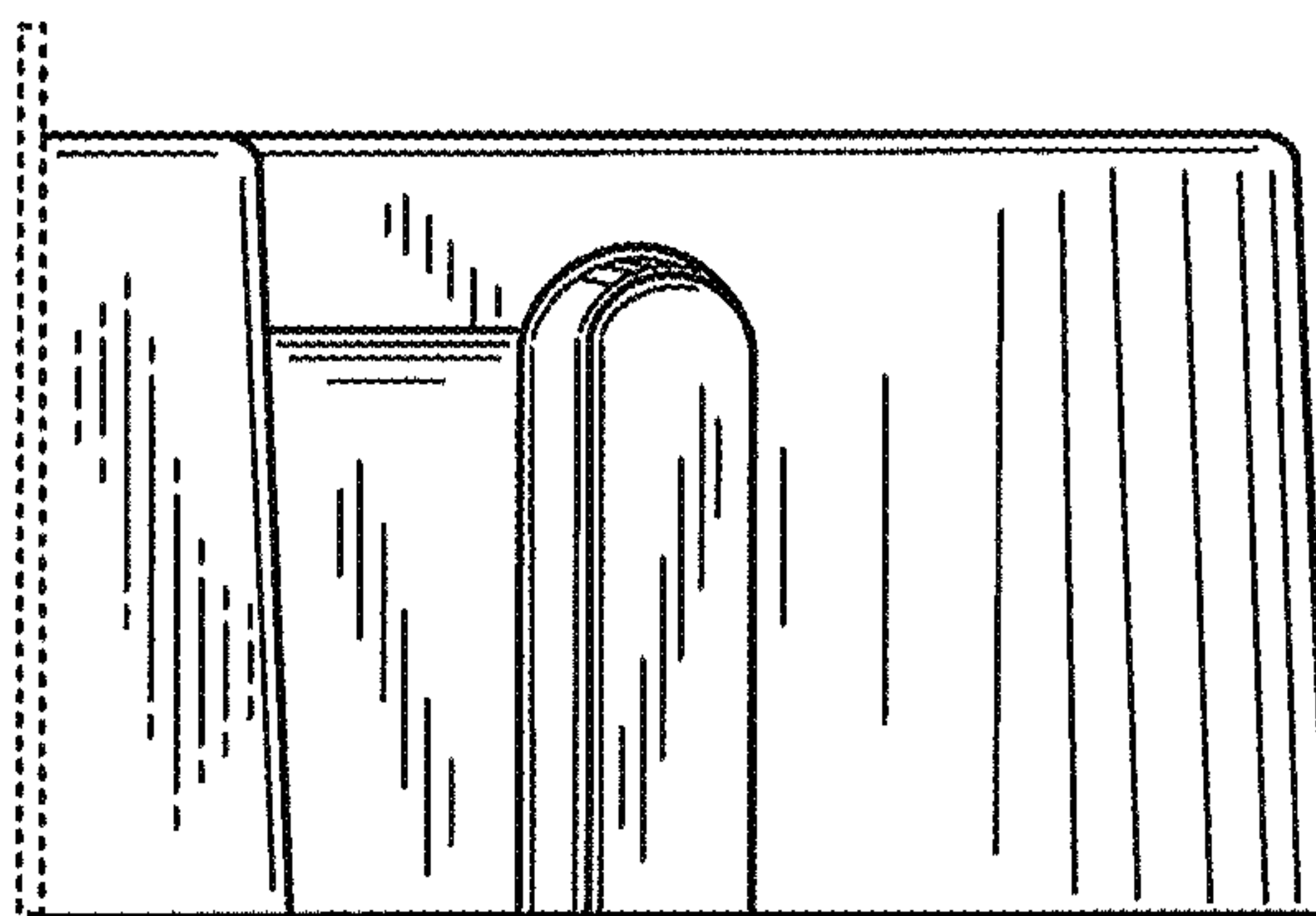


FIG. 12

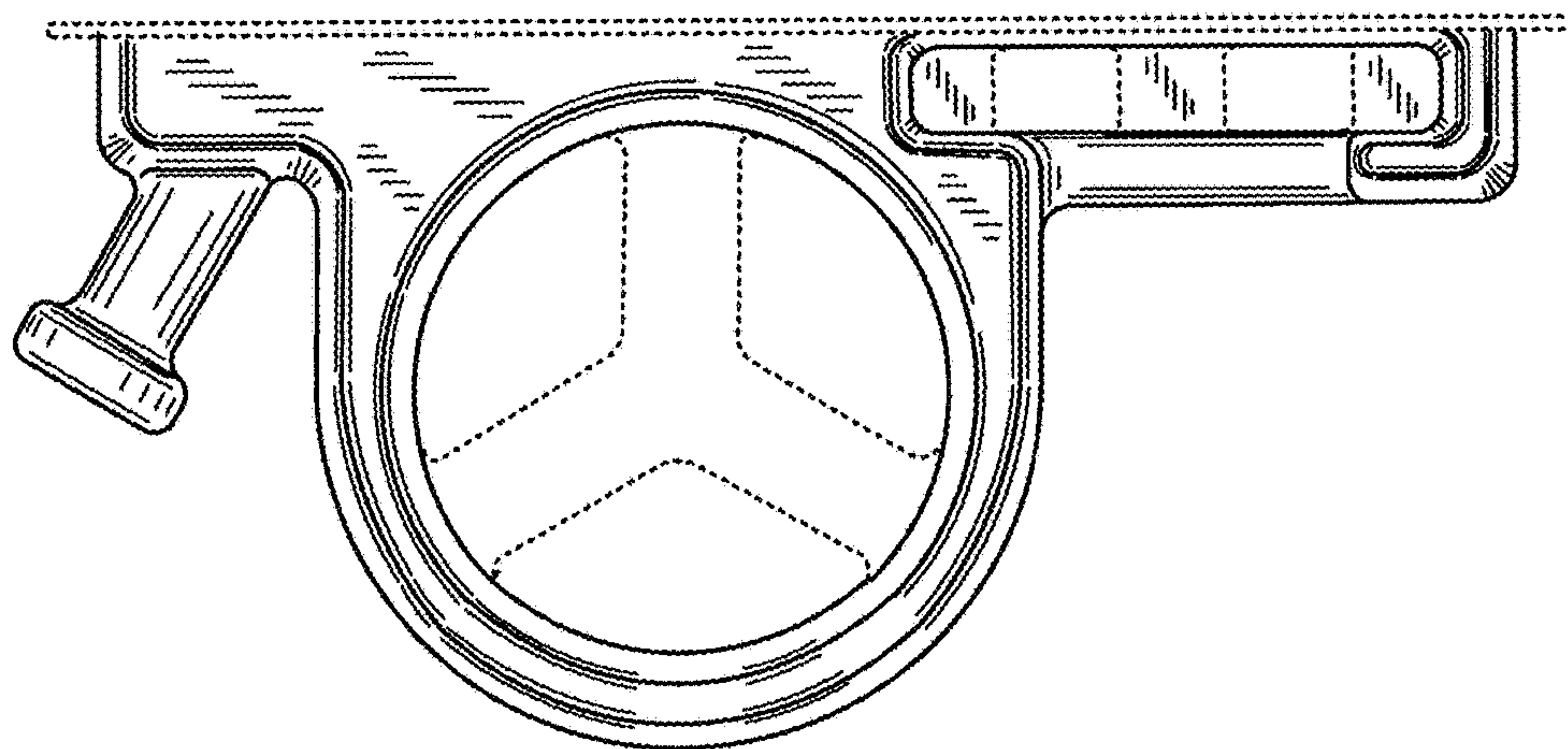


FIG. 13

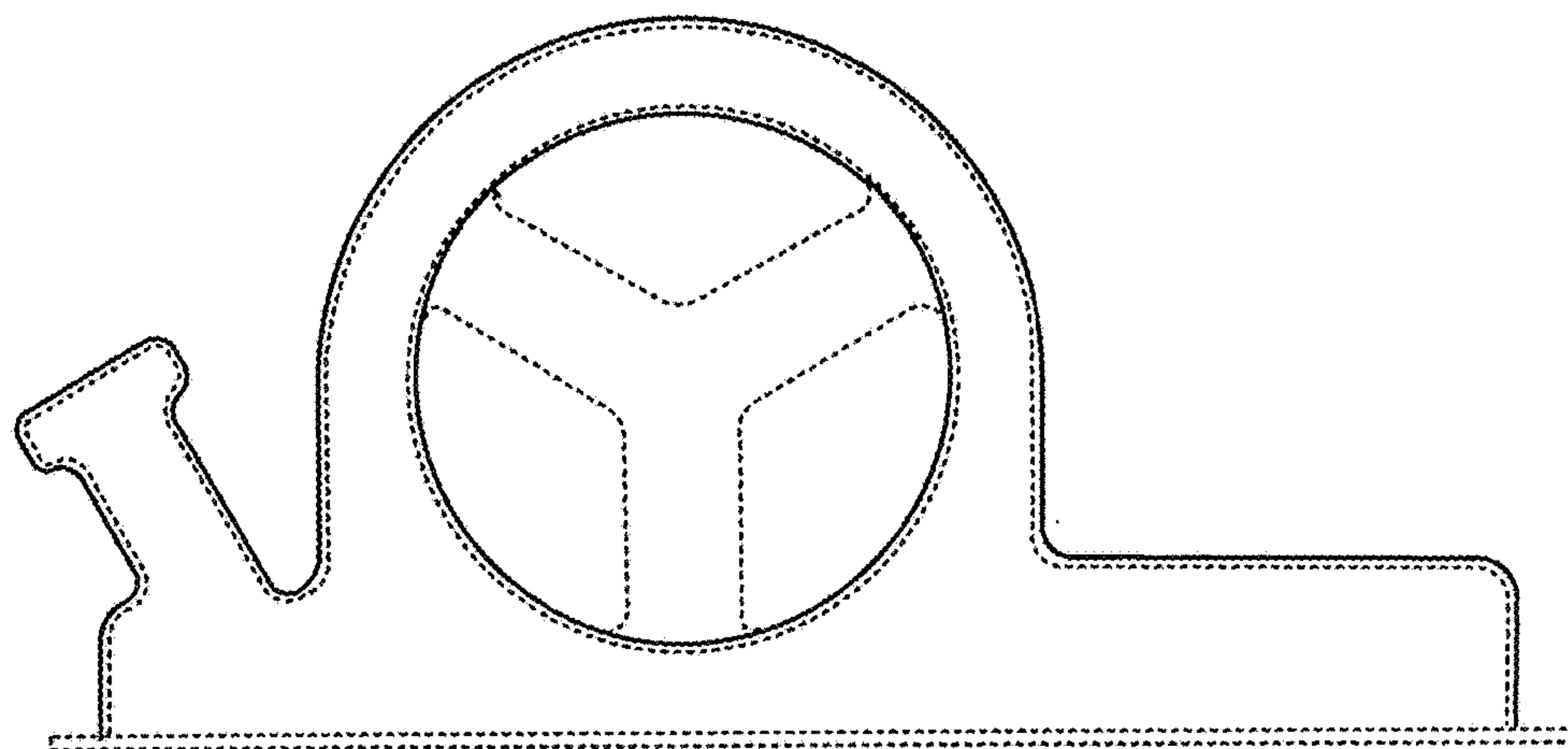


FIG. 14