



US00D826657S

(12) **United States Design Patent** (10) **Patent No.:** **US D826,657 S**
Joseph (45) **Date of Patent:** **** Aug. 28, 2018**

(54) **SPIRAL SLICER**

2015/0075011 A1* 3/2015 Harris A47J 17/02
30/279.6

(71) Applicant: **Joseph Joseph Ltd.**, London (GB)

* cited by examiner

(72) Inventor: **Antony Joseph**, London (GB)

Primary Examiner — Terry A Wallace

(73) Assignee: **Joseph Joseph Ltd.**, London (GB)

(74) *Attorney, Agent, or Firm* — Miller, White, Zelano, Branigan, P.C.

(**) Term: **15 Years**

(21) Appl. No.: **29/598,638**

(22) Filed: **Mar. 28, 2017**

(57) **CLAIM**

The ornamental design for a spiral slicer, as shown and described.

(30) **Foreign Application Priority Data**

Nov. 28, 2016 (EM) 003490242-0003

(51) **LOC (11) Cl.** **07-04**

(52) **U.S. Cl.**
USPC **D7/693**

(58) **Field of Classification Search**
USPC D7/693, 381, 669, 673, 675
CPC A47J 43/00; A47J 43/28; A47J 43/0722;
A47J 17/02; A47J 17/00; A47J 17/04;
A47J 17/06; A47J 17/08; A23N 7/00
See application file for complete search history.

DESCRIPTION

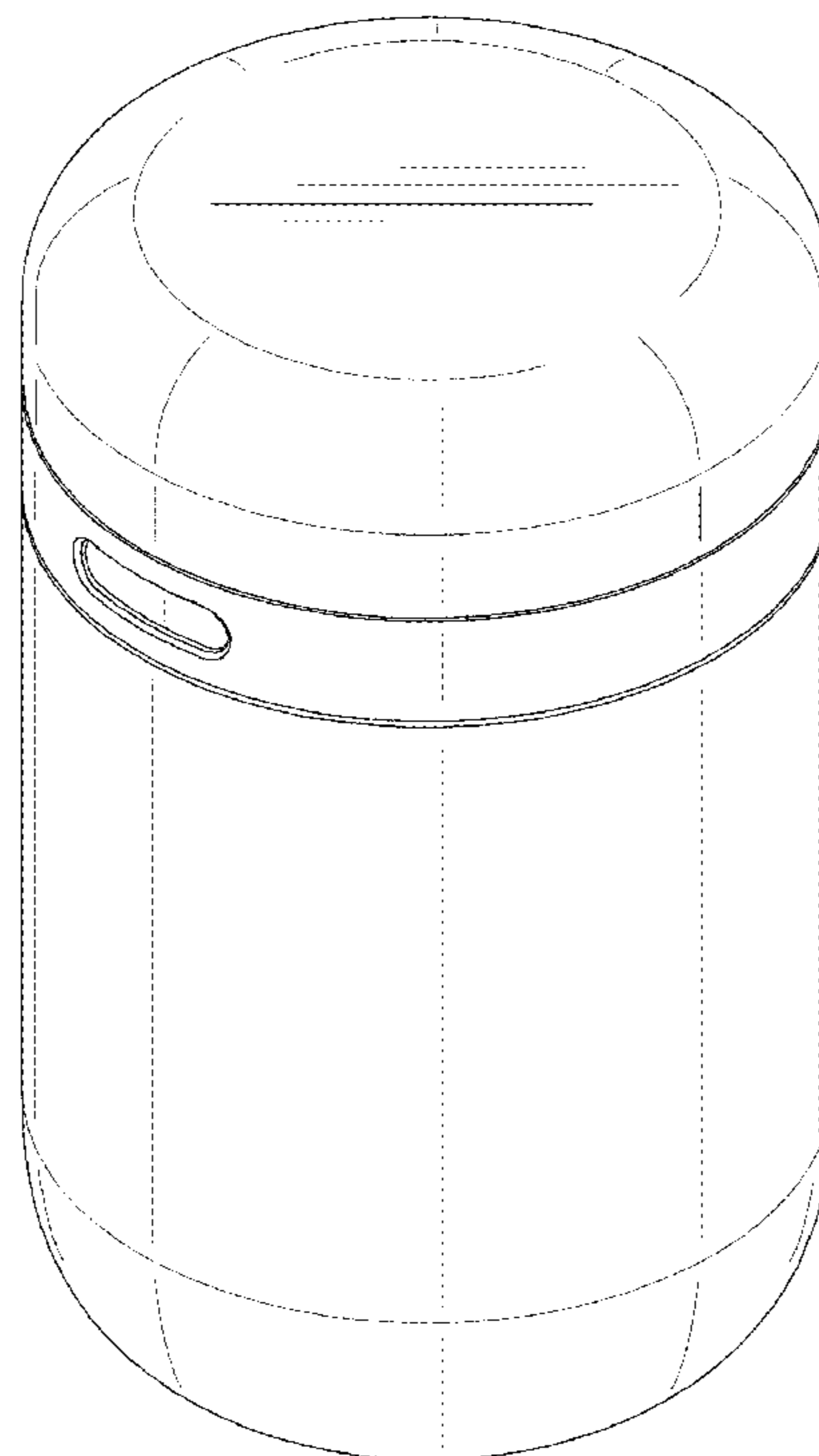
FIG. 1 is a top perspective view of the spiral slicer showing my new design.
FIG. 2 is a side view thereof.
FIG. 3 is another side view thereof.
FIG. 4 is top view thereof.
FIG. 5 is bottom view thereof.
FIG. 6 is a partially exploded top perspective view thereof.
FIG. 7 is another partially exploded top perspective view thereof; and,
FIG. 8 is a fully exploded bottom perspective view thereof.
The broken lines in the drawings illustrate portions of the spiral slicer which form no part of the claimed design.

(56) **References Cited**

U.S. PATENT DOCUMENTS

D689,347 S * 9/2013 Hainbach D7/693
2014/0030408 A1* 1/2014 Holcomb A23N 7/00
426/482

1 Claim, 8 Drawing Sheets



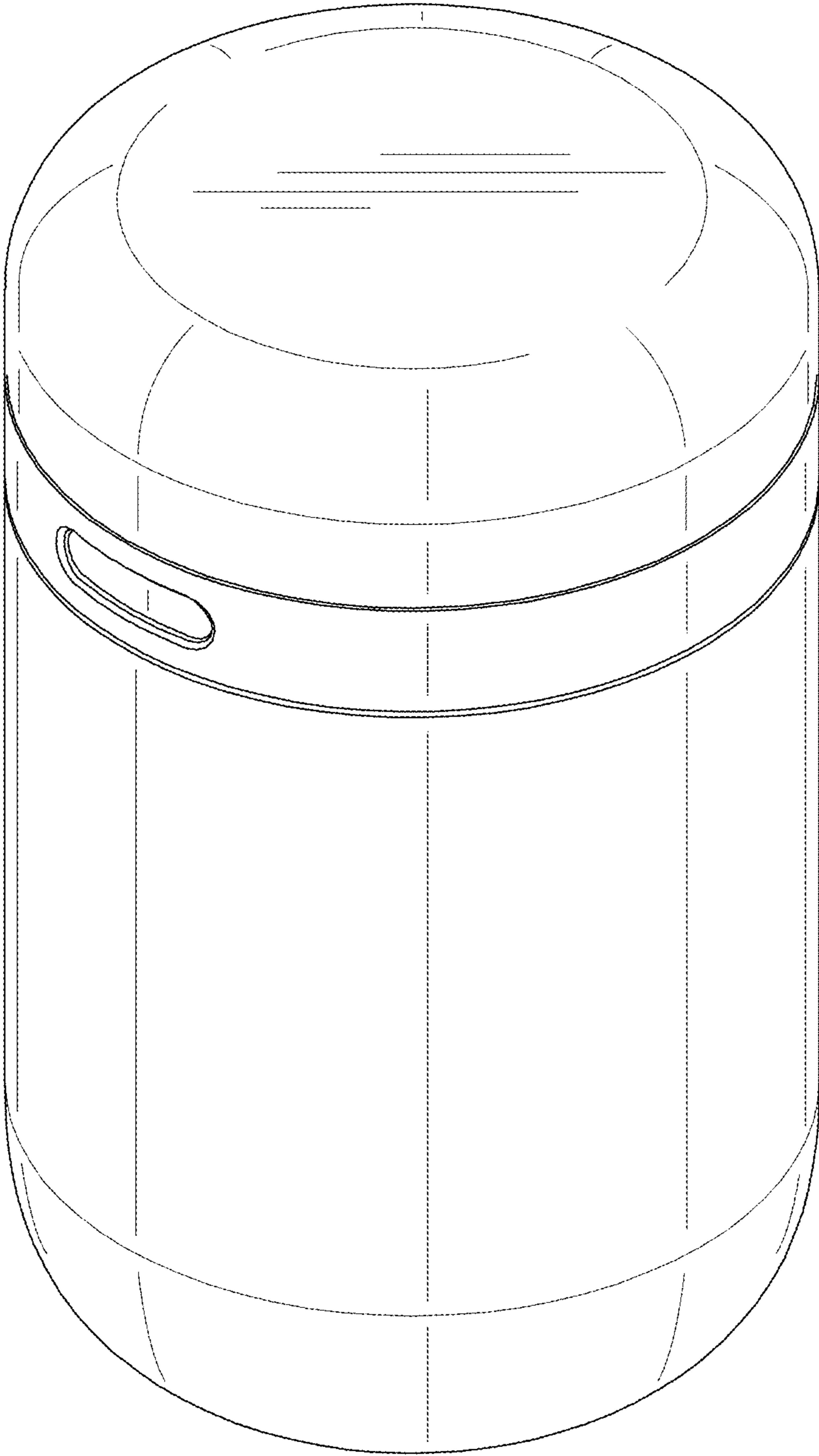


FIG. 1

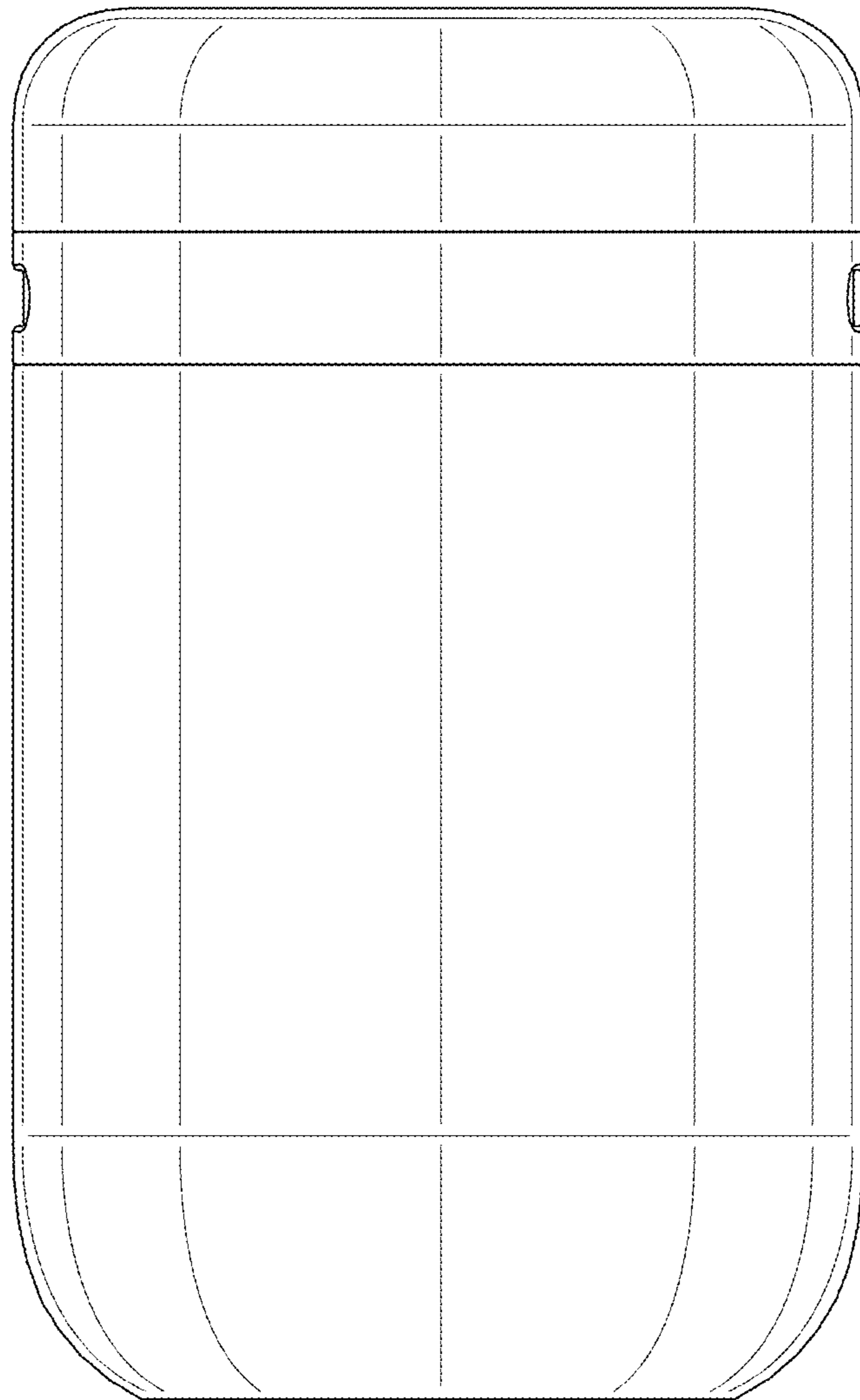


FIG. 2

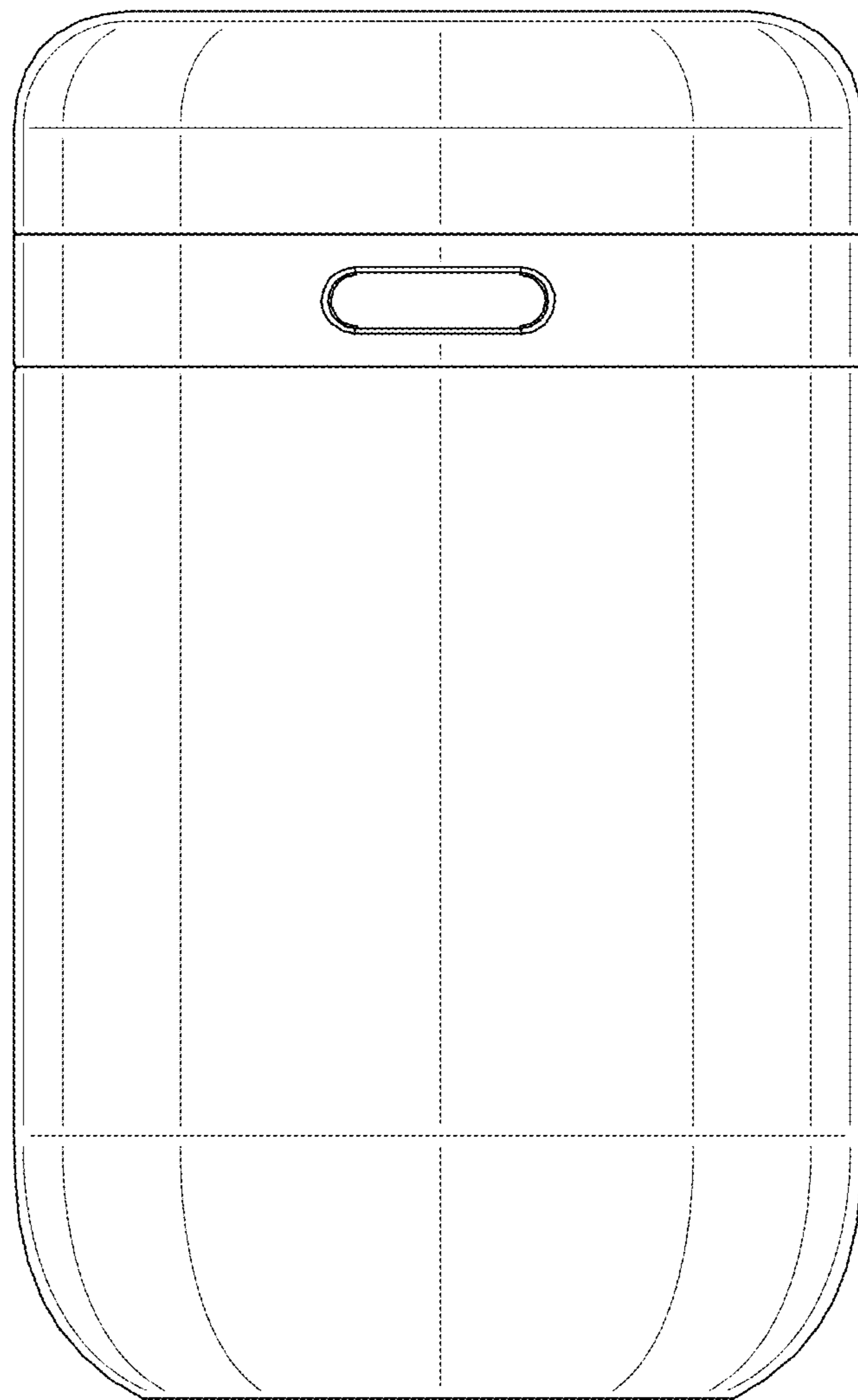


FIG. 3

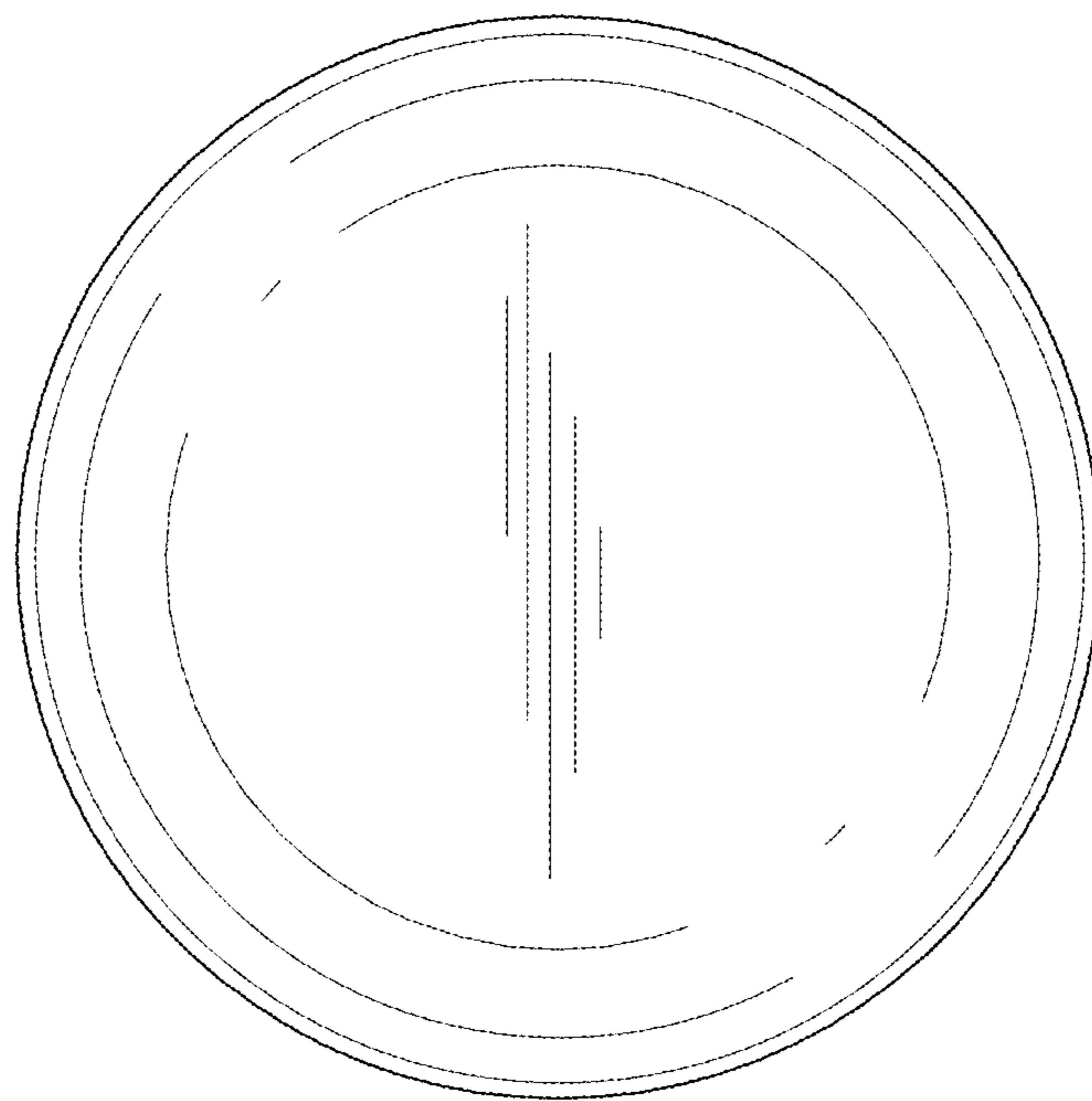


FIG. 4

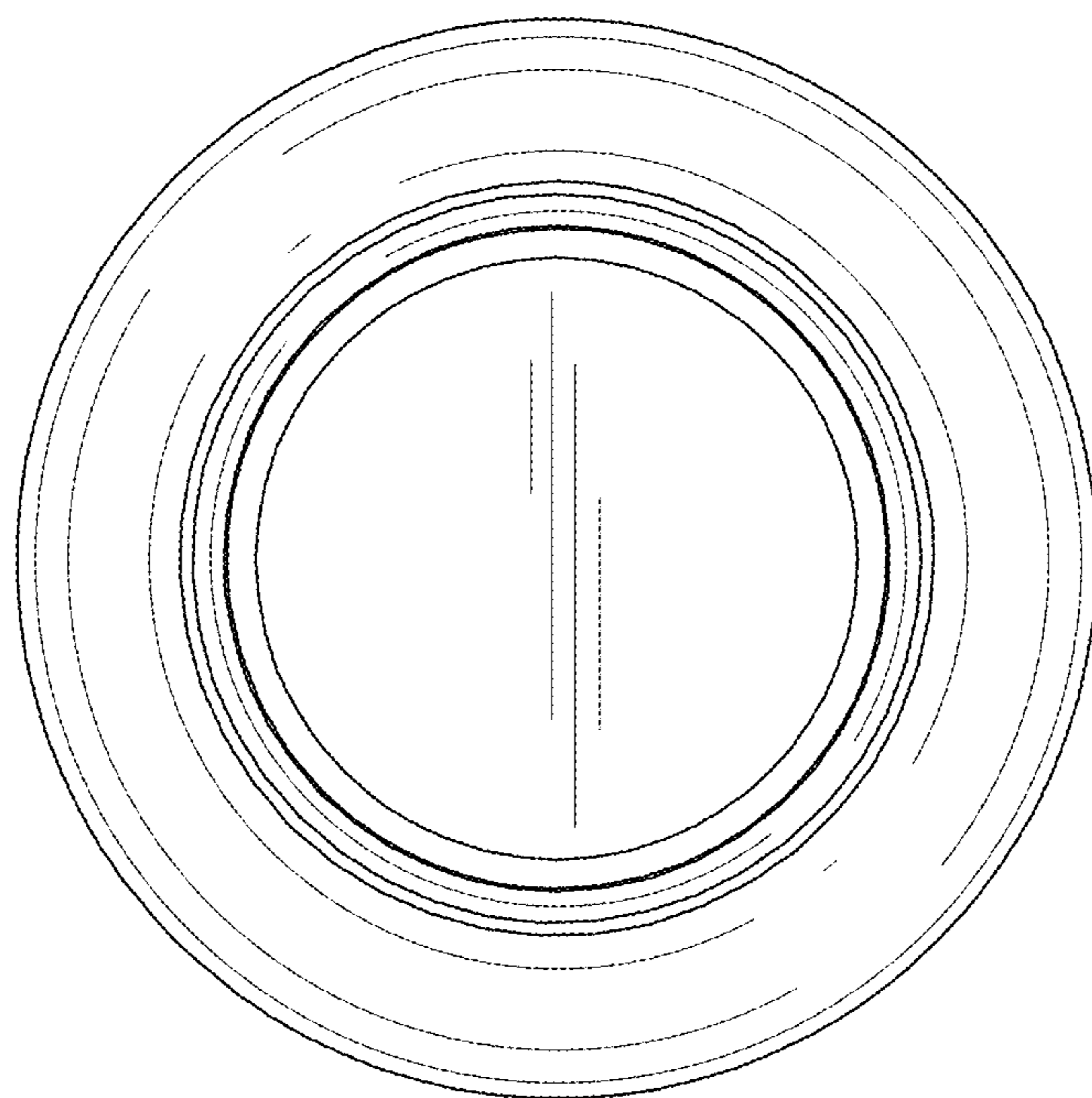


FIG. 5

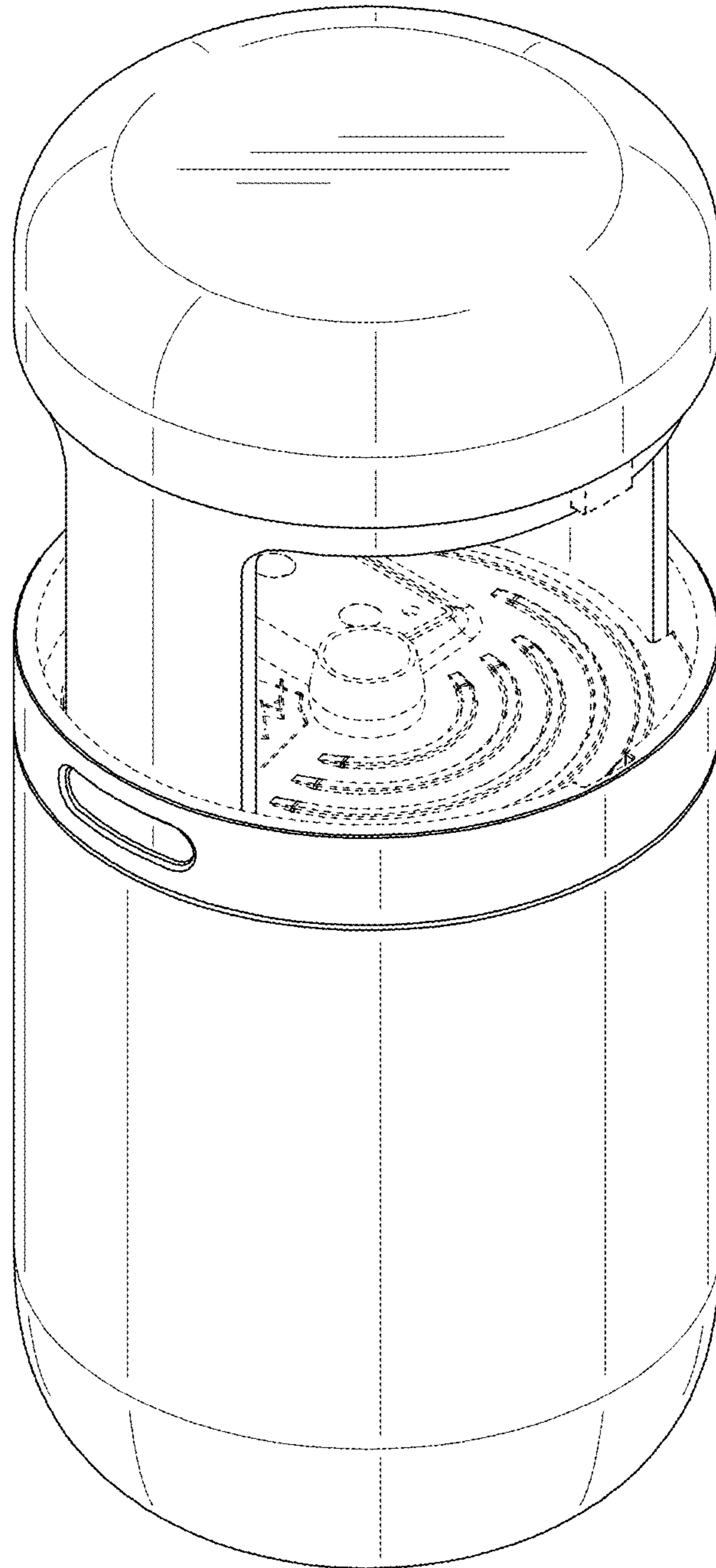


FIG. 6

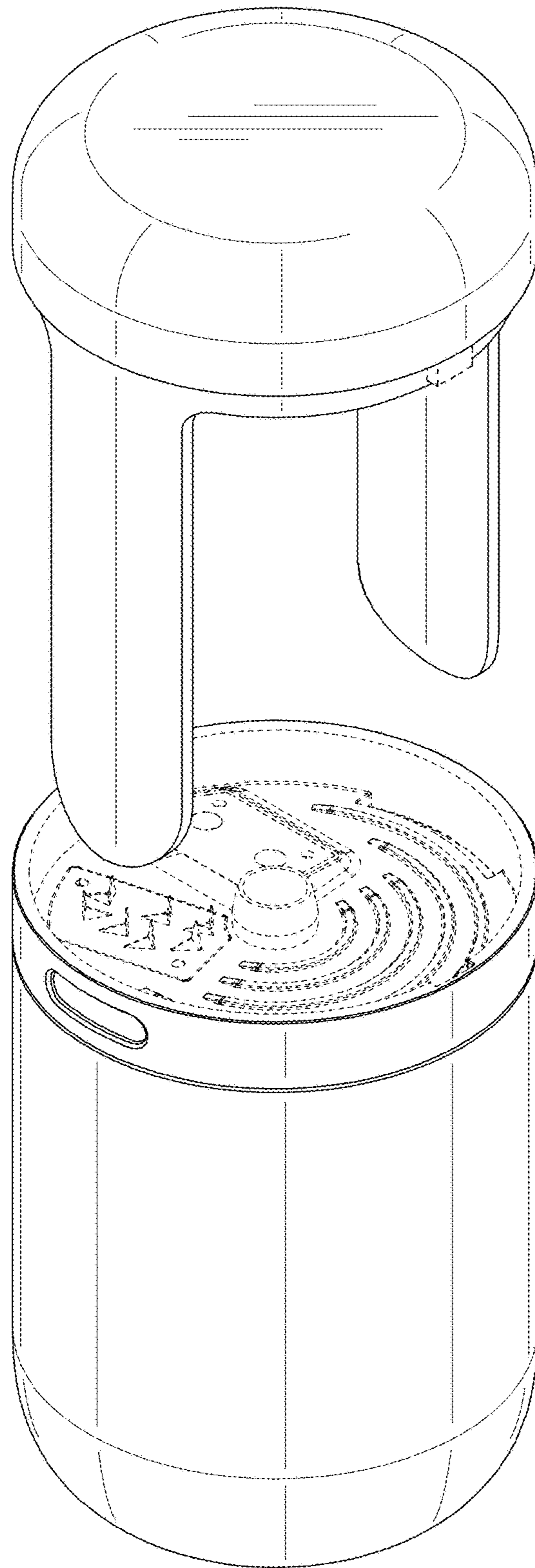


FIG. 7

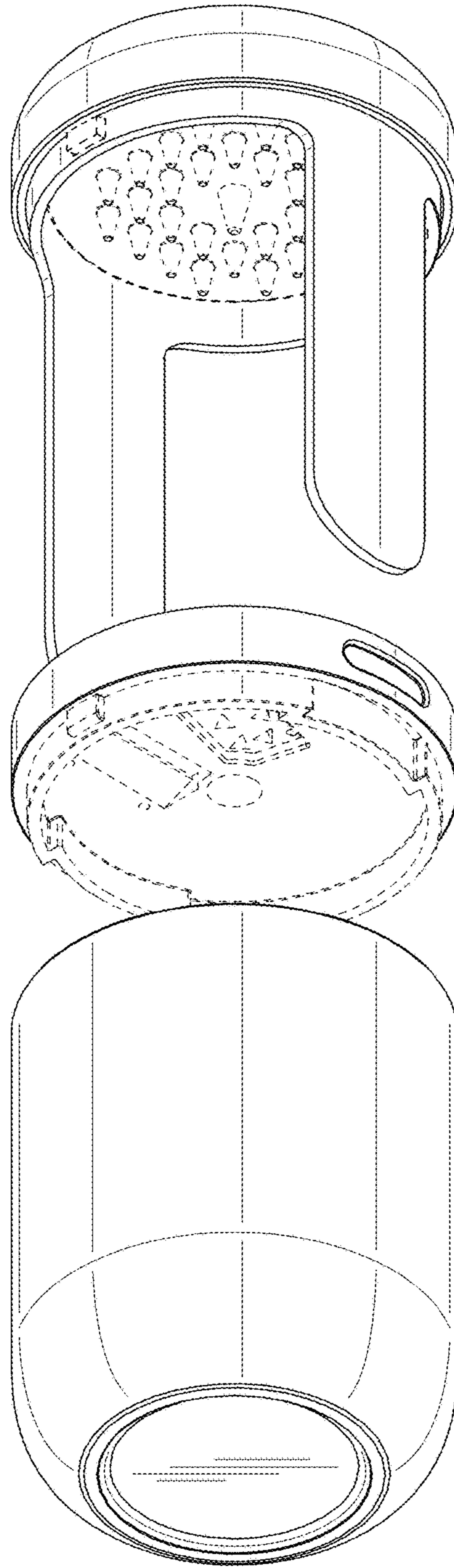


FIG. 8