



US00D826656S

(12) **United States Design Patent** (10) **Patent No.:** **US D826,656 S**
Loshuk (45) **Date of Patent:** **** Aug. 28, 2018**

(54) **TONGS**
(71) Applicant: **Mark A. Loshuk**, Fort Lauderdale, FL (US)
(72) Inventor: **Mark A. Loshuk**, Fort Lauderdale, FL (US)
(73) Assignee: **Mark Loshuk**
(**) Term: **15 Years**
(21) Appl. No.: **29/598,427**

(22) Filed: **Mar. 25, 2017**
(51) **LOC (11) Cl.** **07-06**
(52) **U.S. Cl.**
USPC **D7/686**
(58) **Field of Classification Search**
USPC D7/680-696, 669, 368, 393, 395
CPC .. A47J 43/283; B25J 7/00; B25B 9/02; C03B 35/20; B23D 63/023; A47G 21/02; A47G 21/10; A47G 21/103; A47G 21/106; A01G 7/06
See application file for complete search history.

(56) **References Cited**

U.S. PATENT DOCUMENTS

D487,003 S * 2/2004 de Groote D7/686
D505,599 S * 5/2005 Fiedeler D7/686

D509,999 S * 9/2005 Bertulis D7/686
D533,035 S * 12/2006 Bodum D7/686
D573,306 S * 7/2008 Yoo D28/21
D581,227 S * 11/2008 Pinkston D7/686
2001/0033083 A1* 10/2001 Kaposi A47G 21/10 294/99.2

* cited by examiner

Primary Examiner — Terry A Wallace

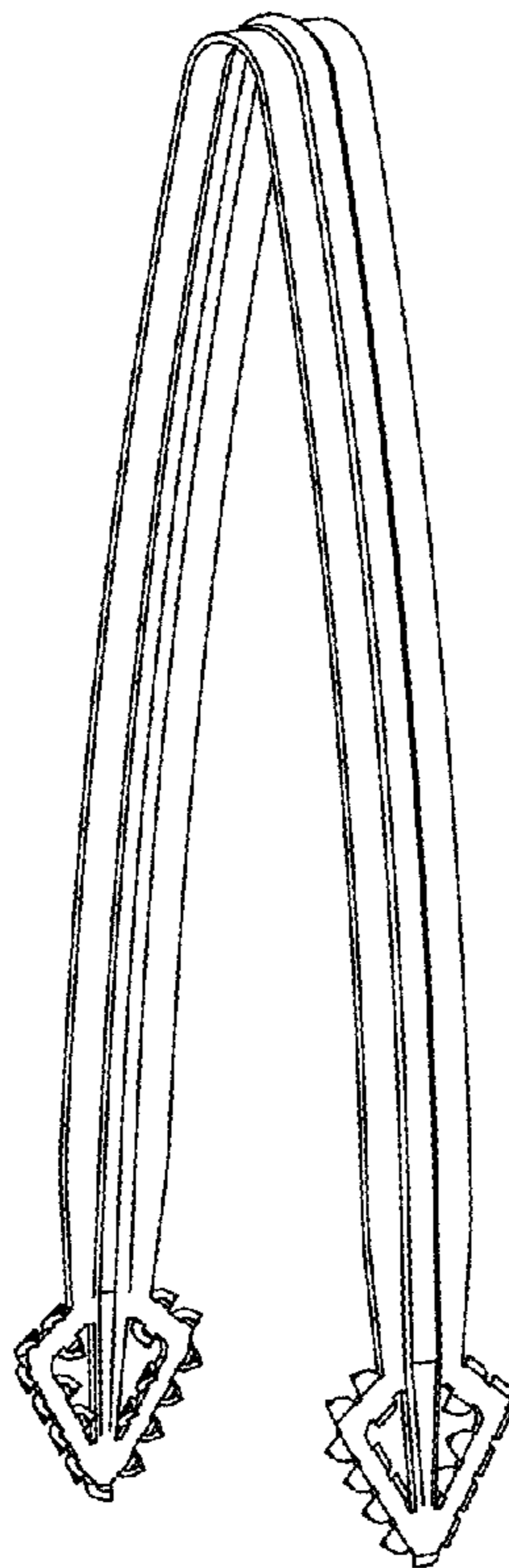
(57) **CLAIM**

The ornamental design for tongs, as shown and described.

DESCRIPTION

FIG. 1 is a front perspective view of tongs showing my new design;
FIG. 2 is an enlarged fragmentary view of the two ends of the tongs shown in FIG. 1;
FIG. 3 is another front perspective view of tongs shown in FIG. 1;
FIG. 4 is an enlarged fragmentary view of the two ends of the tongs shown in FIG. 3;
FIG. 5 is a front view of the tongs shown in FIG. 1, the back view being a mirror image;
FIG. 6 is a left side view of the tongs shown in FIG. 1, the right side view being a mirror image;
FIG. 7 is a top view of the tongs shown in FIG. 1; and,
FIG. 8 is a bottom view of the tongs shown in FIG. 1.

1 Claim, 7 Drawing Sheets



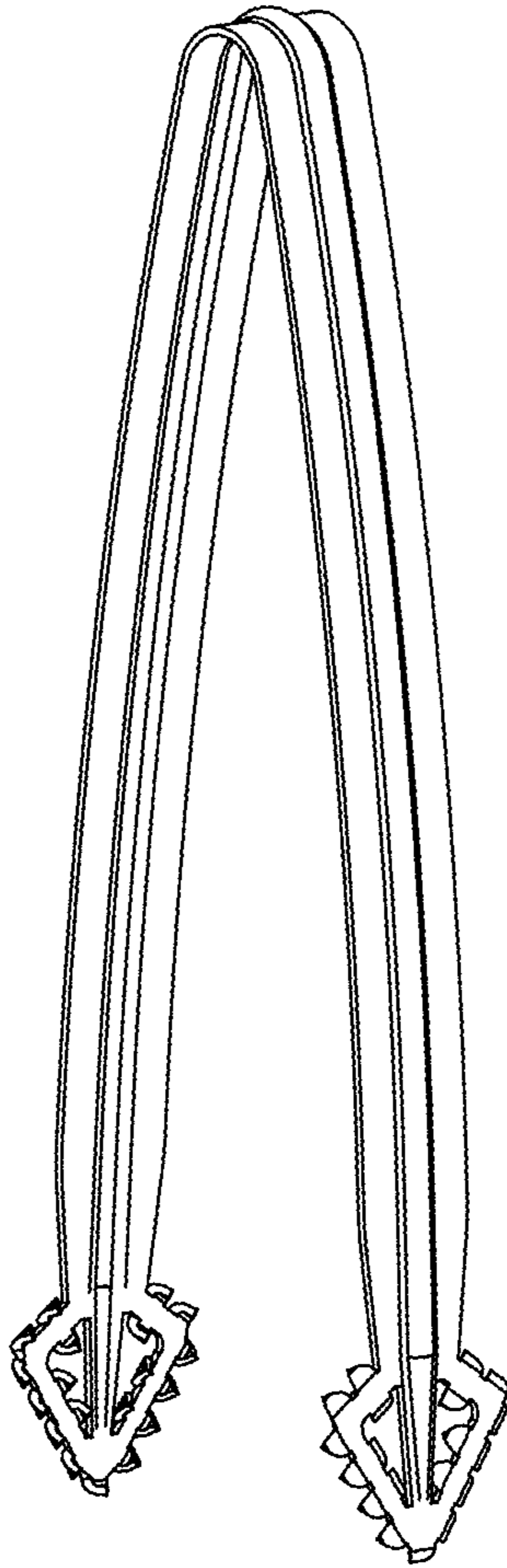


FIG. 1

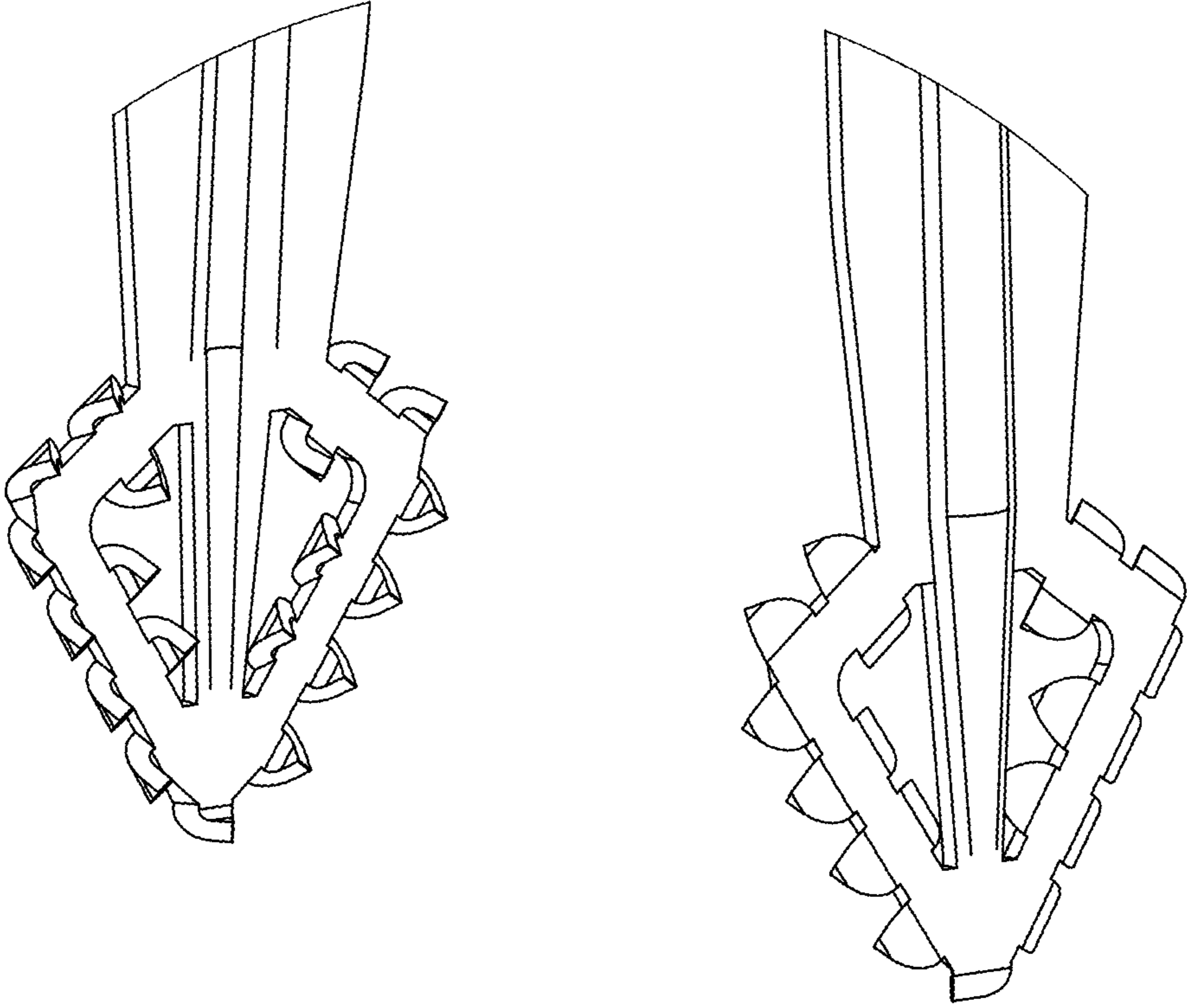


FIG.2

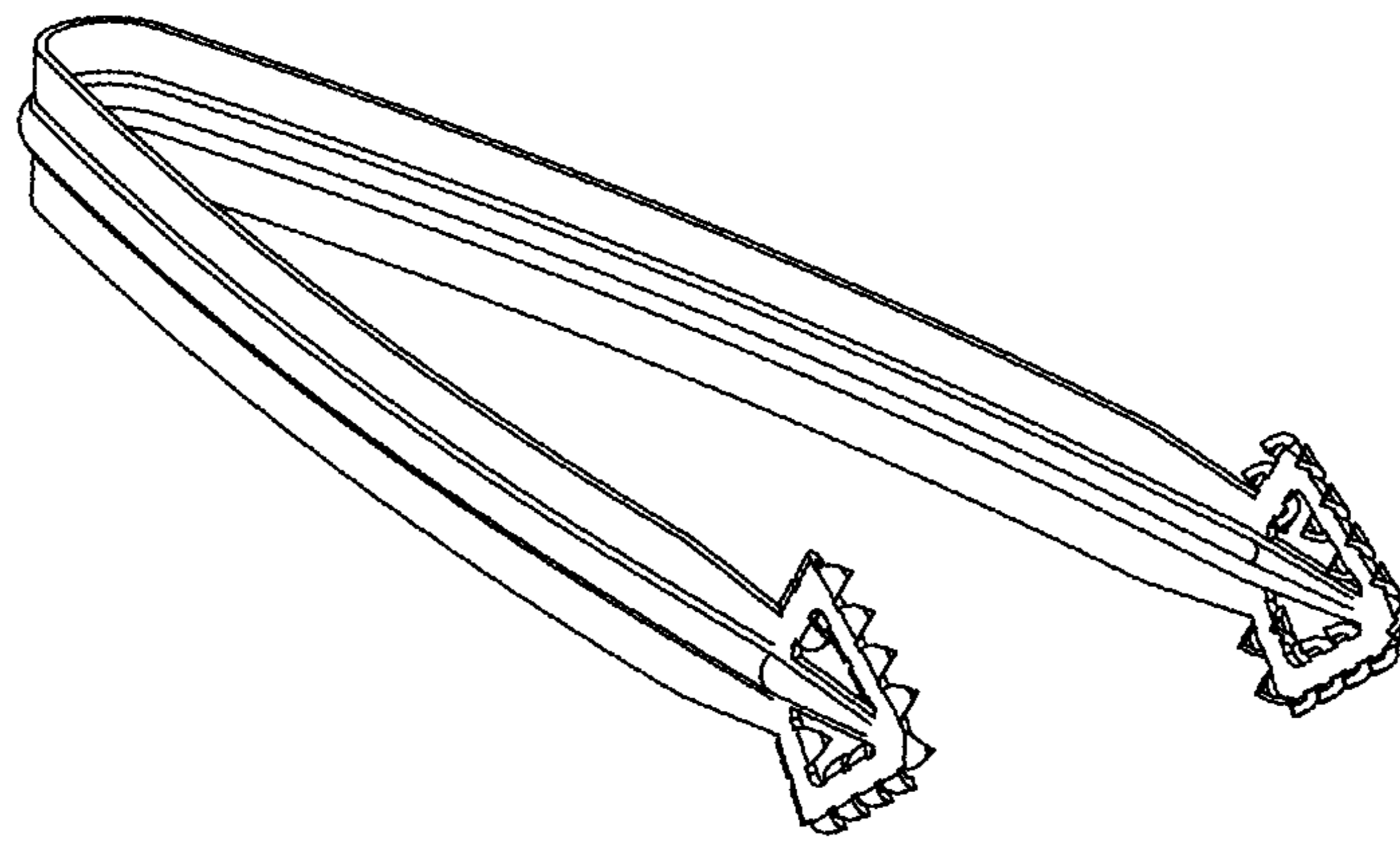


FIG.3

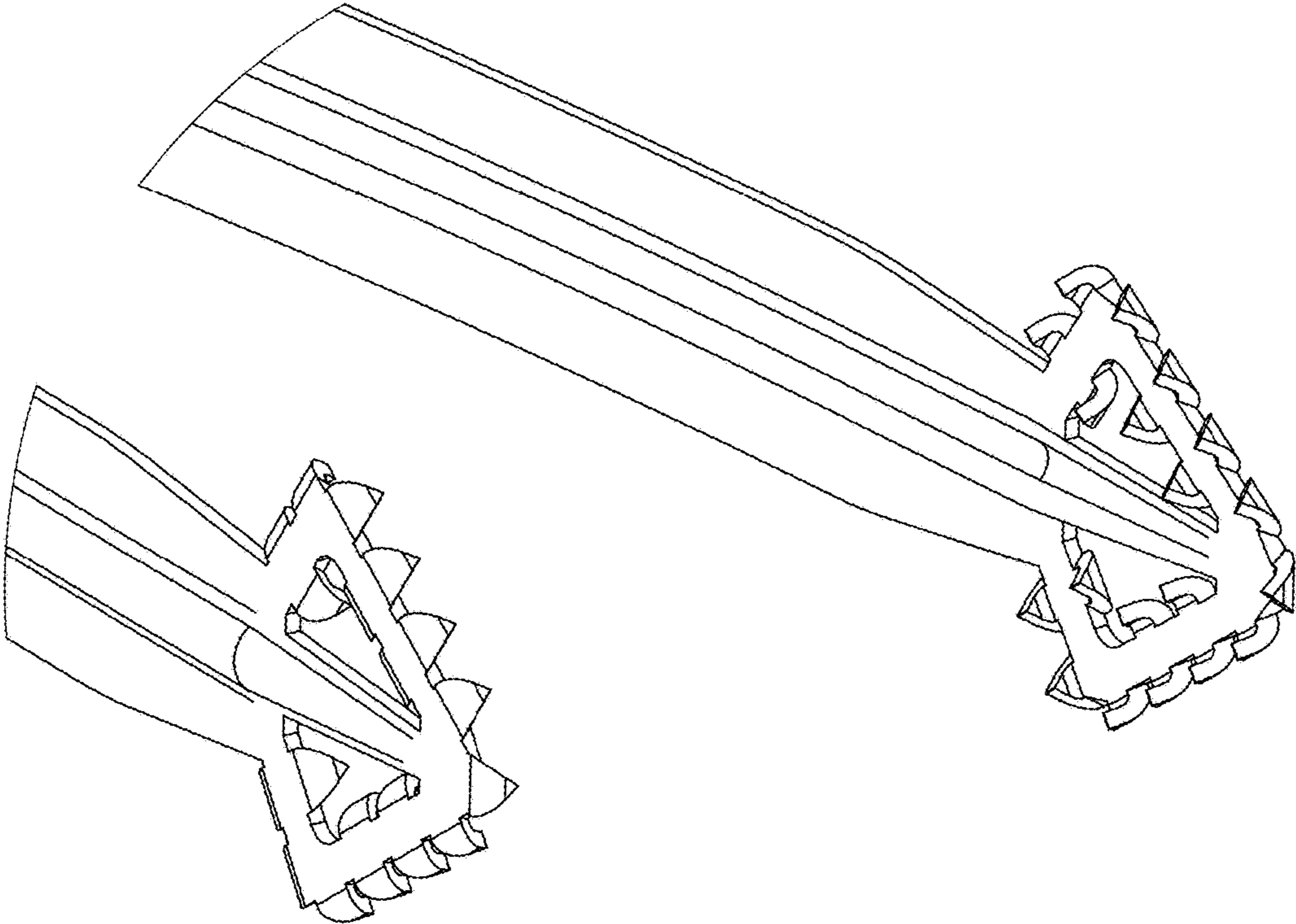


FIG. 4

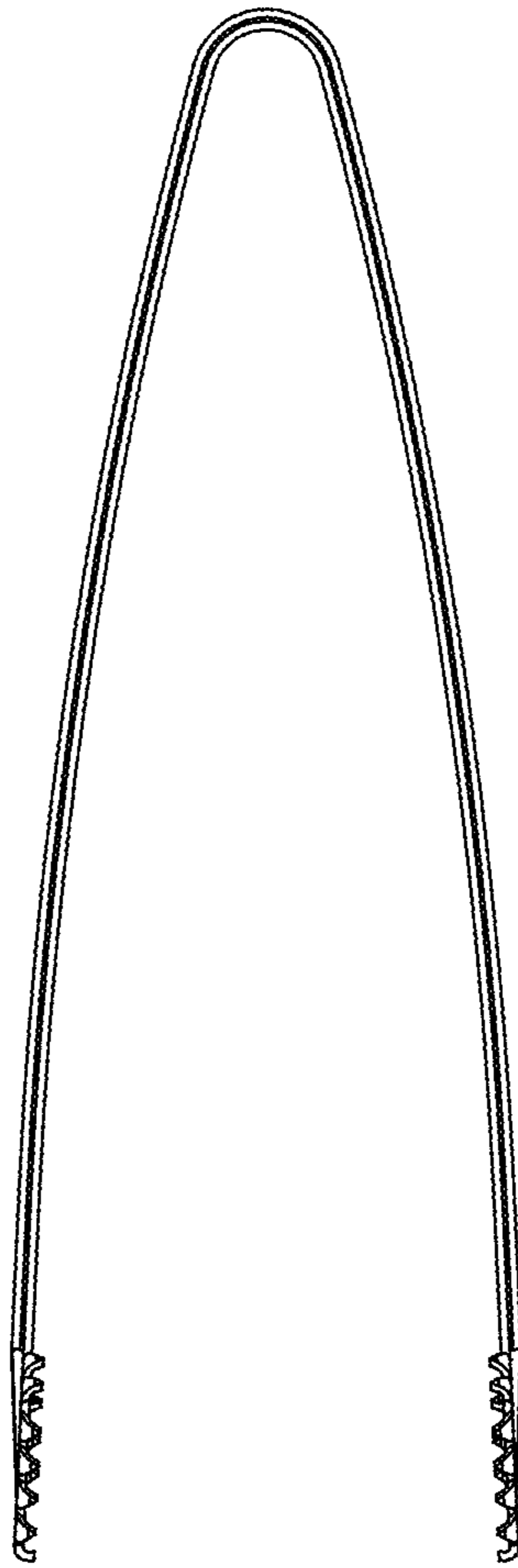


FIG.5

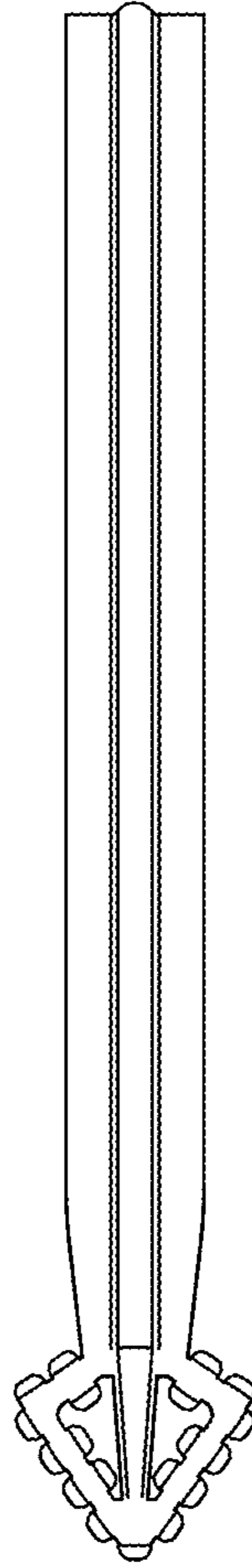


FIG.6

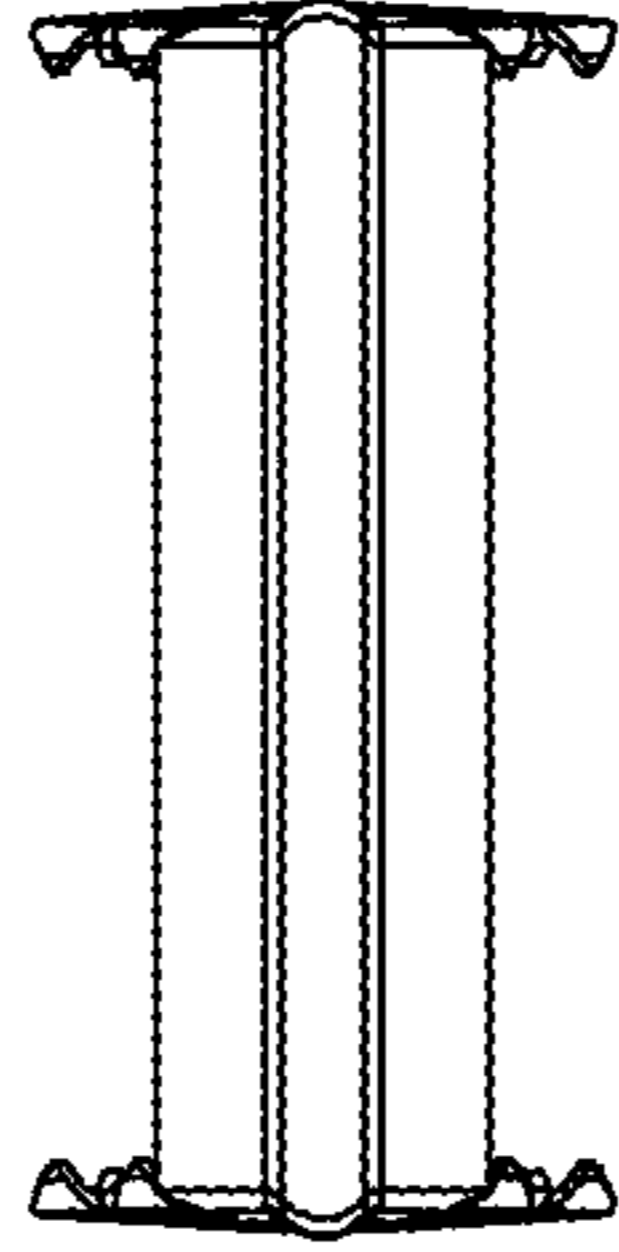


FIG. 7

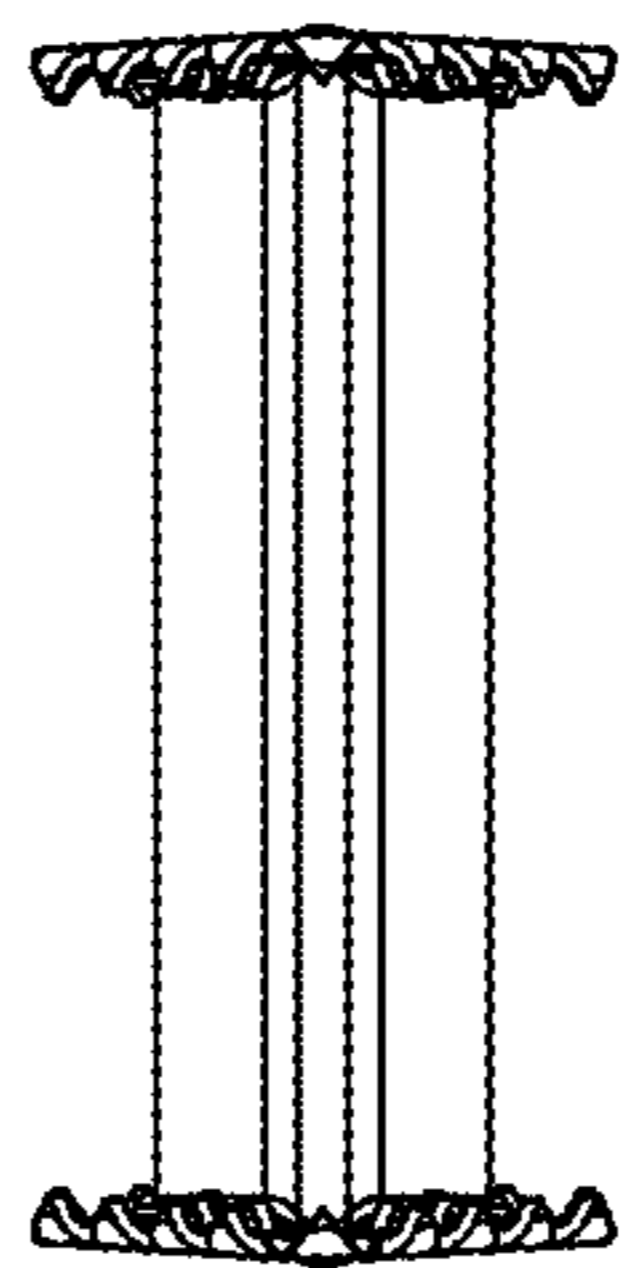


FIG. 8