



US00D826655S

(12) **United States Design Patent** (10) **Patent No.:** **US D826,655 S**
Chen (45) **Date of Patent:** **** Aug. 28, 2018**

(54) **MULTI-FUNCTIONAL VEGETABLE PROCESSOR**

(71) Applicant: **SHUANGMA PLASTIC MANUFACTURING INC.**, Linhai, Zhejiang Province (CN)

(72) Inventor: **Cui-Hong Chen**, Linhai (CN)

(**) Term: **15 Years**

(21) Appl. No.: **29/597,184**

(22) Filed: **Mar. 15, 2017**

(30) **Foreign Application Priority Data**

Jan. 5, 2017 (CN) 2017 3 0003345

(51) **LOC (11) Cl.** **07-04**

(52) **U.S. Cl.**
USPC **D7/673**

(58) **Field of Classification Search**
USPC D7/672-677, 354, 693-696, 678
CPC A47J 43/00; A47J 43/25; B26D 2210/02;
B26D 1/143; B26D 3/283; B26D 3/26;
B26D 3/185; B26D 2003/288; B26D
2003/286

See application file for complete search history.

(56) **References Cited**

U.S. PATENT DOCUMENTS

D569,200 S * 5/2008 Chalfant D7/672
D729,594 S * 5/2015 Stewart D7/673
D734,107 S * 7/2015 Junker D7/673
D744,793 S * 12/2015 Lipscomb D7/673

D751,868 S * 3/2016 Schoeman D7/673
D751,869 S * 3/2016 Schoeman D7/673
D770,868 S * 11/2016 Repac D7/672
2010/0122465 A1 * 5/2010 Holmes A47J 43/25
30/275.4
2011/0094111 A1 * 4/2011 Hauser B26D 3/283
30/286
2017/0021515 A1 * 1/2017 Colburn B26D 3/283

* cited by examiner

Primary Examiner — Susan B Hattan

Assistant Examiner — Brett A Miller

(74) *Attorney, Agent, or Firm* — Prakash Nama; Global IP Services, PLLC

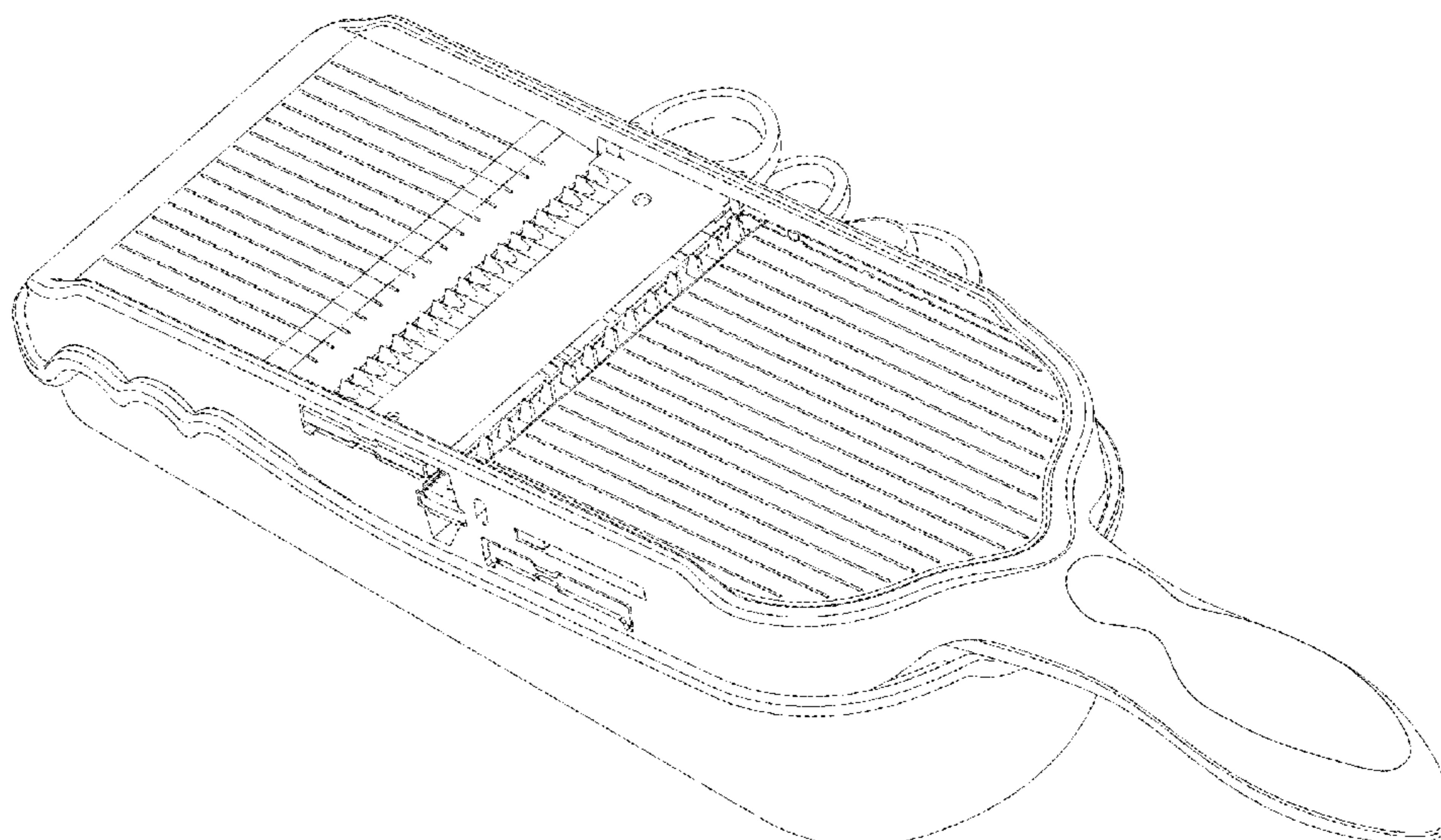
(57) **CLAIM**

The ornamental design for a multi-functional vegetable processor, as shown and described.

DESCRIPTION

FIG. 1 is a perspective view of a multi-functional vegetable processor according to our new design; FIG. 2 is a front elevation view thereof; FIG. 3 is a rear elevation view thereof; FIG. 4 is a left side elevation view thereof; FIG. 5 is a right side elevation view thereof; FIG. 6 is a top plan view thereof; and, FIG. 7 is a bottom plan view thereof. The broken lines showing of a multi-functional vegetable processor are for the purpose of illustrating environmental structures of the multi-functional vegetable processor and form no part of the claimed design.

1 Claim, 7 Drawing Sheets



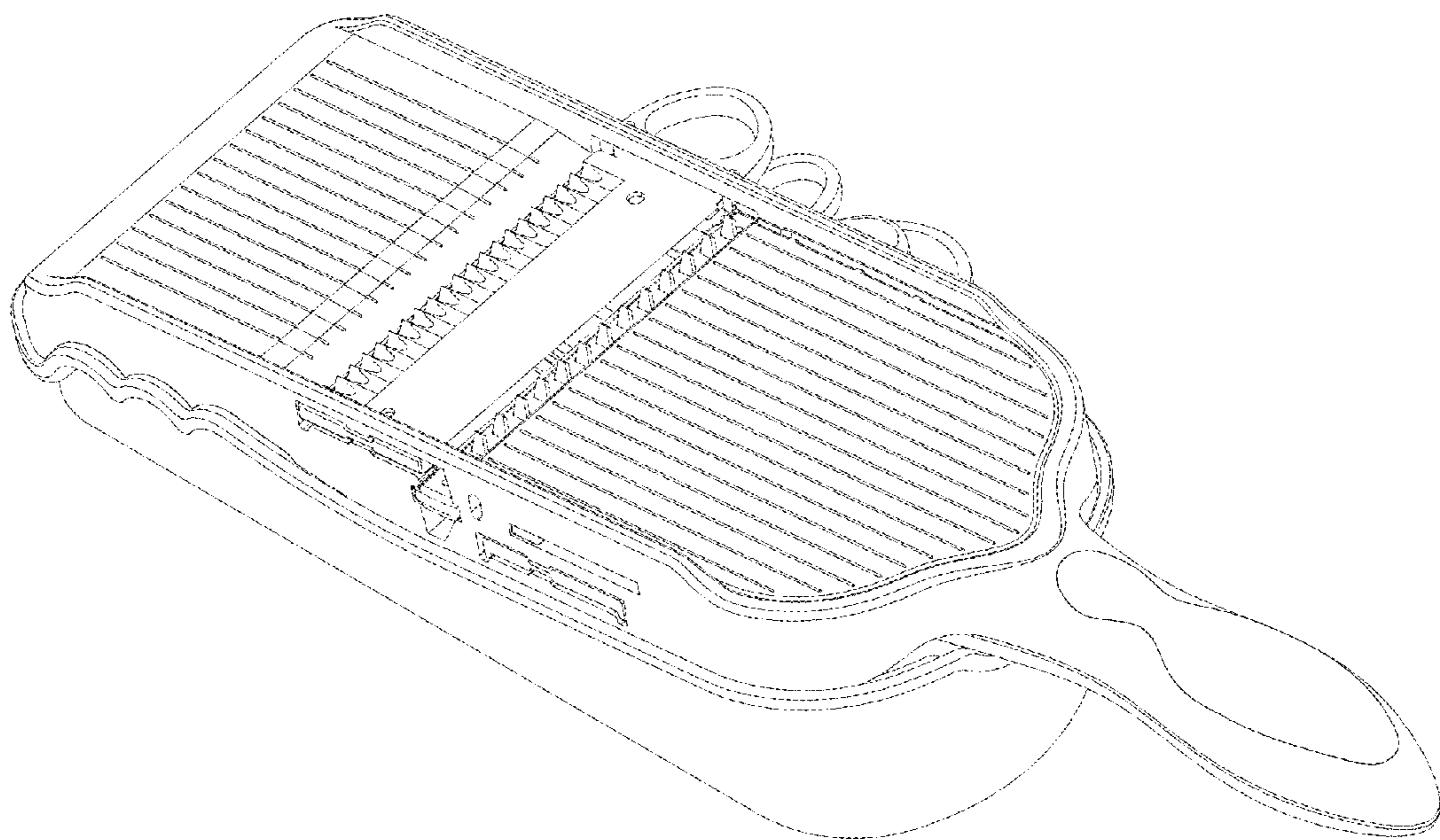


FIG. 1

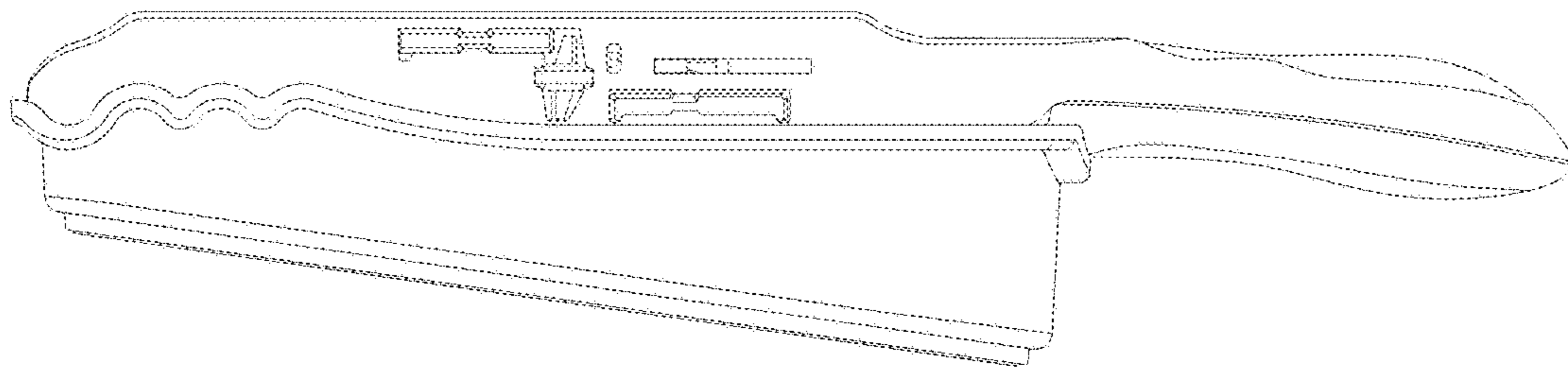


FIG. 2

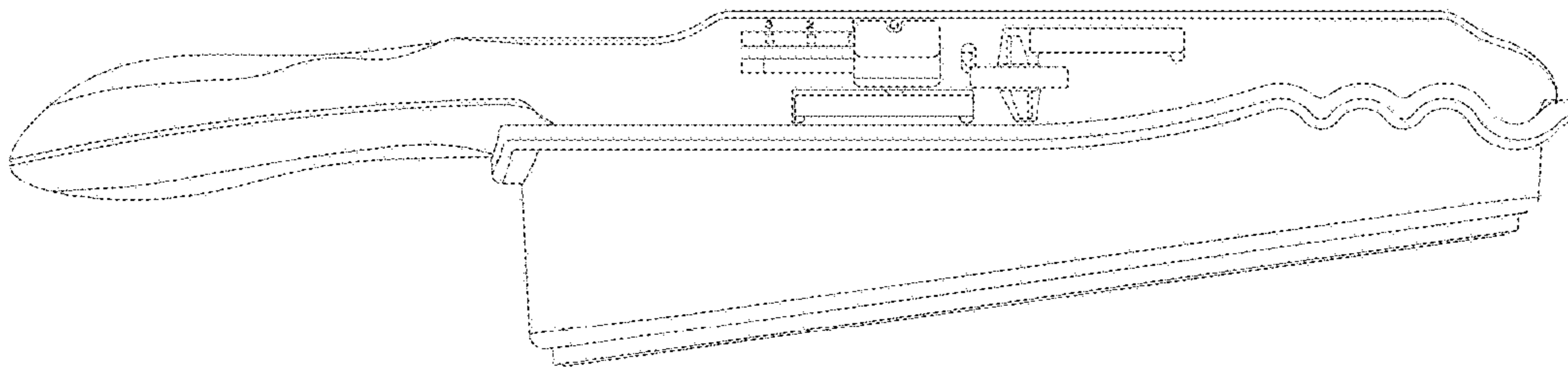


FIG. 3

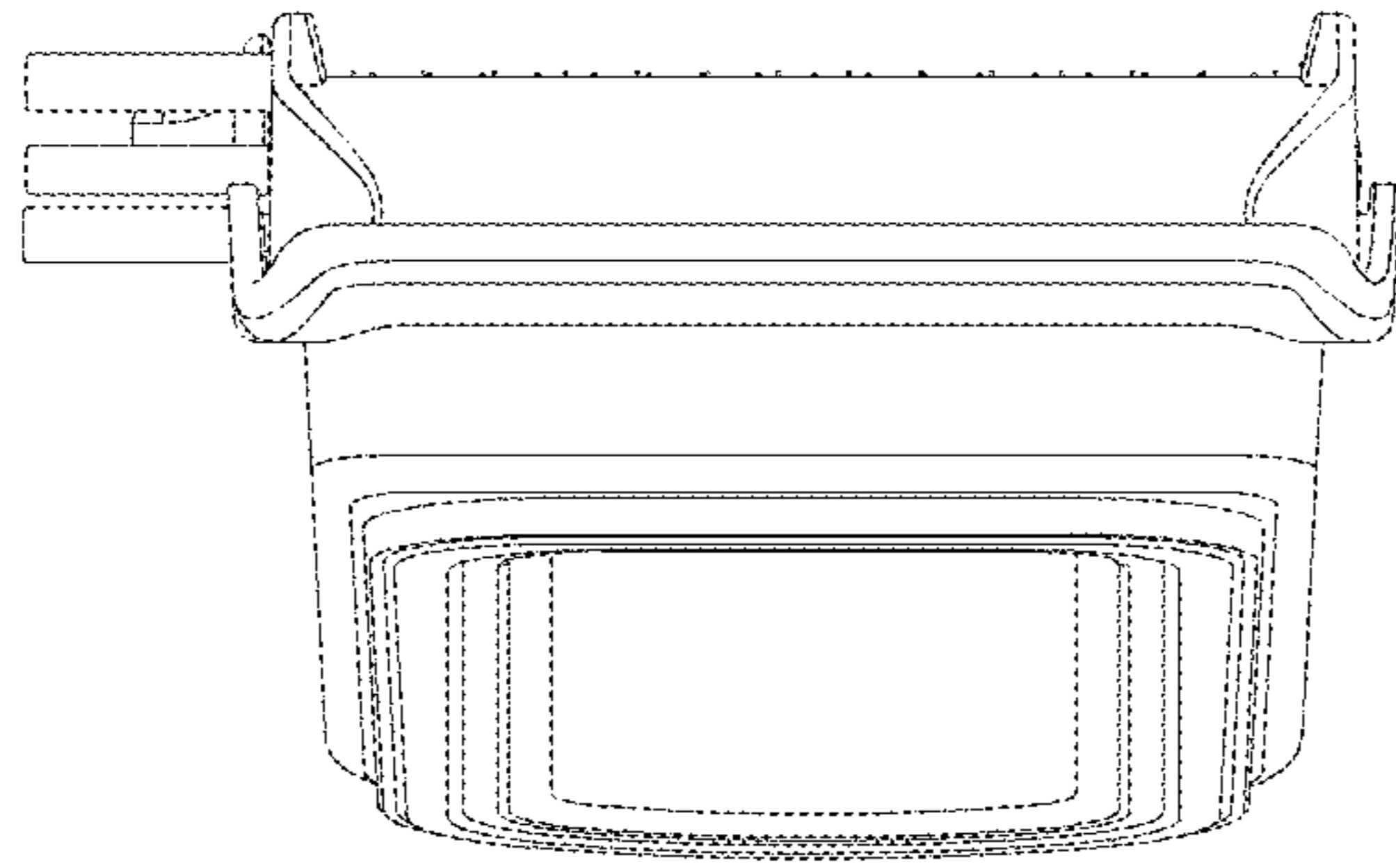


FIG. 4

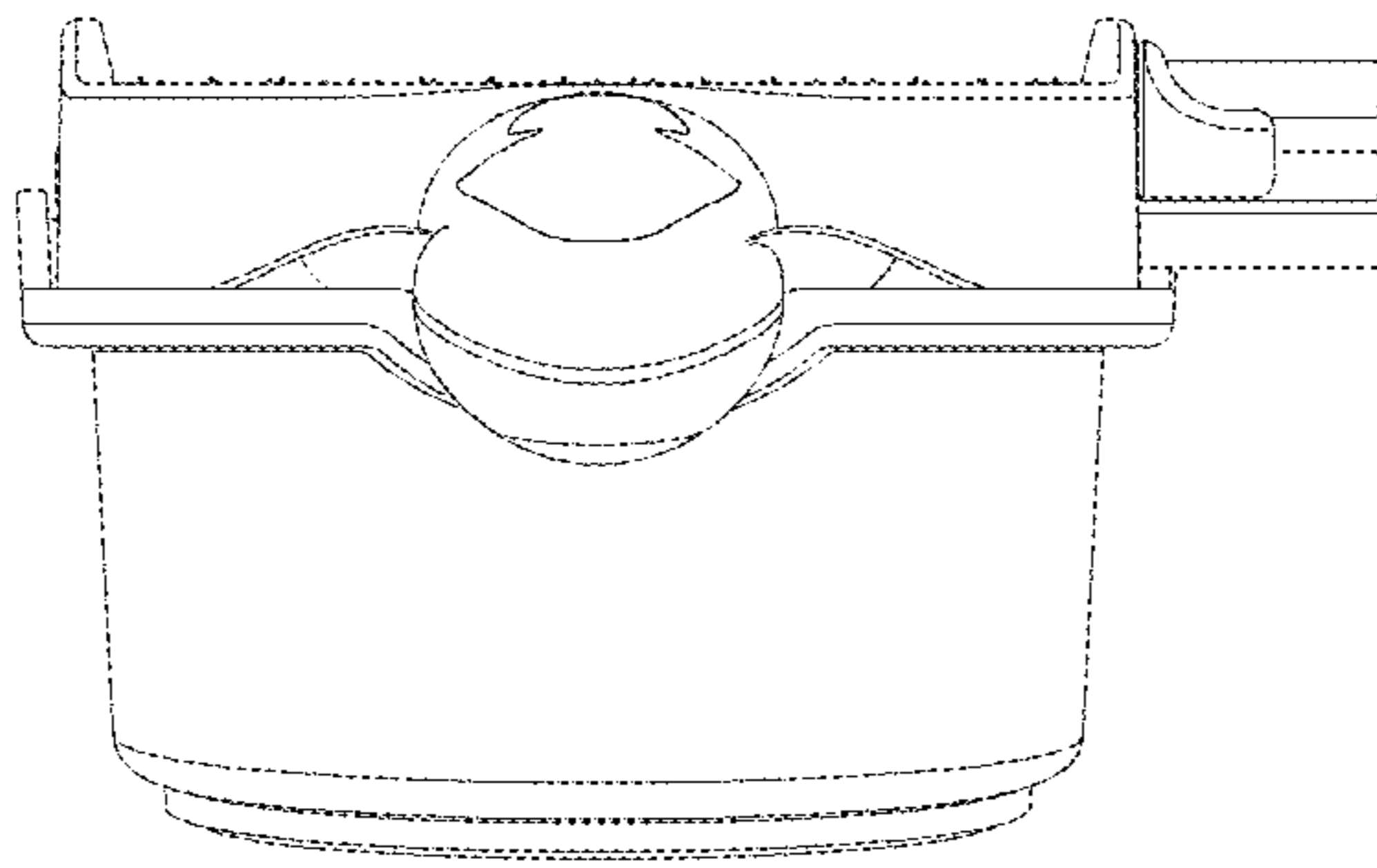


FIG. 5

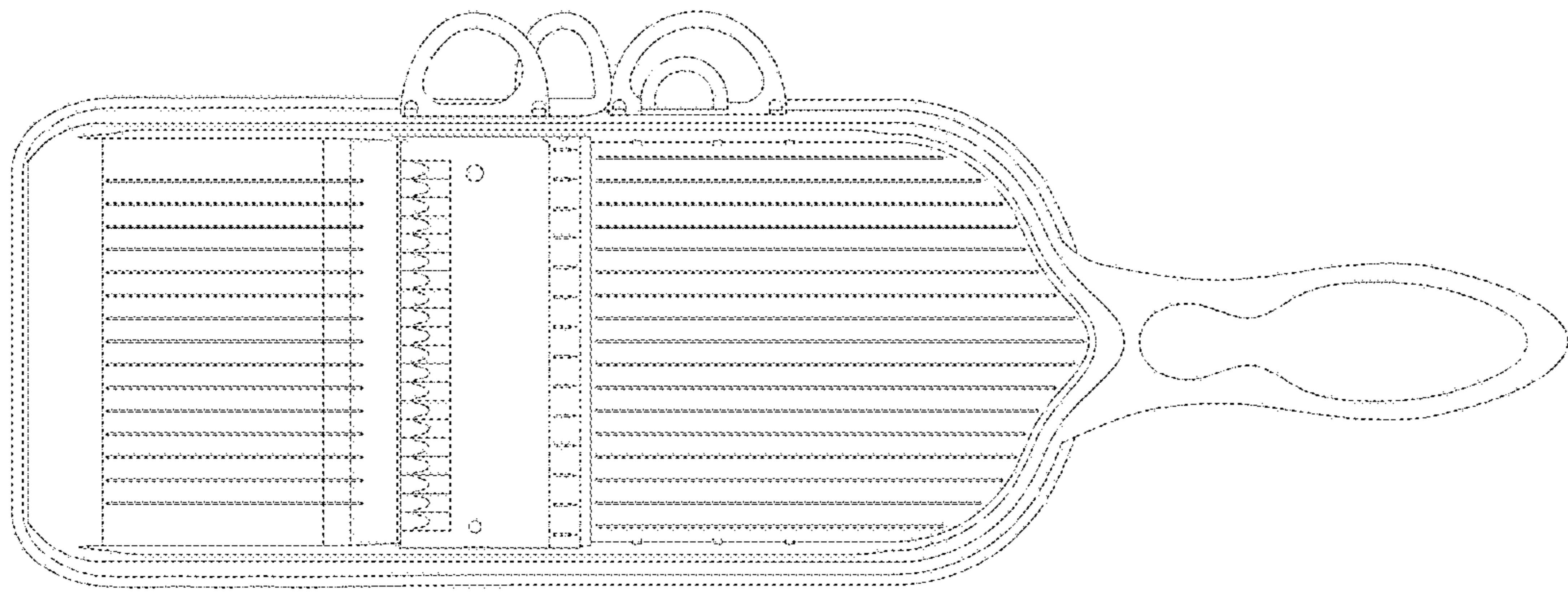


FIG. 6

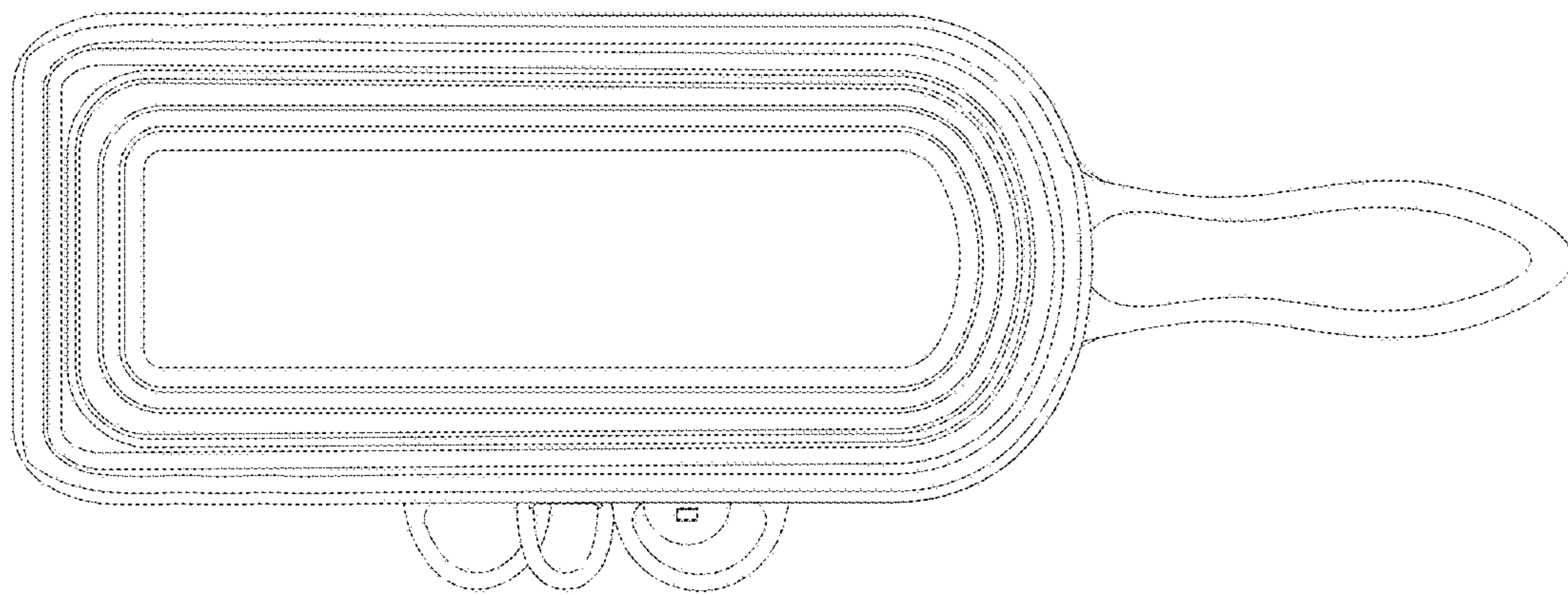


FIG. 7