



US00D826654S

(12) **United States Design Patent** (10) **Patent No.:** **US D826,654 S**
Chang et al. (45) **Date of Patent:** **** Aug. 28, 2018**

- (54) **MANDOLINE SLICER**
- (71) Applicant: **Helen of Troy Limited**, Belleville, St. Michael (BB)
- (72) Inventors: **Hyukjae Chang**, Pittsburgh, PA (US); **Marvin G. Church**, Apollo, PA (US); **Eric Richard Colburn**, Wexford, PA (US)
- (73) Assignee: **Helen of Troy Limited**, St. Michael (BB)
- (**) Term: **15 Years**
- (21) Appl. No.: **29/591,476**
- (22) Filed: **Jan. 20, 2017**
- (51) **LOC (11) Cl.** **07-04**
- (52) **U.S. Cl.**
 USPC **D7/673**
- (58) **Field of Classification Search**
 USPC D7/672-677, 354, 693-696, 678
 CPC A47J 43/00; A47J 43/25; B26D 2210/02;
 B26D 1/143; B26D 3/283; B26D 3/26;
 B26D 3/185; B26D 2003/288; B26D
 2003/286; B26D 2003/285; B26D
 2003/287
 See application file for complete search history.

(56) **References Cited**
 U.S. PATENT DOCUMENTS

D442,033 S *	5/2001	de Saint-Genois	D7/673
D447,022 S *	8/2001	Wong	D7/678
D608,162 S *	1/2010	Mah	D7/673
D610,414 S *	2/2010	Boerner	D7/673

D651,483 S *	1/2012	Bagley	D7/673
D682,049 S *	5/2013	Jossem	D7/673
D751,352 S *	3/2016	Koide	D7/673
D775,499 S *	1/2017	Yamamoto	D7/673
2007/0137457 A1 *	6/2007	Botsai	B26D 3/283 83/858
2012/0006165 A1 *	1/2012	Thornton	B26D 3/283 83/397
2013/0087033 A1 *	4/2013	Tetreault	B26D 3/26 83/440
2014/0366699 A1 *	12/2014	Wong	B26D 3/283 83/698.11
2017/0021515 A1 *	1/2017	Colburn	B26D 3/283

* cited by examiner

Primary Examiner — Susan B Hattan
Assistant Examiner — Brett A Miller
 (74) *Attorney, Agent, or Firm* — Rankin, Hill & Clark LLP

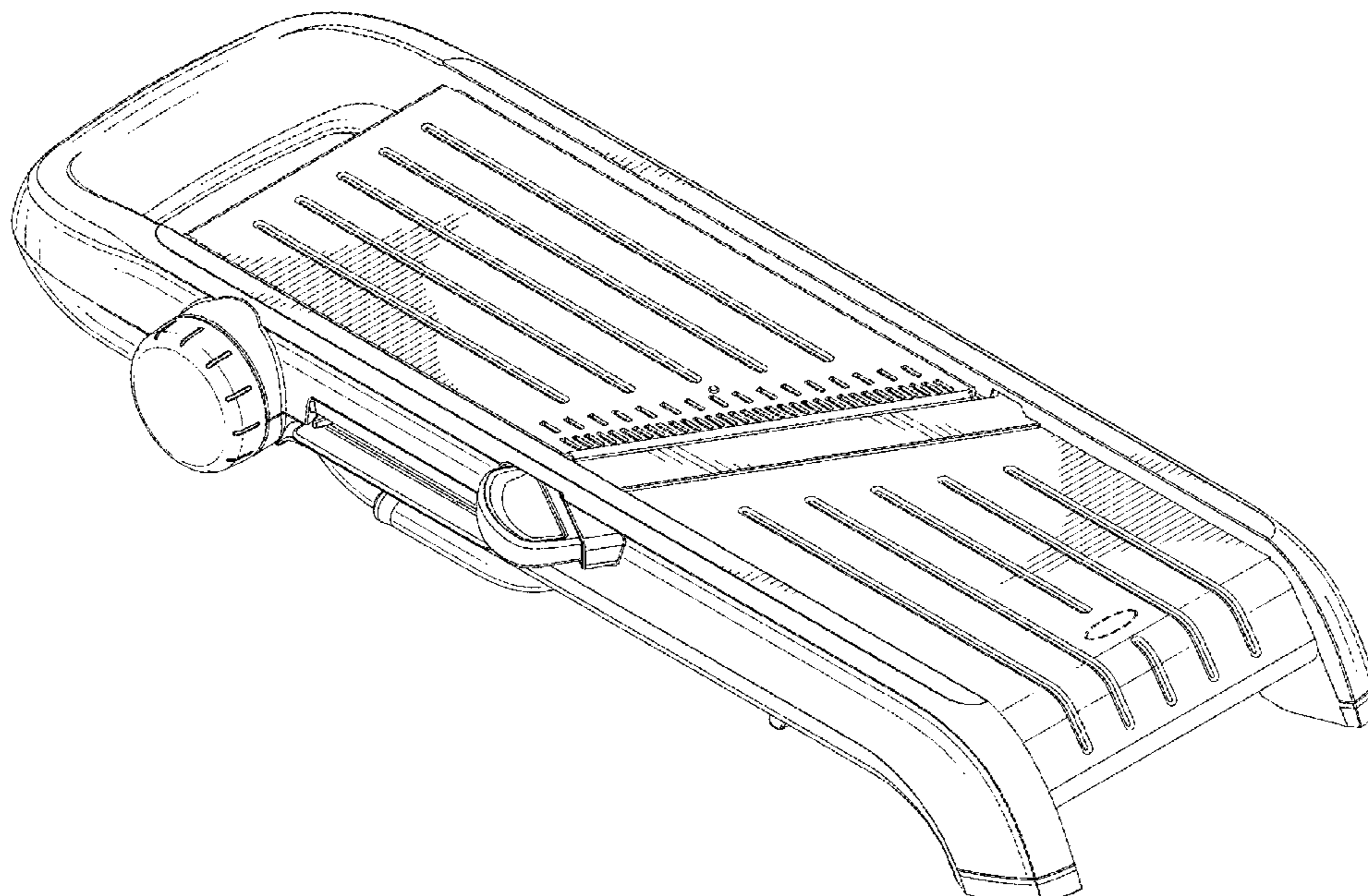
(57) **CLAIM**

The ornamental design for a mandoline slicer, as shown and described.

DESCRIPTION

FIG. 1 is an upper perspective view of a mandoline slicer; FIG. 2 is a lower perspective view thereof; FIG. 3 is a left side view thereof; FIG. 4 is a right side view thereof; FIG. 5 is a rear view thereof; FIG. 6 is a front view thereof; FIG. 7 is a top plan view thereof; and, FIG. 8 is a bottom plan view thereof. The broken lines in the drawings depict portions of the mandoline slicer that form no part of the claimed design.

1 Claim, 7 Drawing Sheets



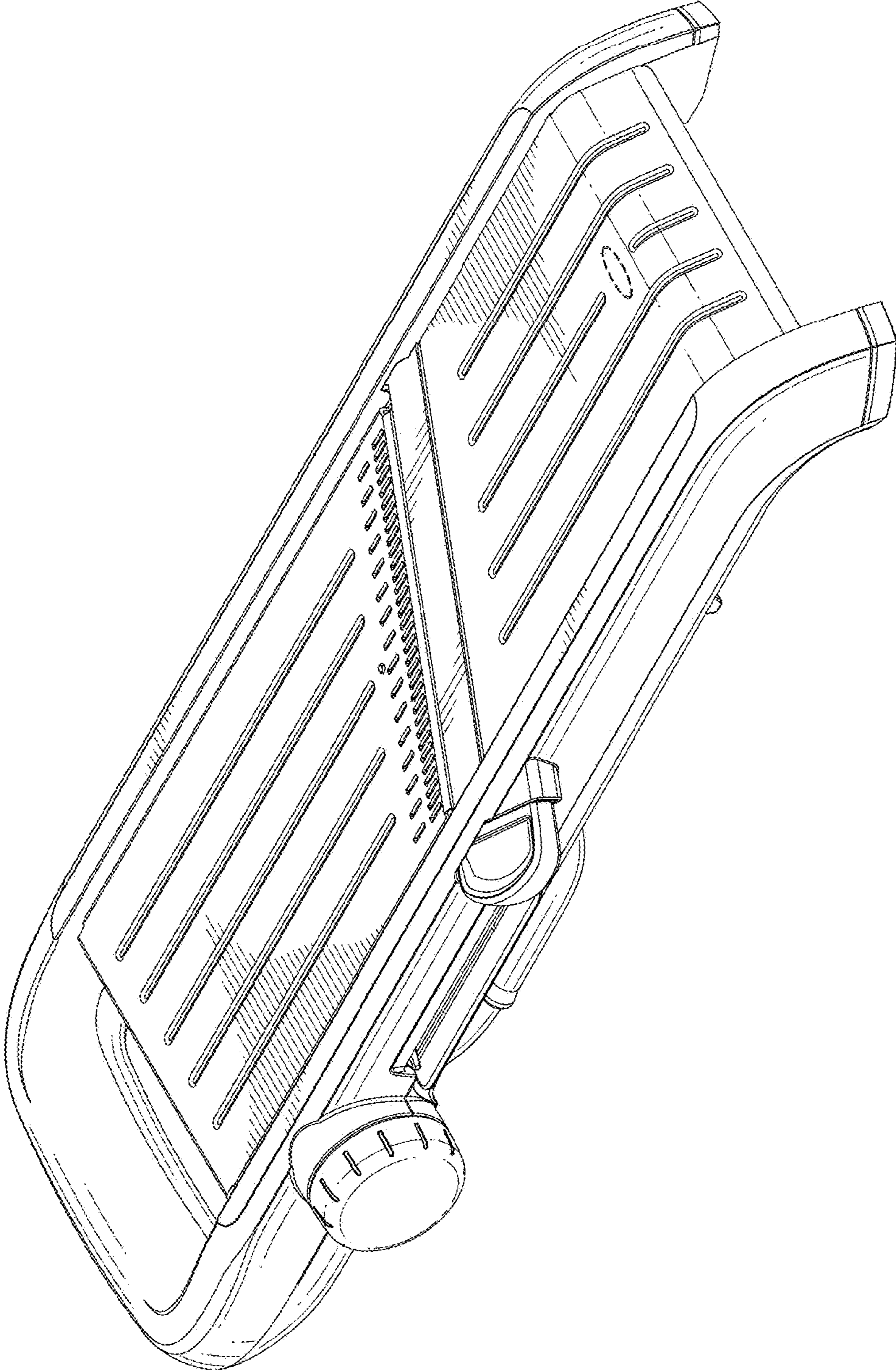


FIG.1

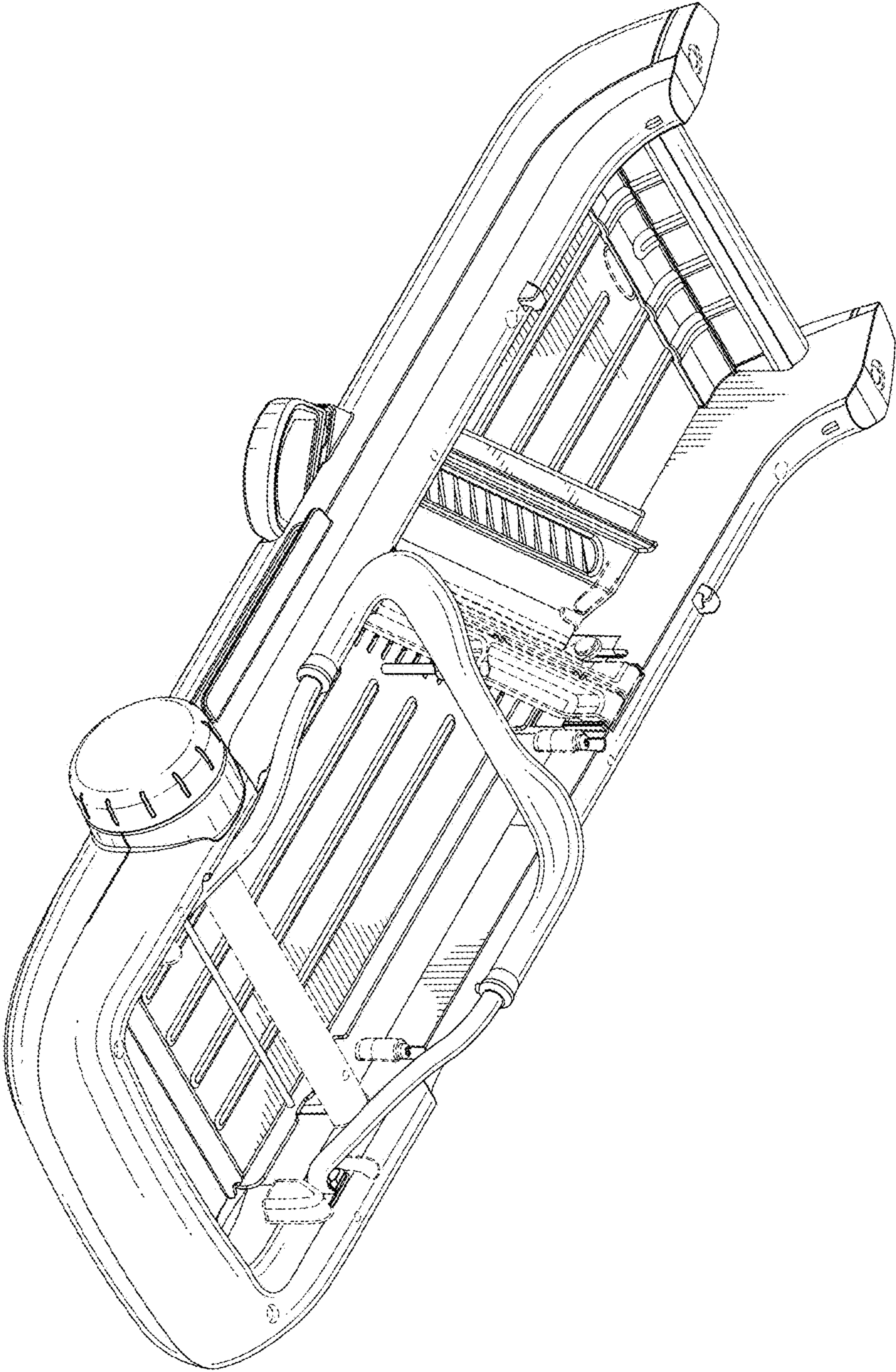


FIG.2

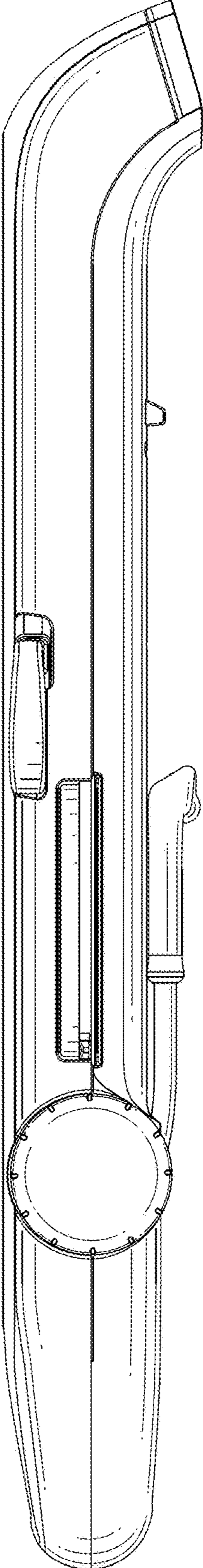


FIG.3

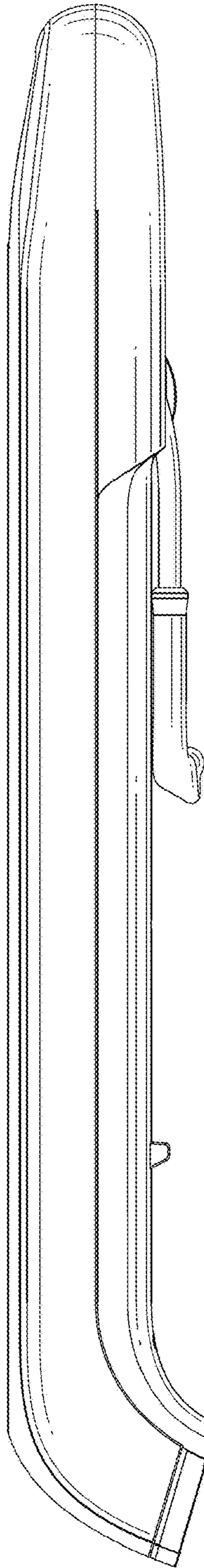


FIG.4

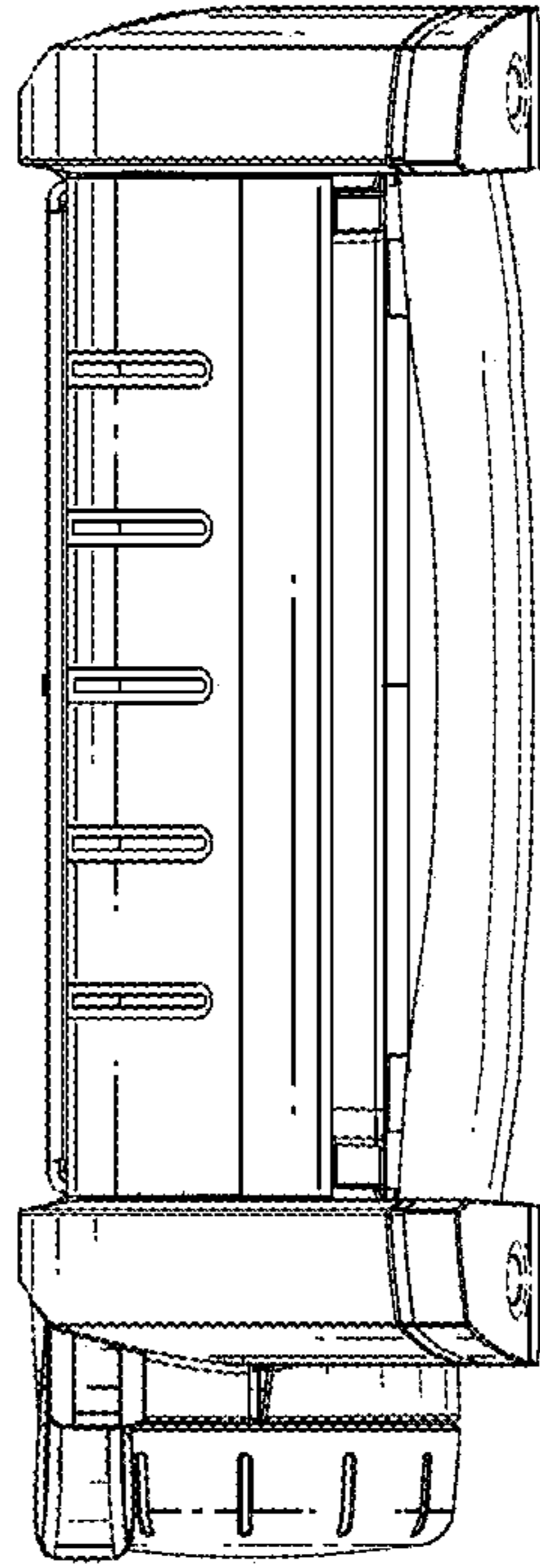


FIG. 6

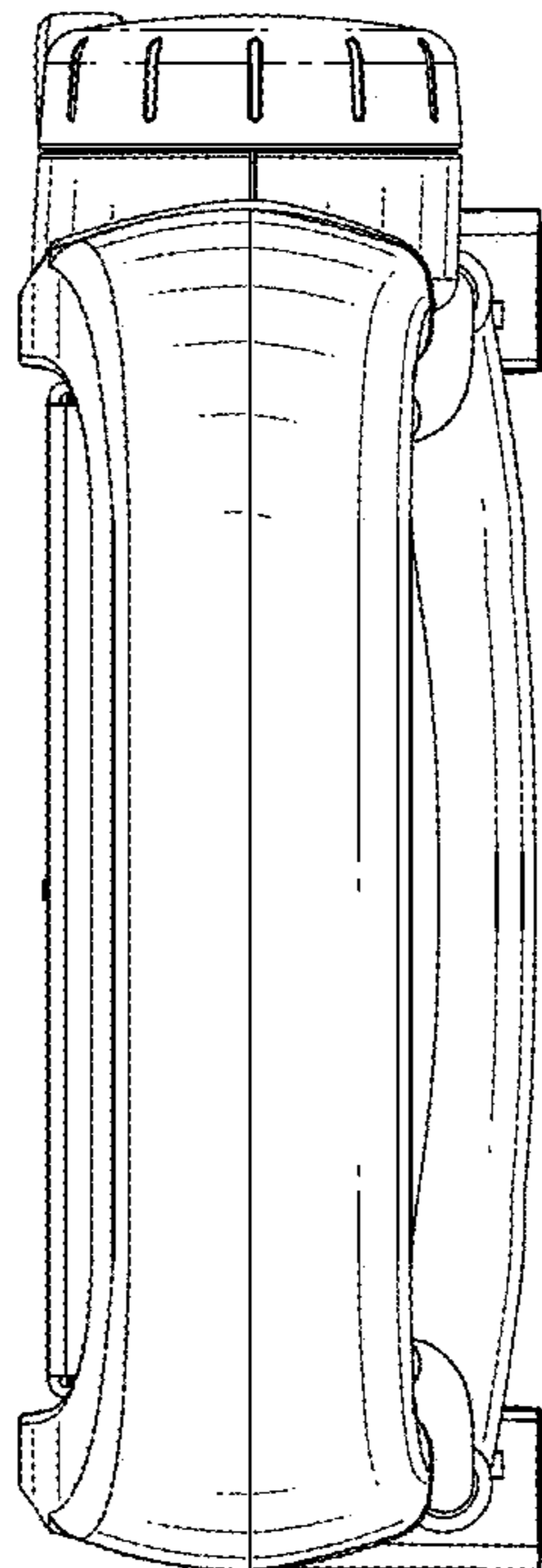


FIG. 5

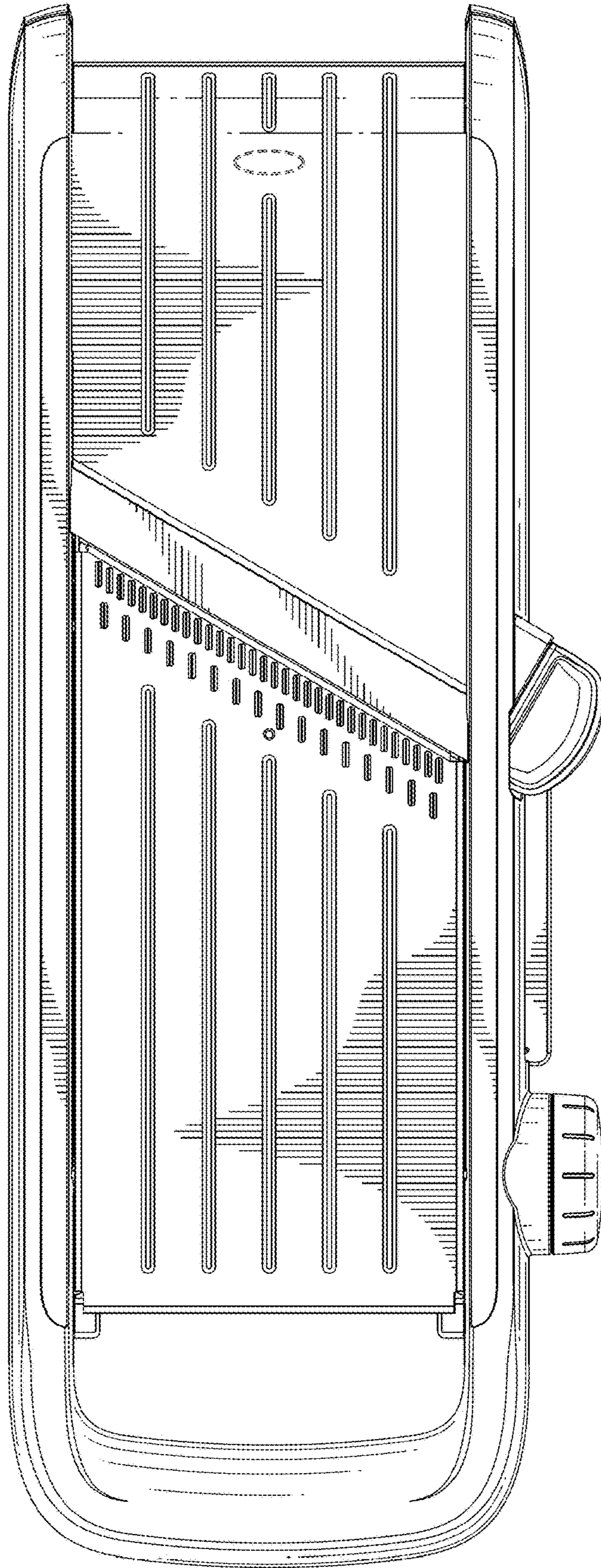


FIG. 7

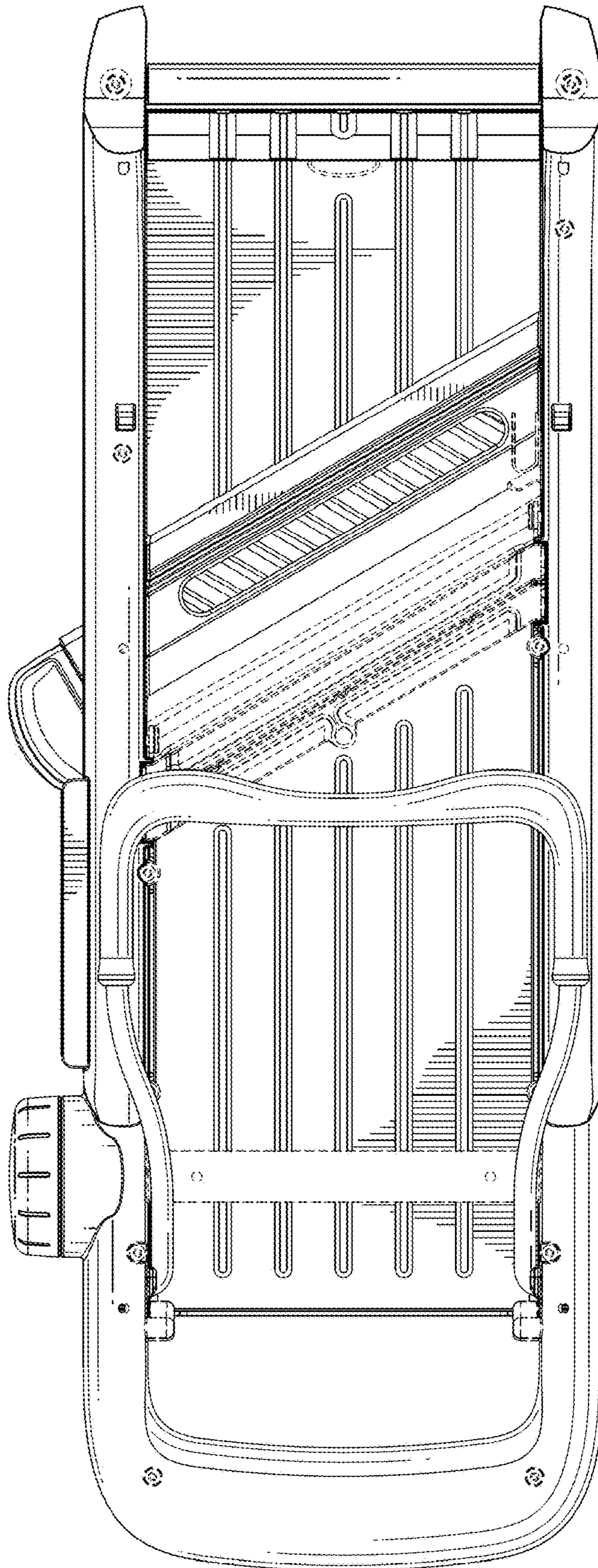


FIG.8