



US00D826653S

(12) **United States Design Patent** (10) **Patent No.:** **US D826,653 S**
Joseph (45) **Date of Patent:** **** Aug. 28, 2018**

(54) **FOOD PRESS**

(71) Applicant: **JOSEPH JOSEPH LTD.**, London (GB)

(72) Inventor: **Antony Joseph**, London (GB)

(73) Assignee: **Joseph Joseph Ltd.**, London (GB)

(**) Term: **15 Years**

(21) Appl. No.: **29/598,729**

(22) Filed: **Mar. 28, 2017**

(30) **Foreign Application Priority Data**

Nov. 28, 2016 (EM) 003490242-0001

(51) **LOC (11) Cl.** **31-00**

(52) **U.S. Cl.**
USPC **D7/666; D7/669**

(58) **Field of Classification Search**
USPC D7/665-669, 680
CPC A47J 19/00; A47J 19/02; A47J 19/06
See application file for complete search history.

(56) **References Cited**

U.S. PATENT DOCUMENTS

703,518 A * 7/1902 Baumgartner A47J 19/022
100/135
1,488,276 A * 3/1924 O'Brien A47J 19/005
241/169
D98,012 S * 12/1935 Majewski D7/666
D190,405 S * 5/1961 Barnes 425/318
D415,659 S * 10/1999 Weibel D7/680
D468,975 S * 1/2003 White D7/666
D506,904 S * 7/2005 Schoonejans D7/666

(Continued)

FOREIGN PATENT DOCUMENTS

CN 201630135391 * 4/2016
CN 201730097942 * 3/2017

OTHER PUBLICATIONS

Barbestar Stainless Steel Potato Ricer. Online, published date Dec. 26, 2016. Retrieved on Mar. 11, 2018 from URL: <https://www.amazon.com/Barbestar-Stainless-Potato-Ricer-Interchangeable/dp/B01NCPWB50>.*

(Continued)

Primary Examiner — Karen S Acker

Assistant Examiner — Omeed Agilee

(74) *Attorney, Agent, or Firm* — Millen, White, Zelano & Branigan, P.C.

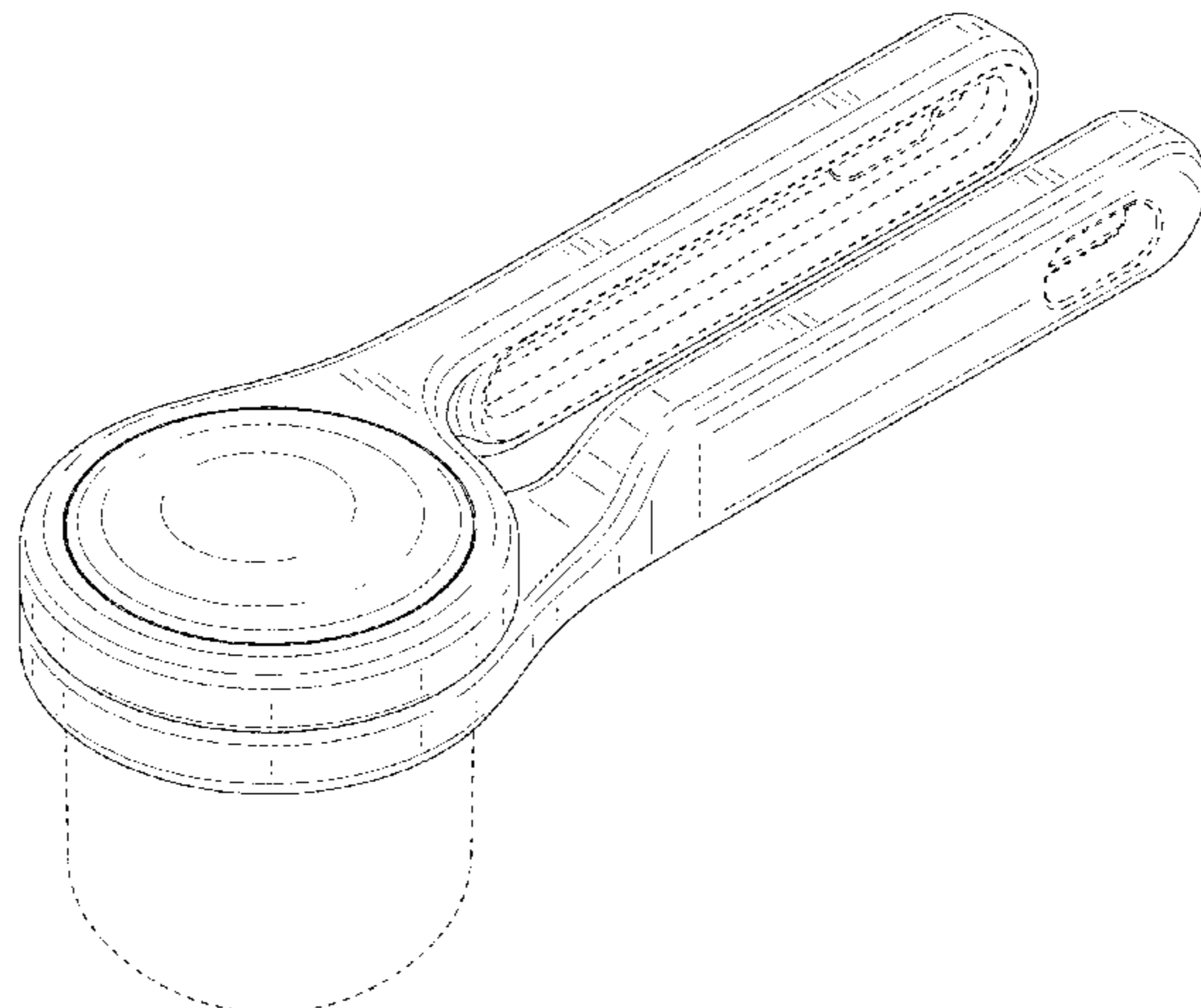
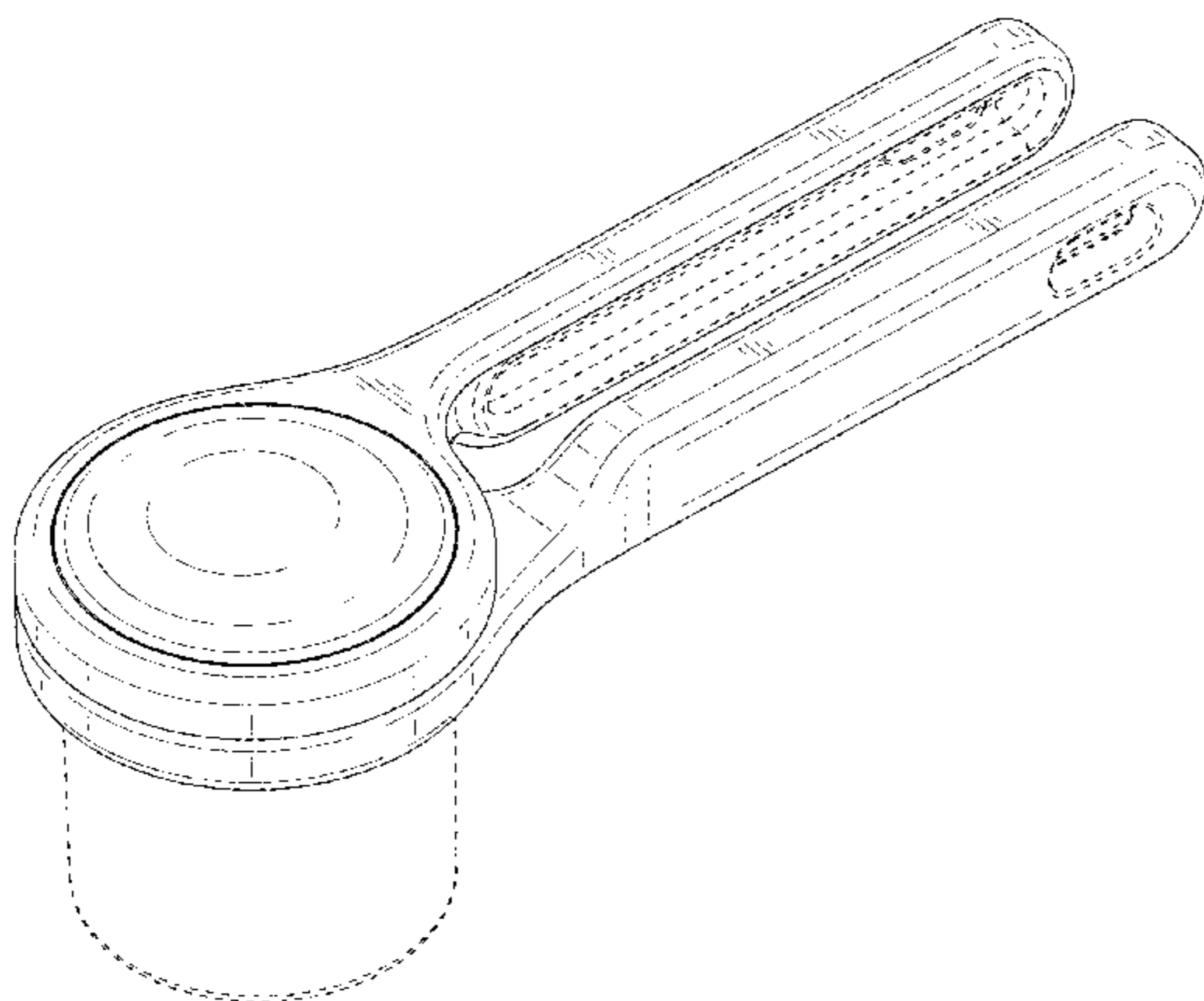
(57) **CLAIM**

The ornamental design for a food press, as shown and described.

DESCRIPTION

FIG. 1 is a top perspective view of a first embodiment of the food press, showing my new design;
FIG. 2 is a left side elevational view thereof;
FIG. 3 is a right side elevational view thereof;
FIG. 4 is front view thereof.
FIG. 5 is a back view thereof.
FIG. 6 is a top plan view thereof;
FIG. 7 is a bottom plan view thereof;
FIG. 8 is an exploded top perspective view thereof, showing the two components of the food press separated;
FIG. 9 is an exploded bottom perspective view thereof, showing the two components of the food press separated;
FIG. 10 is a top perspective view of a second embodiment of the food press;
FIG. 11 is a left side elevational view thereof;
FIG. 12 is a right side elevational view thereof;
FIG. 13 is front view thereof.
FIG. 14 is a back view thereof.
FIG. 15 is a top plan view thereof; and,
FIG. 16 is a bottom plan view thereof.
The broken lines in the drawings illustrate portions of the food press that form no part of the claimed design.

1 Claim, 16 Drawing Sheets



(56)

References Cited

U.S. PATENT DOCUMENTS

D521,814 S * 5/2006 Dorion D7/665
7,299,747 B2 * 11/2007 So A47J 19/005
100/110
7,395,753 B2 * 7/2008 Dorion A47J 19/06
100/110
D613,565 S * 4/2010 Griffith D7/666
D648,988 S * 11/2011 Ablo D7/666
D670,544 S * 11/2012 Junker D7/666
D675,887 S * 2/2013 Chan D7/666
D693,653 S * 11/2013 Jalet D7/678
2009/0078131 A1 * 3/2009 So A47J 19/06
100/234
2014/0231343 A1 * 8/2014 Jalet A23N 1/003
210/541
2015/0257571 A1 * 9/2015 Shen A47J 19/022
100/125

OTHER PUBLICATIONS

Josephjoseph catalogue 2017. Published date Feb. 17, 2017.
Retrieved on Mar. 11, 2018 from URL: https://issuu.com/mark77a/docs/josephjoseph_catalogue_2017.*

* cited by examiner

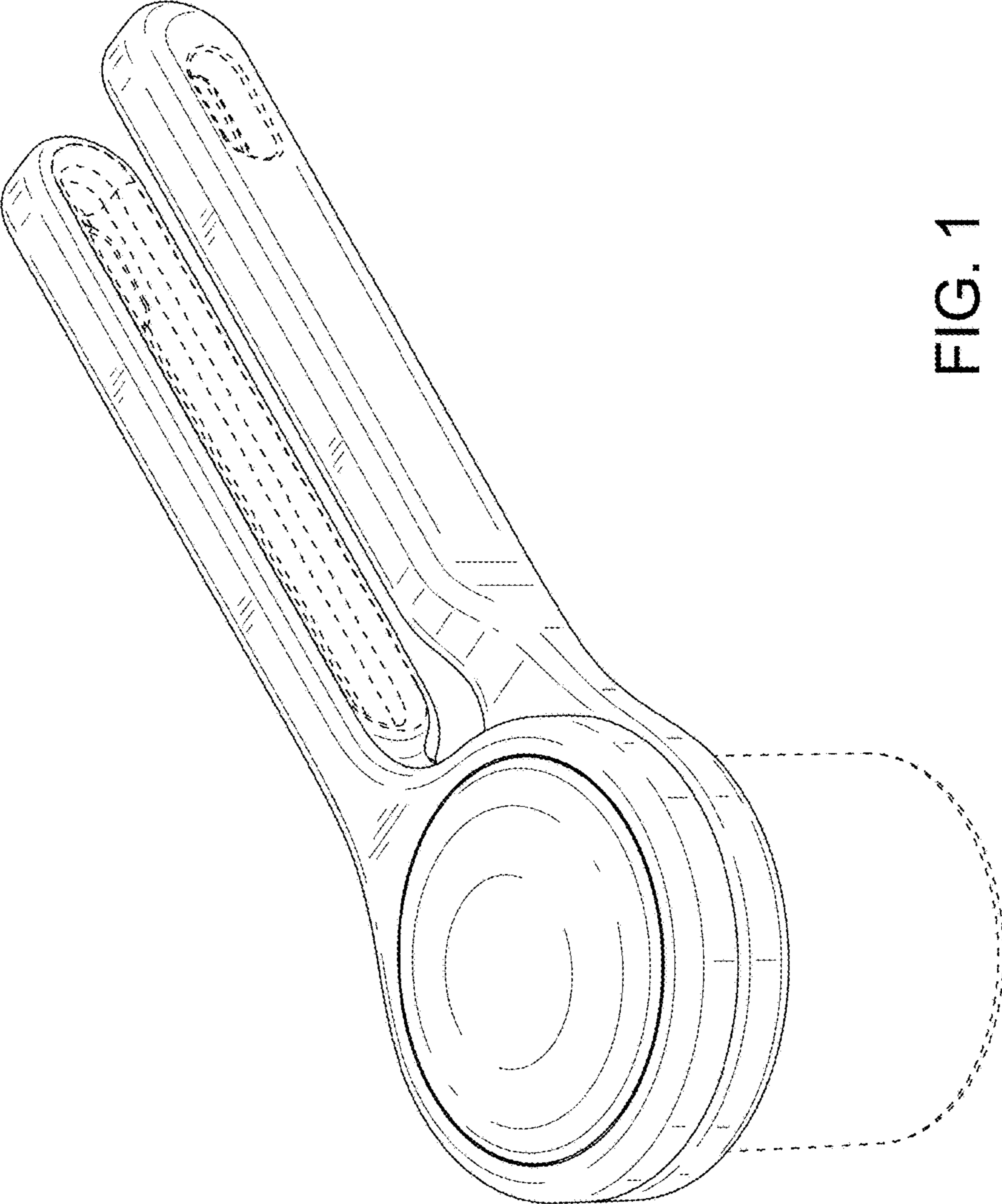


FIG. 1

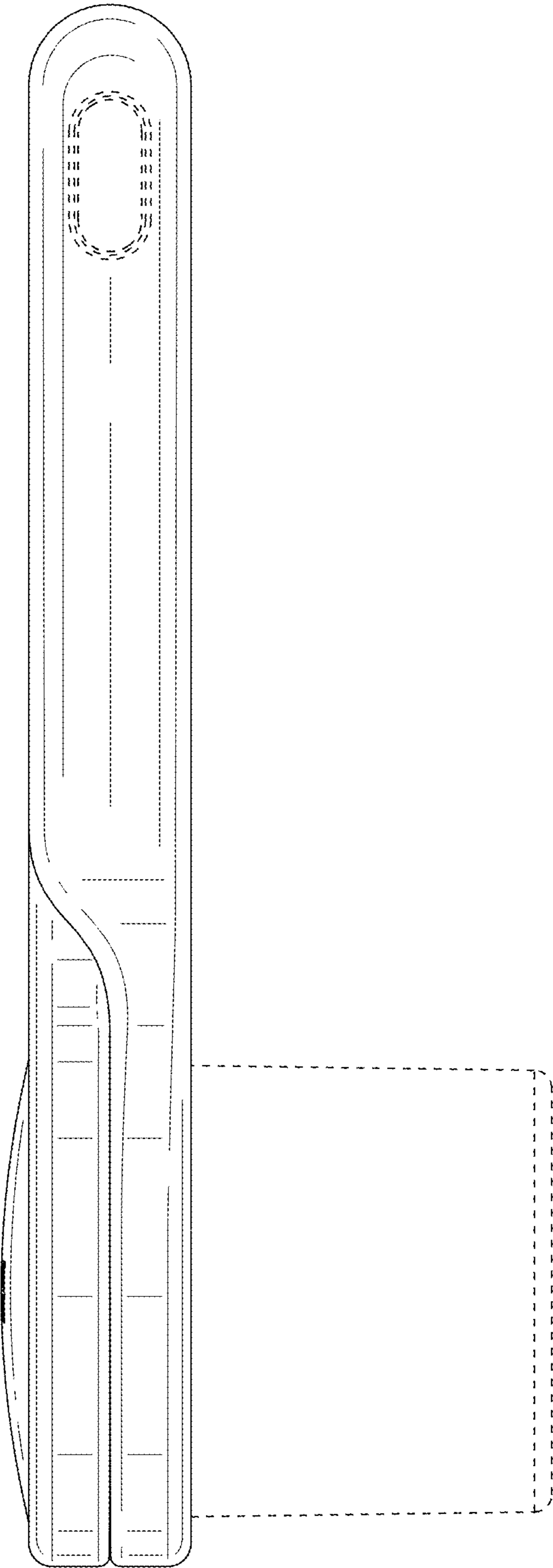


FIG. 2

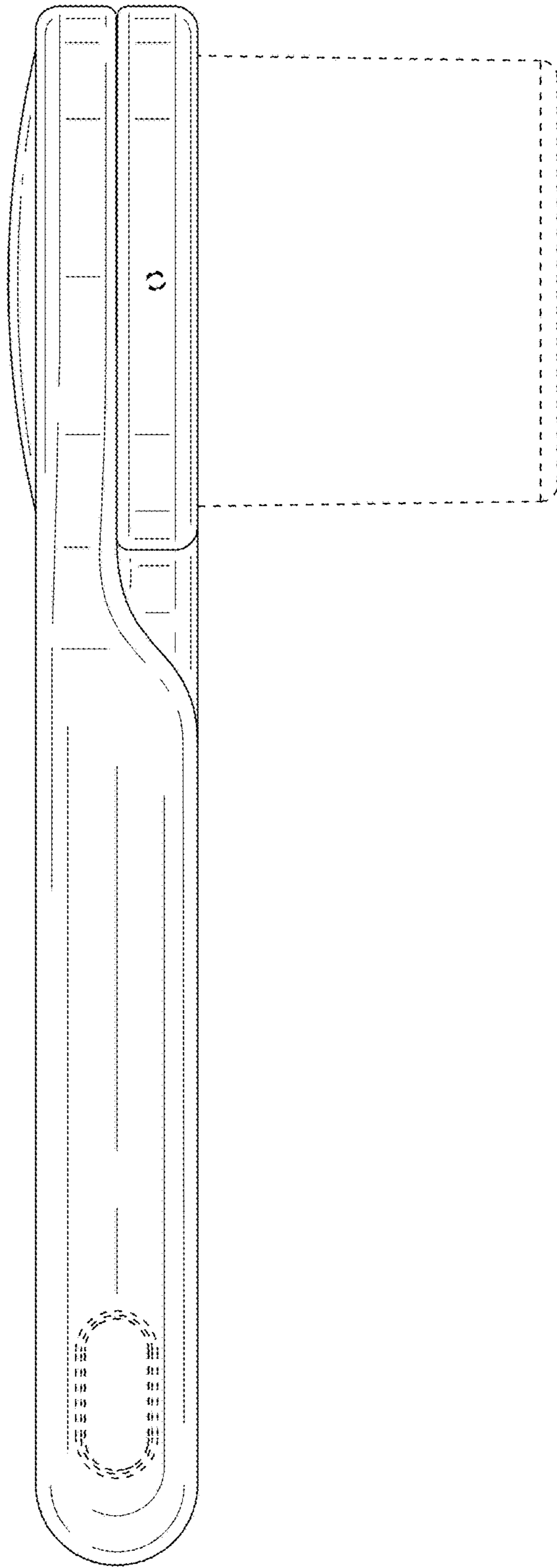


FIG. 3

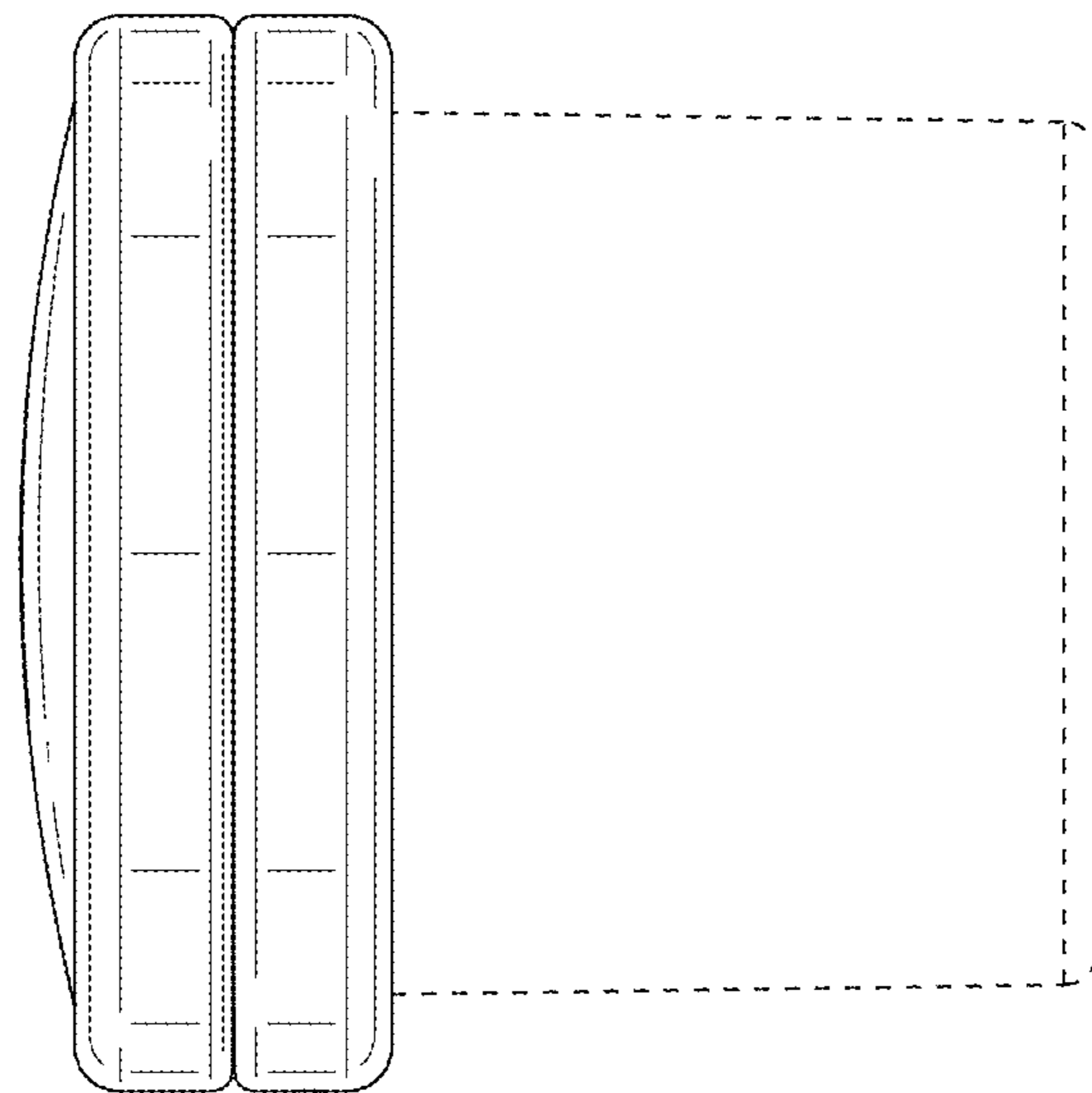


FIG. 4

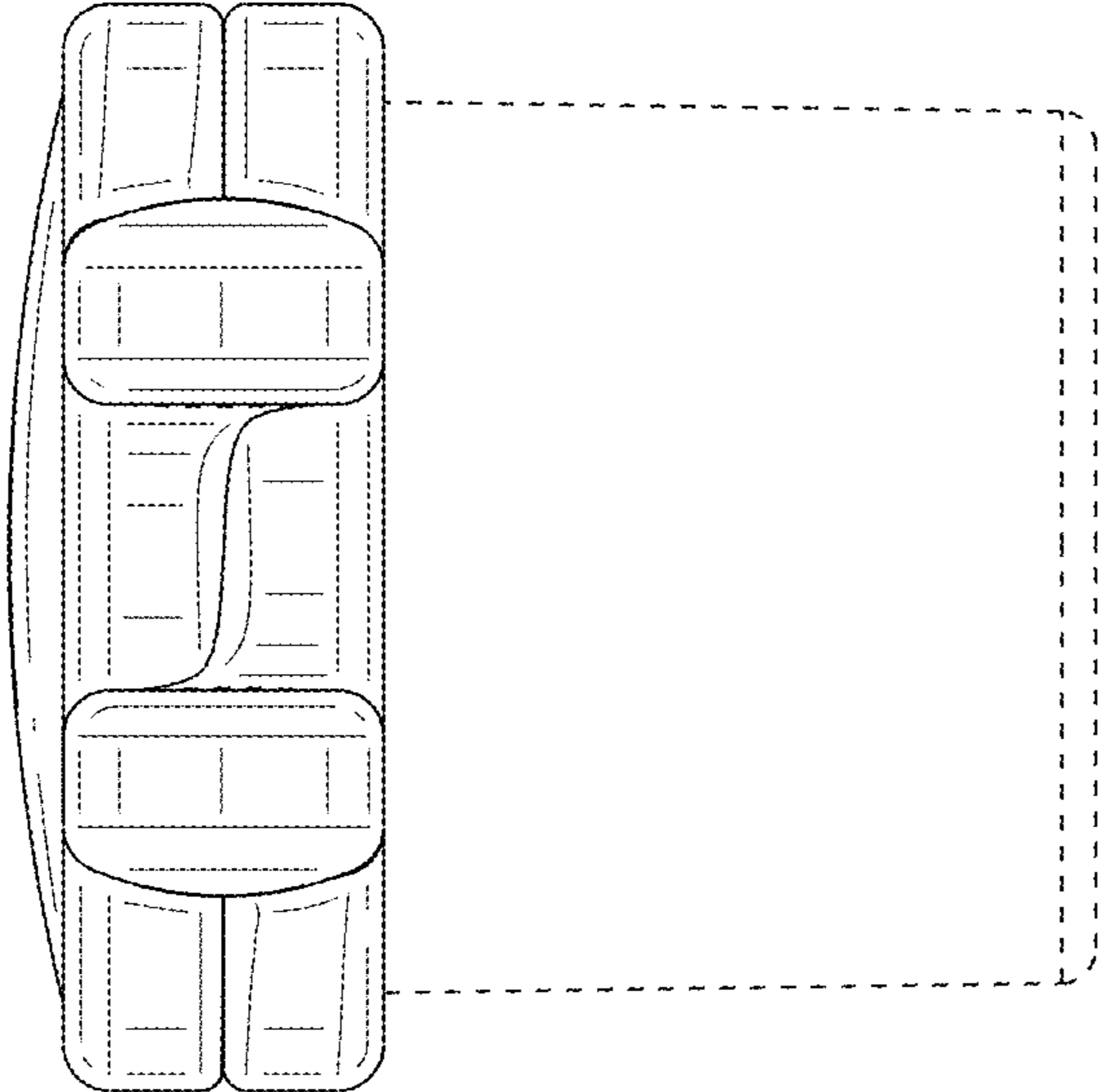


FIG. 5

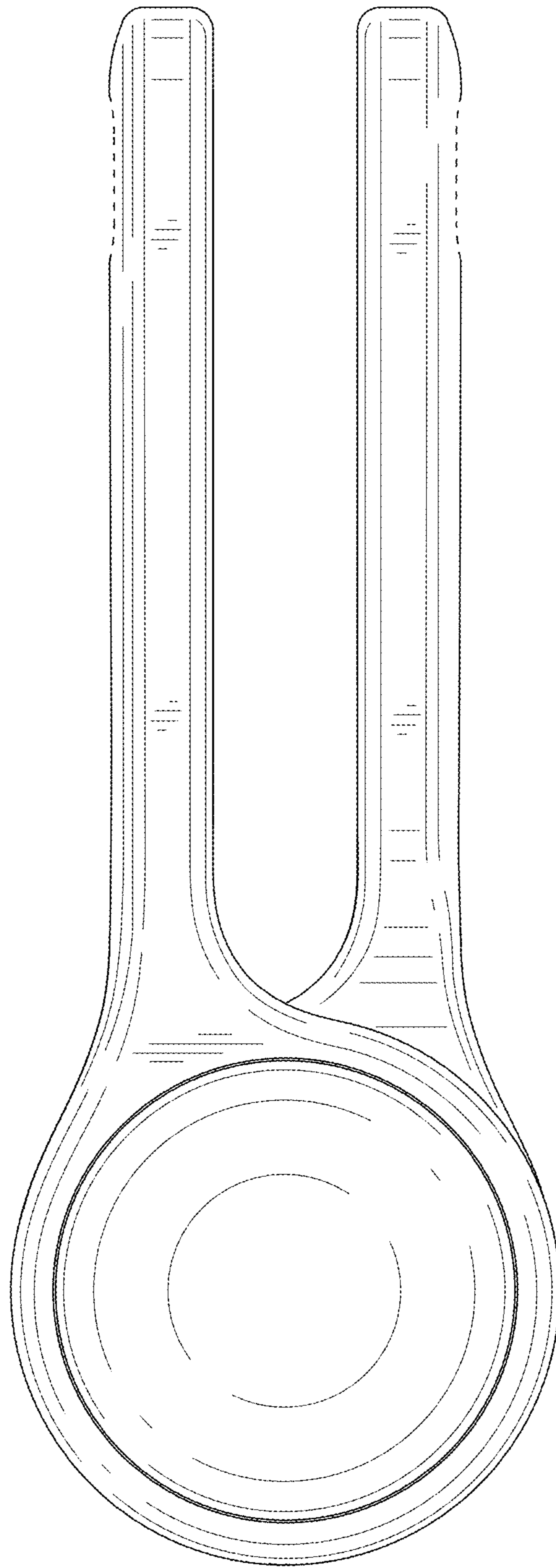


FIG. 6

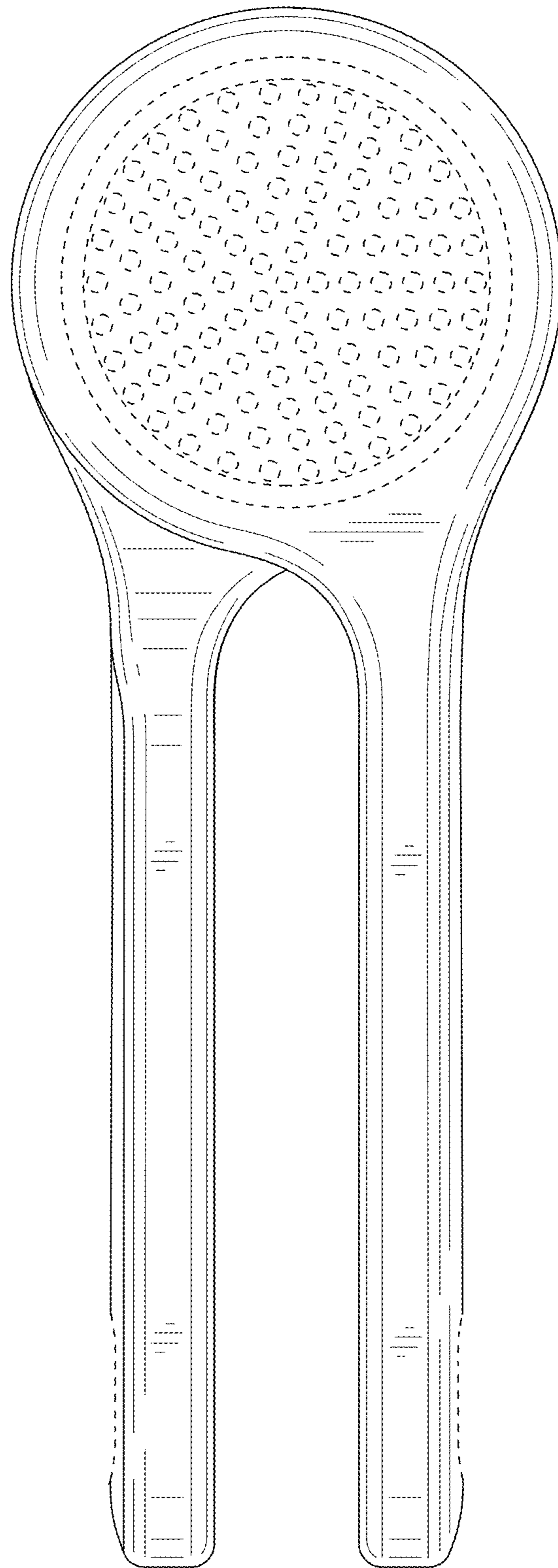


FIG. 7

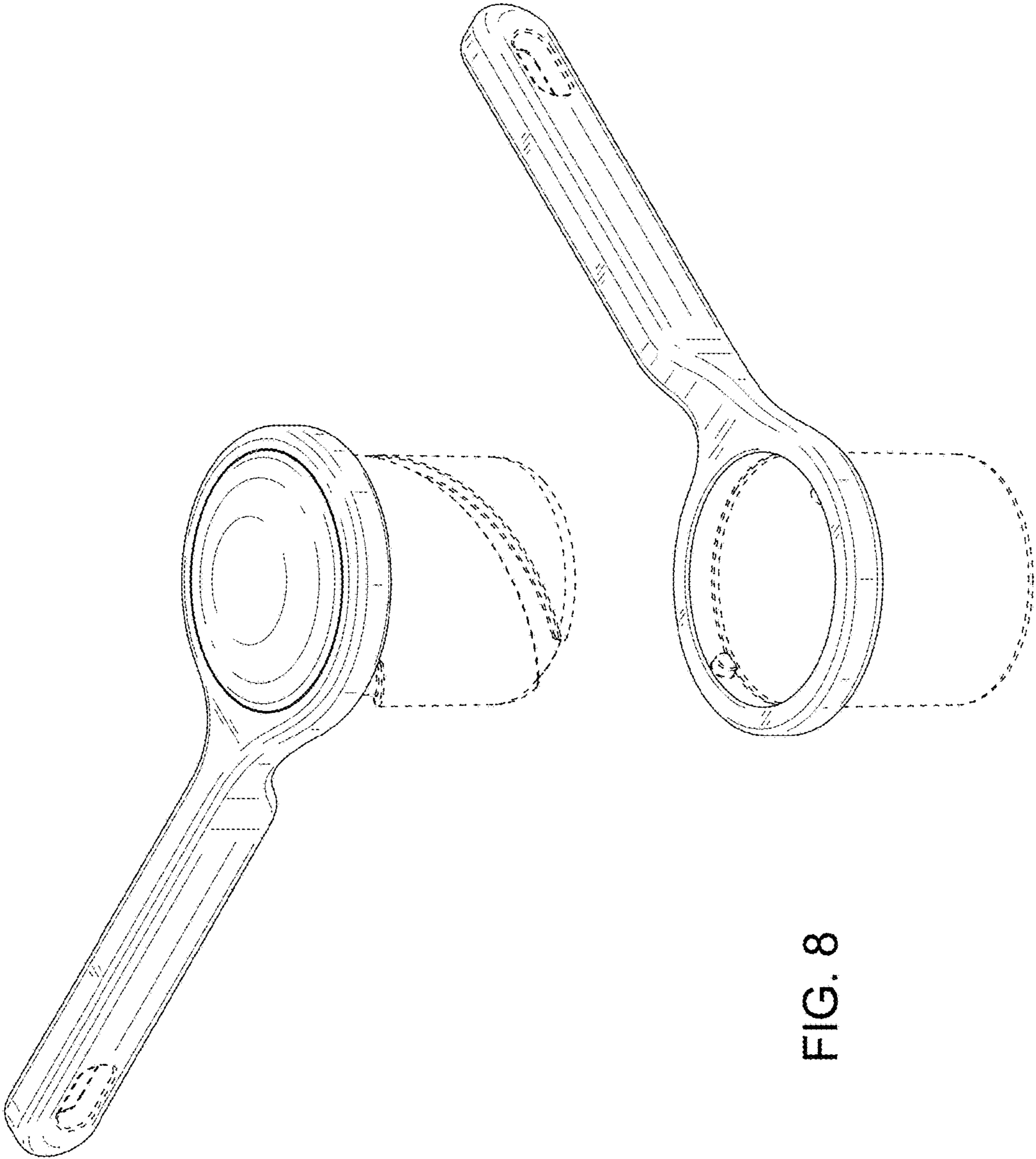


FIG. 8

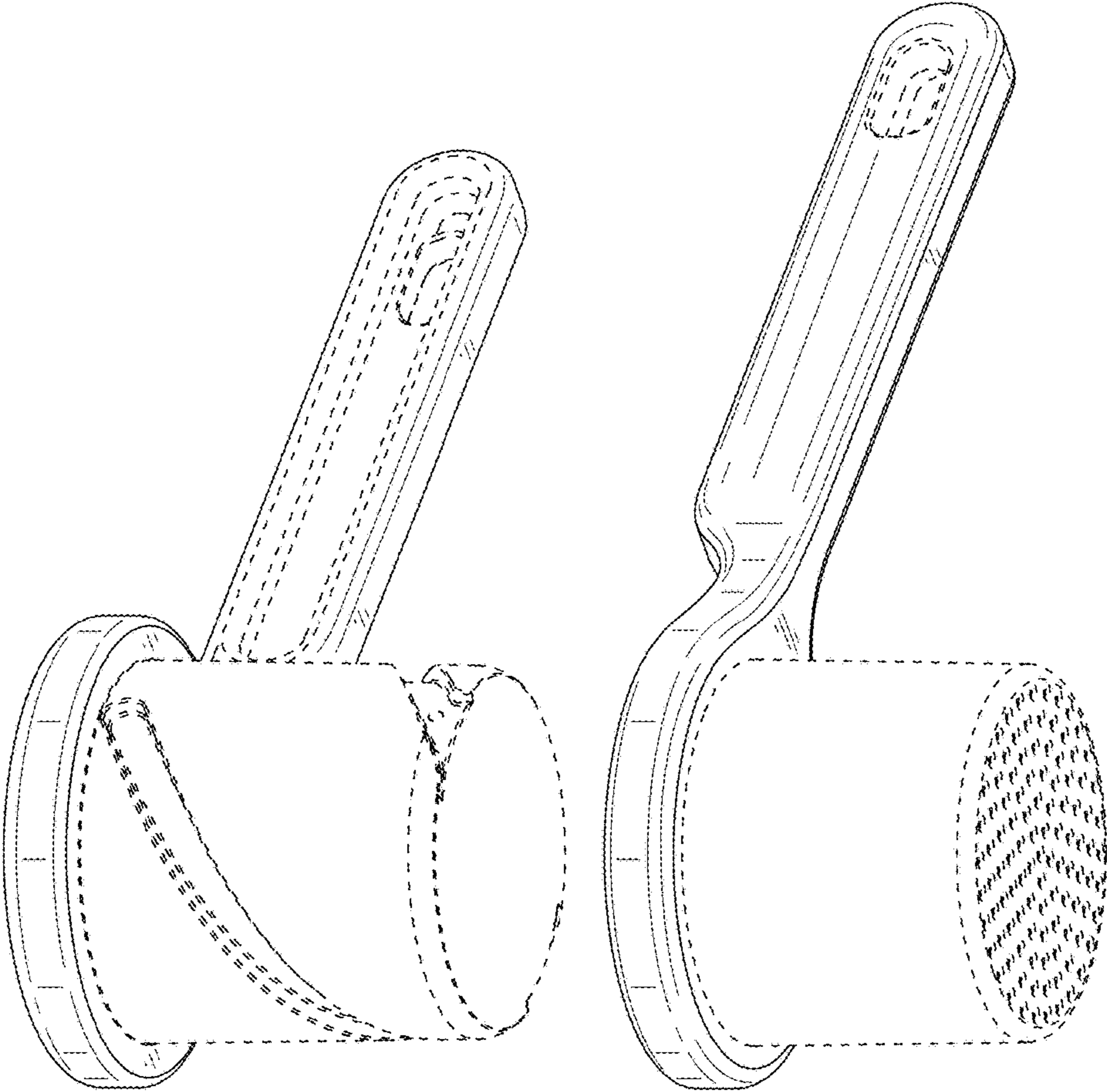


FIG. 9

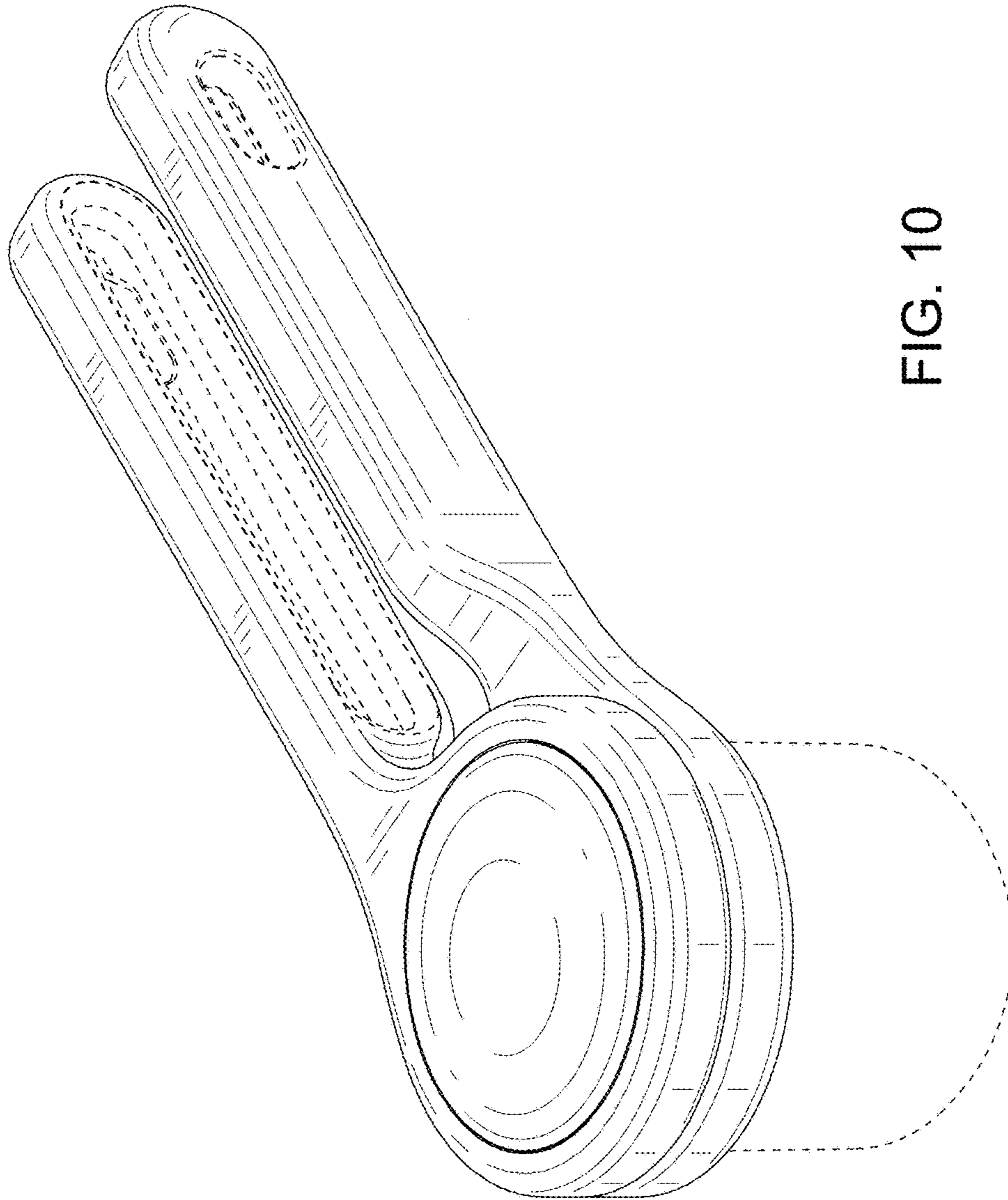


FIG. 10

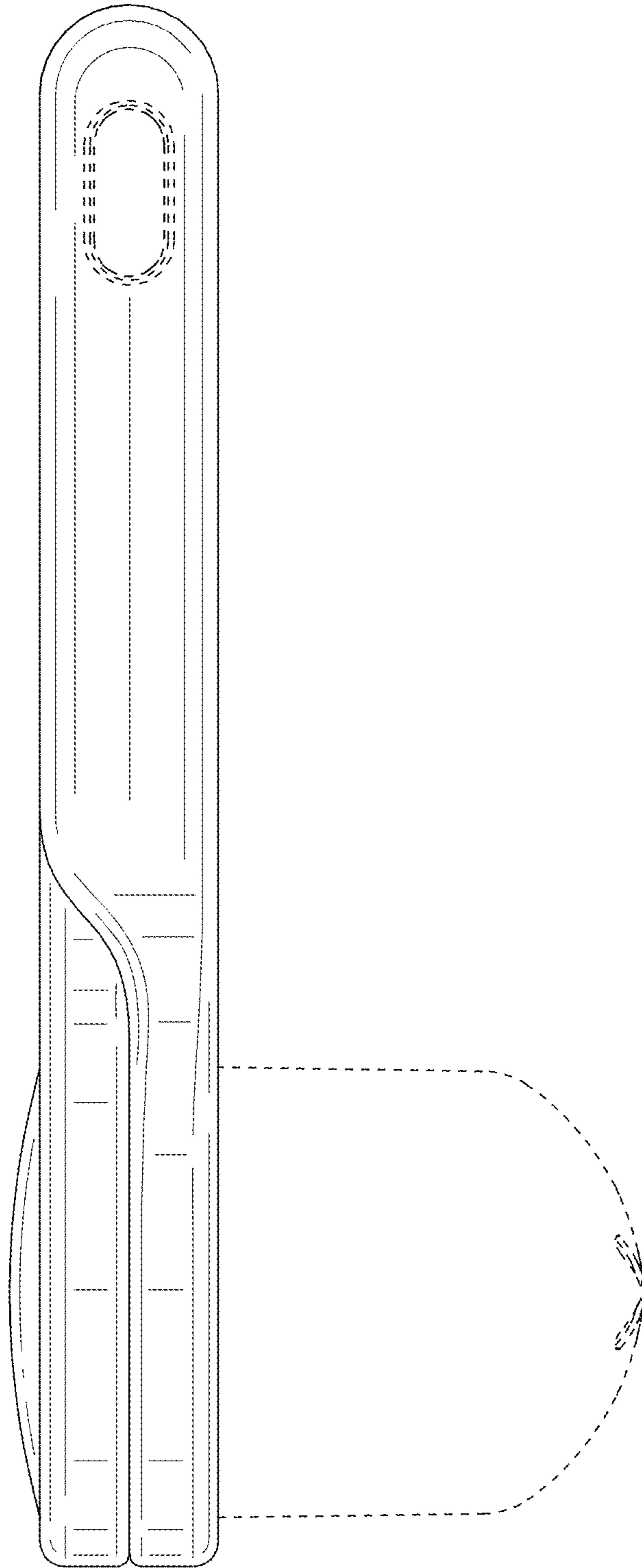


FIG. 11

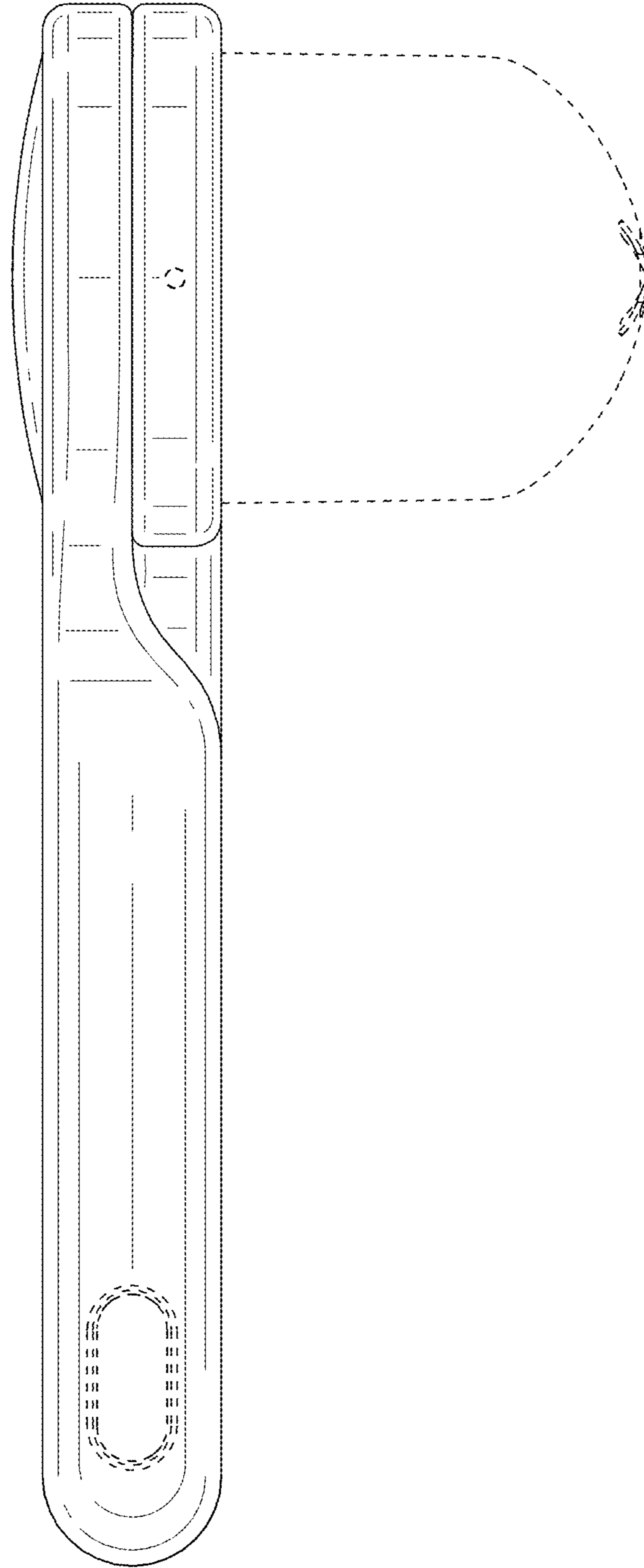


FIG. 12

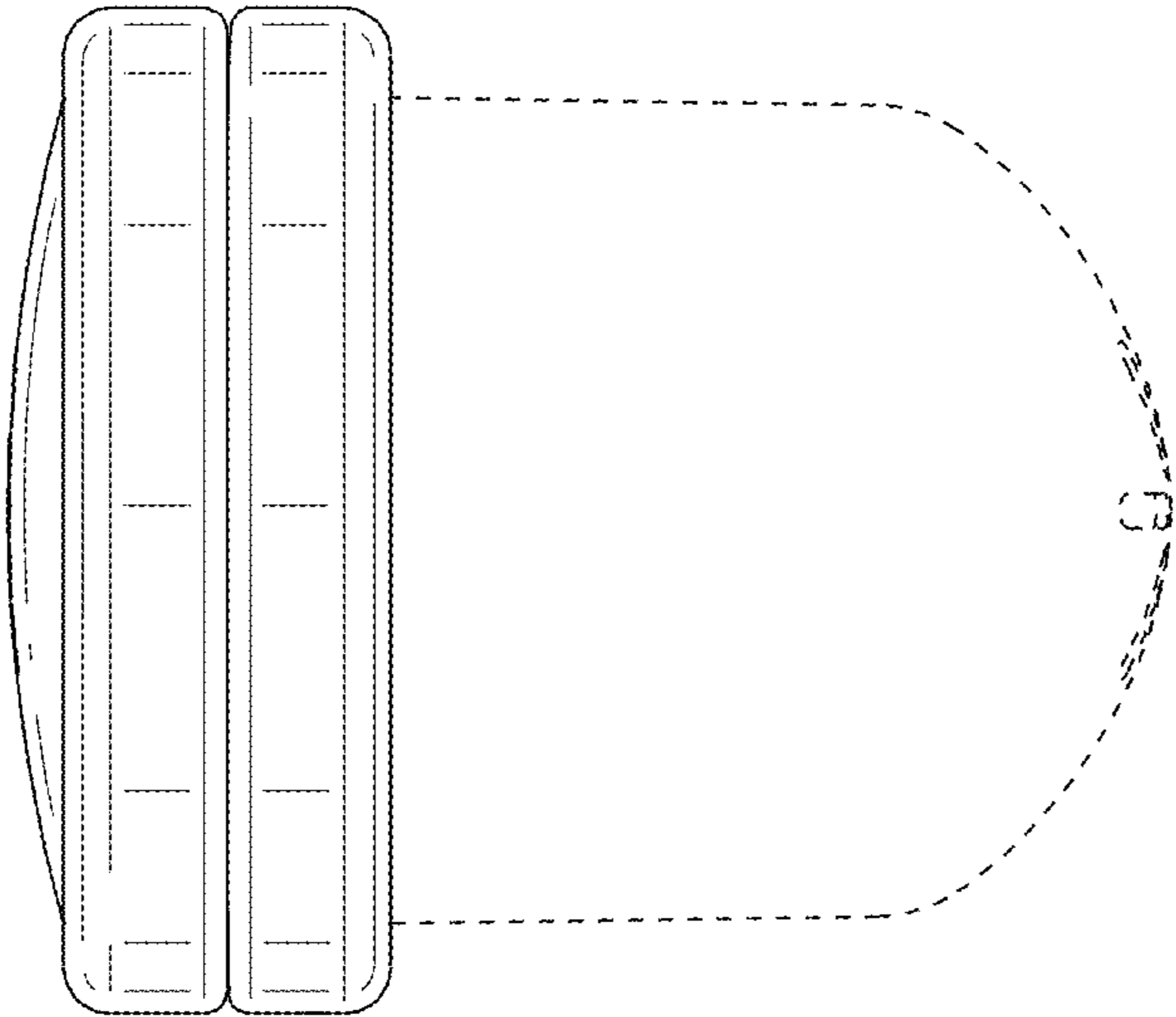


FIG. 13

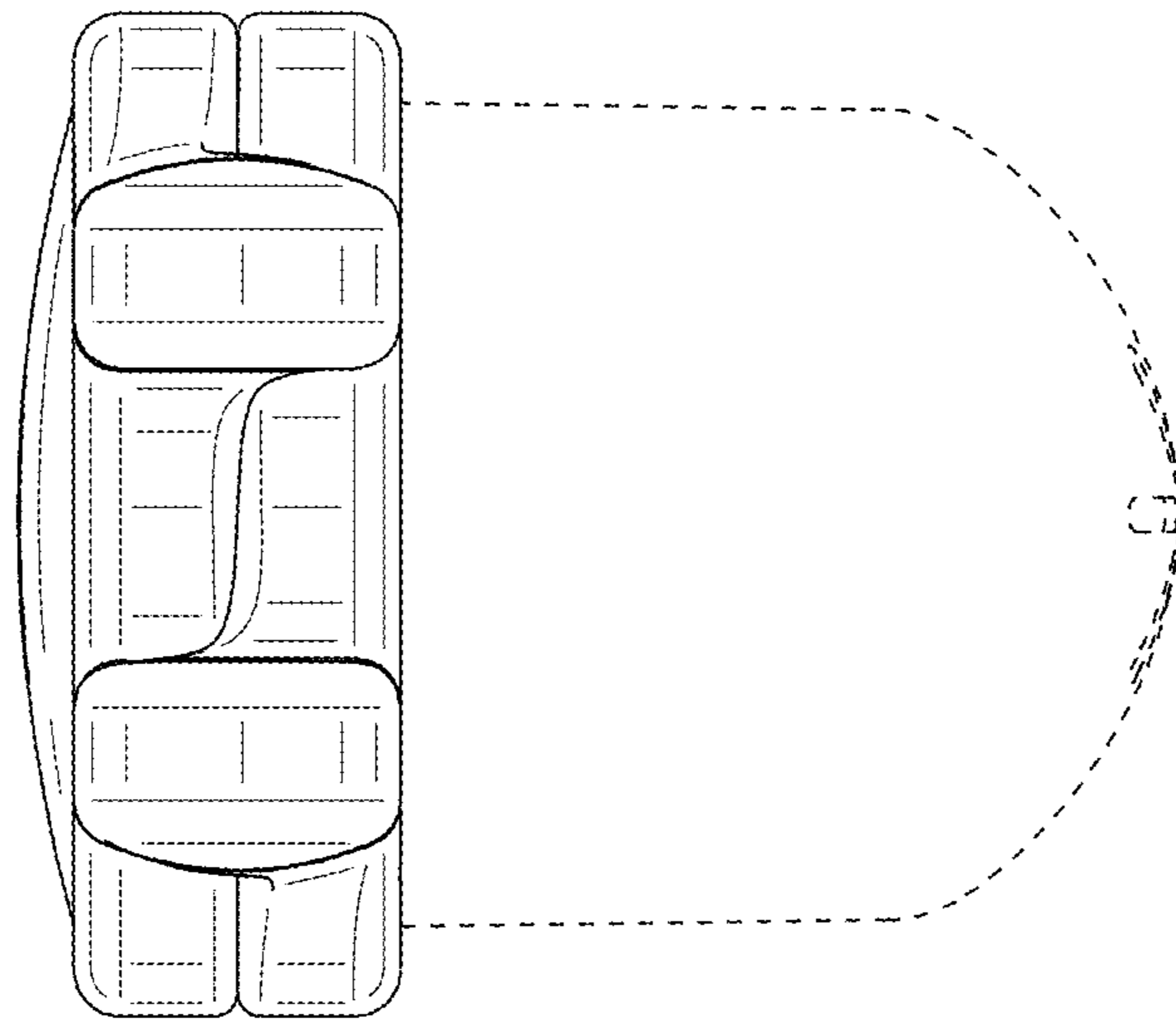


FIG. 14

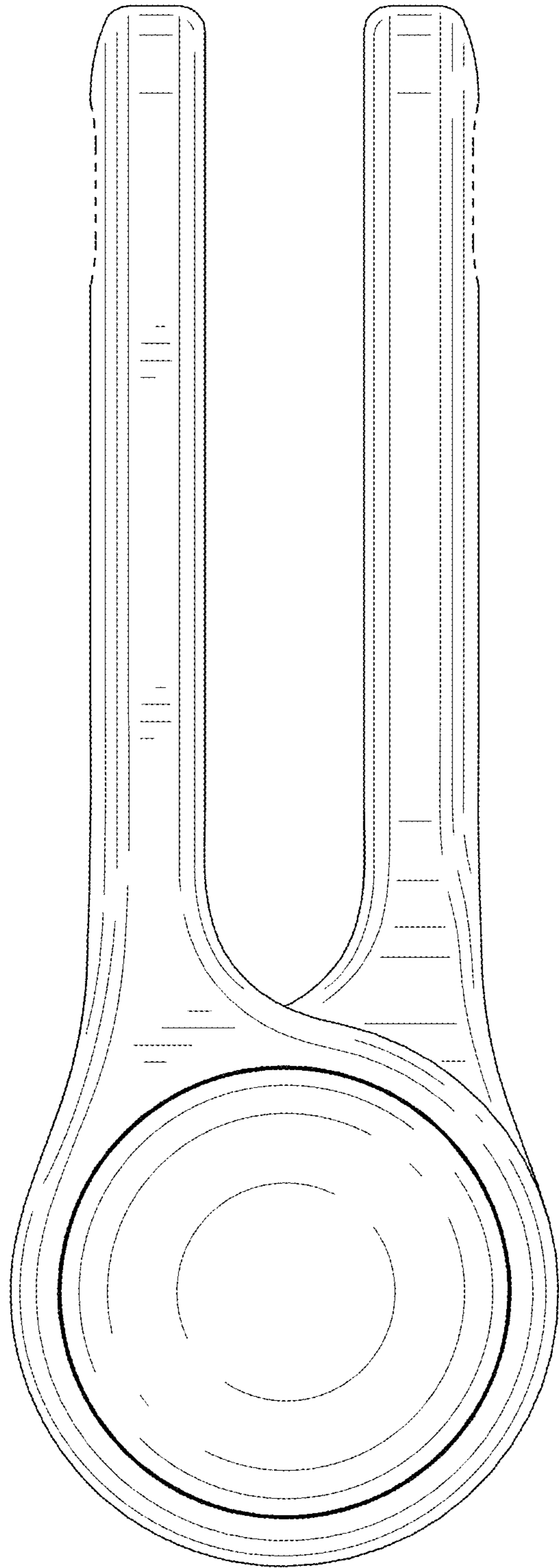


FIG. 15

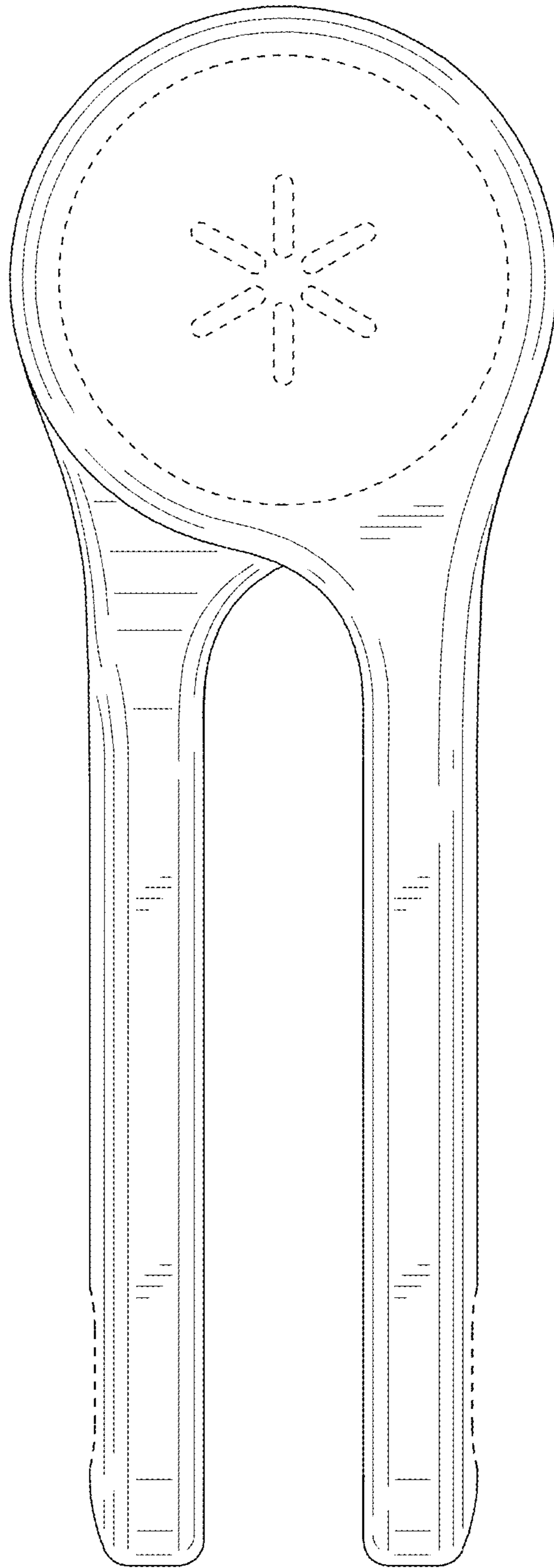


FIG. 16