



US00D826649S

(12) **United States Design Patent**
Hooker

(10) **Patent No.:** **US D826,649 S**

(45) **Date of Patent:** **** Aug. 28, 2018**

(54) **INSULATING CUP SLEEVE**

(71) Applicant: **Huhtamaki, Inc.**, De Soto, KS (US)

(72) Inventor: **Brian Hooker**, Denmead Waterlooville (GB)

(73) Assignee: **HUHTAMAKI, INC.**, De Soto, KS (US)

(**) Term: **15 Years**

(21) Appl. No.: **29/626,258**

(22) Filed: **Nov. 15, 2017**

Related U.S. Application Data

(62) Division of application No. 29/545,060, filed on Nov. 9, 2015, now Pat. No. Des. 811,822.

(51) **LOC (11) Cl.** **07-06**

(52) **U.S. Cl.**
USPC **D7/607; D7/624.2; D7/608**

(58) **Field of Classification Search**
USPC D7/507, 601, 602, 605, 607, 608, 619.1, D7/624.1-624.3, 701, 703, 708; D3/202; 211/41.2, 57.1, 59.2, 66, 74, 94.01, 181.1, 211/189; 248/220.41, 303, 312.1; D9/711

CPC A47B 55/00; A47B 55/02; A47B 73/00; A47B 73/002; A47B 73/004; A47B 73/006; A47B 73/008; A47B 69/00; A47G 23/0266; A47J 47/16

See application file for complete search history.

(56) **References Cited**

U.S. PATENT DOCUMENTS

3,908,523 A 9/1975 Shikaya
5,226,585 A 7/1993 Varano
5,820,016 A 10/1998 Stropkay
D551,027 S * 9/2007 Lowe D7/606

D614,920 S * 5/2010 Dobbin D7/624.2
D640,507 S 6/2011 Selina et al.
D643,689 S 8/2011 Selina et al.
D643,690 S 8/2011 Selina et al.
D643,691 S 8/2011 Selina et al.
D701,091 S * 3/2014 Joy A61J 9/08
D701,427 S * 3/2014 Edmund D7/523
D789,155 S * 6/2017 Triato D7/624.2
D789,753 S * 6/2017 Guise D7/608
D801,753 S * 11/2017 Piper D7/624.2
D804,252 S * 12/2017 Guthrie D7/523
D811,822 S * 3/2018 Hoekstra D7/605

(Continued)

FOREIGN PATENT DOCUMENTS

EP 1785370 B1 3/2008
WO 2007126783 A1 11/2007
WO 2008045708 A1 4/2008

Primary Examiner — Keli L Hill

(74) *Attorney, Agent, or Firm* — Husch Blackwell LLP

(57) **CLAIM**

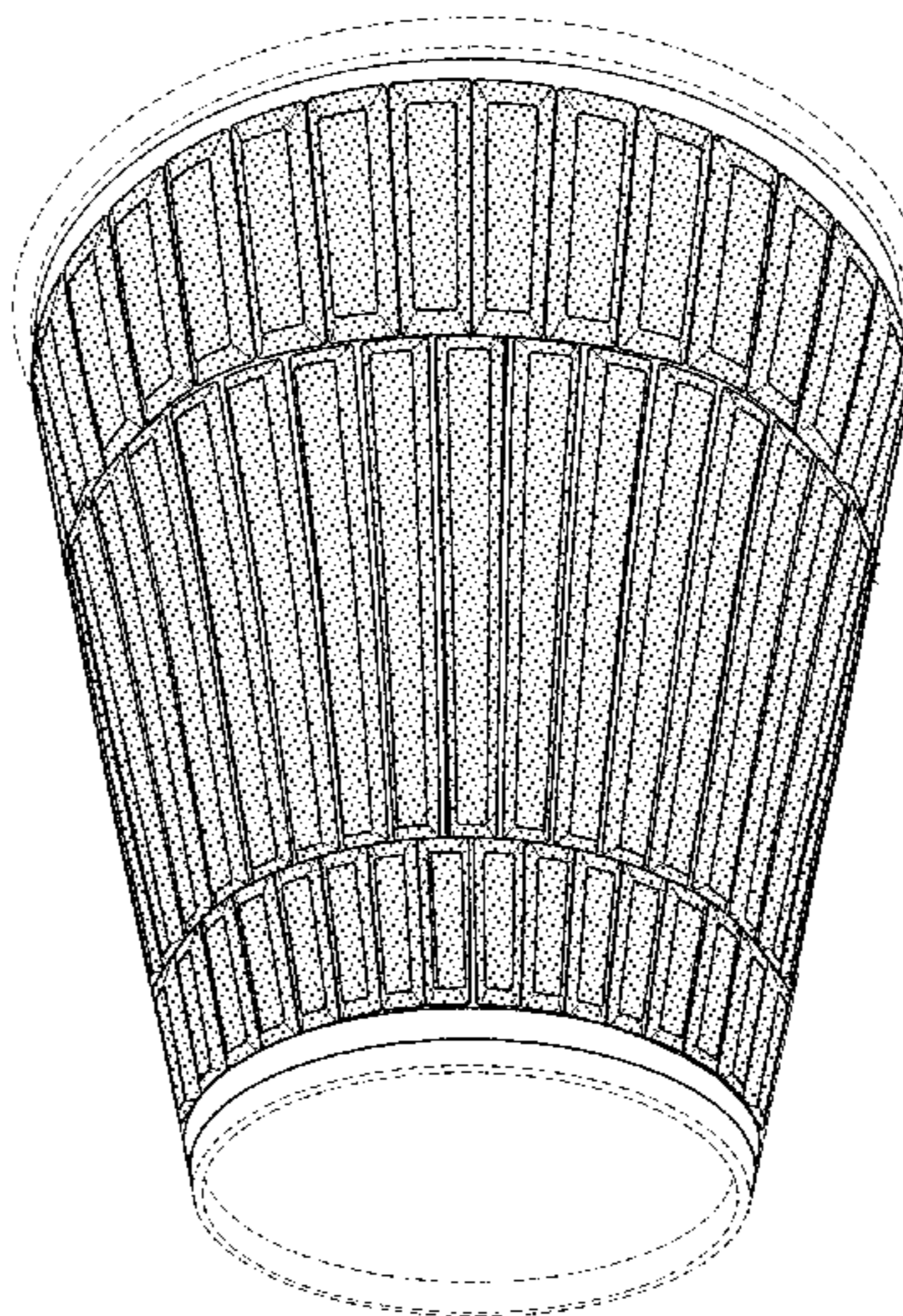
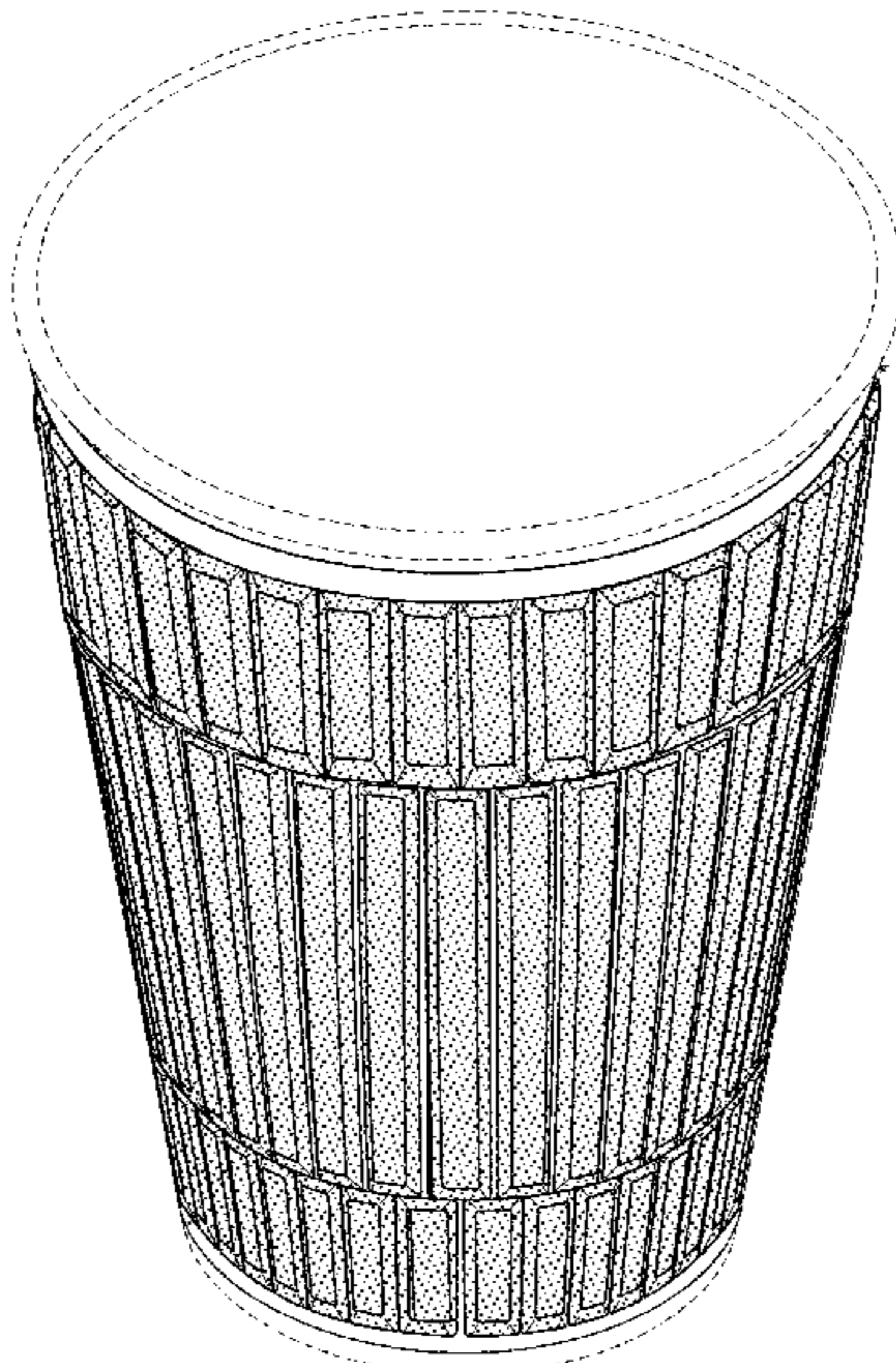
The ornamental design for an insulating cup sleeve, as shown and described.

DESCRIPTION

FIG. 1 is a top perspective view of the design of an insulating cup sleeve showing the new design; FIG. 2 is a bottom perspective view of the insulating cup sleeve shown in FIG. 1; and, FIG. 3 is a front elevation view of the insulating cup sleeve shown in FIG. 1 (the rear elevation view, the left elevation view and the right elevation view of the insulating cup sleeve are each an identical image of the view shown in FIG. 3).

The broken lines shown in the drawing views are included for the purpose of showing environmental structure or boundary lines that forms no part of the claimed design.

1 Claim, 3 Drawing Sheets



(56)

References Cited

U.S. PATENT DOCUMENTS

2006/0000882 A1 1/2006 Darzinskas
2008/0078824 A1 4/2008 Spriegel et al.
2011/0272459 A1 11/2011 Hoekstra et al.

* cited by examiner

FIG. 1

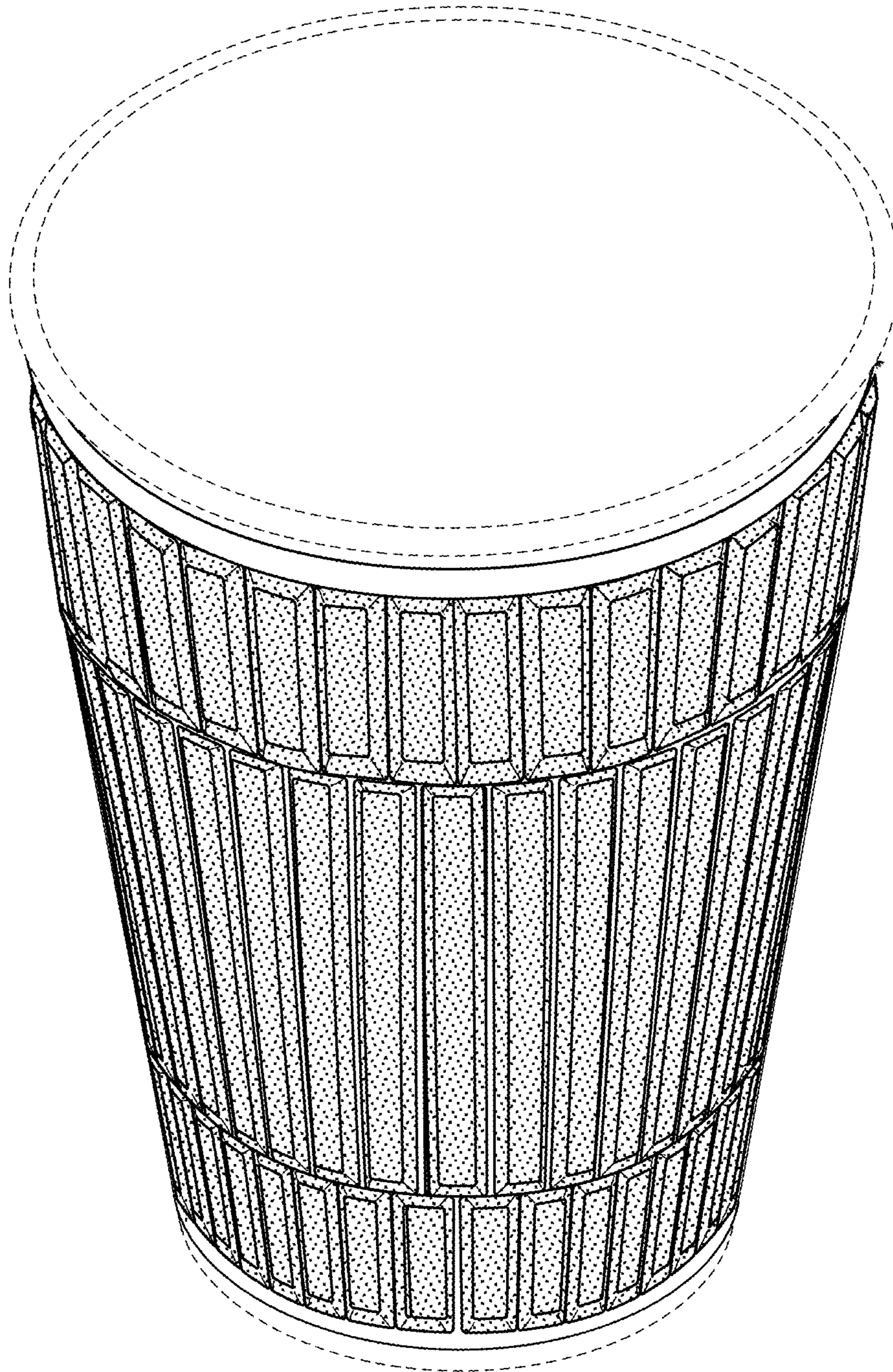


FIG. 2

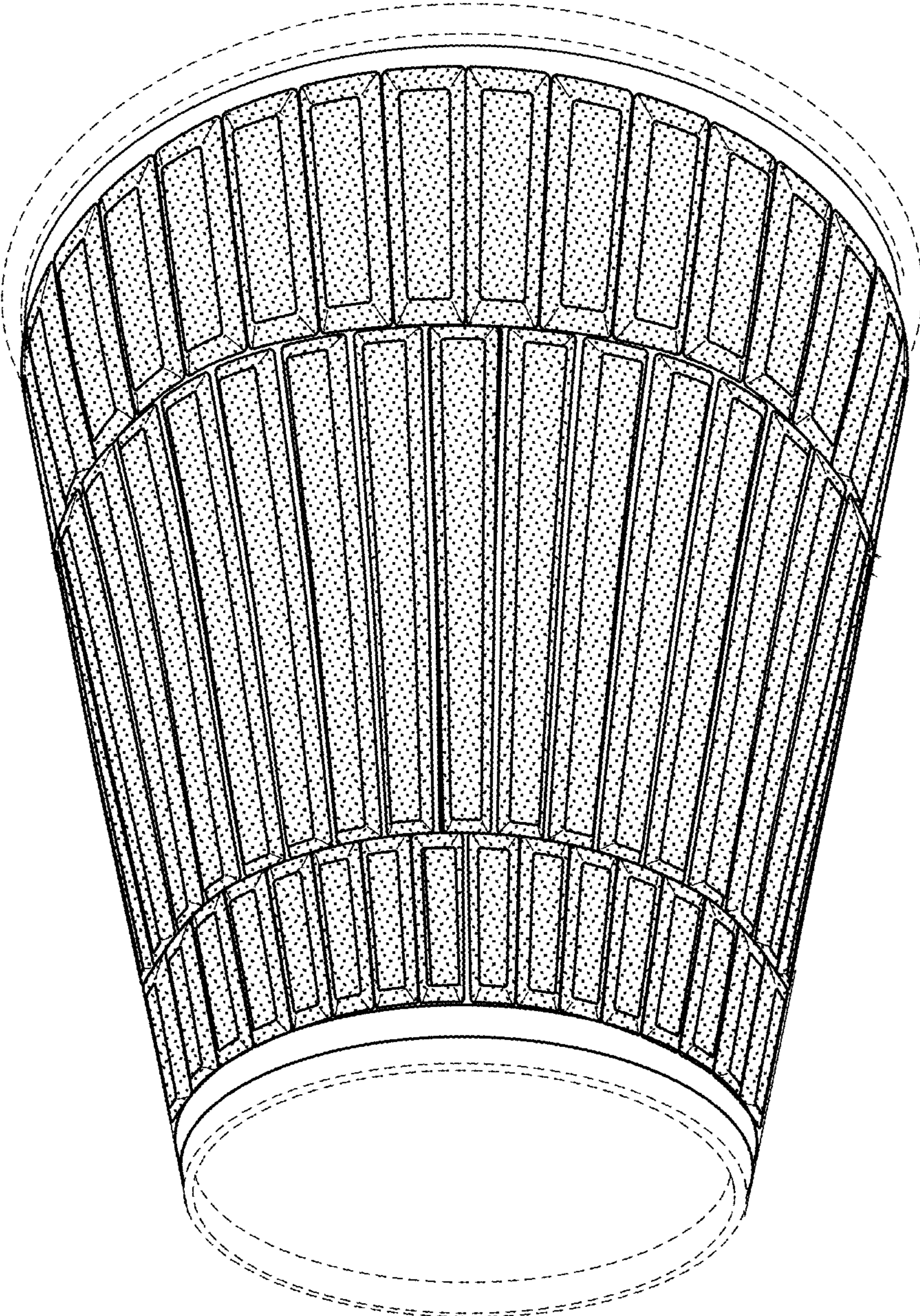


FIG. 3

