



US00D826644S

(12) **United States Design Patent** (10) **Patent No.:** **US D826,644 S**
Bergeron et al. (45) **Date of Patent:** **** *Aug. 28, 2018**

(54) **FOOD TRAY AND DISPLAY**
(71) Applicant: **Tekni-Plex, Inc.**, Wayne, PA (US)
(72) Inventors: **Mark A. Bergeron**, Monroe, GA (US);
Darren Hoffman, Kansas City, MO (US)
(73) Assignee: **TEKNI-PLEX, Inc.**, Wayne, PA (US)
(*) Notice: This patent is subject to a terminal disclaimer.

D438,100 S 2/2001 Cekota
D463,977 S 10/2002 Castellanos
D492,593 S 7/2004 Dutton
D514,452 S * 2/2006 Enriquez D9/759
D592,077 S * 5/2009 Sipe D9/420
D606,422 S * 12/2009 Schmidt D3/313
D614,047 S 4/2010 Landry
D673,392 S * 1/2013 Noppe D6/675.3
D684,276 S 6/2013 Hudson
D695,134 S 12/2013 Priebe
D708,763 S 7/2014 Smeja
D729,550 S 5/2015 Williams
D739,680 S 9/2015 Smeja

(Continued)

(**) Term: **15 Years**
(21) Appl. No.: **29/576,919**
(22) Filed: **Sep. 8, 2016**

Related U.S. Application Data

(63) Continuation of application No. 29/522,474, filed on Mar. 31, 2015, now Pat. No. Des. 766,663.
(51) **LOC (11) Cl.** **07-01**
(52) **U.S. Cl.**
USPC **D7/553.1**
(58) **Field of Classification Search**
USPC D7/550.1, 552.2, 553.1, 553.2, 553.5,
D7/554.3, 601-602, 397, 401.1; D9/415,
D9/418, 759-761
CPC B65D 1/243; B65D 2501/24019; B65D
2501/24165; B65D 11/18; B65D 85/30
See application file for complete search history.

(56) **References Cited**

U.S. PATENT DOCUMENTS

3,508,930 A 4/1970 Viesturs
D236,575 S 9/1975 Vigue
D331,008 S 11/1992 Vigue
5,335,814 A * 8/1994 Hepp B65D 71/70
206/427
D351,661 S 10/1994 Fischer
D384,275 S 9/1997 DuBois

OTHER PUBLICATIONS

Commodore Plastics (Bloomfield, NY) Sausage Ball tray (Jan. 21, 2014); top, bottom, and side views.

Primary Examiner — Kelley Donnelly

(74) *Attorney, Agent, or Firm* — Polsinelli PC; Therese A. Hendricks

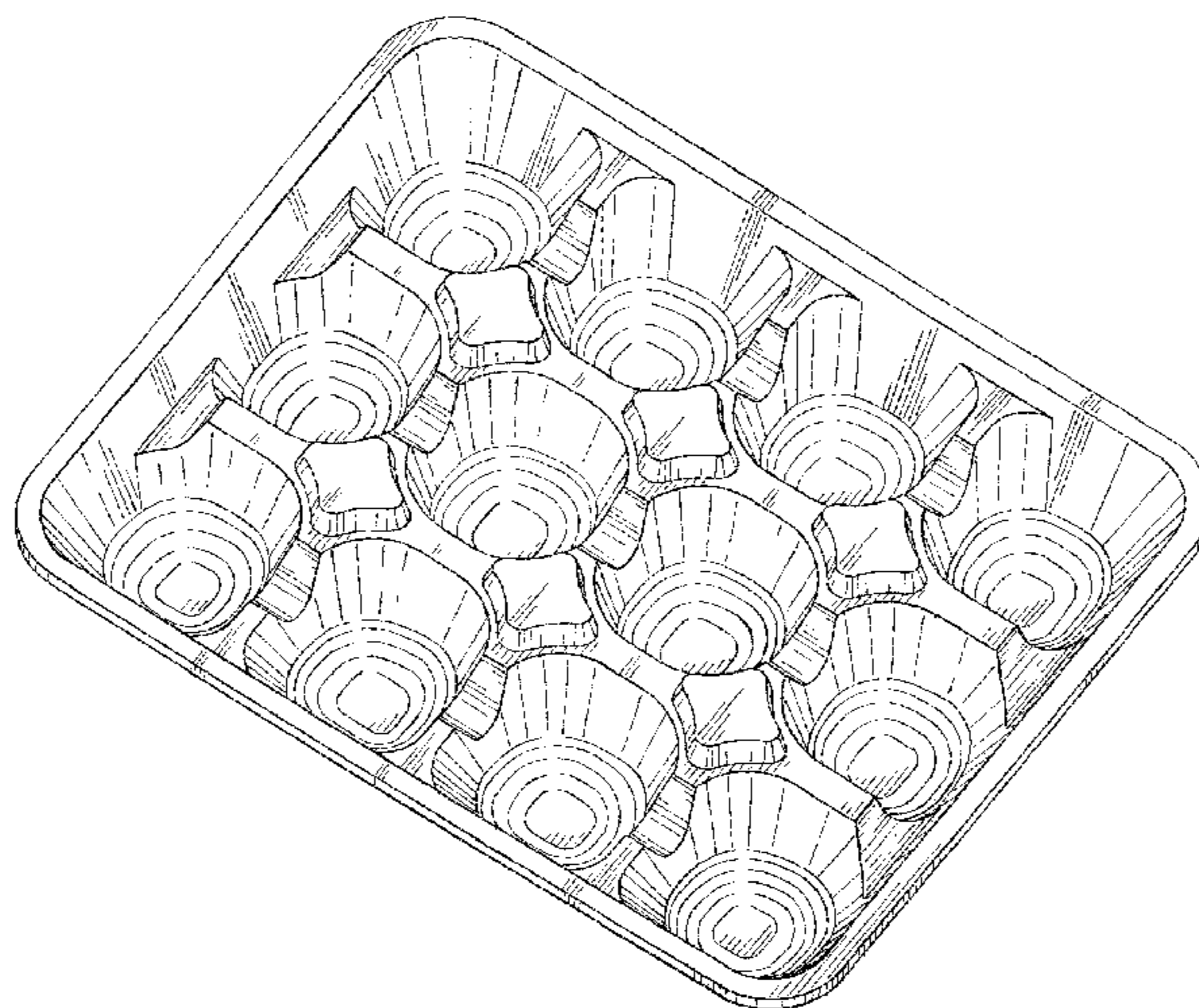
(57) **CLAIM**

The ornamental design for a food tray and display, as shown and described.

DESCRIPTION

FIG. 1 is a top, front, right side perspective view of a first embodiment of a food tray;
FIG. 2 is a top plan view thereof;
FIG. 3 is a bottom plan view thereof;
FIG. 4 is a front elevational view thereof, the rear view being a mirror image thereof;
FIG. 5 is a left side elevational view thereof, the right side view being a mirror image thereof; and,
FIG. 6 is a front perspective view thereof, shown with environment.
The broken lines depict environmental subject matter only and form no part of the claimed design.

1 Claim, 5 Drawing Sheets



(56)

References Cited

U.S. PATENT DOCUMENTS

D750,975	S	3/2016	Prince	
9,340,350	B2 *	5/2016	Kuruvilla	B65D 85/32
9,382,056	B1 *	7/2016	Hanna	B65D 85/32
D766,663	S *	9/2016	Bergeron	D7/553.1
D778,176	S *	2/2017	Long	D9/757
D779,340	S *	2/2017	Liu	D9/758
D786,021	S *	5/2017	Eby	D7/553.6
D793,252	S *	8/2017	Prince	D9/755
D798,740	S *	10/2017	Lee	D9/658
2013/0183412	A1 *	7/2013	Ramirez	B65D 77/0413 426/119
2014/0197064	A1 *	7/2014	Prince	B65B 5/068 206/501
2017/0275903	A1 *	9/2017	Gilpin	E02D 27/00

* cited by examiner

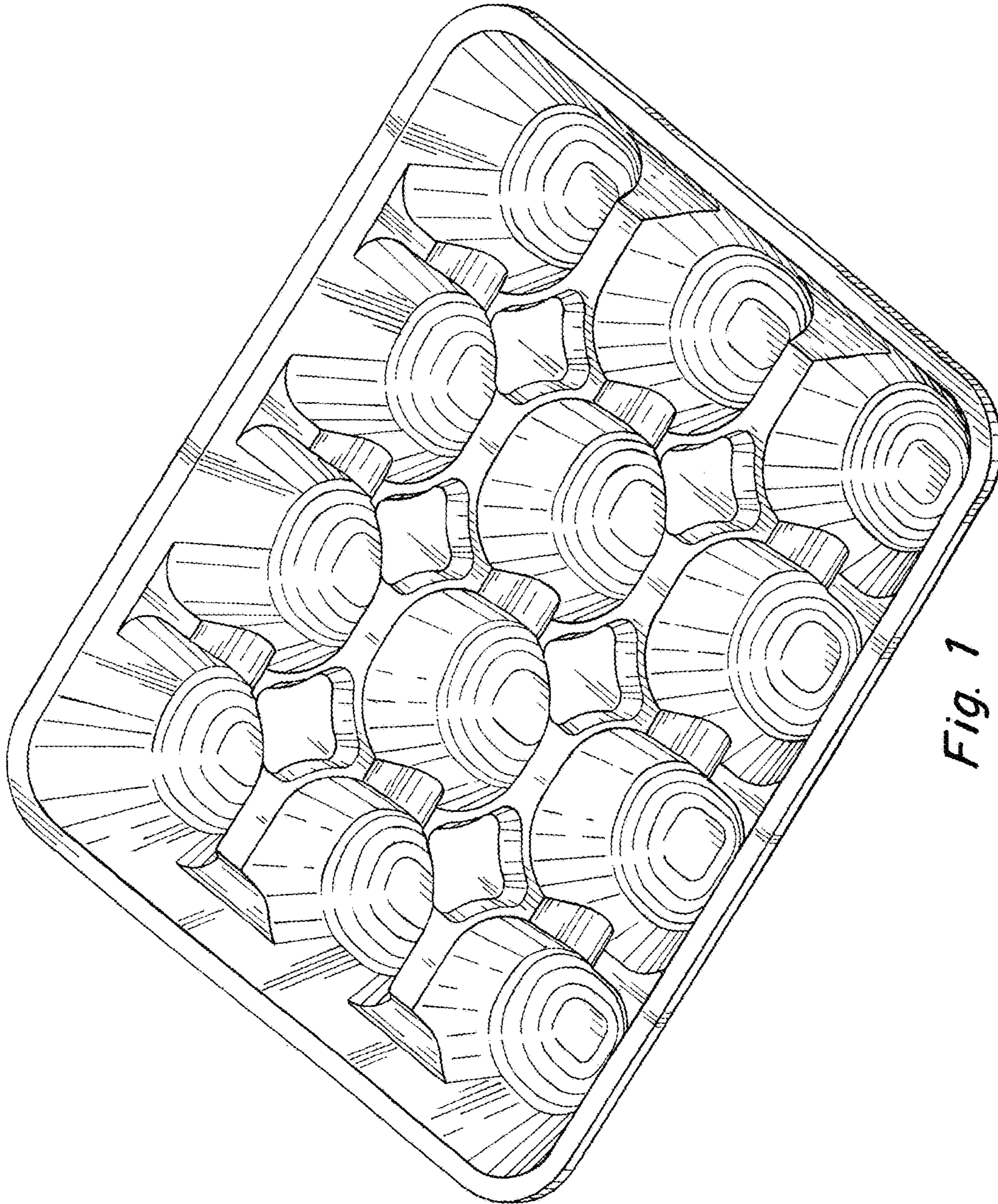


Fig. 1

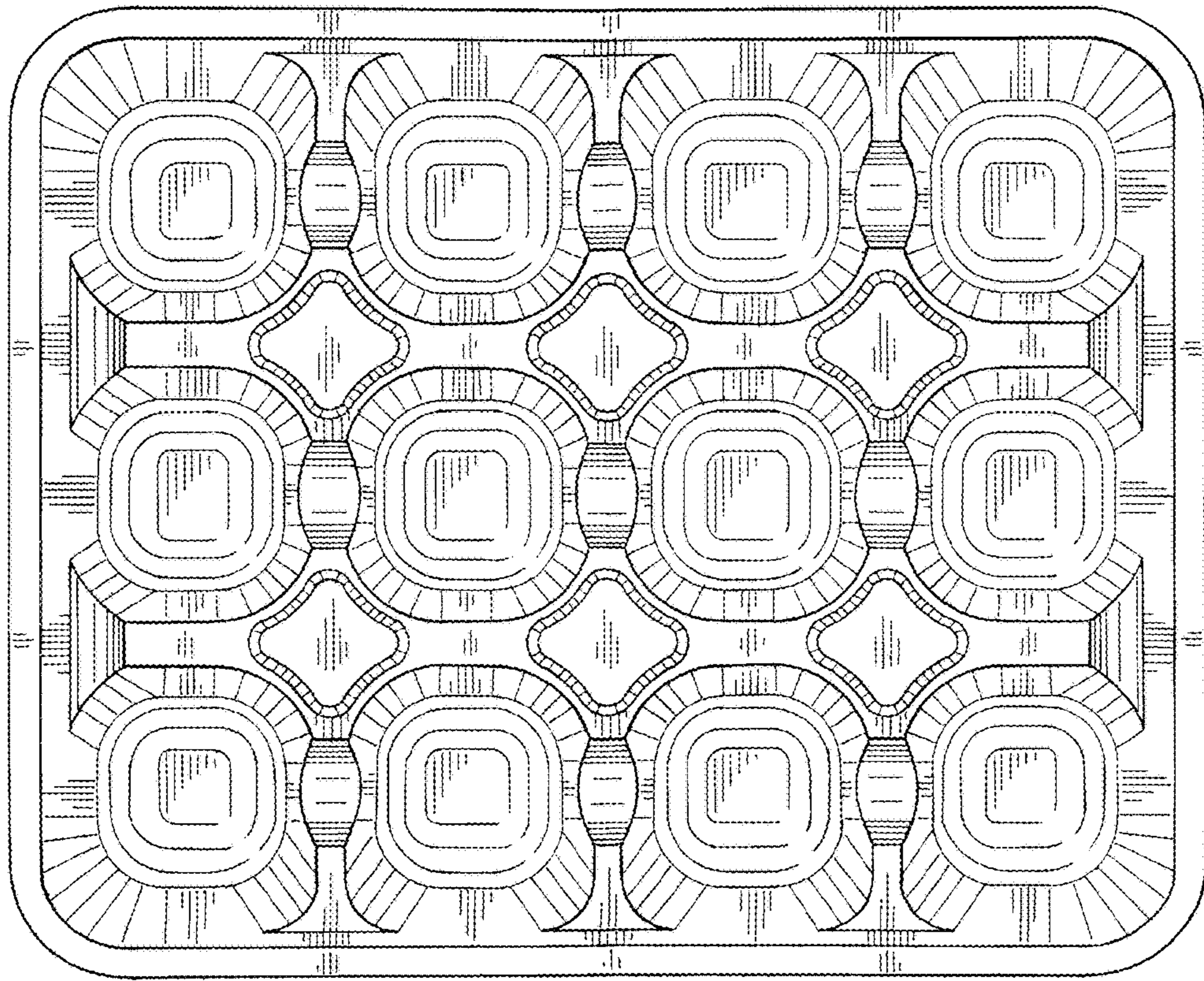


Fig. 2

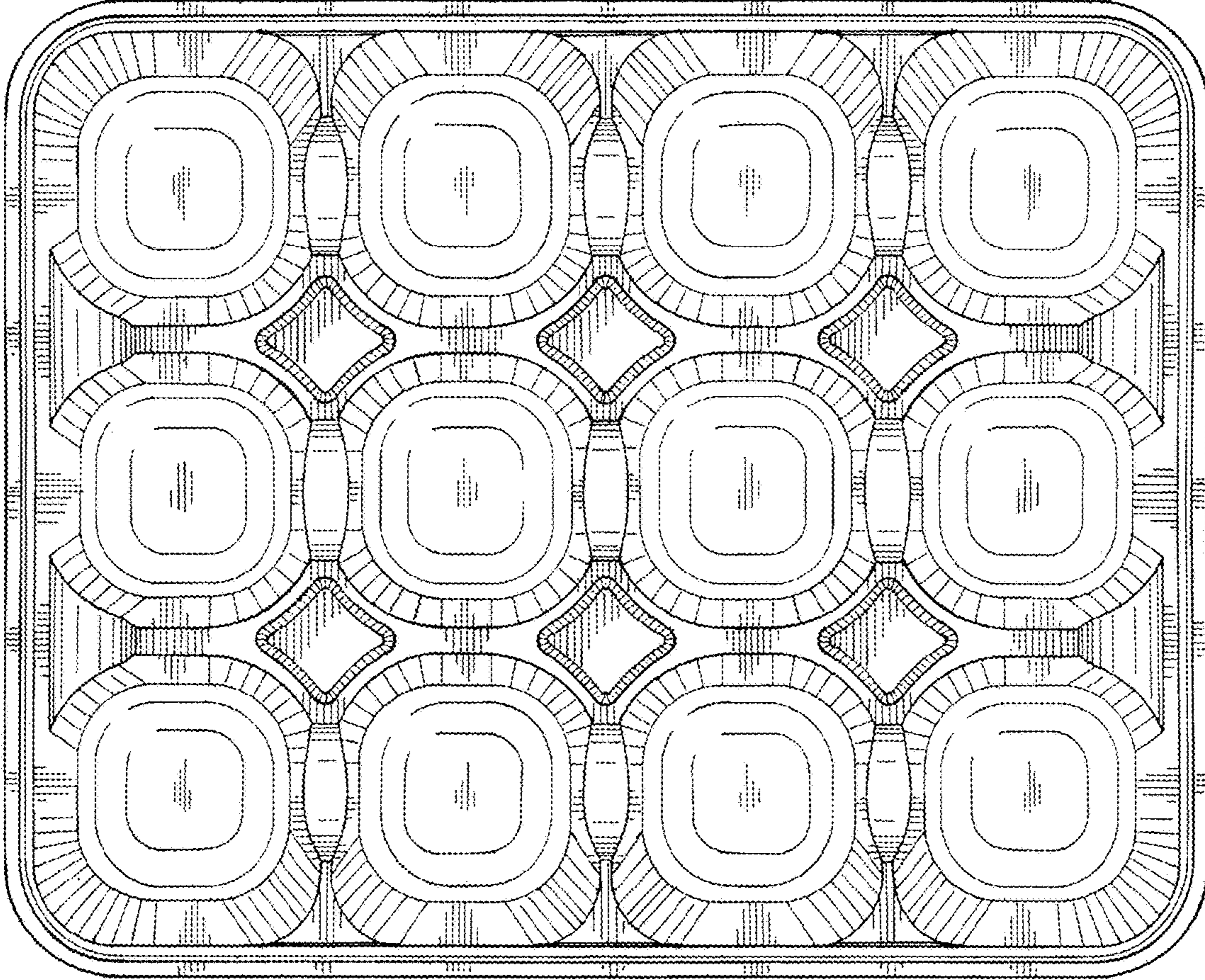


Fig. 3

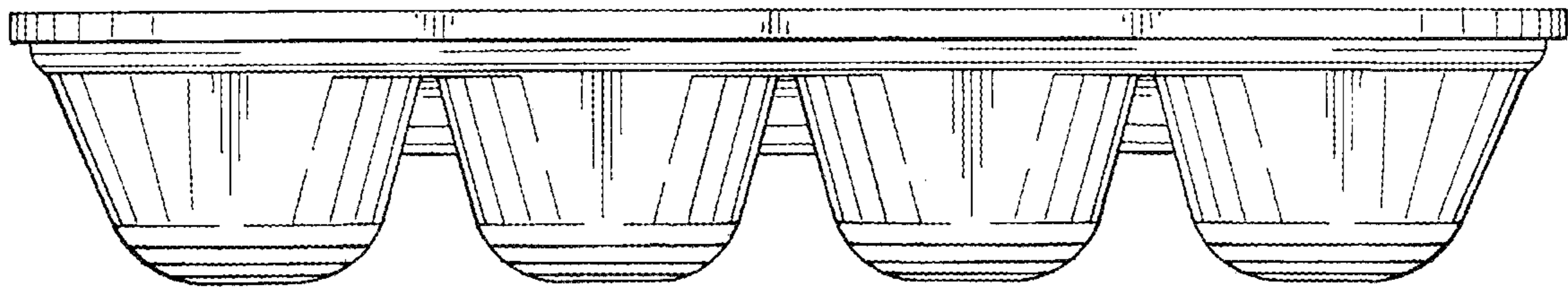


Fig. 4

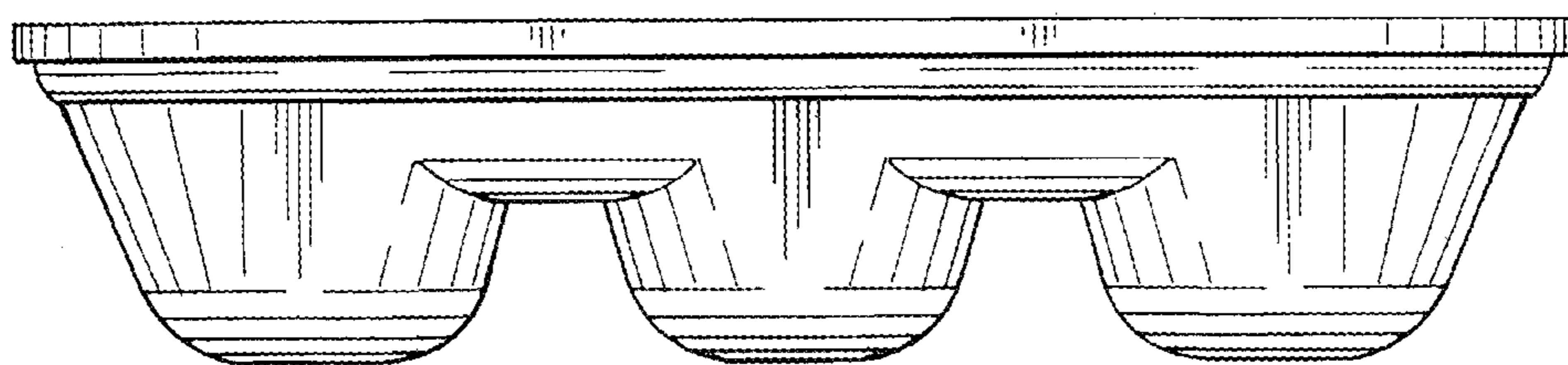


Fig. 5

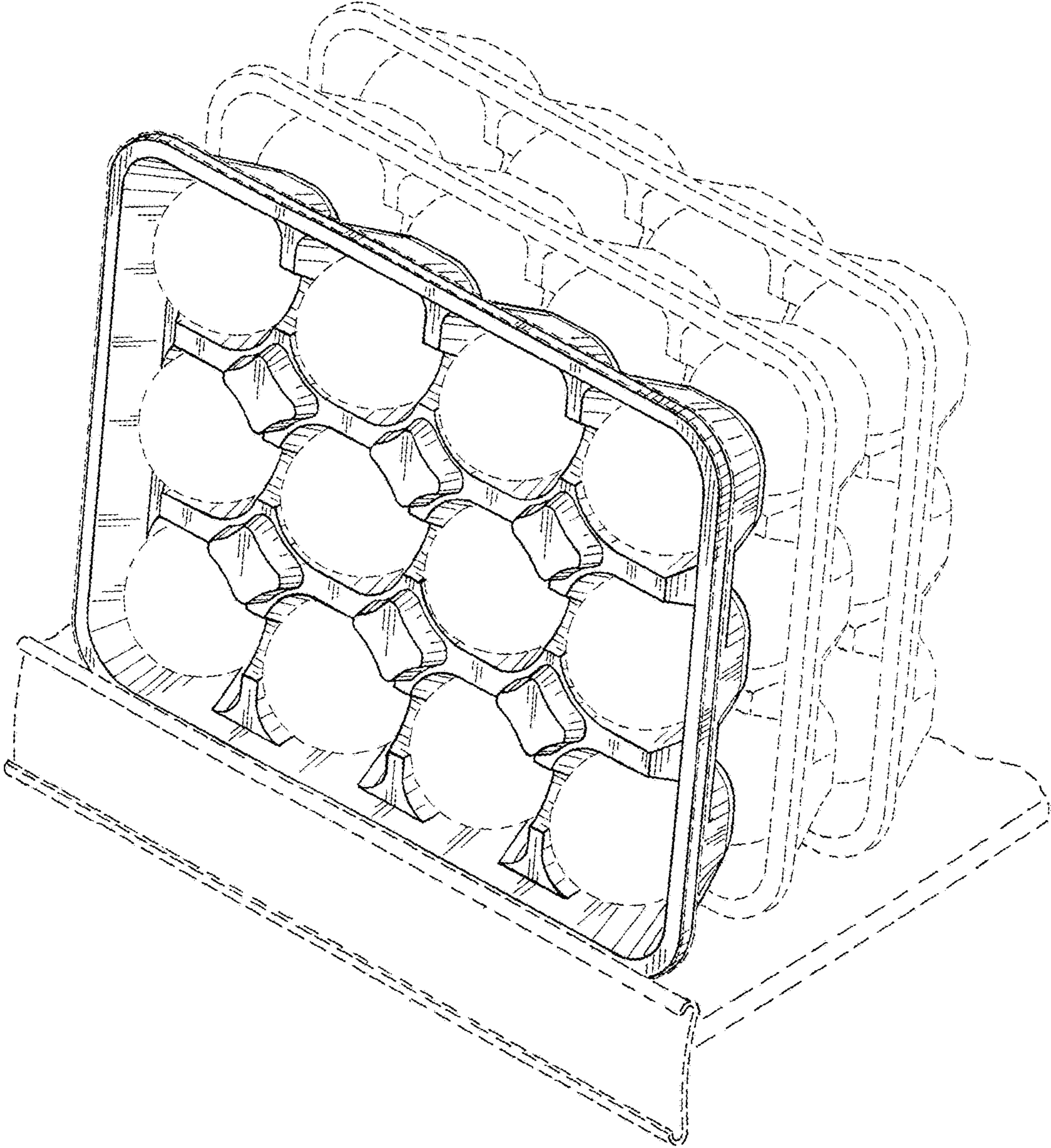


Fig. 6