



US00D826642S

(12) **United States Design Patent**
Bowen et al.

(10) **Patent No.:** **US D826,642 S**

(45) **Date of Patent:** **** Aug. 28, 2018**

- (54) **VESSEL**
- (71) Applicants: **Troy Bowen**, Denver, CO (US); **Brian Curry**, Denver, CO (US)
- (72) Inventors: **Troy Bowen**, Denver, CO (US); **Brian Curry**, Denver, CO (US)

D634,592 S *	3/2011	Bittner	D7/700
D649,844 S *	12/2011	Bittner	D7/700
D716,112 S *	10/2014	Cranstoun	D7/700
D732,906 S *	6/2015	Anderson	D7/669
D738,169 S *	9/2015	Weisenbach	D7/700

(**) Term: **15 Years**

* cited by examiner

(21) Appl. No.: **29/617,399**

Primary Examiner — Derrick Holland

Assistant Examiner — Andrew Kerr

(22) Filed: **Sep. 13, 2017**

(74) *Attorney, Agent, or Firm* — Ronald C. Gorsche

Related U.S. Application Data

(62) Division of application No. 29/491,191, filed on May 19, 2014, now Pat. No. Des. 800,505.

(51) **LOC (11) Cl.** **07-01**

(52) **U.S. Cl.**
USPC **D7/536; D7/700**

(58) **Field of Classification Search**
USPC D7/213, 300, 300.1, 305, 387, 397, 412,
D7/415, 509, 669, 700; D10/46, 46.2
CPC . A47J 31/06; B65D 1/02; B65D 39/00; B67C
11/00
See application file for complete search history.

(56) **References Cited**

U.S. PATENT DOCUMENTS

657,080 A *	9/1900	Belden	B67D 1/1238 137/213
4,231,876 A *	11/1980	Zimmermann	A47J 31/06 210/232

(57) **CLAIM**

The ornamental design for a vessel, as shown and described.

DESCRIPTION

FIG. 1 is a top perspective view of a vessel showing our new ornamental design;

FIG. 2 is a bottom perspective view thereof;

FIG. 3 is a top view thereof;

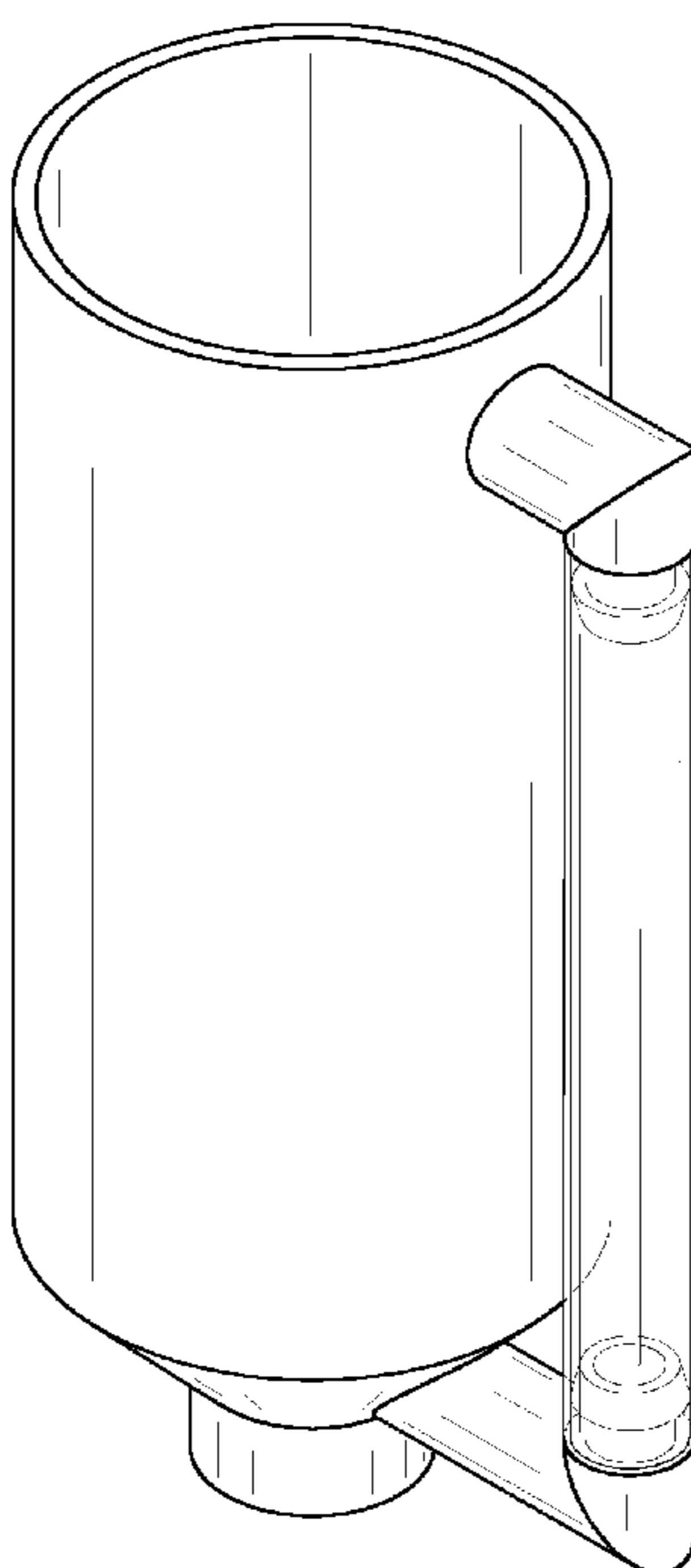
FIG. 4 is a bottom view thereof;

FIG. 5 is a left side view thereof;

FIG. 6 is a right side view thereof; and,

FIG. 7 is a front view thereof.

1 Claim, 4 Drawing Sheets



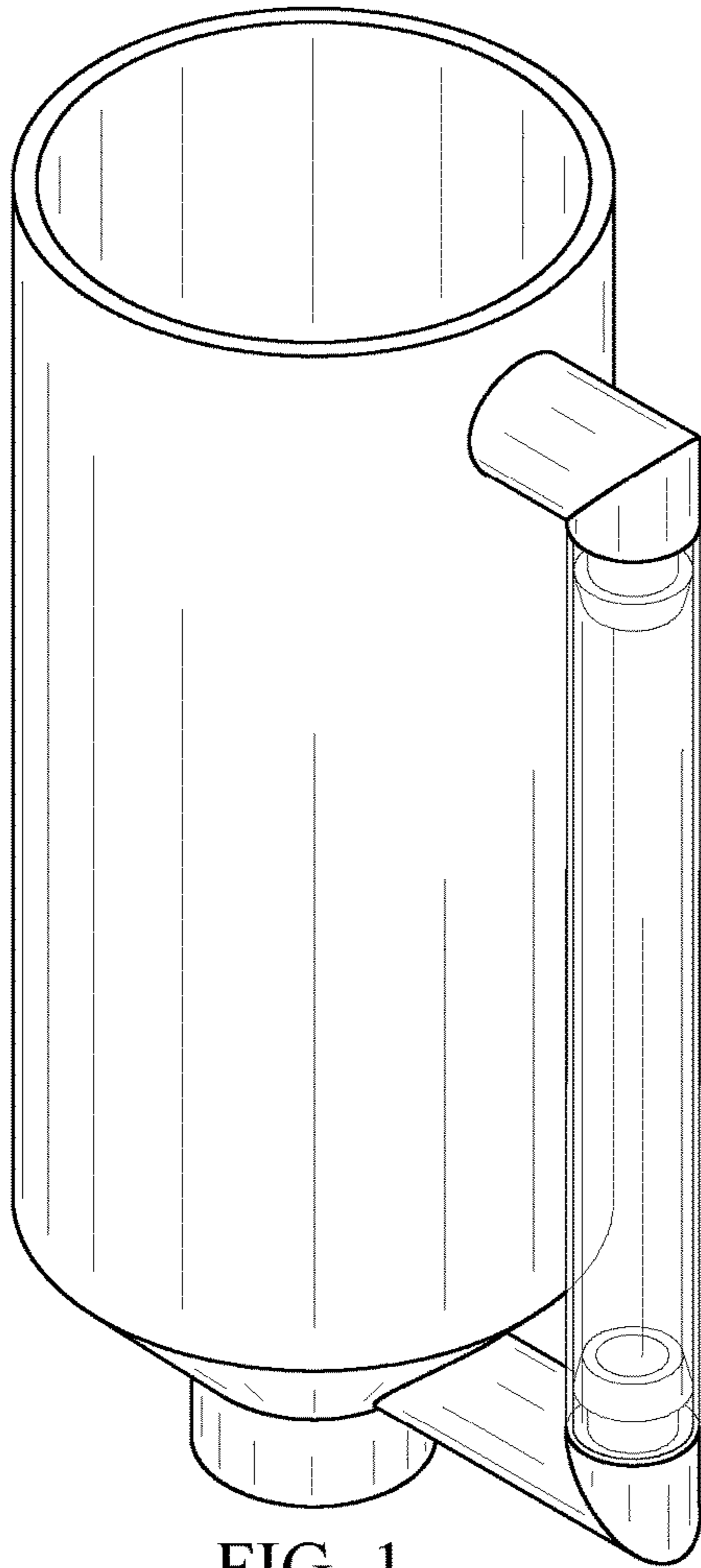


FIG. 1

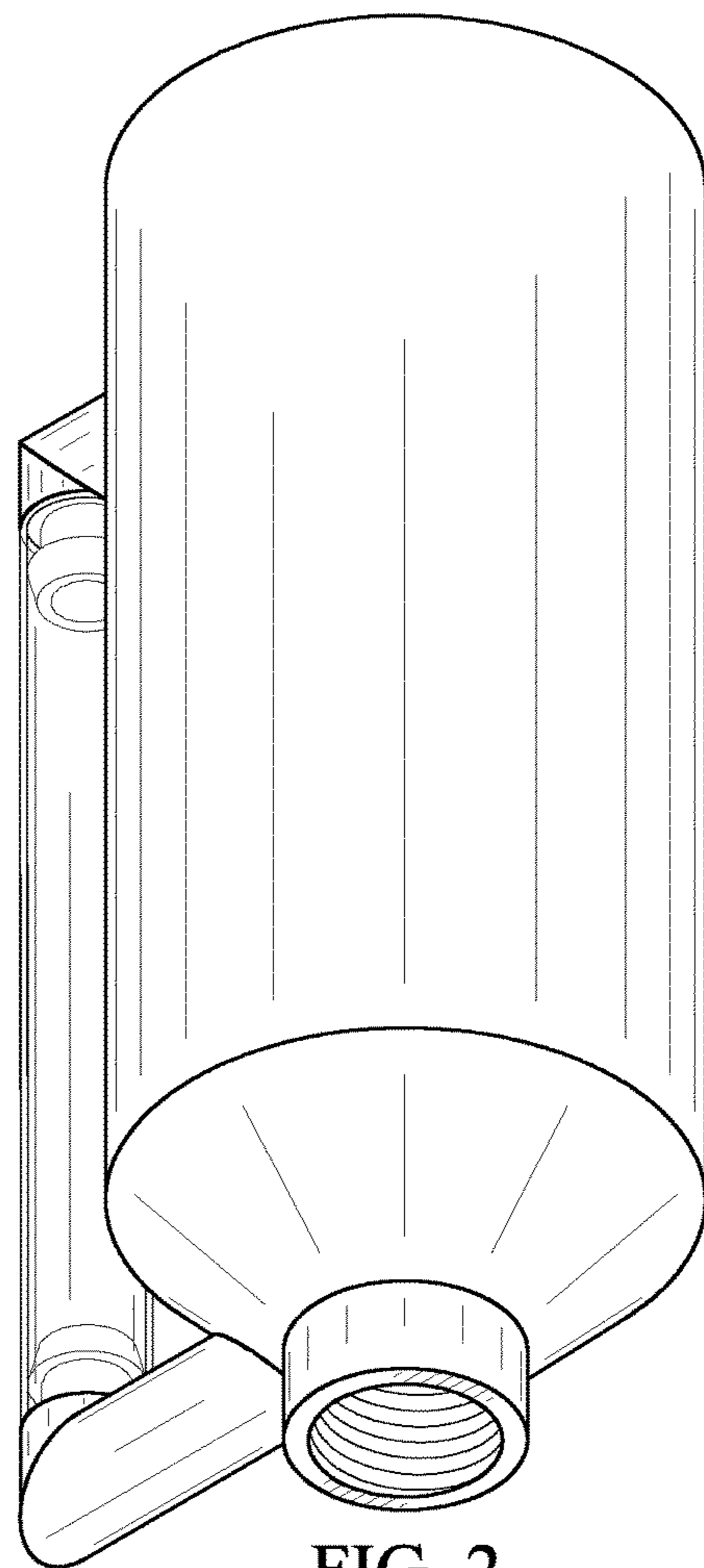


FIG. 2

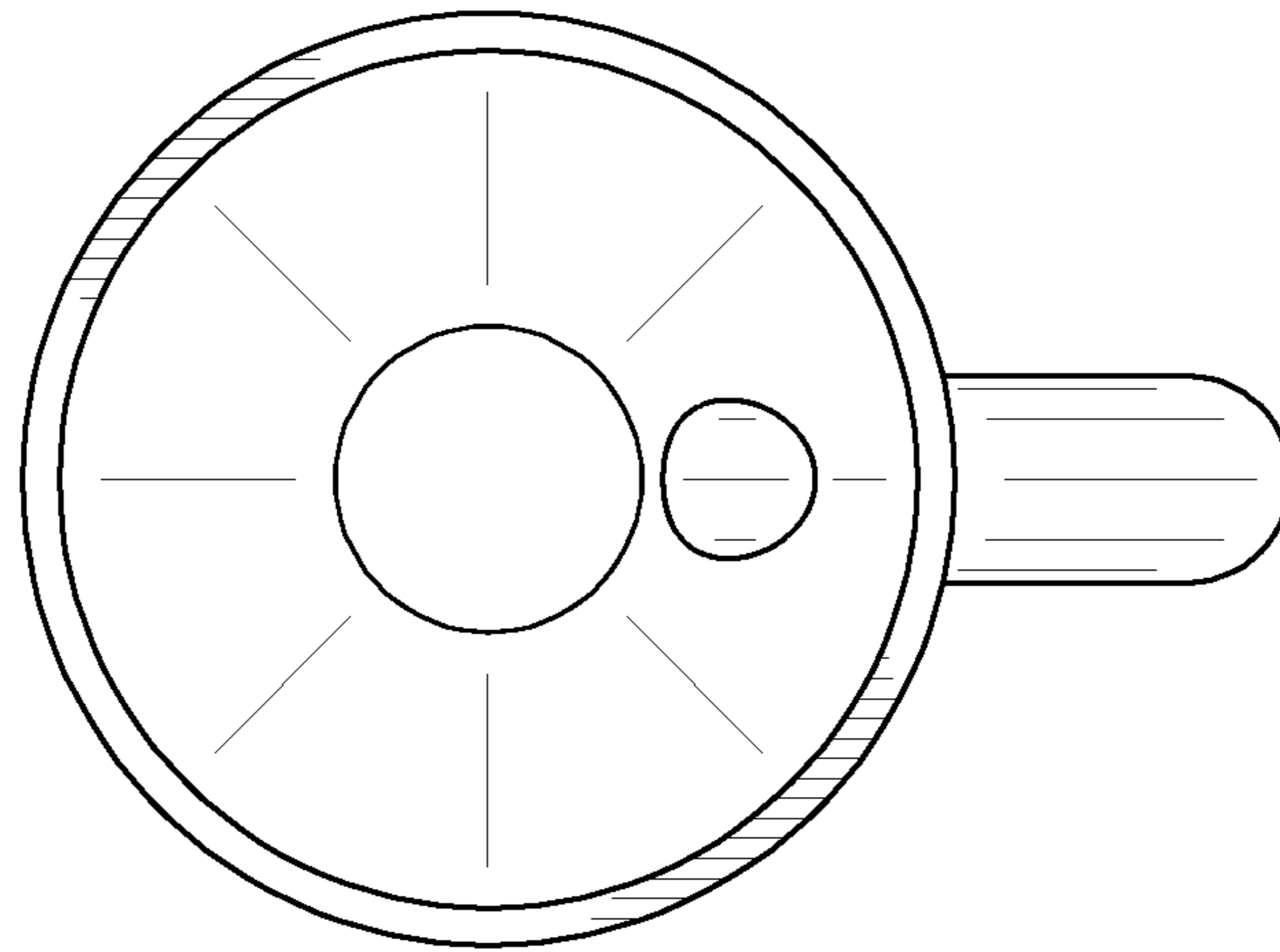


FIG. 3

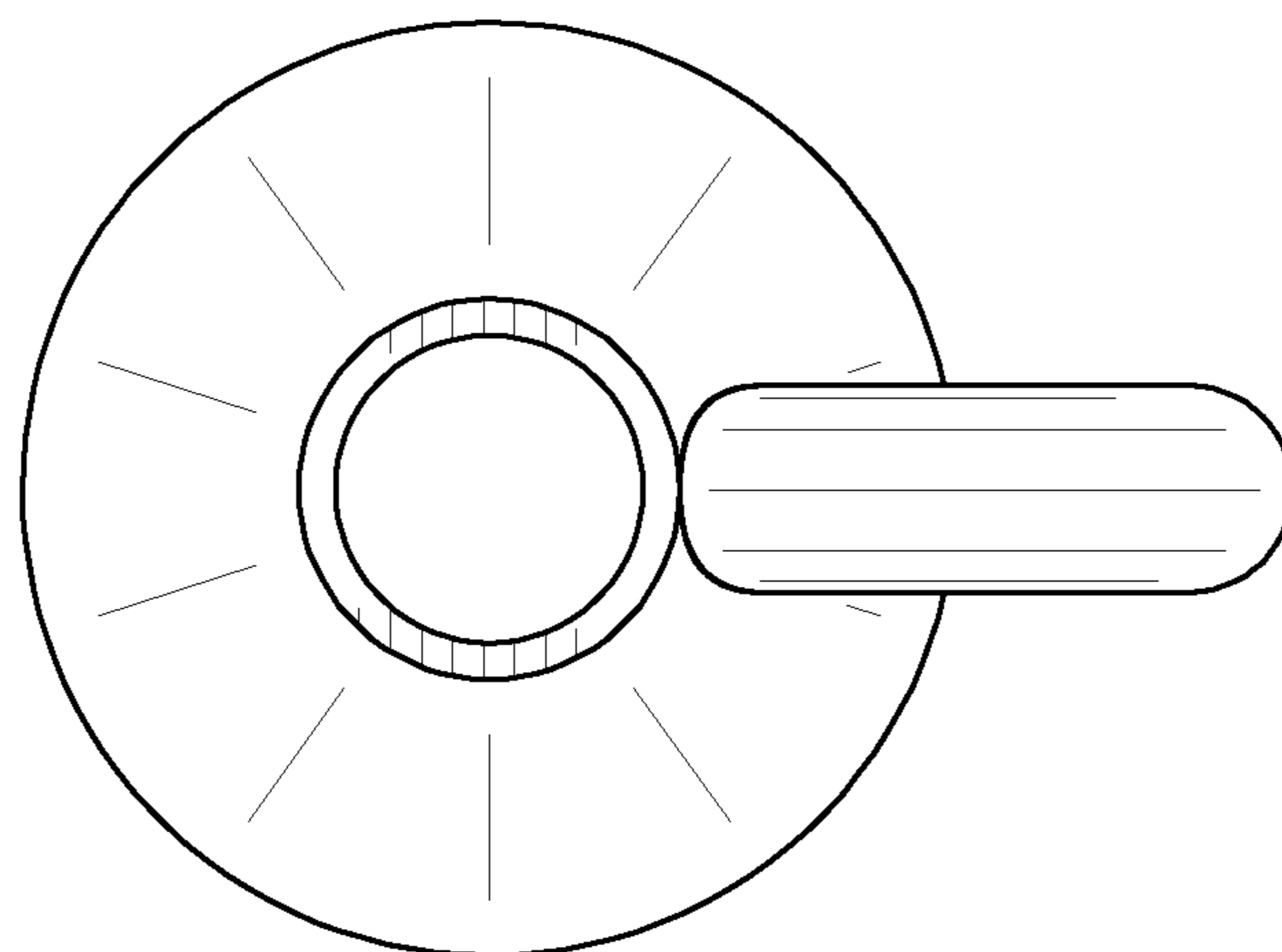


FIG. 4

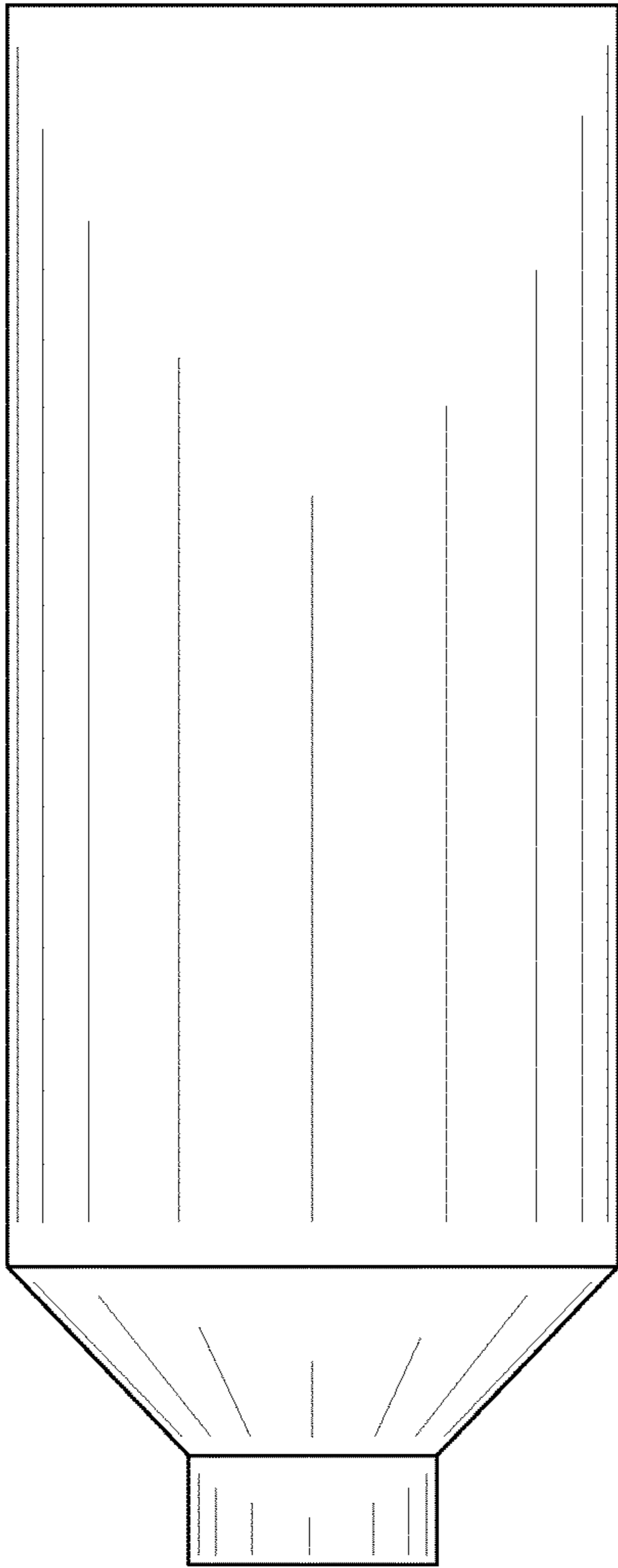


FIG. 5

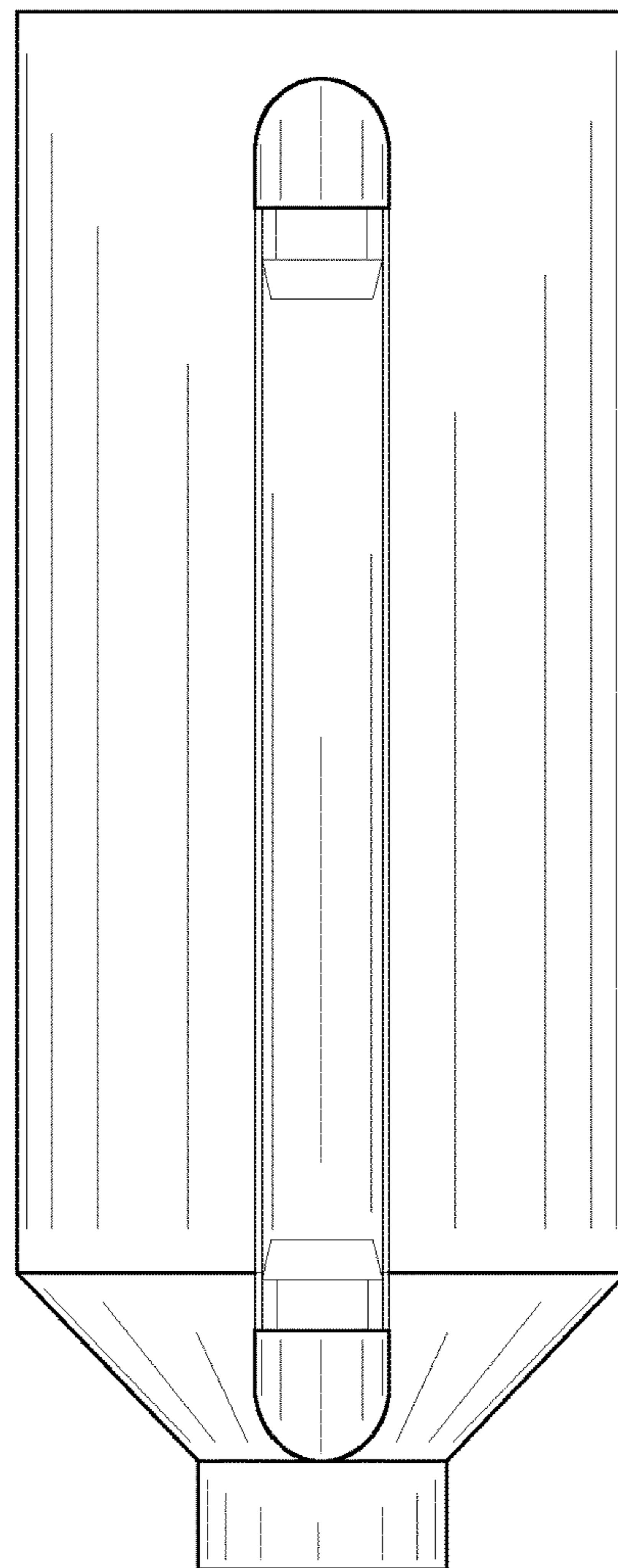


FIG. 6

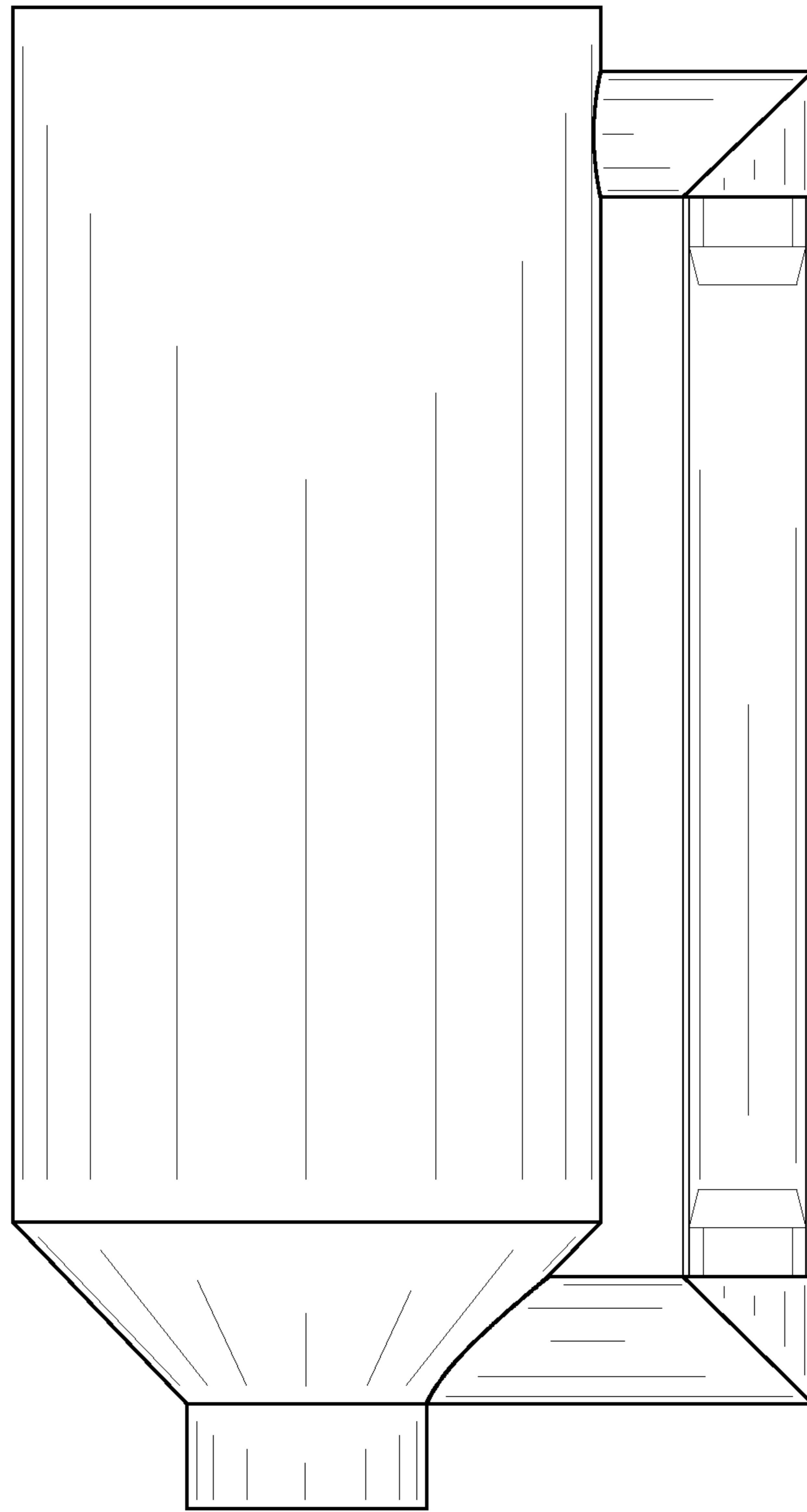


FIG. 7