



US00D826639S

(12) **United States Design Patent**
Boozer et al.

(10) **Patent No.:** **US D826,639 S**

(45) **Date of Patent:** **** Aug. 28, 2018**

(54) **SHROUD FOR A BLENDING CONTAINER**

13/1835; B28C 5/10; B28C 5/12; B28C
5/14; B28C 5/16; B65D 1/265; B65D
3/10

(71) Applicant: **VITA-MIX MANAGEMENT
CORPORATION**, Olmsted Township,
OH (US)

See application file for complete search history.

(72) Inventors: **Richard Boozer**, Wakeman, OH (US);
Jack Gee, Willoughby, OH (US);
James Bascom, Brecksville, OH (US);
Joseph M. Paul, Thomaston, CT (US)

(56) **References Cited**

U.S. PATENT DOCUMENTS

957,267 A * 5/1910 Sowell B65D 3/10
229/4.5
D204,783 S * 5/1966 Johnson 229/400
(Continued)

(73) Assignee: **VITA-MIX MANAGEMENT
CORPORATION**, Olmsted Township,
OH (US)

FOREIGN PATENT DOCUMENTS

WO 03075726 9/2003

(**) Term: **15 Years**

OTHER PUBLICATIONS

(21) Appl. No.: **29/624,980**

Blendtec Q-Series Sound Reduction Blender—15 AMPS—Com-
mercial Kitchen & Bar. URL: <http://www.ebay.com/itm/Blendtec-Q-Series-Sound-Reduction-Blender-15-Amps-Commercial-Kitchen-Bar-/300777143326>. Date of access: Feb. 5, 2015.

(22) Filed: **Nov. 6, 2017**

Related U.S. Application Data

(62) Division of application No. 29/565,616, filed on May
23, 2016, now Pat. No. Des. 801,750.

Primary Examiner — Ricky Pham

(51) **LOC (11) Cl.** **31-00**

(74) *Attorney, Agent, or Firm* — McDonald Hopkins LLC

(52) **U.S. Cl.**
USPC **D7/413**; D7/376; D7/378; D7/386;
D7/412

(57) **CLAIM**

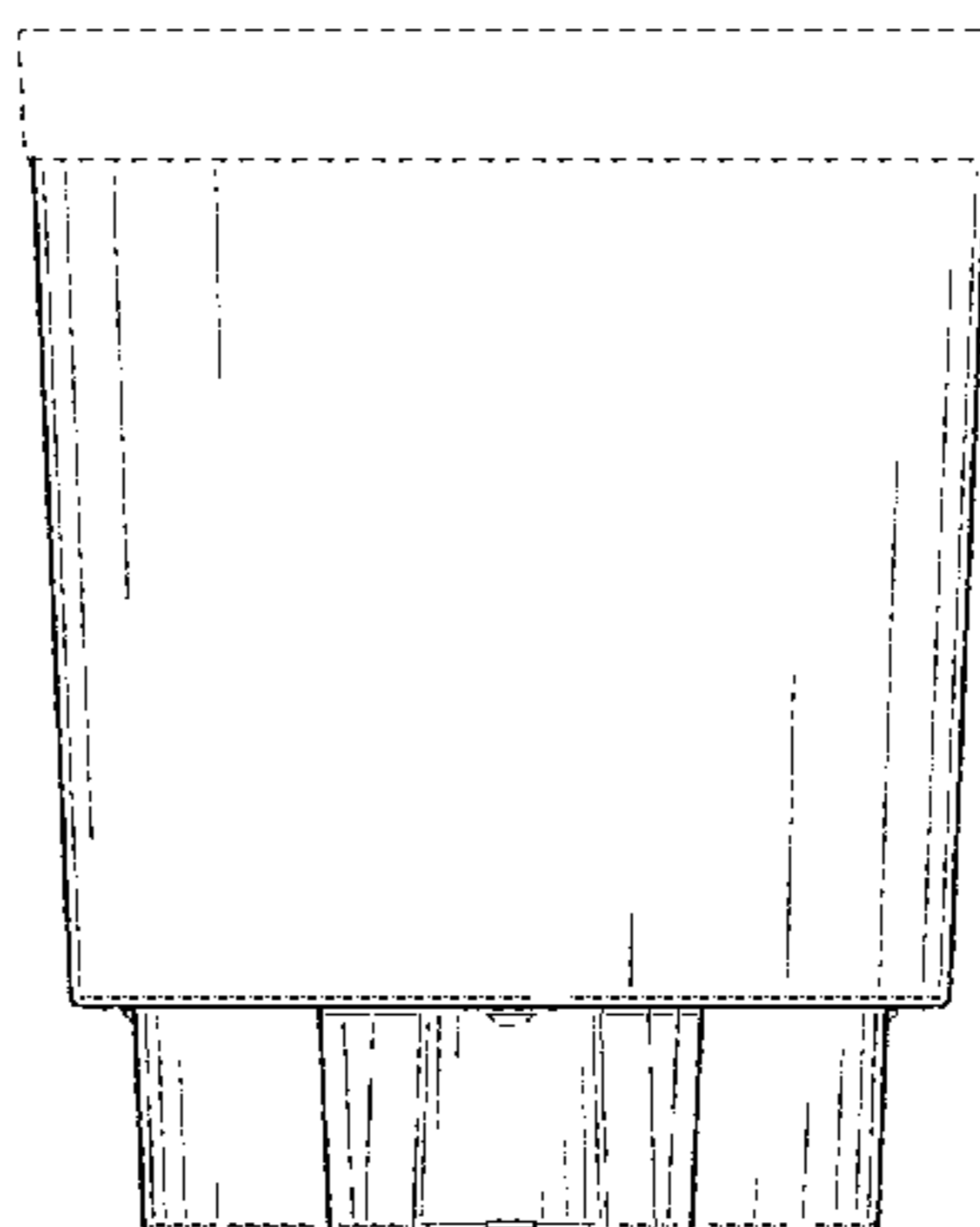
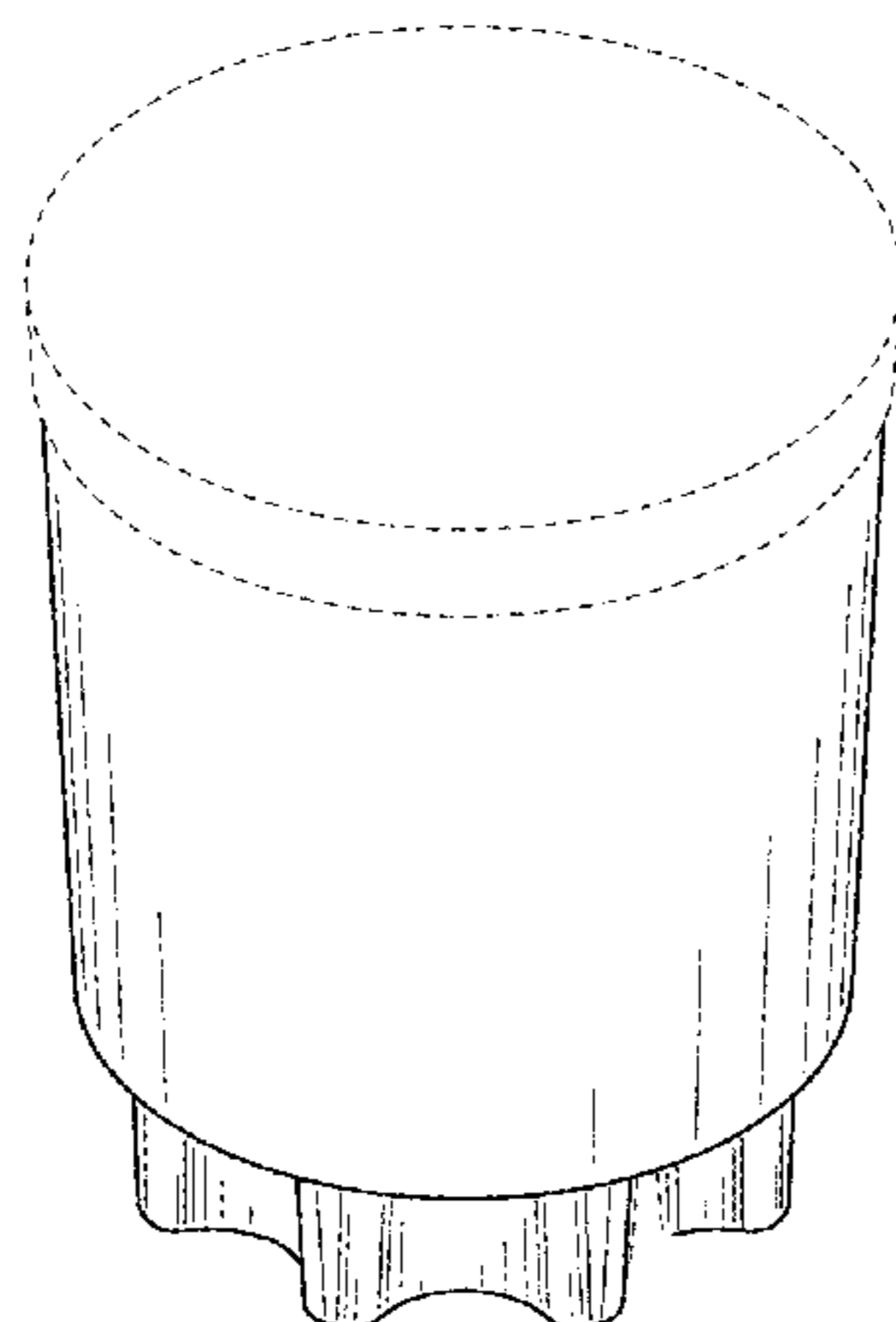
(58) **Field of Classification Search**
USPC D7/372, 376–386, 396.1, 412–413, 531,
D7/602, 629, 665–666, 669, 679,
D7/693–694; D9/428–429
CPC A21C 1/02; A21C 1/04; A23N 1/00; A23N
1/02; A47J 43/04; A47J 43/25; A47J
43/27; A47J 43/042; A47J 43/044; A47J
43/046; A47J 43/06; A47J 43/075; A47J
43/0722; A47J 43/0727; A47J 43/0777;
B01F 3/00; B01F 3/0807; B01F 3/0853;
B01F 13/0059; B01F 13/0064; B02C
1/08; B02C 2/04; B02C 4/42; B02C
4/142; B02C 4/143; B02C 4/423; B02C

The ornamental design for a shroud for a blending container,
as shown and described.

DESCRIPTION

FIG. 1 is a perspective view of a shroud for a blending
container showing our new design;
FIG. 2 is a front view thereof;
FIG. 3 is a rear view thereof;
FIG. 4 is a top view thereof;
FIG. 5 is a bottom view thereof; and,
FIG. 6 is a bottom perspective view thereof.

(Continued)



The broken lines in the figures are included for the purpose of illustrating portions of a shroud for a blending container or its environment and form no part of the claimed design.

1 Claim, 4 Drawing Sheets

(56)

References Cited

U.S. PATENT DOCUMENTS

3,934,725 A * 1/1976 Edwards B65D 1/265
206/519
4,087,053 A 5/1978 Voglesonger
D286,725 S * 11/1986 Zieff D7/531
D362,368 S * 9/1995 Willbrandt D7/511
D381,558 S * 7/1997 Schaefer D7/523
D406,154 S 2/1999 Copland et al.
D473,788 S * 4/2003 Chen D9/425
6,609,821 B2 8/2003 Wulf et al.
6,910,800 B2 6/2005 Wu

7,309,156 B2 12/2007 McGill
7,404,527 B2 7/2008 Katz et al.
D574,191 S * 8/2008 Ablo D7/509
7,600,706 B2 10/2009 Huang
7,866,879 B2 1/2011 Moschetti
D631,693 S * 2/2011 Giraud D7/396.1
D632,133 S 2/2011 Giraud et al.
D638,290 S * 5/2011 Cimmerer D9/429
7,938,574 B2 5/2011 McGill
8,087,603 B2 1/2012 Kolar et al.
8,226,021 B2 7/2012 Wilson
8,770,431 B1 7/2014 Glaser et al.
9,283,528 B2 3/2016 Thai
D767,333 S 9/2016 Picozza et al.
D767,938 S 10/2016 Picozza et al.
D801,750 S * 11/2017 Boozer D7/413
D808,726 S * 1/2018 Li D7/531
2008/0037360 A1 * 2/2008 McGill A47J 43/06
366/130
2013/0043337 A1 2/2013 Rukavina et al.
2014/0247686 A1 9/2014 Arnett et al.

* cited by examiner

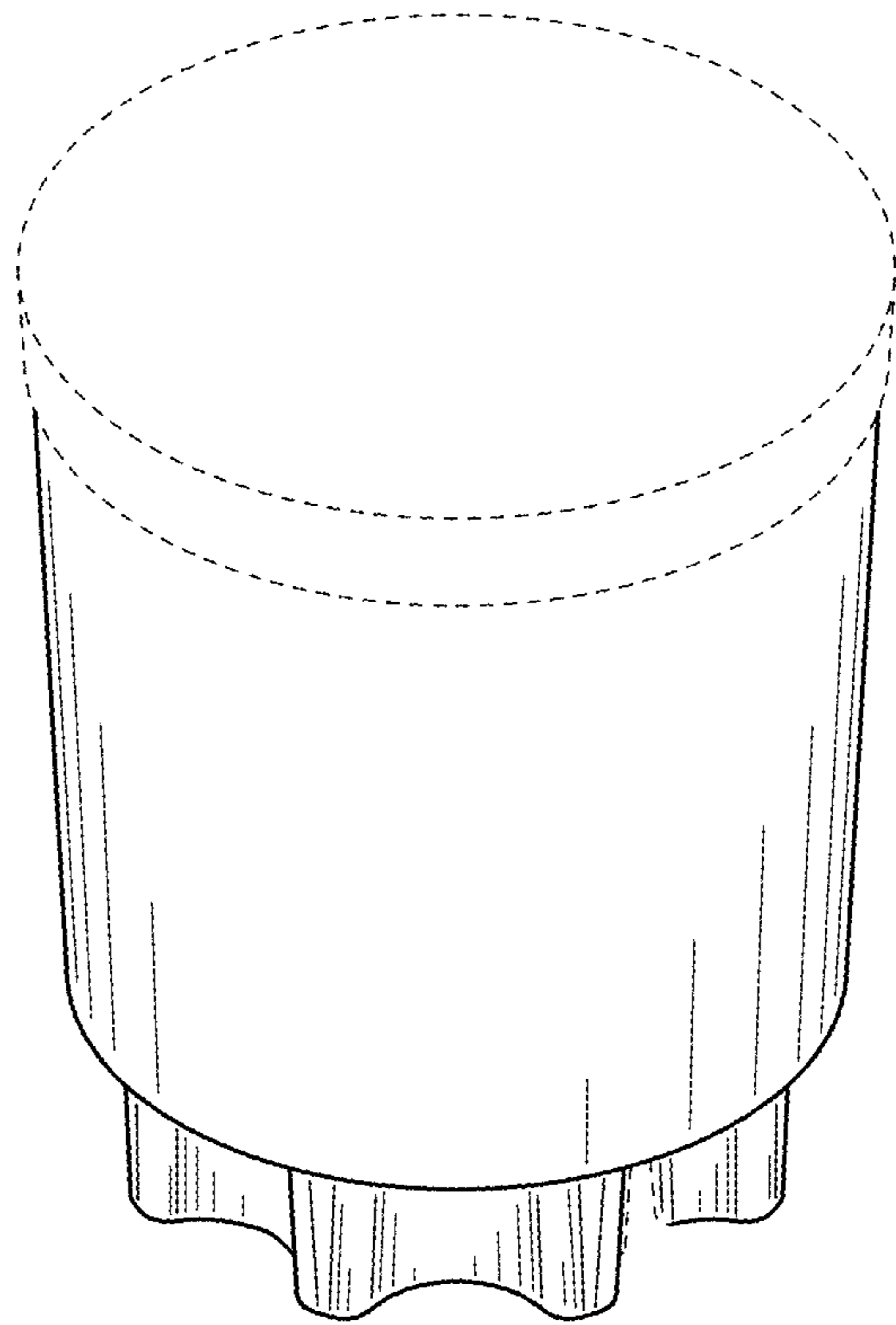


FIG. 1

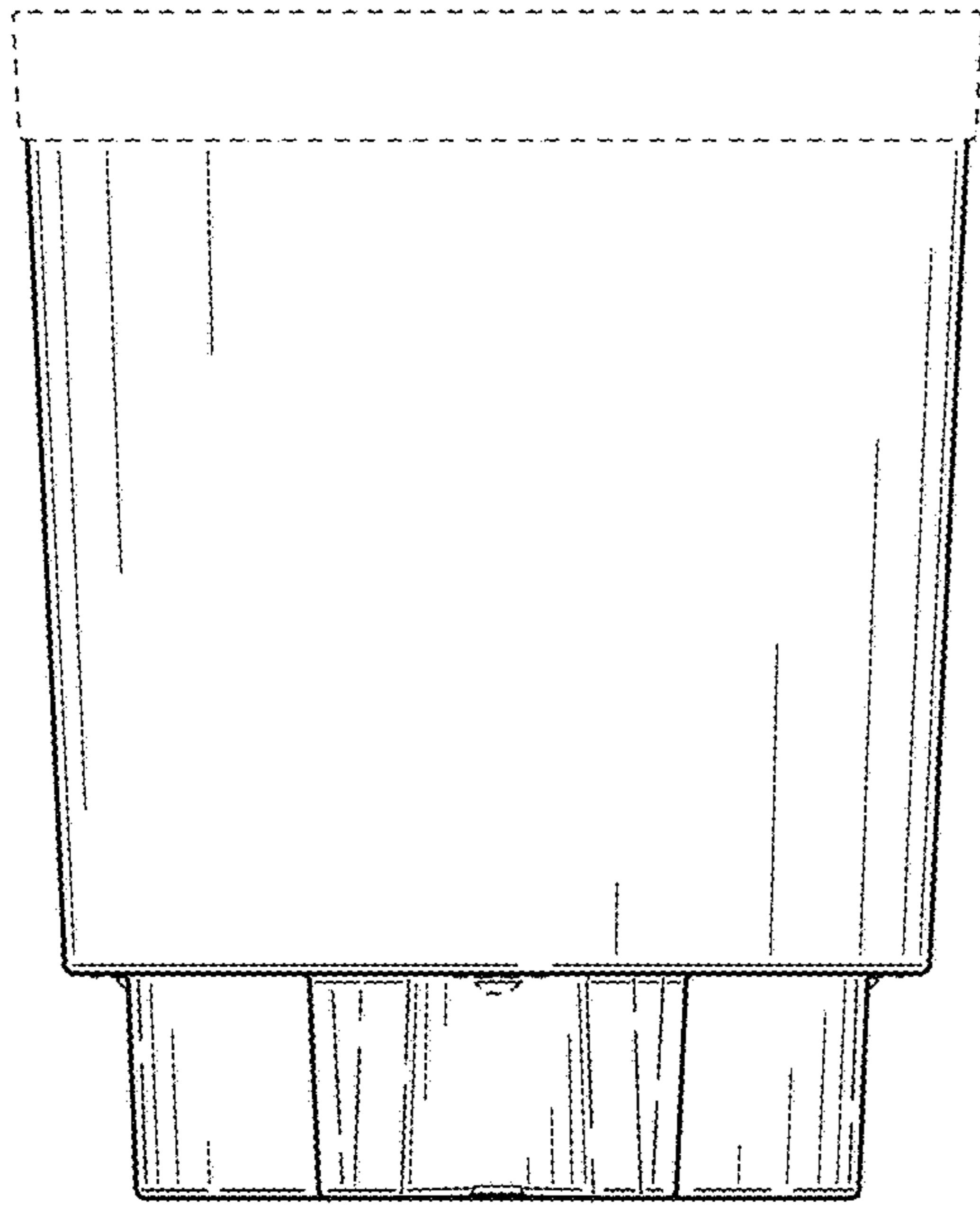


FIG. 2

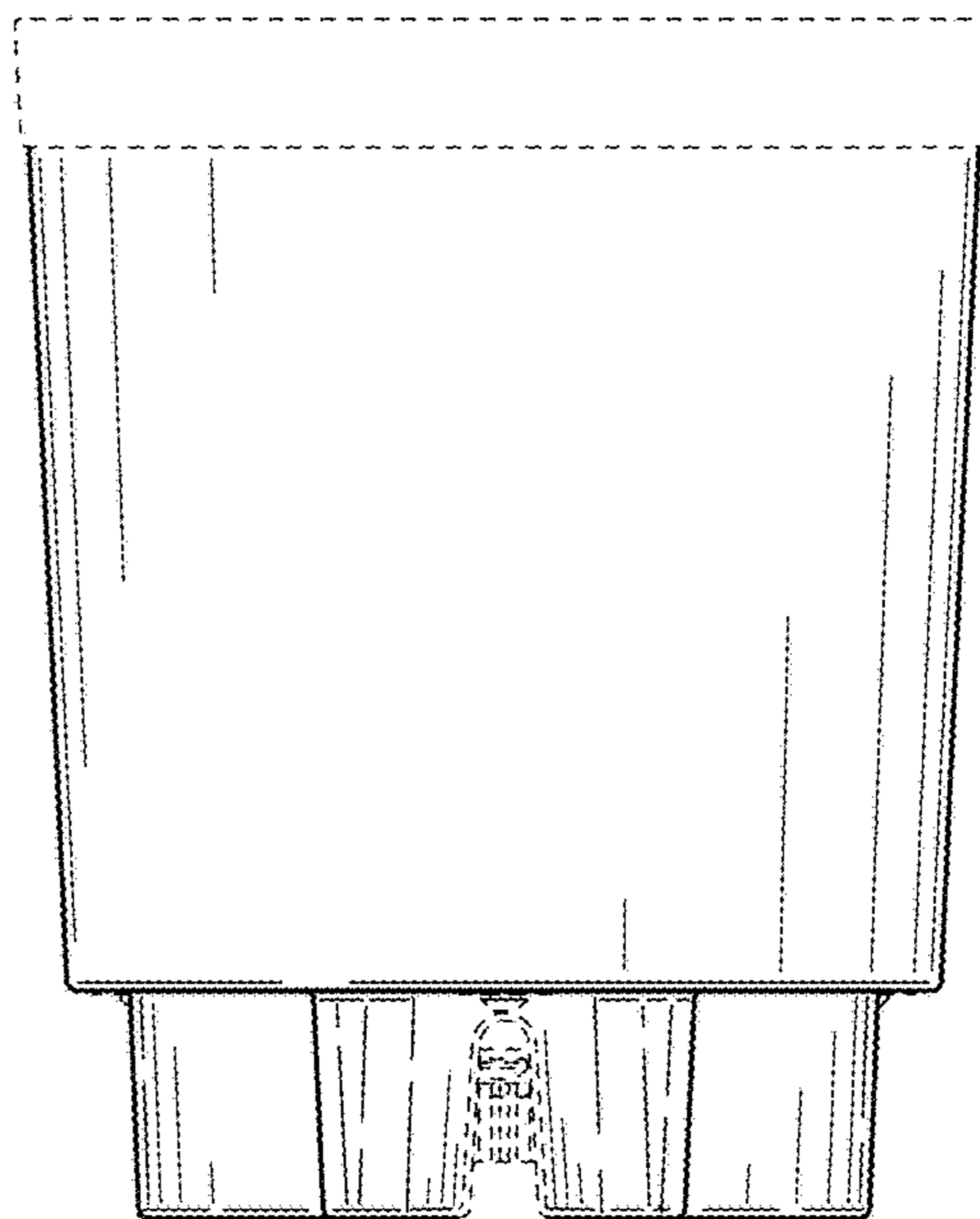


FIG. 3

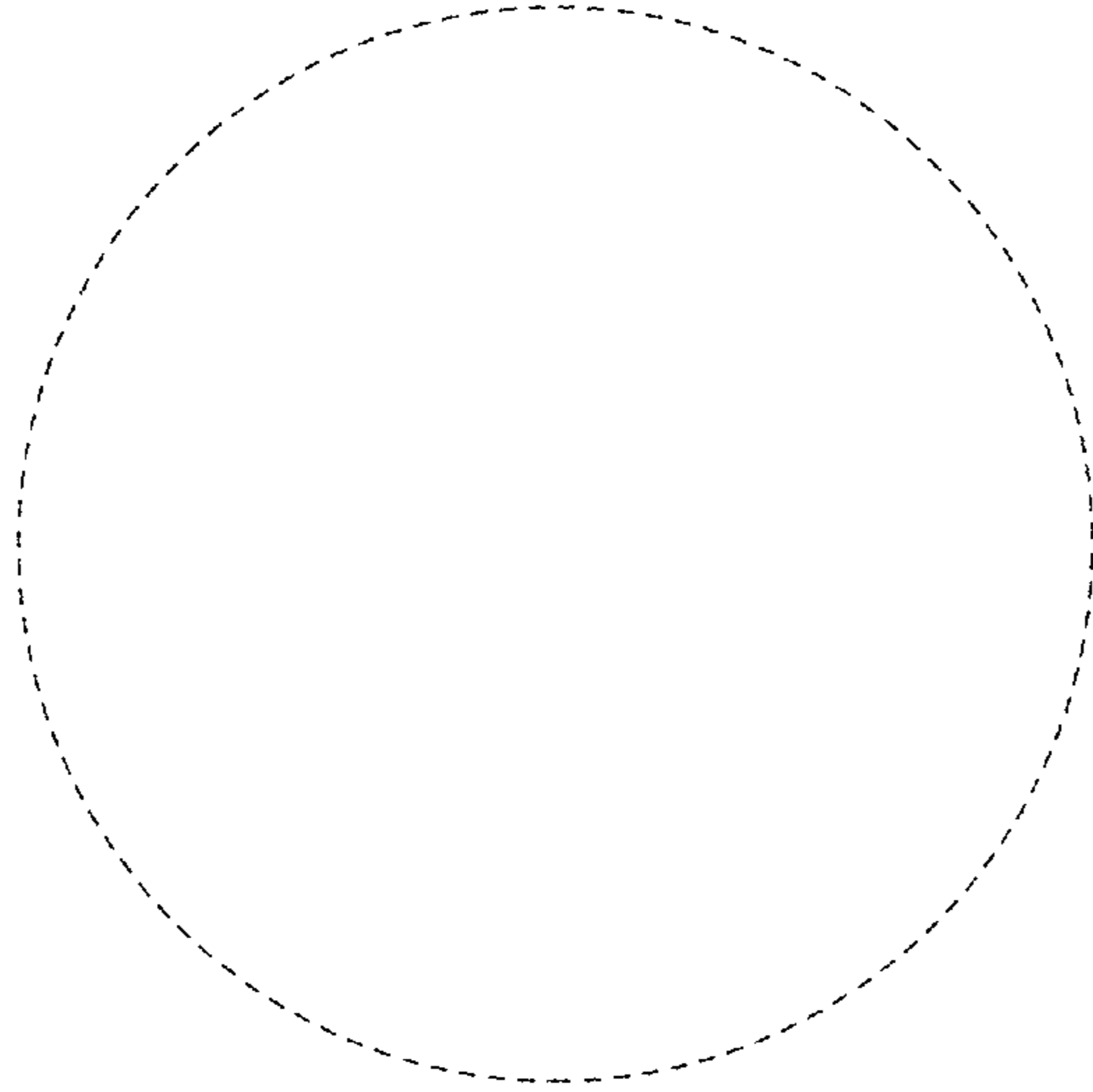


FIG. 4

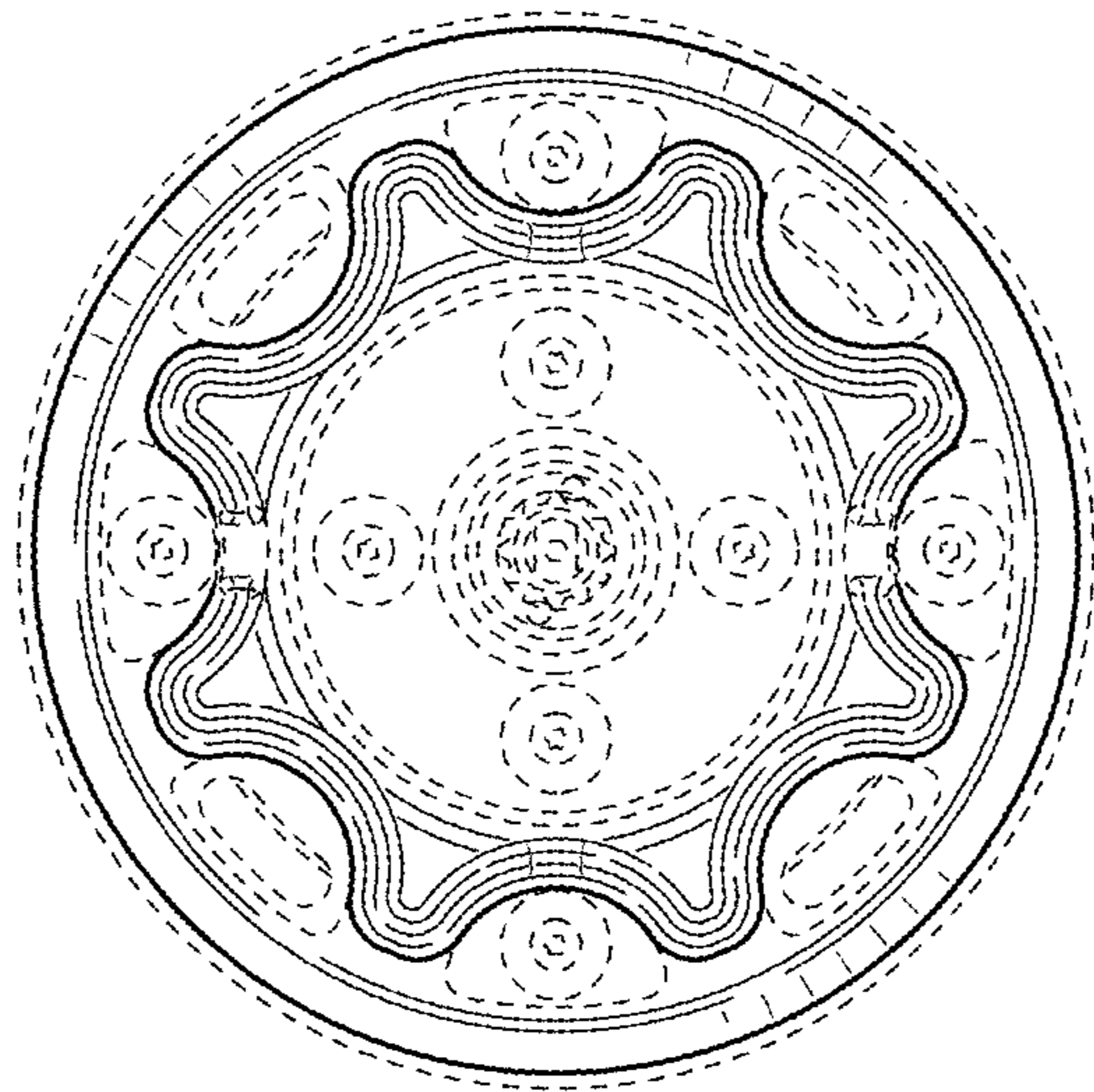


FIG. 5

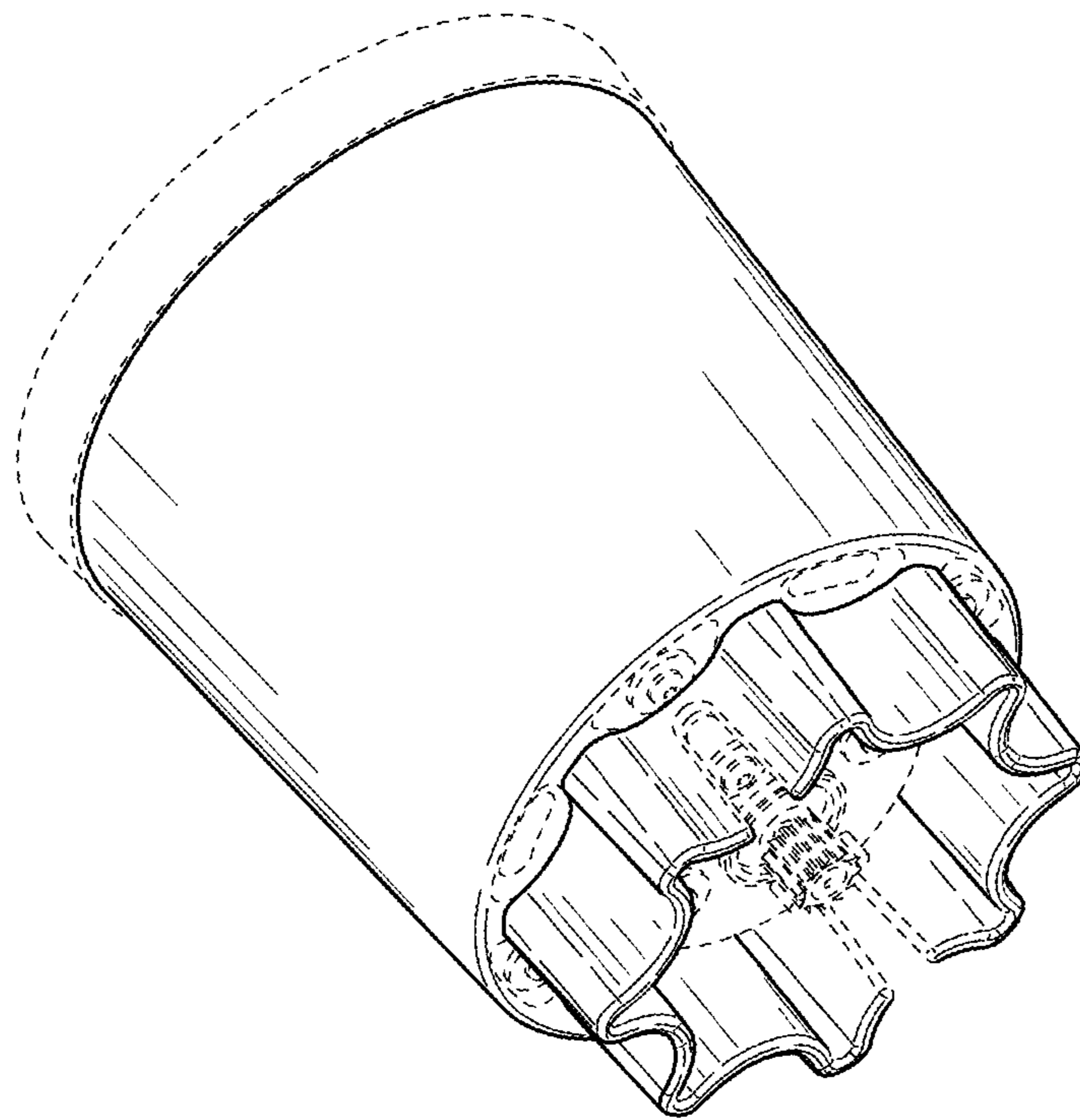


FIG. 6