



US00D826637S

(12) **United States Design Patent** (10) **Patent No.:** **US D826,637 S**
Thurlow (45) **Date of Patent:** **** Aug. 28, 2018**

(54) **GRIDDLE** 3,602,691 A * 8/1971 Frazier A47J 47/14
126/262
(71) Applicant: **Lentrade, Inc.**, Houston, TX (US) D379,135 S * 5/1997 Vina D7/543
D380,347 S * 7/1997 Norton D7/409
(72) Inventor: **Heida L. Thurlow**, Houston, TX (US) D395,548 S * 6/1998 Morissette D3/304
D436,495 S * 1/2001 Ferrer D7/360
(73) Assignee: **Lentrade, Inc.**, Houston, TX (US) D471,398 S * 3/2003 Swinford D7/360
D472,423 S * 4/2003 Swinford D7/359
D508,818 S * 8/2005 Hawkins D7/360
(**) Term: **15 Years** D648,175 S * 11/2011 Zemel D7/354
D754,467 S * 4/2016 Misner D7/352
(21) Appl. No.: **29/616,328** D784,077 S * 4/2017 Zemel D7/354

* cited by examiner

(22) Filed: **Sep. 5, 2017**
(51) **LOC (11) Cl.** **07-02**
(52) **U.S. Cl.**
USPC **D7/409**; D7/354; D7/360

Primary Examiner — Ricky Pham
(74) *Attorney, Agent, or Firm* — Patrick K. Steele

(58) **Field of Classification Search**
USPC D3/307; D7/323, 332, 335–337,
D7/354–355, 359–364, 387–388, 402,
D7/407–409, 552.1
CPC A21B 2/00; A21B 3/00; A21B 3/13; A21B
3/15; A21B 5/00; A21B 5/02; A23N
12/06; A23N 12/08; A23N 12/10; A47J
37/00; A47J 37/04; A47J 37/041; A47J
37/042; A47J 37/06; A47J 37/0688; A47J
37/0694; A47J 37/07; A47J 37/0704;
A47J 37/10; A47J 47/14; A47J 47/20;
A47J 2037/00; A47J 2037/06; A47J
2037/0611; A47J 2037/07; A47J
2037/0786; A47J 2037/0795; B65D
25/32; F24C 15/10; F24C 15/12; F24C
15/14; F24C 15/16; F24C 15/164; F24C
15/18

(57) **CLAIM**

The ornamental design for a griddle, as shown and described.

See application file for complete search history.

DESCRIPTION

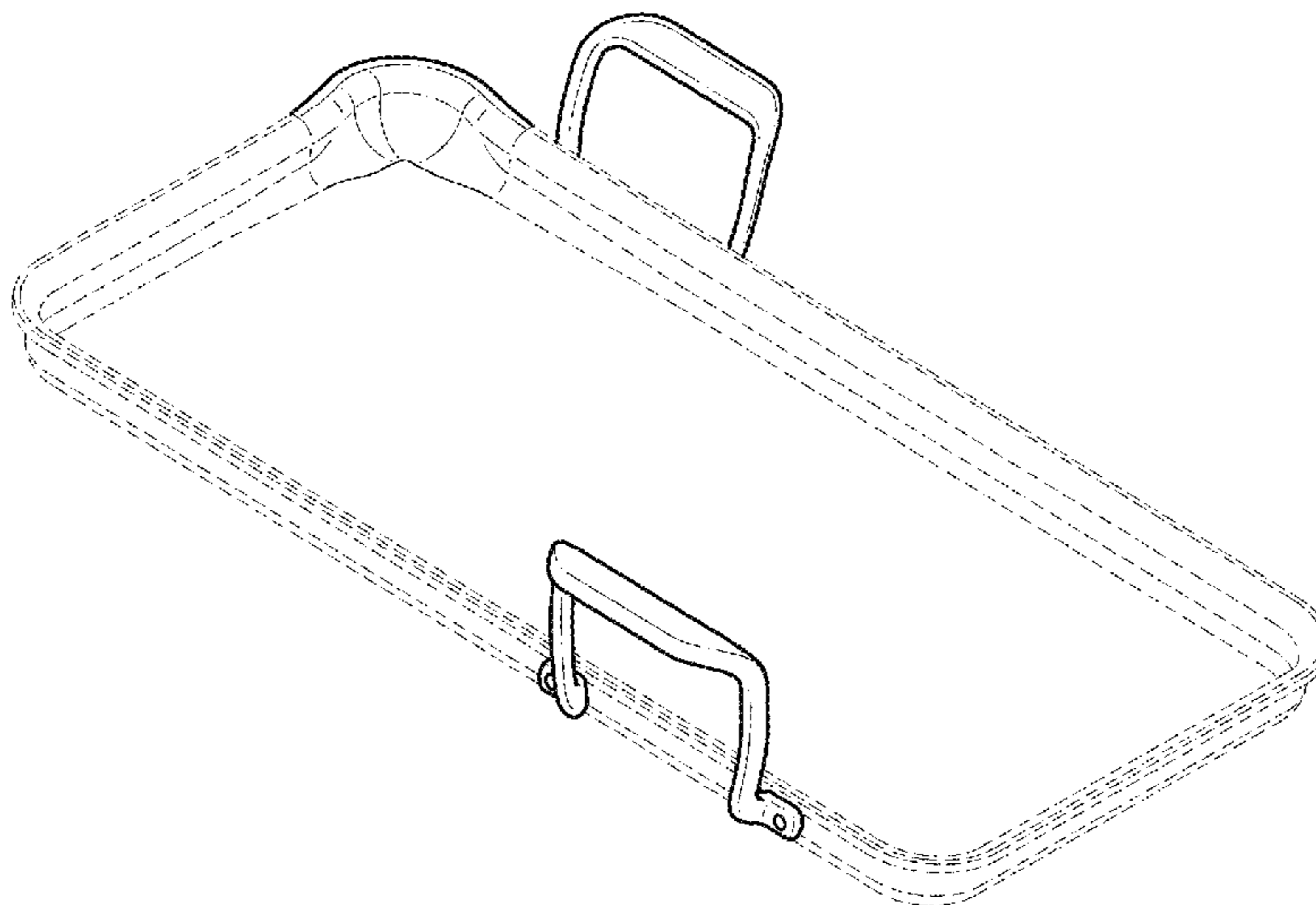
FIG. 1 is a perspective view of a griddle showing my new design with a corner pooling area of the griddle at the far corner in the view;
FIG. 2 is perspective view of a griddle showing my new design with a corner pooling area of the griddle at the near corner in the view;
FIG. 3 is a top plan view thereof;
FIG. 4 is a left side view thereof;
FIG. 5 is a bottom plan view thereof;
FIG. 6 is a right side view thereof;
FIG. 7 is a front view thereof; and,
FIG. 8 is a rear view thereof.

(56) **References Cited**
U.S. PATENT DOCUMENTS

162,617 A * 4/1875 Brightman B65D 25/32
16/445
1,204,429 A * 11/1916 Griswold A47J 37/10
99/425

The broken lines in the drawings depict environmental subject matter only and form no part of the claimed design.

1 Claim, 4 Drawing Sheets



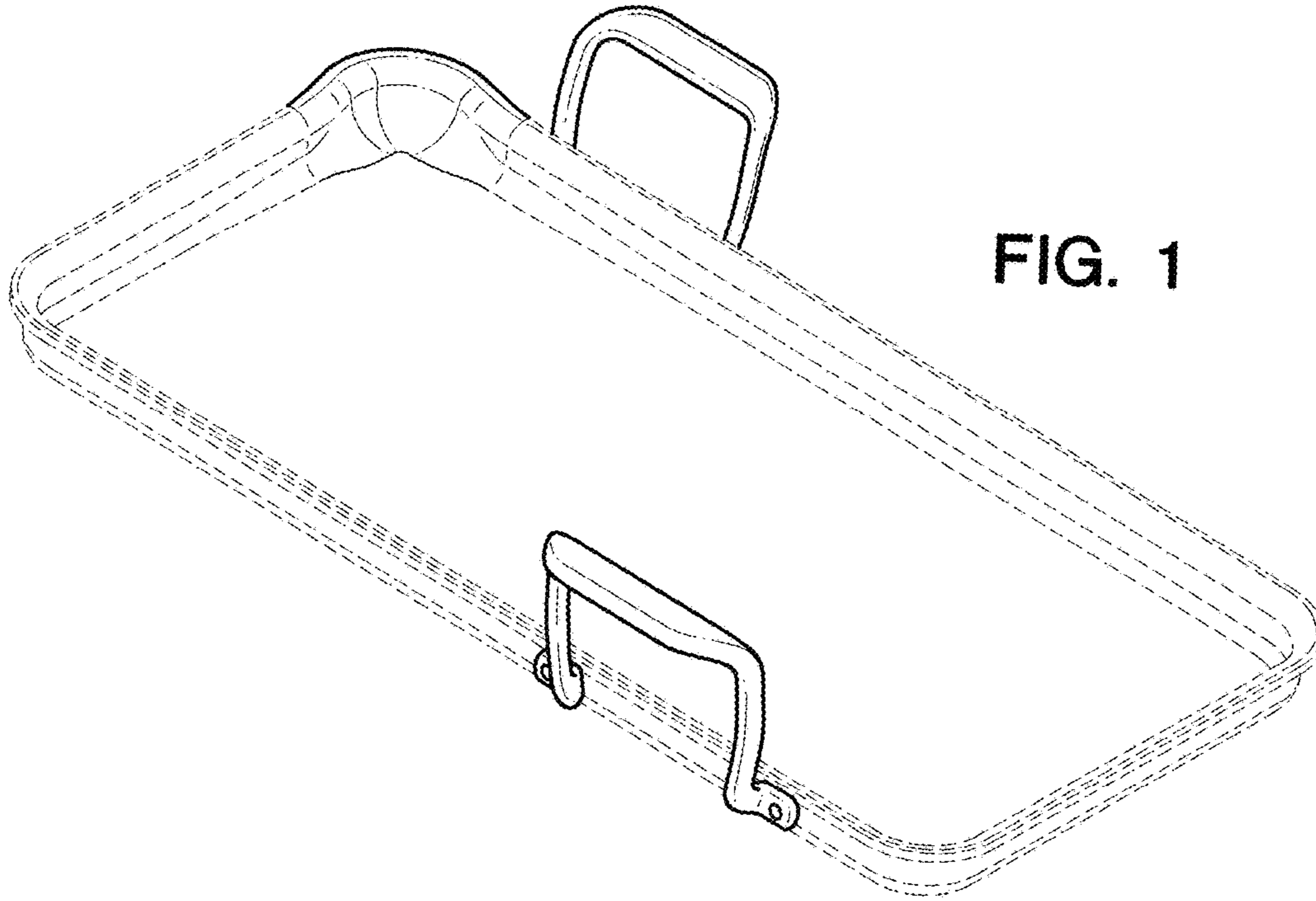


FIG. 1

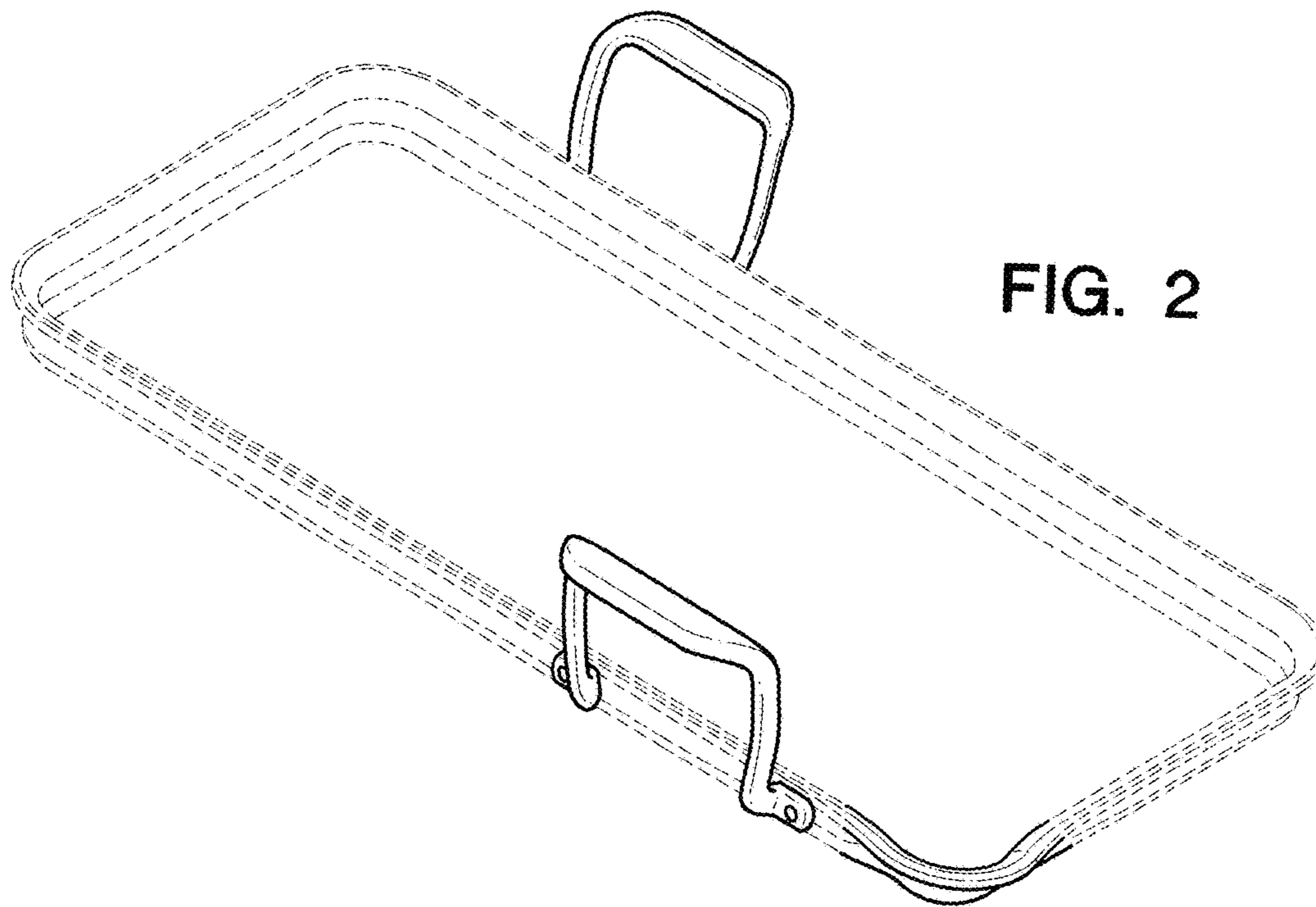


FIG. 2

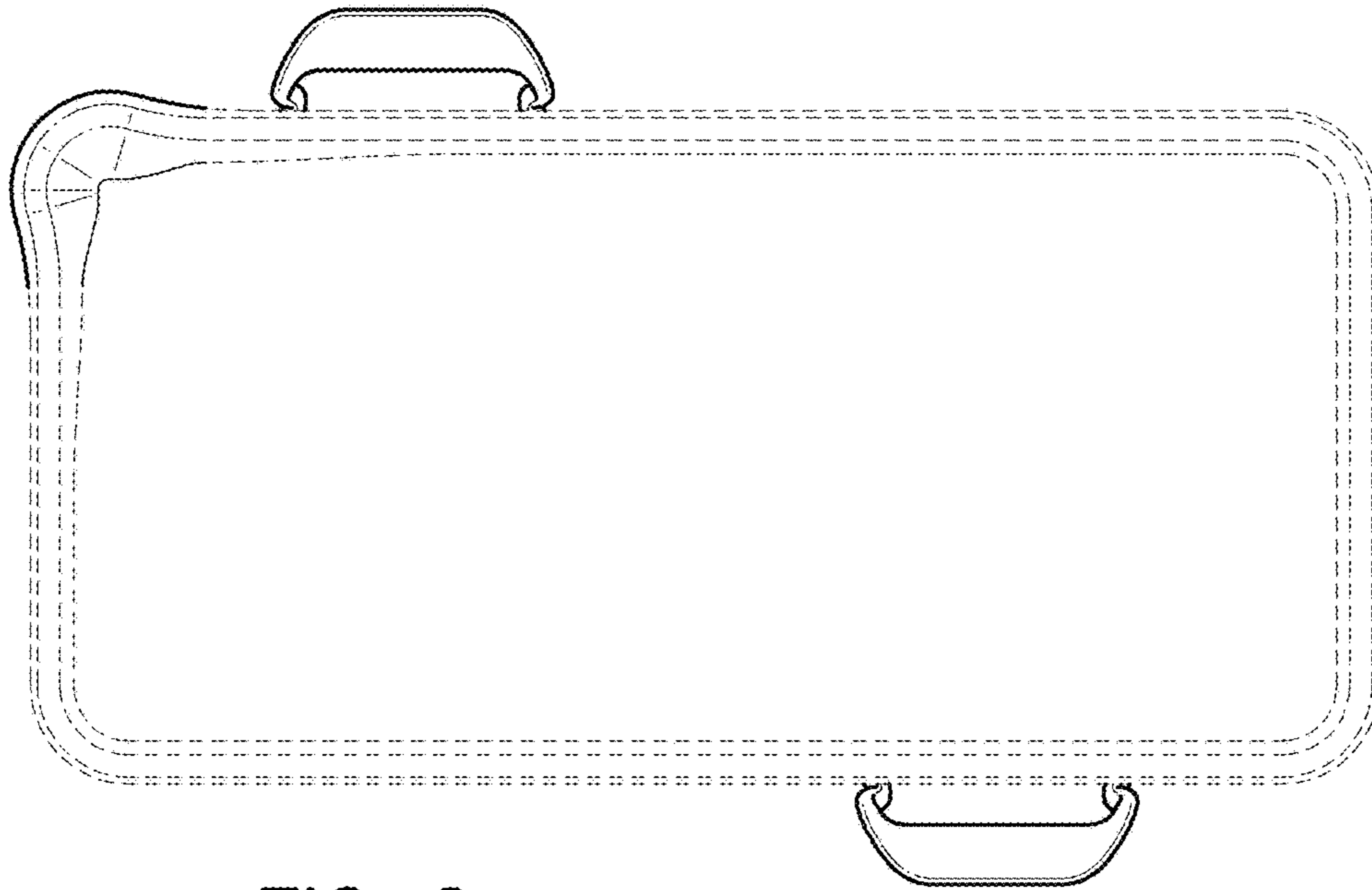


FIG. 3

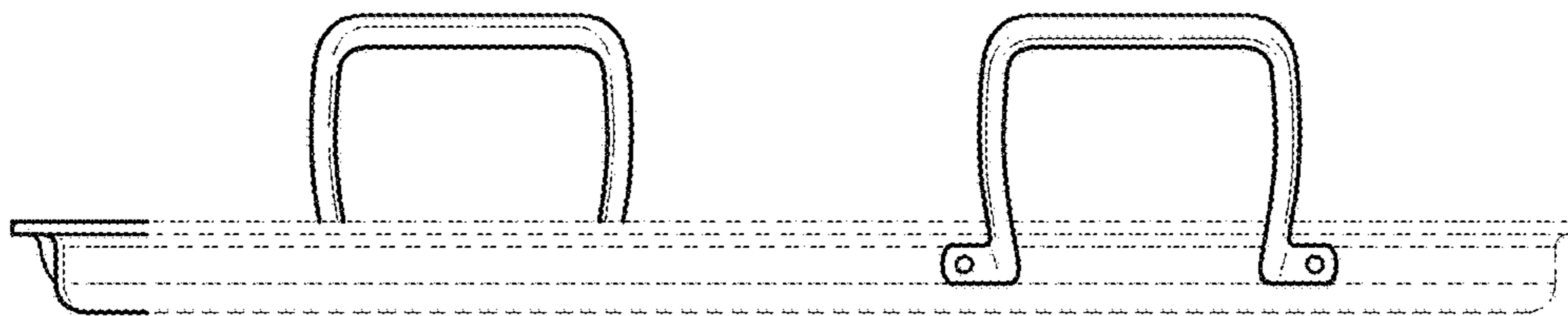


FIG. 4

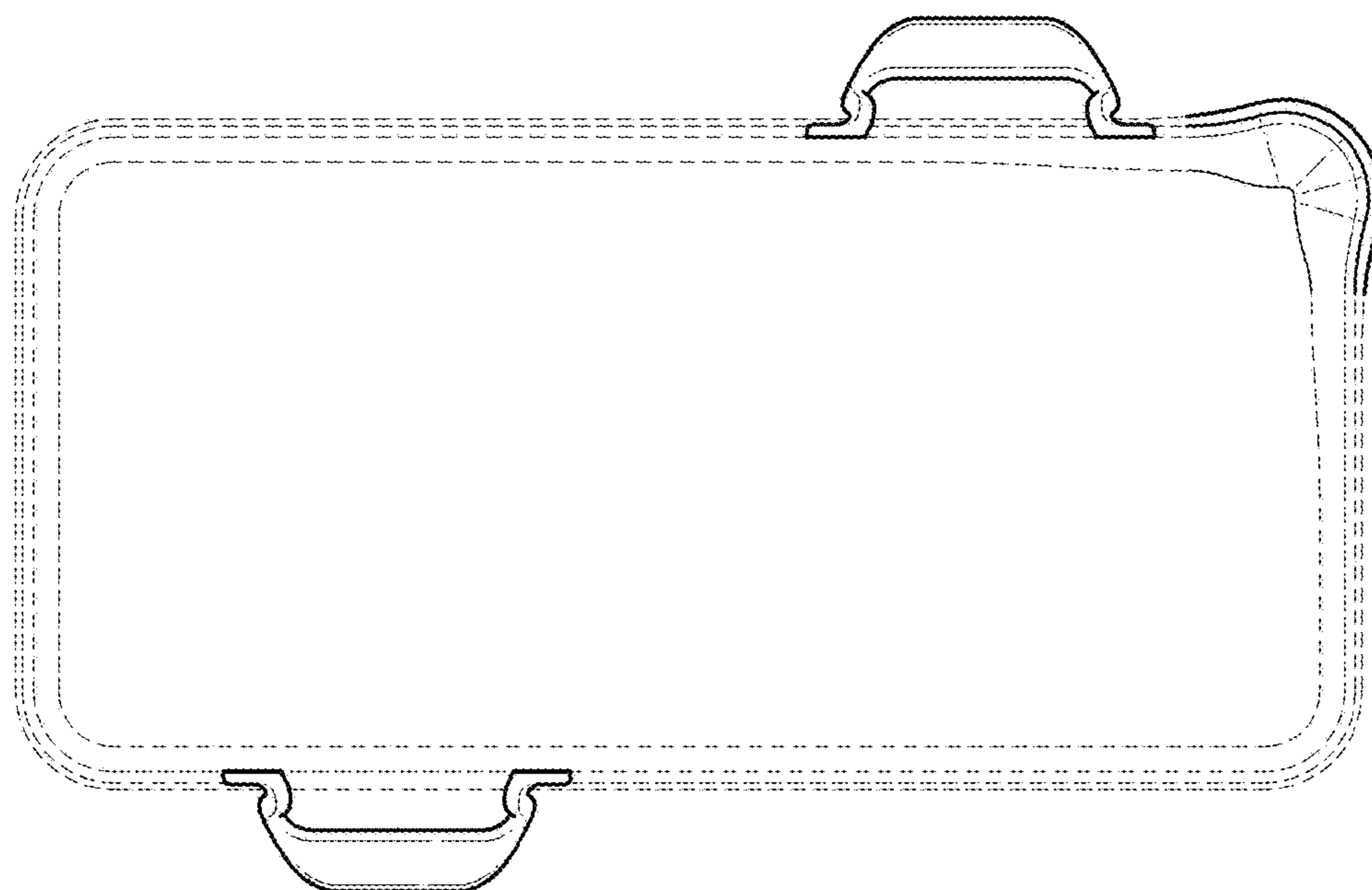


FIG. 5

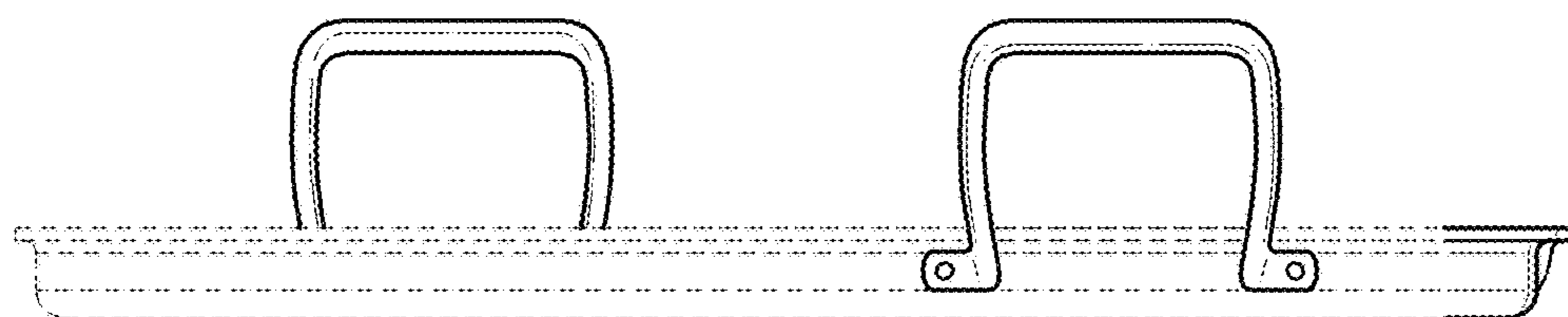


FIG. 6

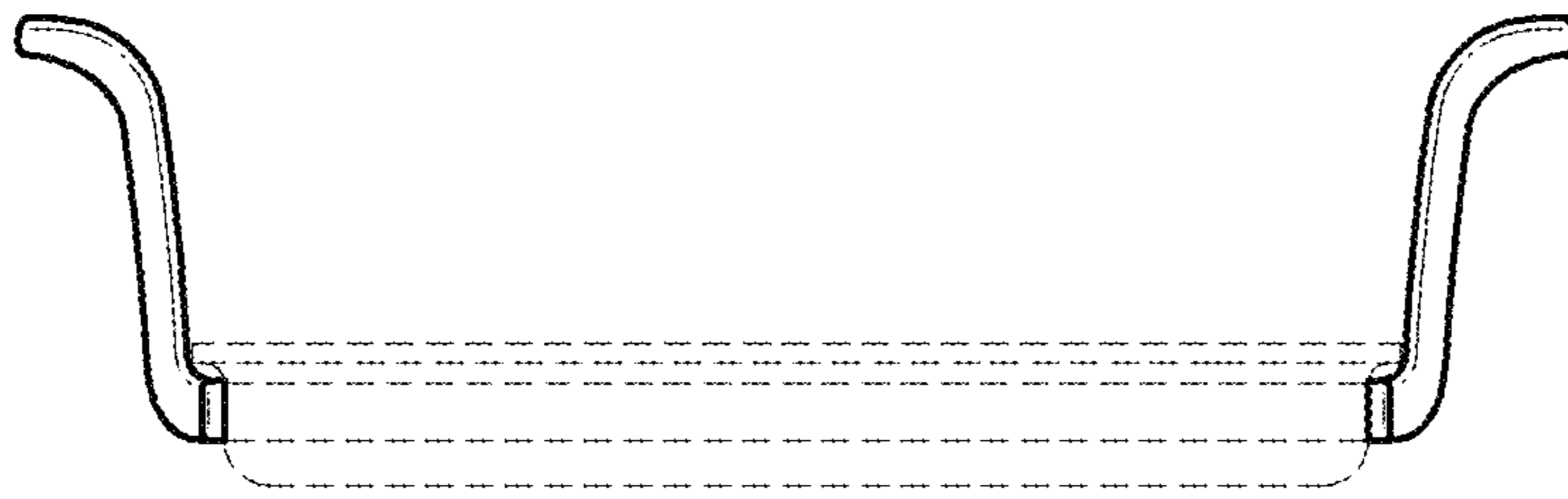


FIG. 7

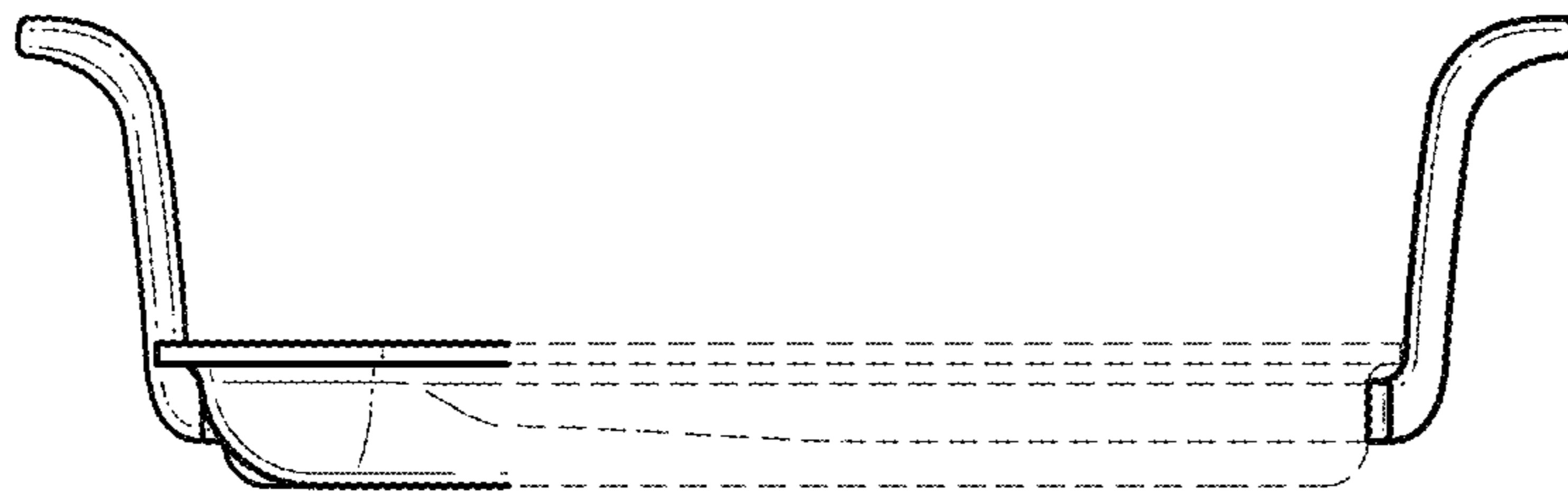


FIG. 8