



US00D826633S

(12) **United States Design Patent** (10) **Patent No.:** **US D826,633 S**
Forliti et al. (45) **Date of Patent:** **** Aug. 28, 2018**

(54) **HALLOWEEN THEMED SERVEWARE**

(71) Applicant: **TARGET BRANDS, INC.**,
Minneapolis, MN (US)
(72) Inventors: **Glorie Forliti**, Eagan, MN (US); **Anna Bofinger**, Shoreview, MN (US)
(73) Assignee: **TARGET BRANDS, INC.**,
Minneapolis, MN (US)

(**) Term: **15 Years**

(21) Appl. No.: **29/574,524**

(22) Filed: **Aug. 16, 2016**

(51) **LOC (11) Cl.** **07-99**

(52) **U.S. Cl.**
USPC **D7/396.6; D7/573; D7/578; D7/559**

(58) **Field of Classification Search**
USPC D7/397, 396.6, 538, 539, 558, 559, 307,
D7/392.2, 301, 302, 303, 391, 392, 392.1,
D7/387, 573, 578; D9/451, 439, 441,
D9/440, 448, 454; 220/574
CPC A23G 9/225
See application file for complete search history.

(56) **References Cited**

U.S. PATENT DOCUMENTS

D53,935 S *	10/1919	Reaper	D7/557
D57,457 S	3/1921	Ward		
D57,952 S	5/1921	Travis		
D72,064 S *	2/1927	Heisey	D7/558
1,626,544 A	4/1927	Lorant		
D76,999 S *	11/1928	Goddard	D7/539
D85,080 S *	9/1931	Becker	D7/559
D144,856 S *	5/1946	Jack	D7/559
D213,716 S *	4/1969	Soloman	D7/613
D224,414 S *	7/1972	Kaelke	D11/154
D249,770 S *	10/1978	Benes	D26/20
D266,135 S *	9/1982	Husted	D7/391
D281,136 S	10/1985	Wei		

(Continued)

OTHER PUBLICATIONS

“Antique Acorn Globe Pole Light”, printed from www.lightbulbsurplus.com/index.php?main_page=product_info&products_id=1789&gclid=CIXI6K7rhM0CFZSEaQodxFcEiA, publicly available at least as early as May 31, 2016 (2 pages).

(Continued)

Primary Examiner — Marianne Pandozzi
(74) *Attorney, Agent, or Firm* — JoAnn M. Seaton;
Griffiths & Seaton PLLC

(57) **CLAIM**

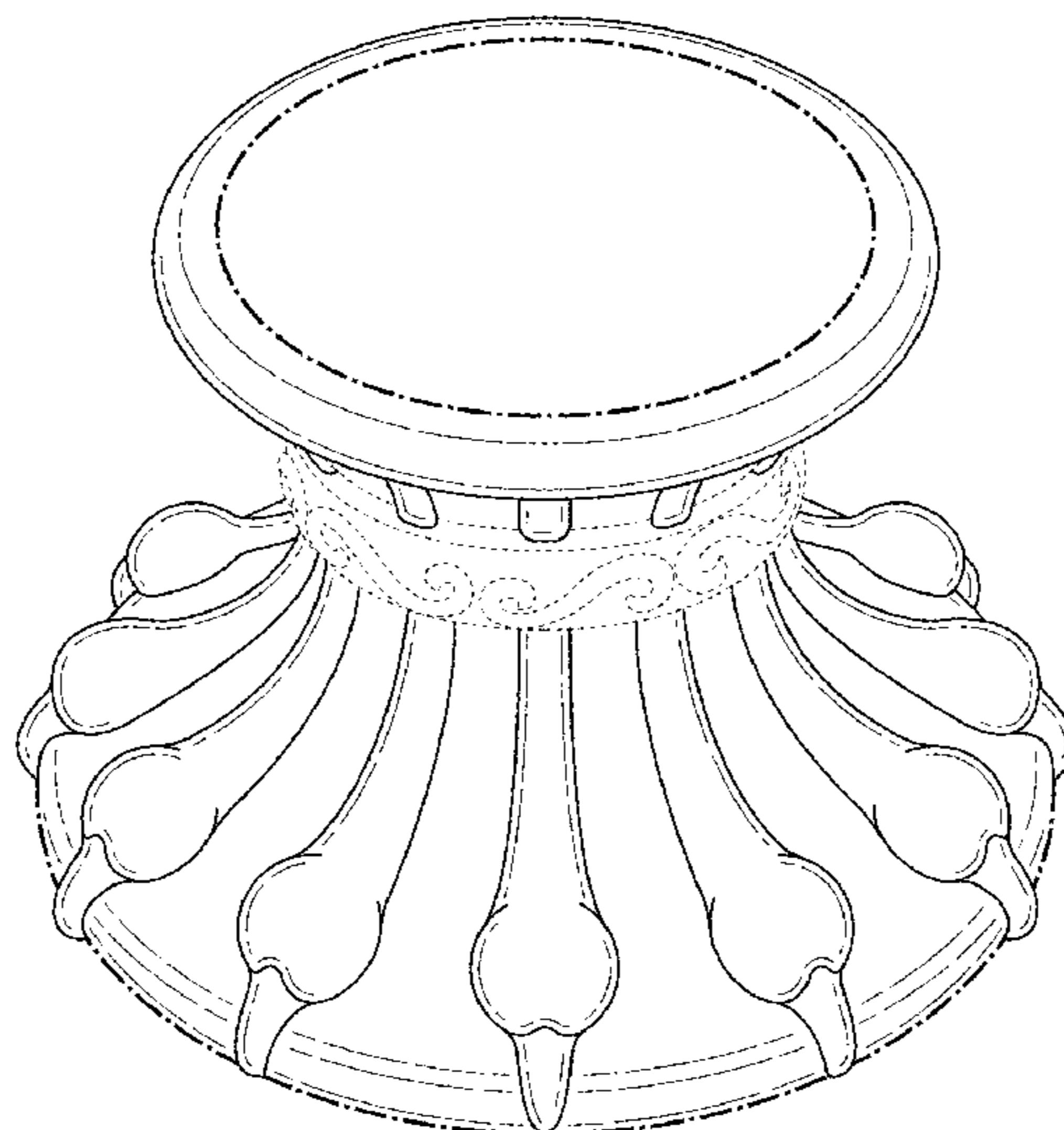
The ornamental design for Halloween themed serveware, as shown and described.

DESCRIPTION

FIG. 1 is a top front perspective view of Halloween themed serveware showing our new design; FIG. 2 is a front view thereof; FIG. 3 is a rear view thereof; FIG. 4 is a right side view thereof; FIG. 5 is a left side view thereof; FIG. 6 is a top view thereof; and FIG. 7 is a bottom view thereof. FIG. 8 is a top and front perspective view of the Halloween themed serveware of FIG. 1 shown with additional unclaimed subject matter; FIG. 9 is a front view thereof; FIG. 10 is a rear view thereof; FIG. 11 is a right side view thereof; FIG. 12 is a left side view thereof; FIG. 13 is a top view thereof; and, FIG. 14 is a bottom view thereof.

In the drawings, the broken lines depict unclaimed subject matter only and form no part of the claimed design. The features shown in long dash-short dash bolded broken lines indicate the bounds of the claimed design and otherwise form no part of the claimed design.

1 Claim, 14 Drawing Sheets



(56)

References Cited

U.S. PATENT DOCUMENTS

5,232,129	A	8/1993	Guerra	
6,158,626	A	12/2000	Guerra et al.	
D538,097	S	3/2007	Godinger	
D543,768	S	6/2007	Ford	
D589,298	S *	3/2009	Zollweg	D7/558
D595,146	S *	6/2009	Ivey	D9/451
D626,378	S *	11/2010	Gonzalez	D7/516
D626,786	S *	11/2010	Gonzalez	D7/516
D646,168	S	10/2011	Jansen	
D668,497	S	10/2012	Hixon	
D677,100	S	3/2013	Amundson	
D677,967	S	3/2013	Godinger	
D703,990	S	5/2014	Henderson	
D714,159	S *	9/2014	Fallon	D9/626
D736,560	S *	8/2015	Dexter	D7/392.1
D738,680	S *	9/2015	Renforth	D30/129
D774,390	S *	12/2016	Ouyang	D9/441
D794,991	S *	8/2017	Vazin	D7/301

OTHER PUBLICATIONS

“Autumnish Homeware Haul”, printed from www.natskilou.com/search?q=halloween+haul, posted on Oct. 4, 2015 (15 pages).
 “HalloWatch: Skeleton Drink Dispenser (Real Canadian Superstore)”, printed from www.strangekidsclub.com/2013/09/18/hallowatch-skeleton-drink-dispenser-real-canadian-superstore/, posted on Sep. 18, 2013 (3 pages).

“Pottery Barn Halloween 2014 Dragon Drink Dispenser”, depicting beverage dispenser from Pottery Barn, printed from <https://theyearofhalloween.com/2014/07/14/its-beginning-to-look-a-lot...halloween-in-july/pottery-barn-halloween-2014-dragon-drink-dispenser/>, posted on Jul. 14, 2014 (2 pages).

“Pottery Barn Has Their Halloween Merchandise Online”, depicting beverage dispenser from Pottery Barn, printed from www.halloweenforum.com/general-halloween/105630-pottery-barn-has-their-halloween-merchandise-online-4.html, posted on Jul. 30, 2011 (9 pages).

“Skull and Crossbones Vintage Gas Pump Drink Dispensers”, printed from www.genuinehotrod.com/itemgroup/skull-and-crossbones-vintage-gas-pump-drink-dispensers, publicly available at least as early as Jan. 21, 2016, per <http://web.archive.org> (2 pages).

“Skull Metal Beverage Drink Dispenser Stand”, depicting beverage dispenser from Pottery Barn, printed from www.houzz.com/photos/5076417/Skull-Metal-Beverage-Drink-Dispenser-Stand-traditional-beverage-dispensers, publicly available at least as early as Aug. 16, 2016 (1 page).

“Spider Drink Dispenser”, depicting beverage dispenser from Pottery Barn, printed from www.decorpad.com/bookmark.htm?bookmarkId=23287, publicly available at least as early as Jun. 15, 2016 (8 pages).

“Vampire Teeth Drink Dispenser Stand”, printed from www.thegreenhead.com/2013/10/vampire-teeth-drink-dispenser-stand.php, publicly available at least as early as Oct. 14, 2013, per <http://web.archive.org> (10 pages).

* cited by examiner

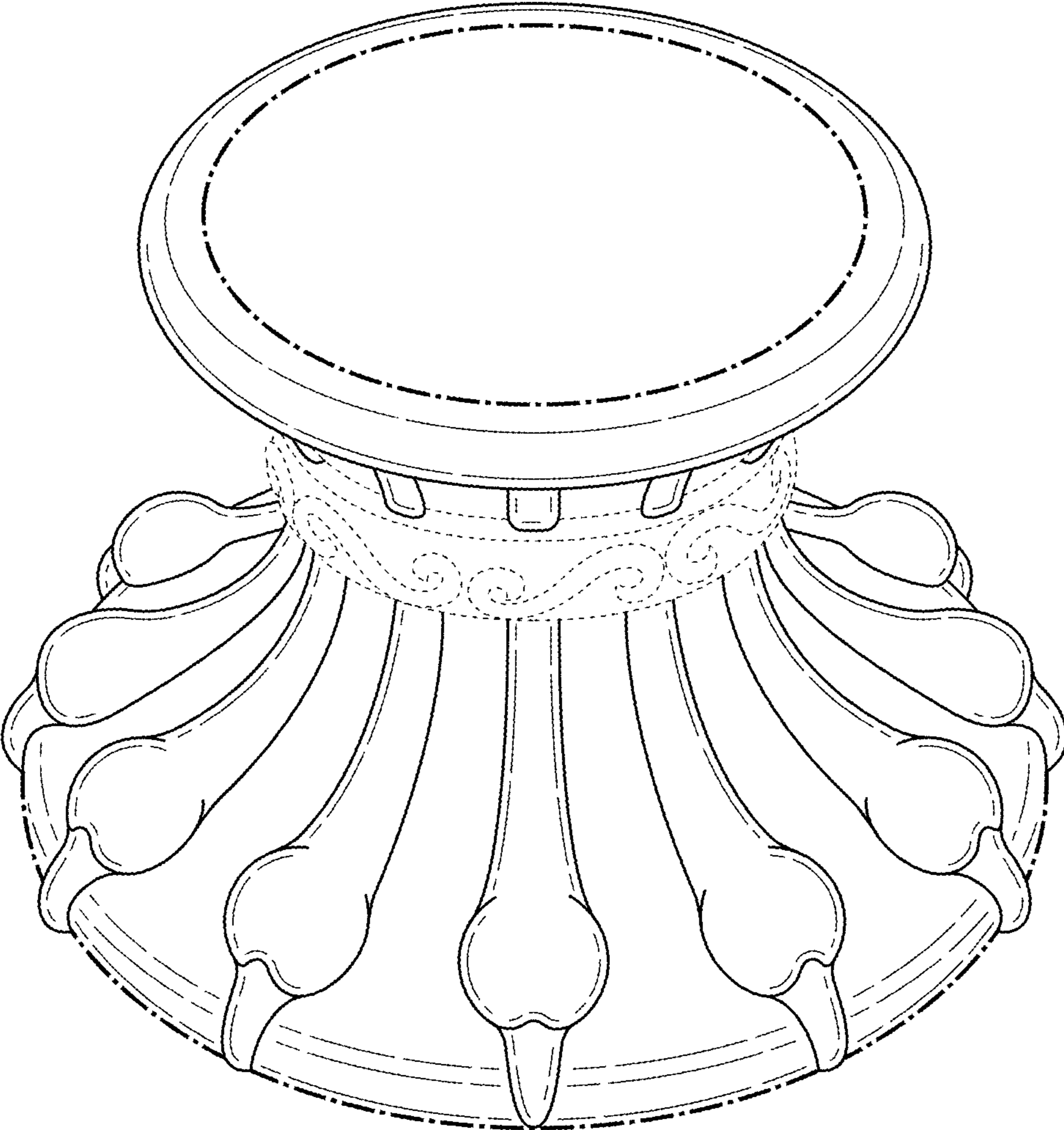


FIG. 1

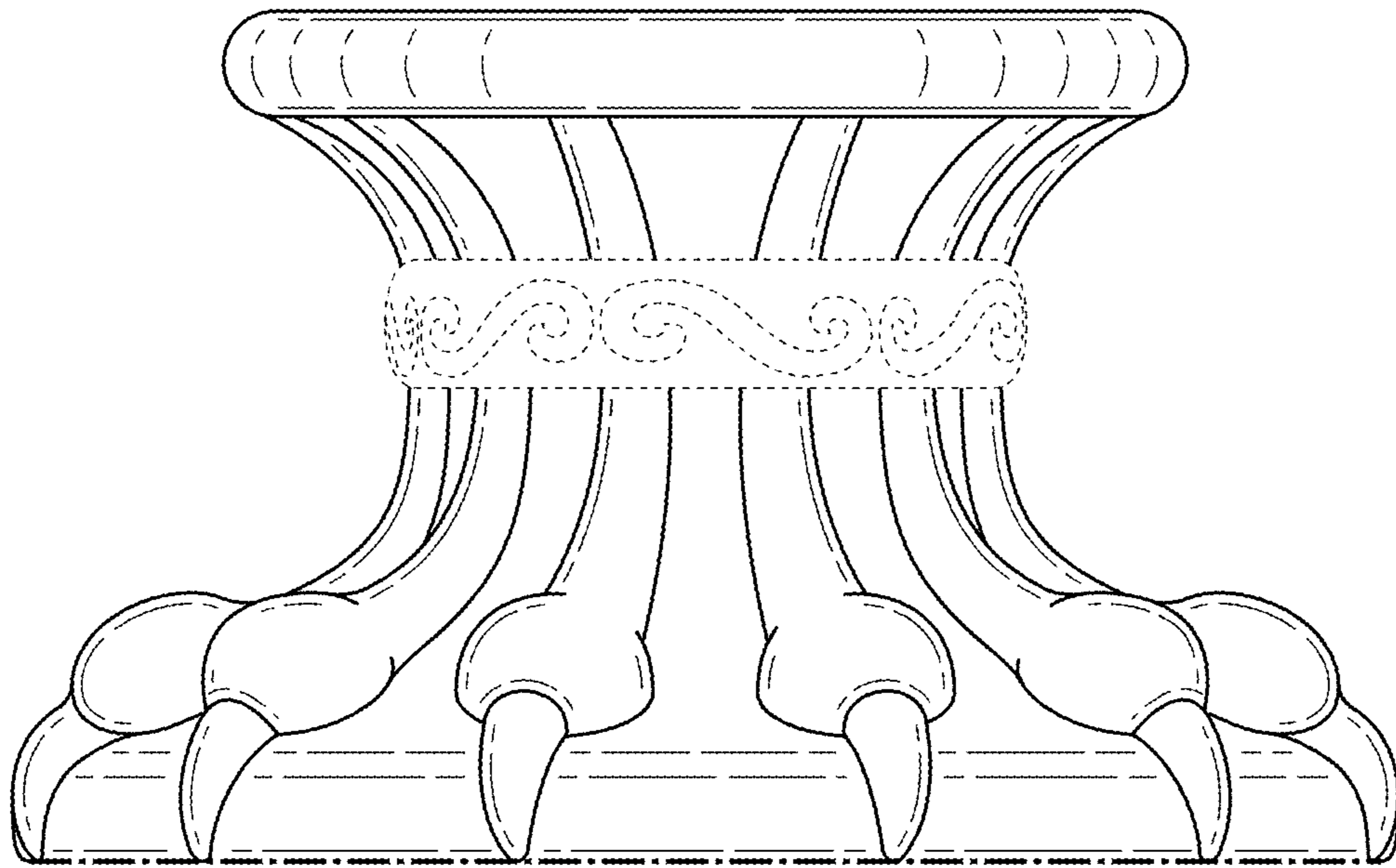


FIG. 2

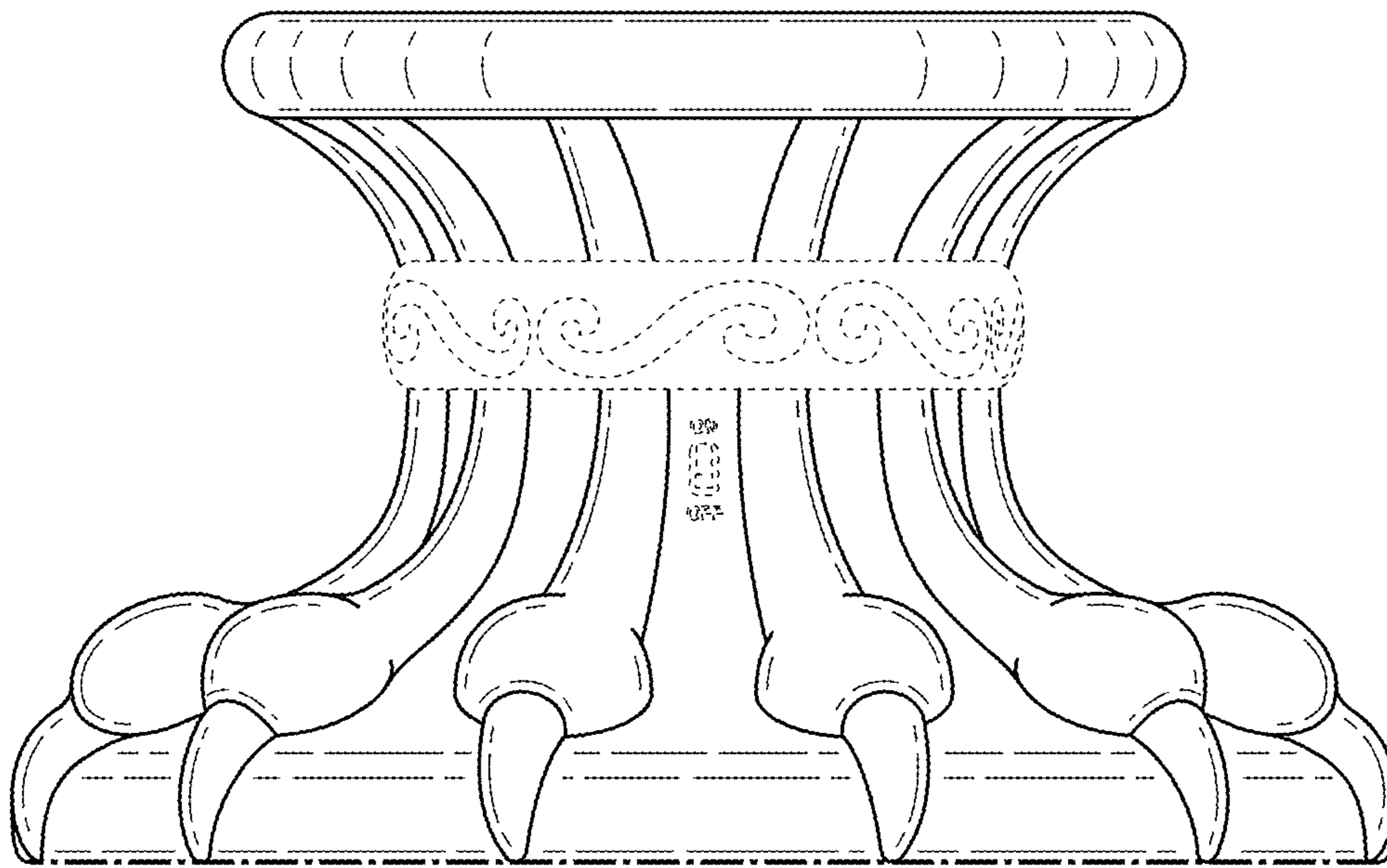


FIG. 3

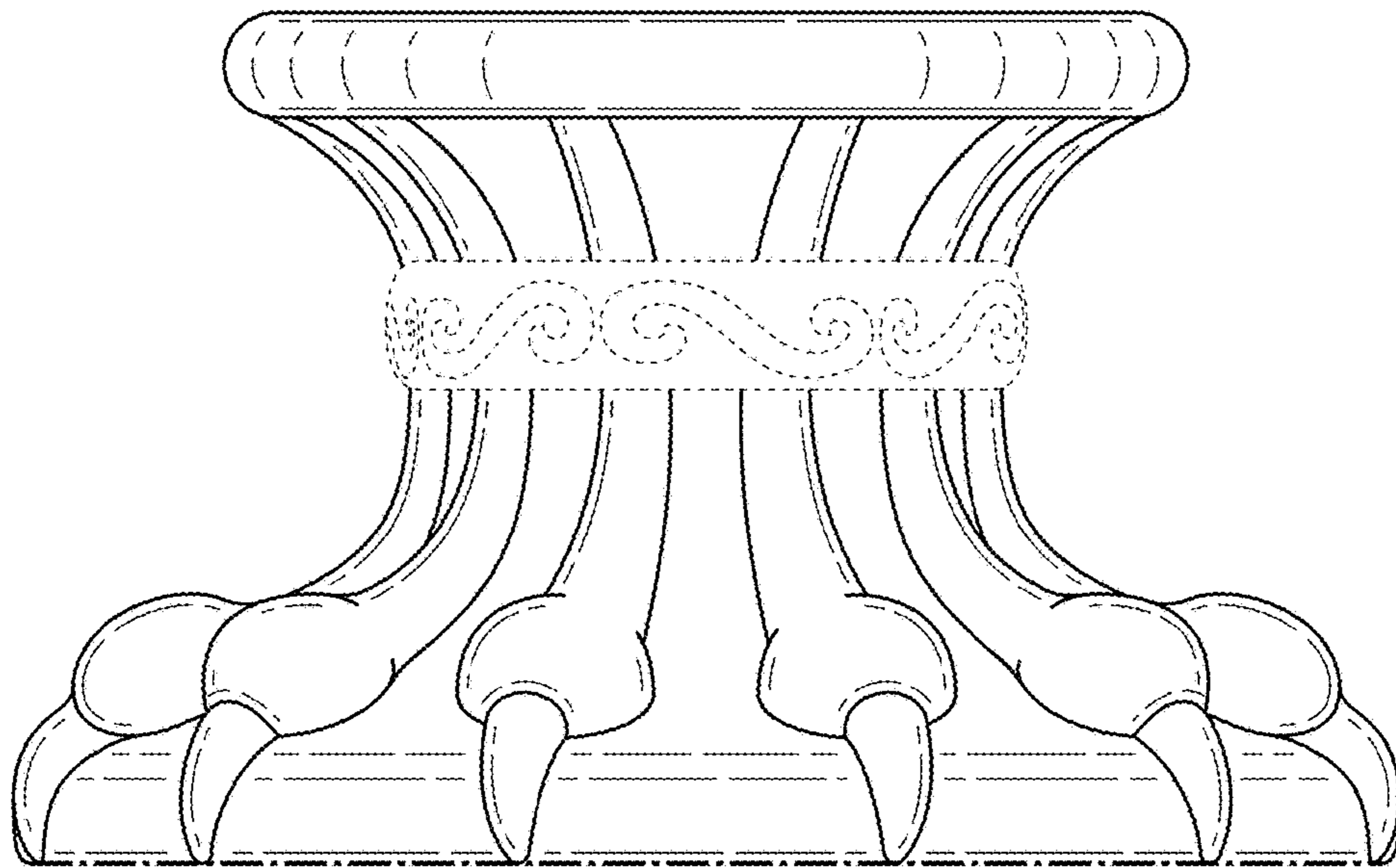


FIG. 4

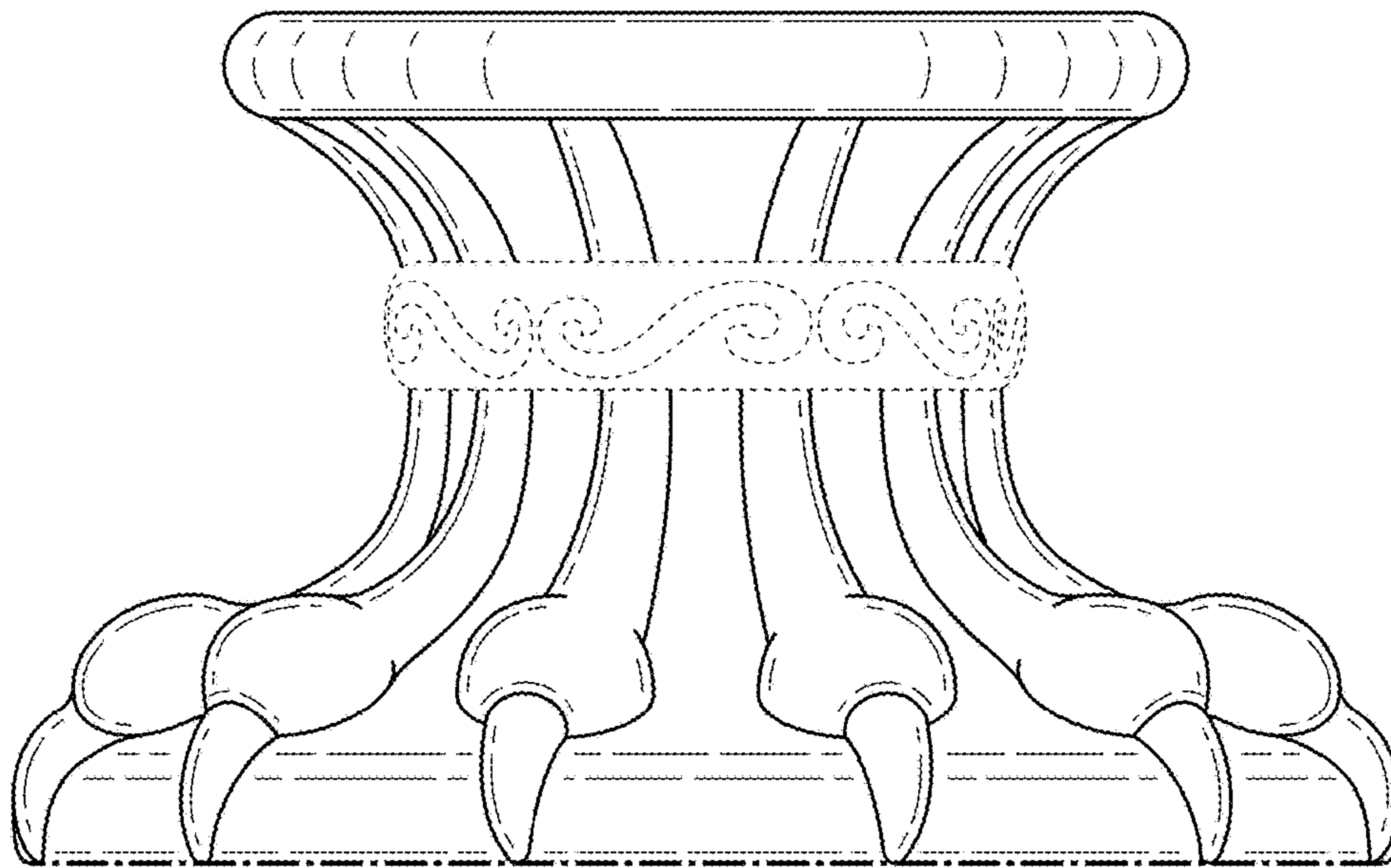


FIG. 5

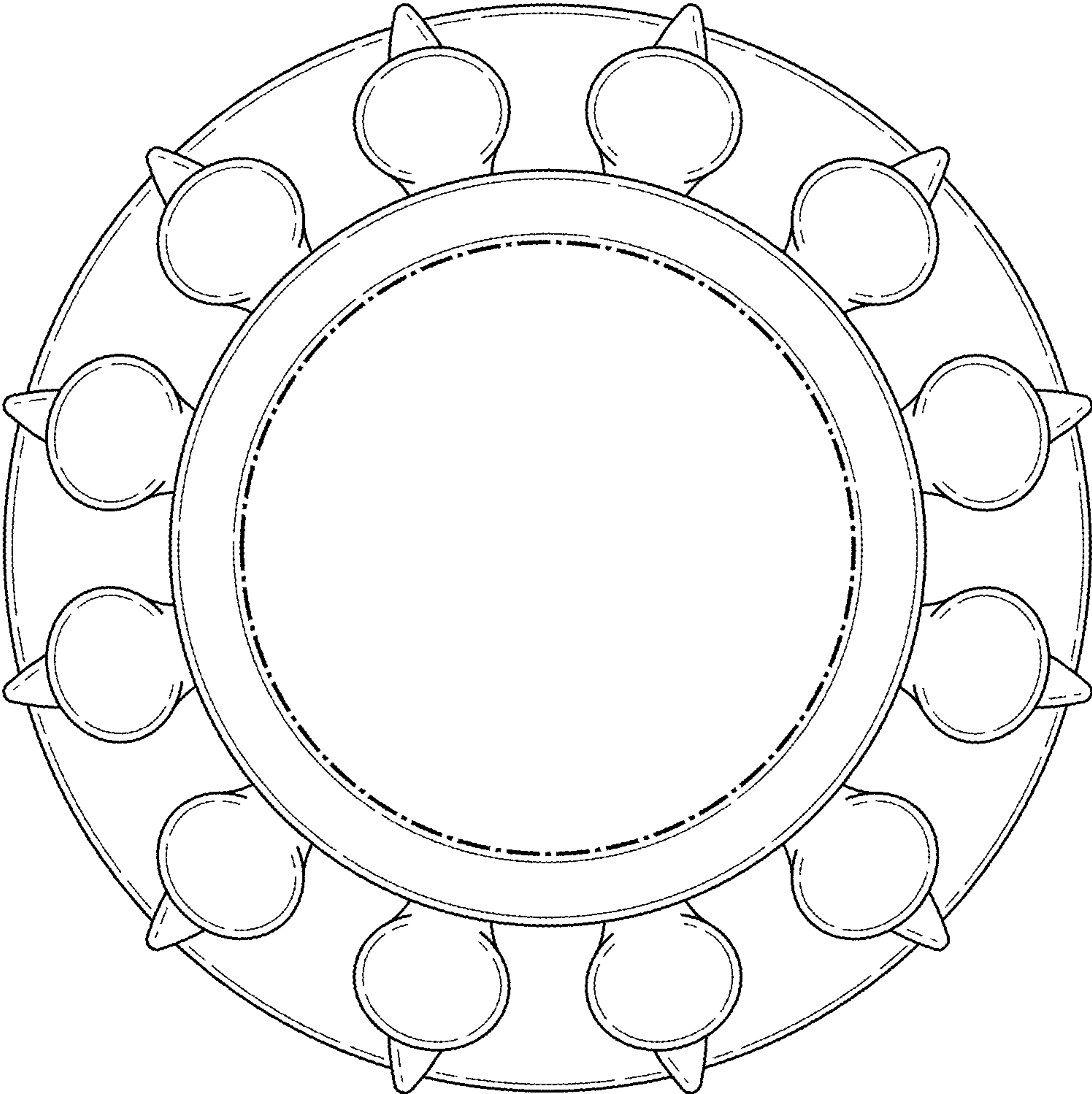


FIG. 6

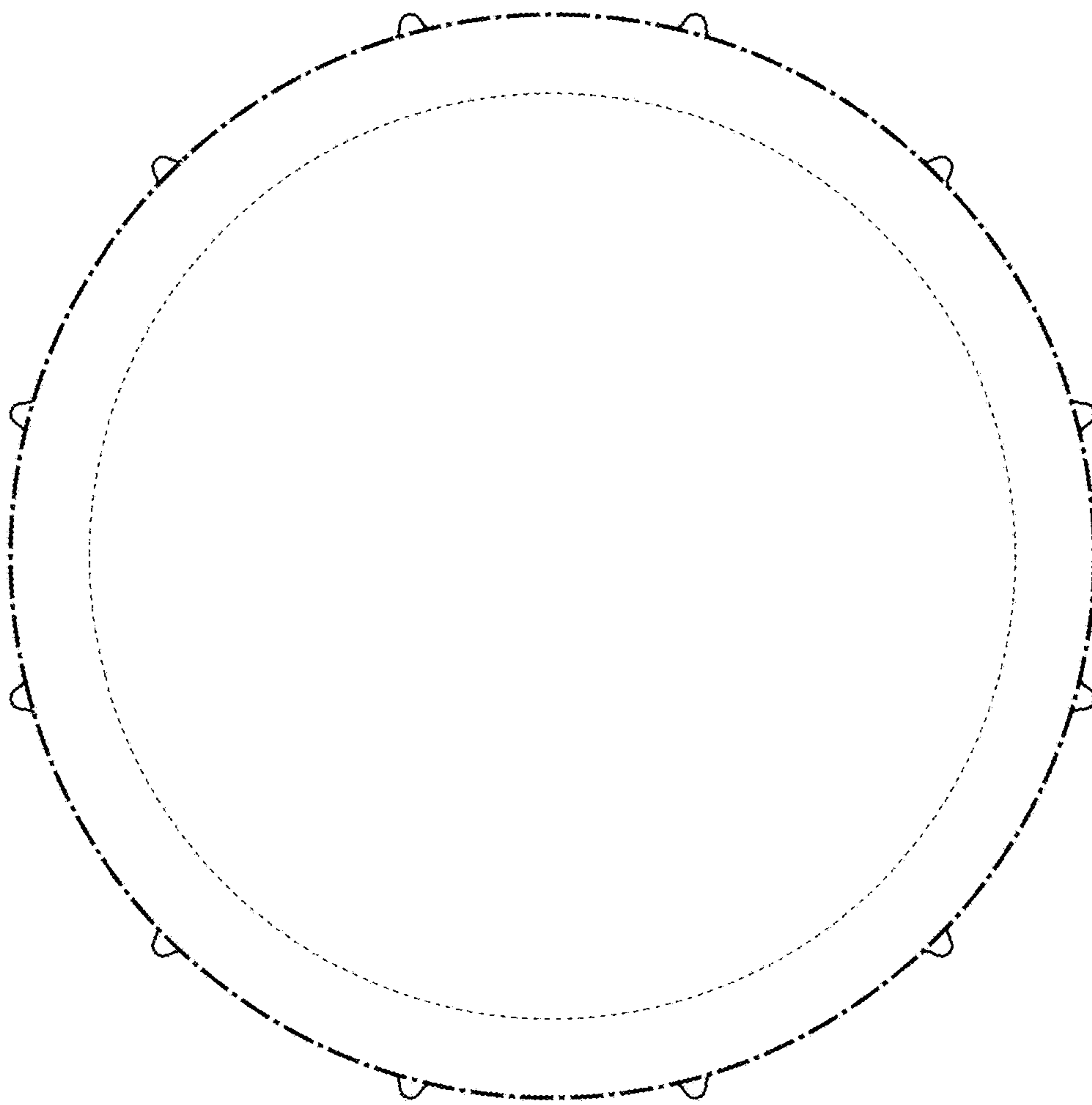


FIG. 7

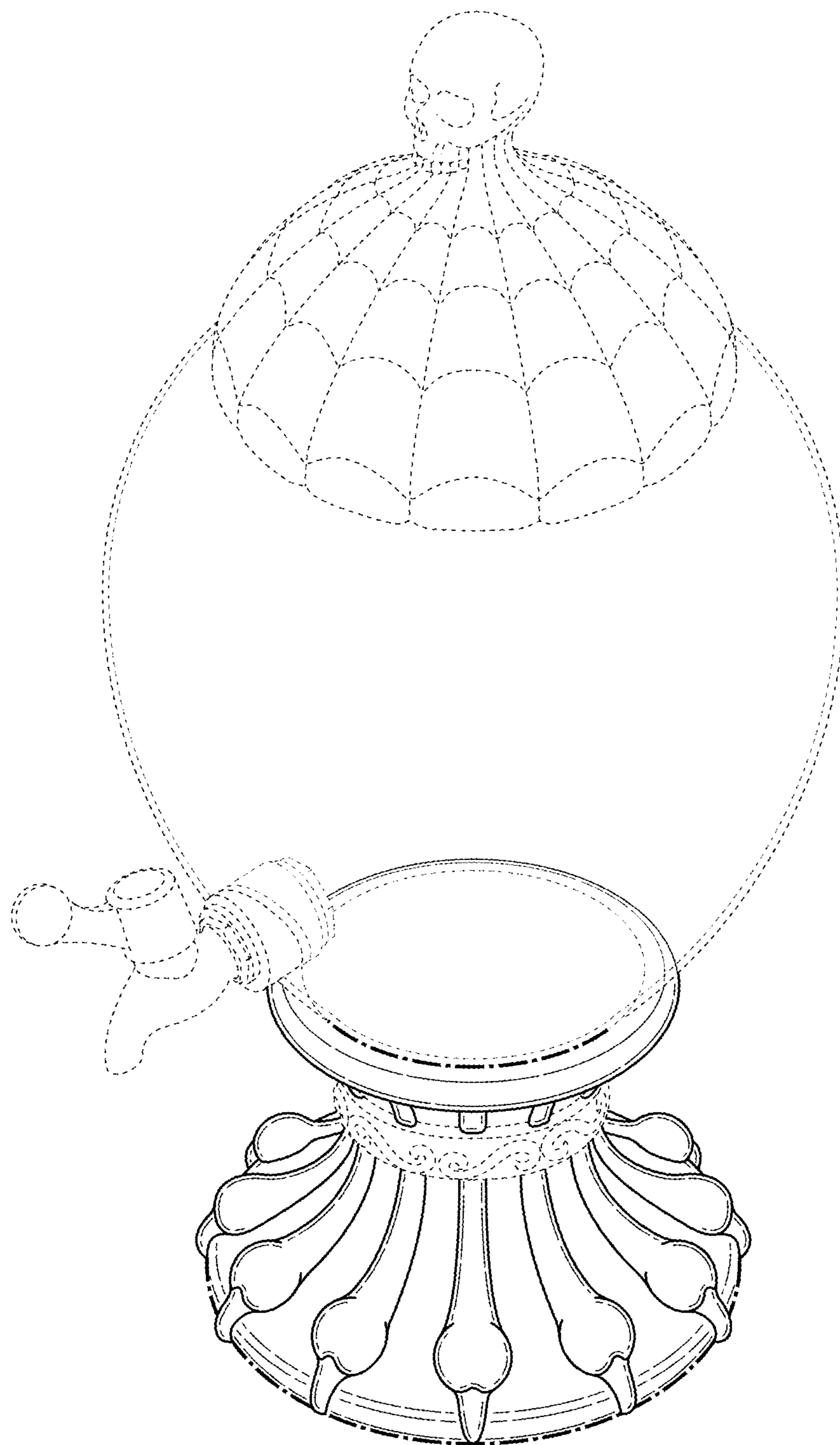


FIG. 8

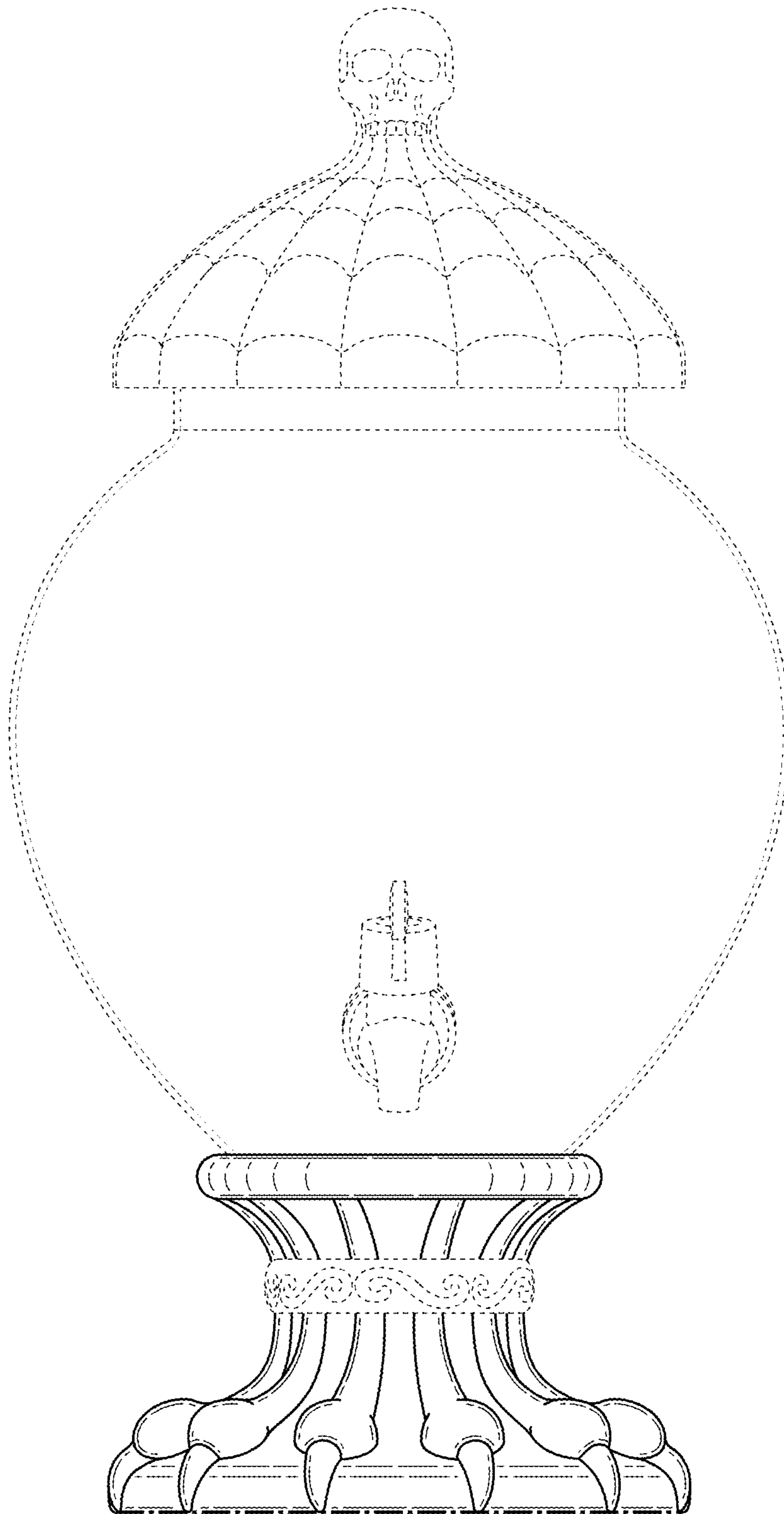


FIG. 9

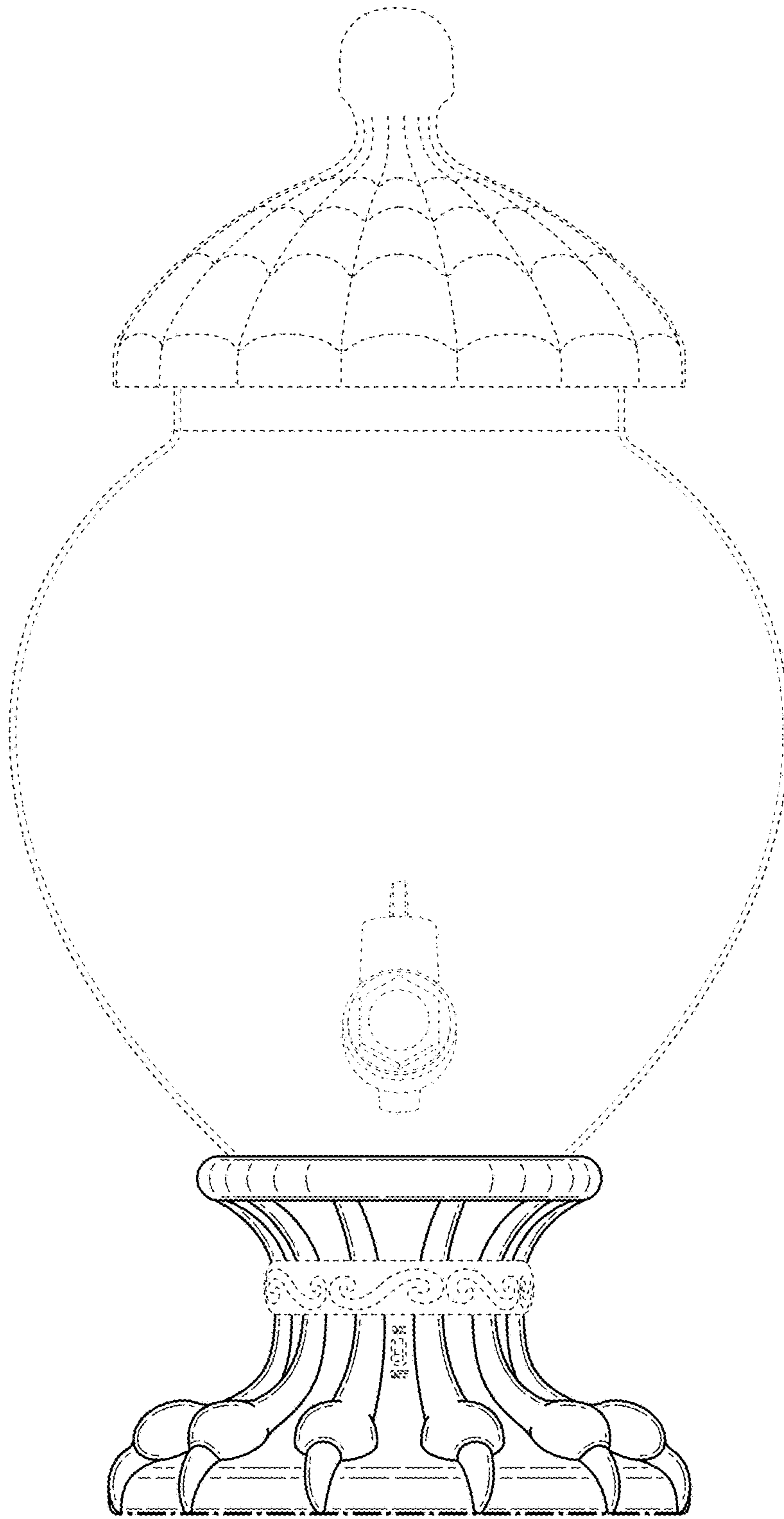


FIG. 10

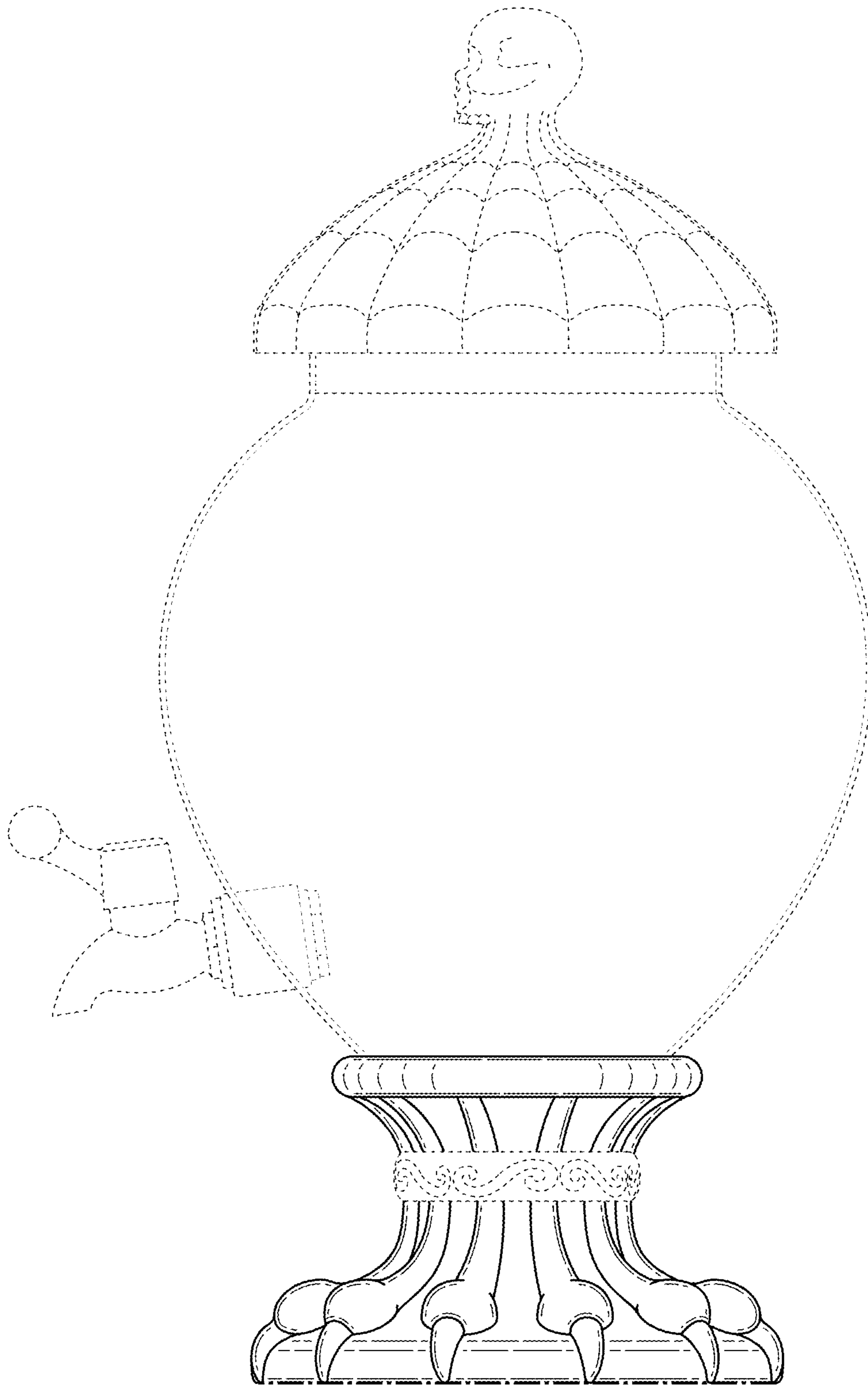


FIG. 11

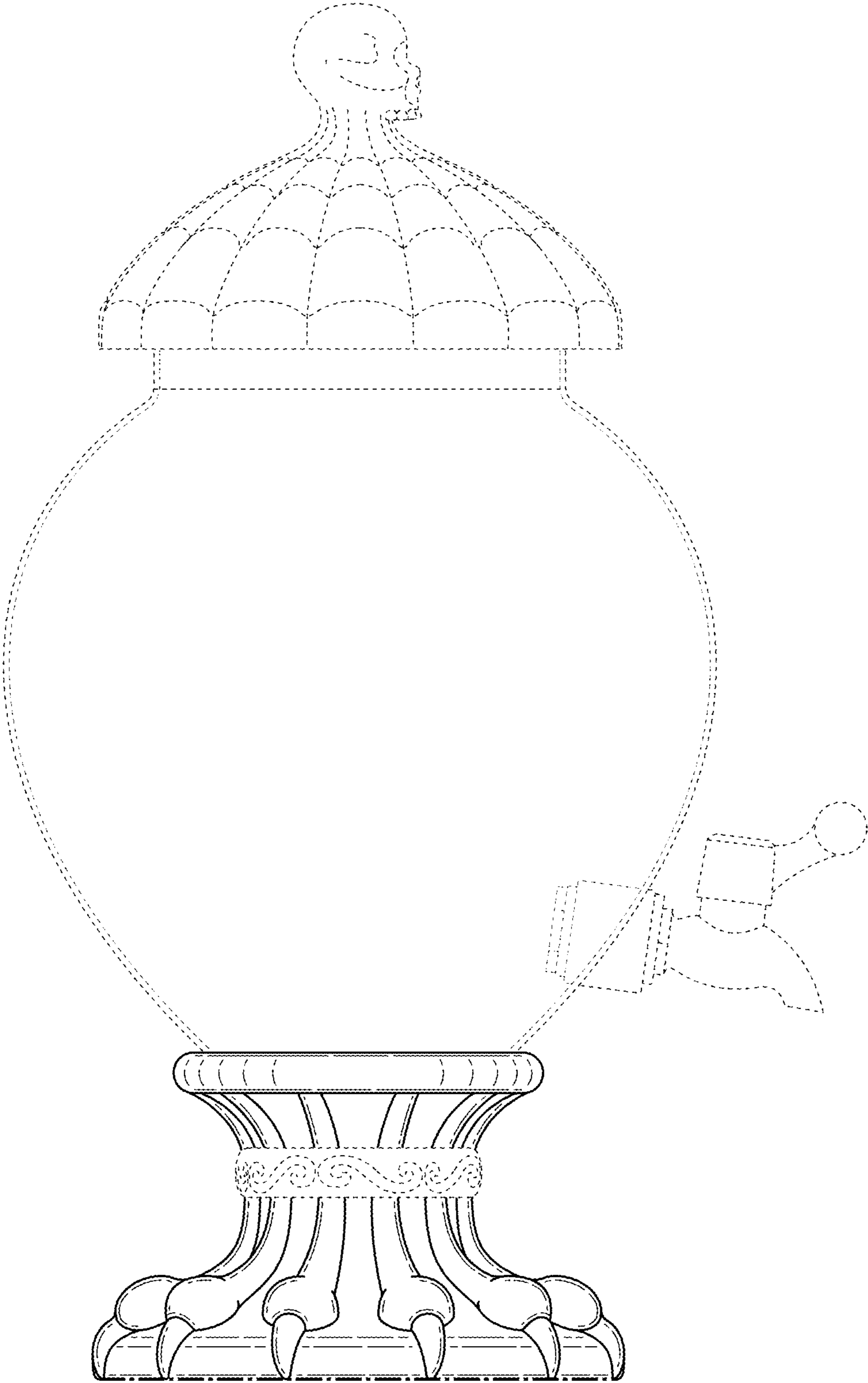


FIG. 12

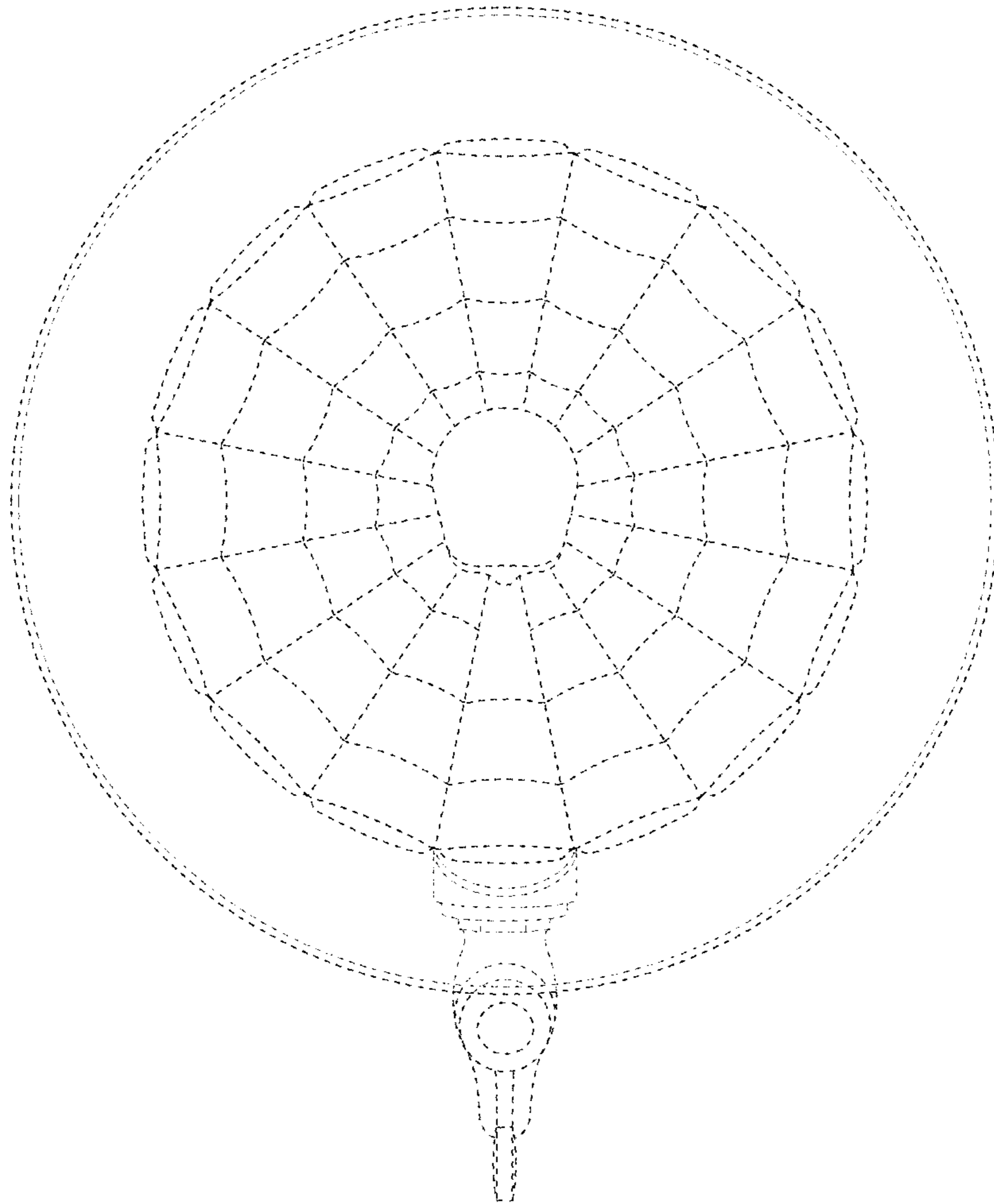


FIG. 13

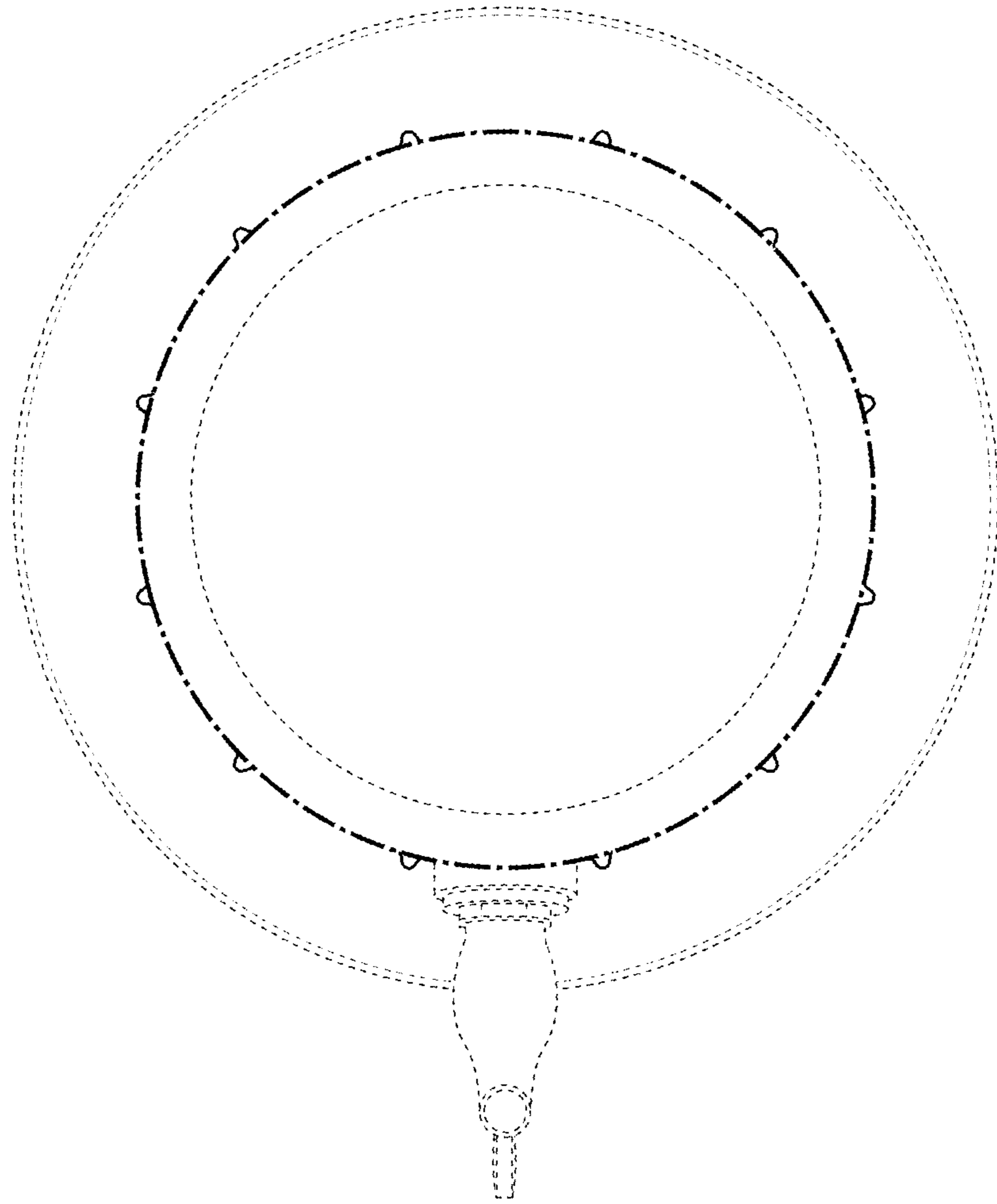


FIG. 14