



US00D826632S

(12) **United States Design Patent**
Breit et al.

(10) **Patent No.:** **US D826,632 S**

(45) **Date of Patent:** **** Aug. 28, 2018**

(54) **BEVERAGE CLIP**
(71) Applicant: **O2COOL, LLC**, Chicago, IL (US)
(72) Inventors: **Oliver Breit**, Discovery Bay (HK);
Mak Shek Fung, Hong Kong (CN);
Michael Ksiazek, Burr Ridge, IL (US)
(73) Assignee: **O2COOL, LLC**, Chicago, IL (US)
(**) Term: **15 Years**

8,413,838 B2 * 4/2013 Miller A47G 23/0241
220/694
8,863,980 B2 * 10/2014 Miller A47G 23/0241
220/482
D770,885 S * 11/2016 Miros D8/382
D773,885 S * 12/2016 Loshuk D7/387
D777,510 S * 1/2017 Loshuk D7/387
D777,511 S * 1/2017 Williams D20/28
D788,575 S * 6/2017 Kim D8/395
D792,971 S * 7/2017 Greenizen D24/143
D801,881 S * 11/2017 Brown, Jr. D12/133

(Continued)

(21) Appl. No.: **29/607,538**
(22) Filed: **Jun. 14, 2017**
(51) **LOC (11) Cl.** **07-99**
(52) **U.S. Cl.**
USPC **D7/396.2**; D7/392.1; D7/387; D7/620;
D8/395
(58) **Field of Classification Search**
USPC D7/392.1, 396.2, 387, 396.3, 388, 900,
D7/507, 555, 510, 511, 533, 536, 397,
D7/398, 396.1, 620, 619.1; D9/436, 434,
D9/435, 454; 220/200, 703; D8/382,
D8/395, 396, 394
CPC B65D 41/56; B65D 43/02; B65D 1/265;
A47G 19/2216; A47G 19/22; A47G
19/2222
See application file for complete search history.

OTHER PUBLICATIONS

<https://www.amazon.co.uk/Portable-Office-Table-Coffee-Holder/dp/B00K640YM4> Cup Holder Clip Jul. 5, 2014.*

Primary Examiner — Marianne Pandozzi
Assistant Examiner — Jae Liang
(74) *Attorney, Agent, or Firm* — Thompson Coburn LLP

(57) **CLAIM**

The ornamental design for a beverage clip, as shown and described.

DESCRIPTION

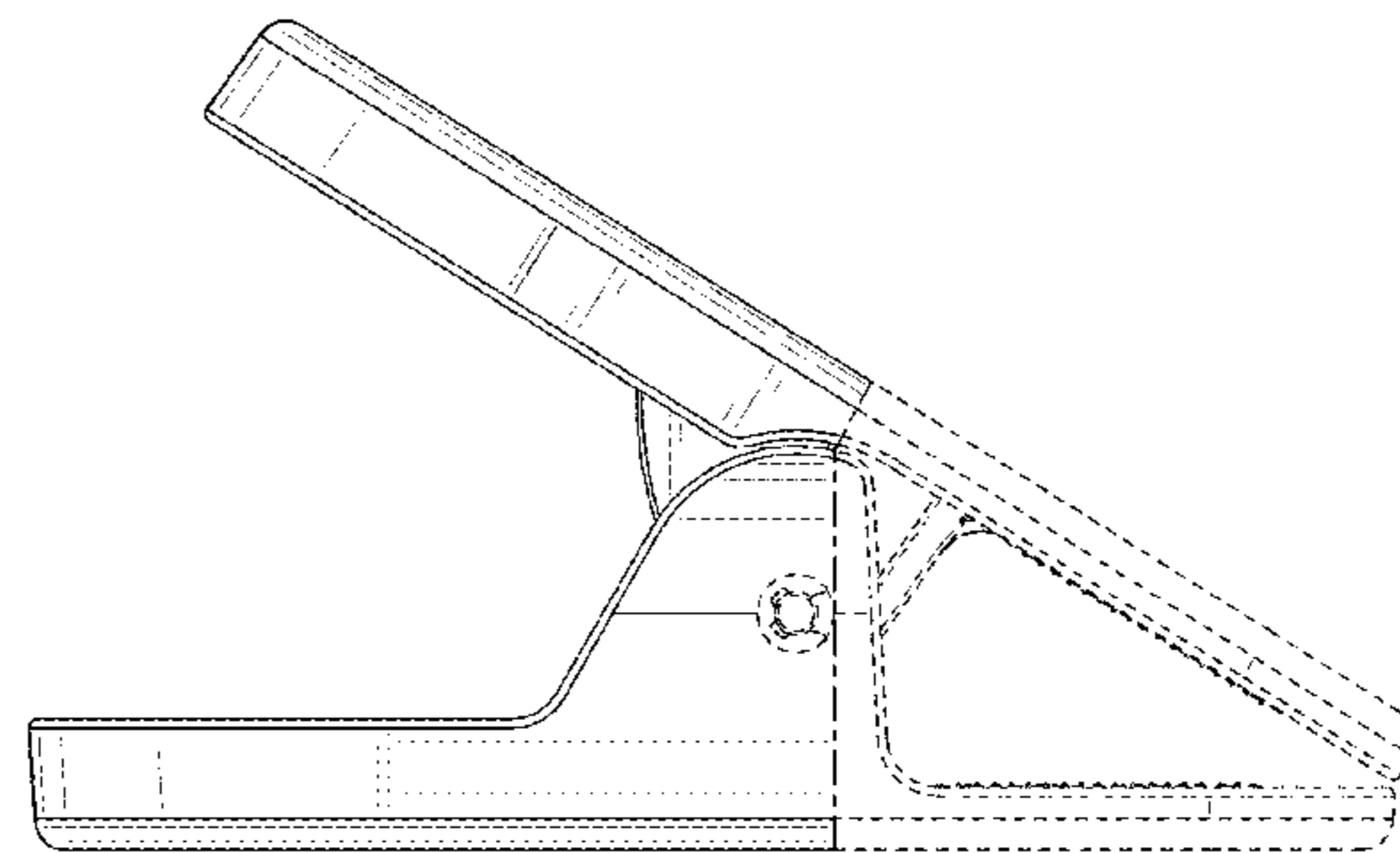
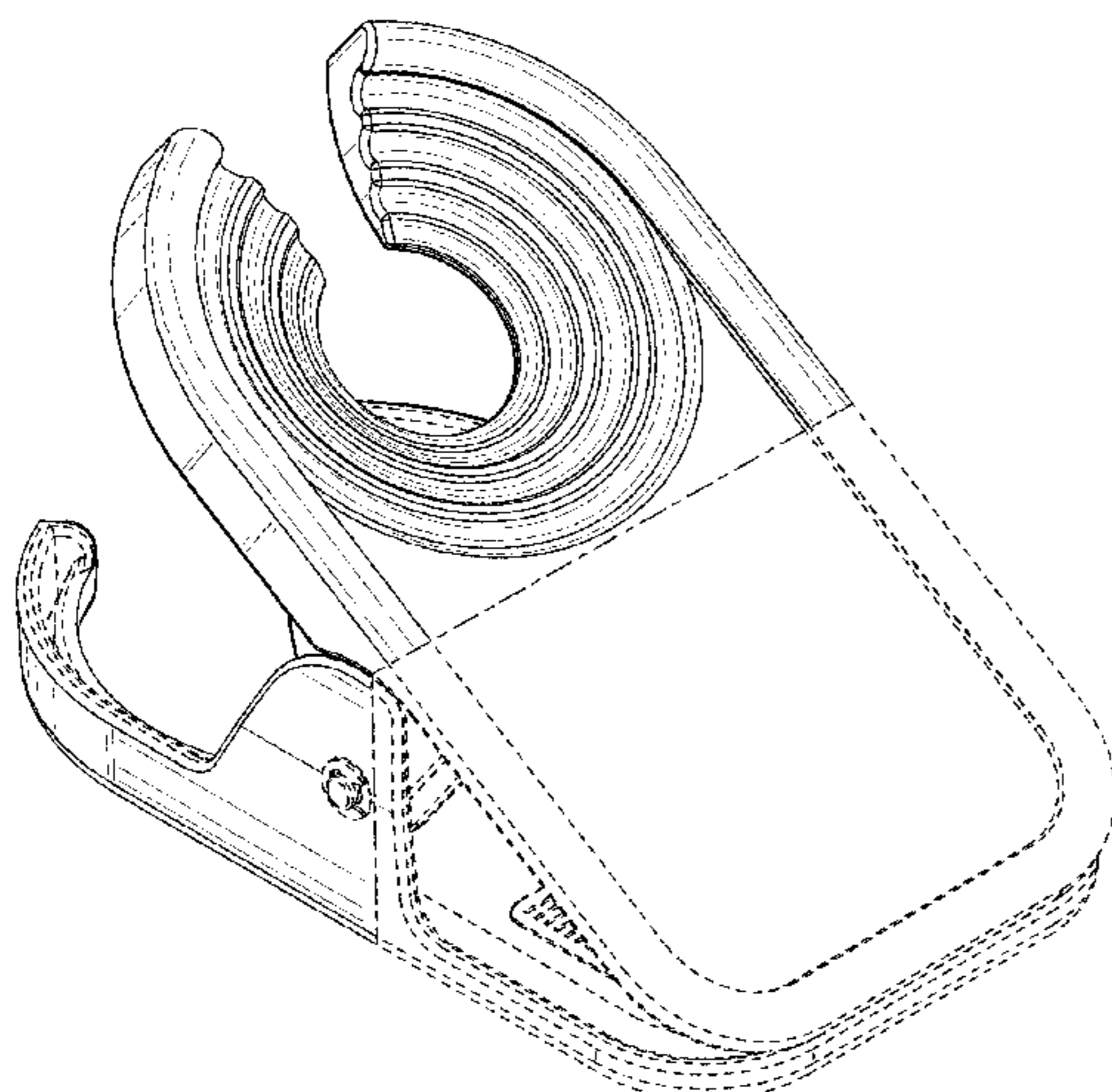
FIG. 1 is a perspective view of a beverage clip showing our new design;
FIG. 2 is a front view thereof;
FIG. 3 is a rear view thereof;
FIG. 4 is a left side view thereof;
FIG. 5 is a right side view thereof;
FIG. 6 is a top view thereof;
FIG. 7 is a bottom view thereof;
FIG. 8 is a second perspective view thereof; and,
FIG. 9 is a third perspective view thereof.
The broken lines immediately adjacent the shaded areas depict bounds of the claimed design while the rest of the broken lines in the drawings depict portions of the beverage clip that form no part of the claimed design.

1 Claim, 9 Drawing Sheets

(56) **References Cited**

U.S. PATENT DOCUMENTS

D265,508 S * 7/1982 Rusteberg D24/128
D331,860 S * 12/1992 Stanfield D7/505
D373,052 S * 8/1996 Di Biase D7/553.6
D417,185 S * 11/1999 Marks D12/411
D511,964 S * 11/2005 Mariano D8/395
D520,353 S * 5/2006 Mariano D8/395
D565,662 S * 4/2008 Reardon D19/65
D612,691 S * 3/2010 Barnes, Jr. D7/620
D650,691 S * 12/2011 Miller D7/601
D650,692 S * 12/2011 Miller D7/601



(56)

References Cited

U.S. PATENT DOCUMENTS

D804,896 S * 12/2017 Loshuk D7/396.2
D804,897 S * 12/2017 Loshuk D7/396.2
D806,527 S * 1/2018 Baker, Jr. D8/396

* cited by examiner

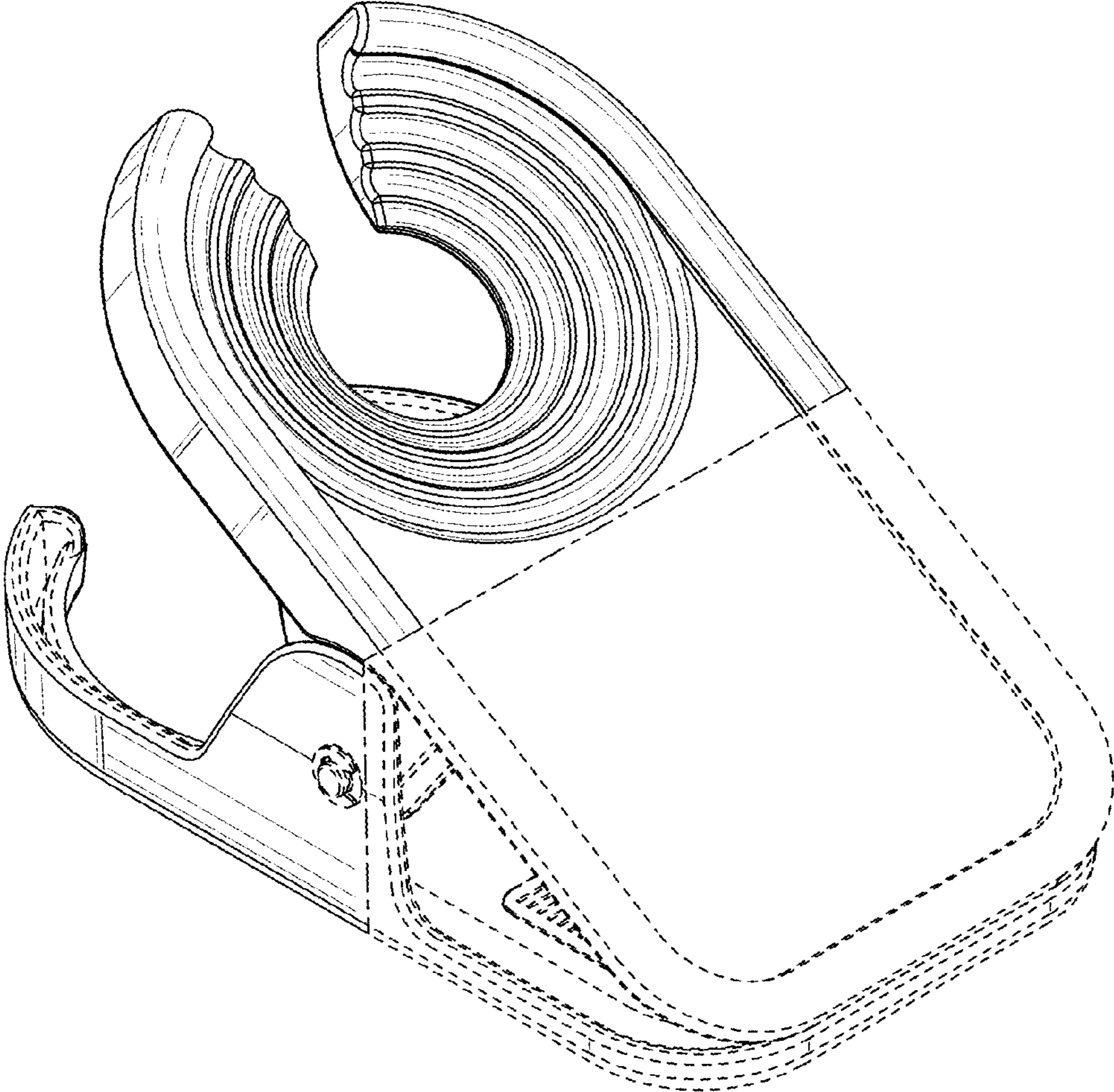


FIG. 1

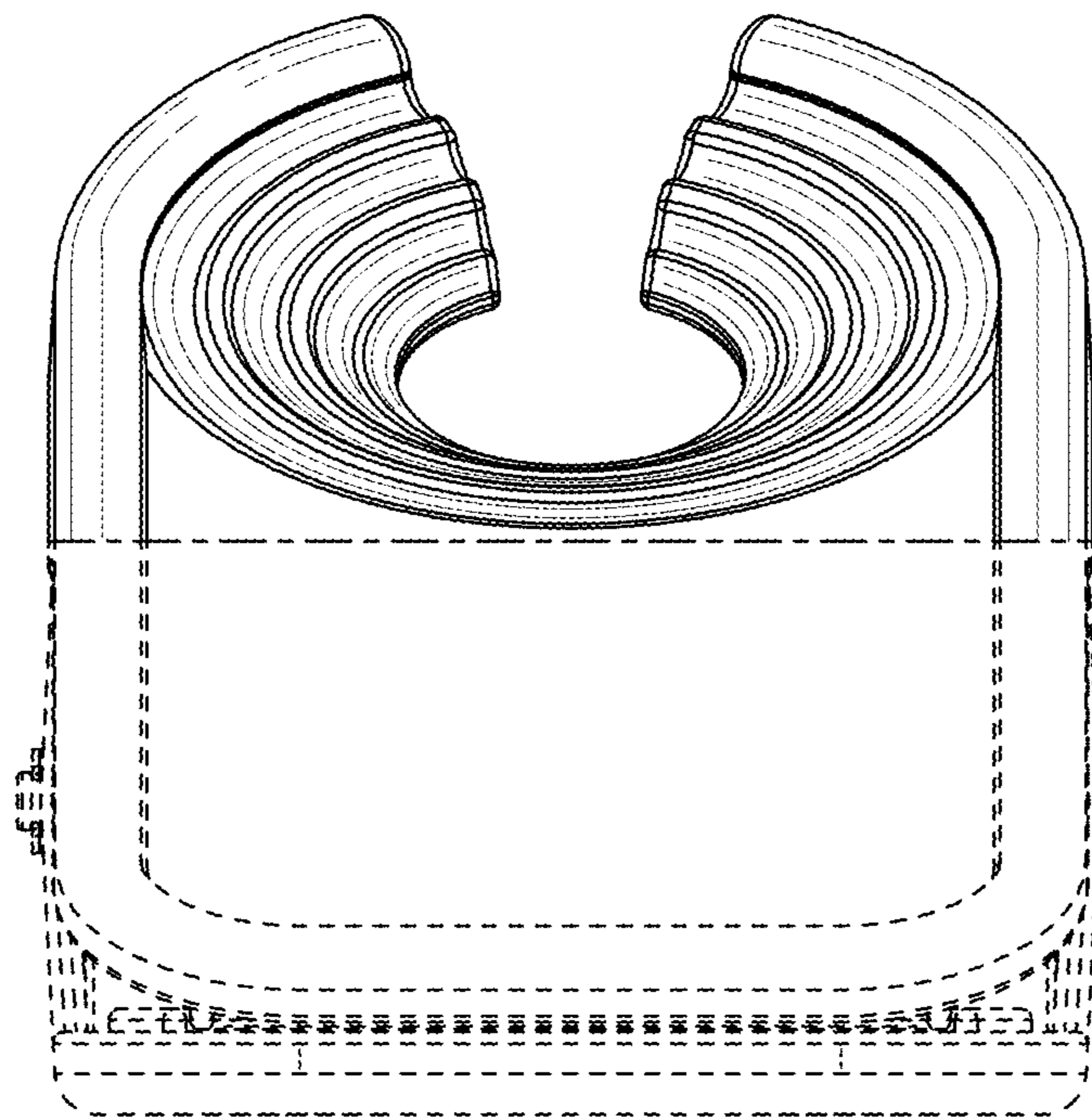


FIG. 2

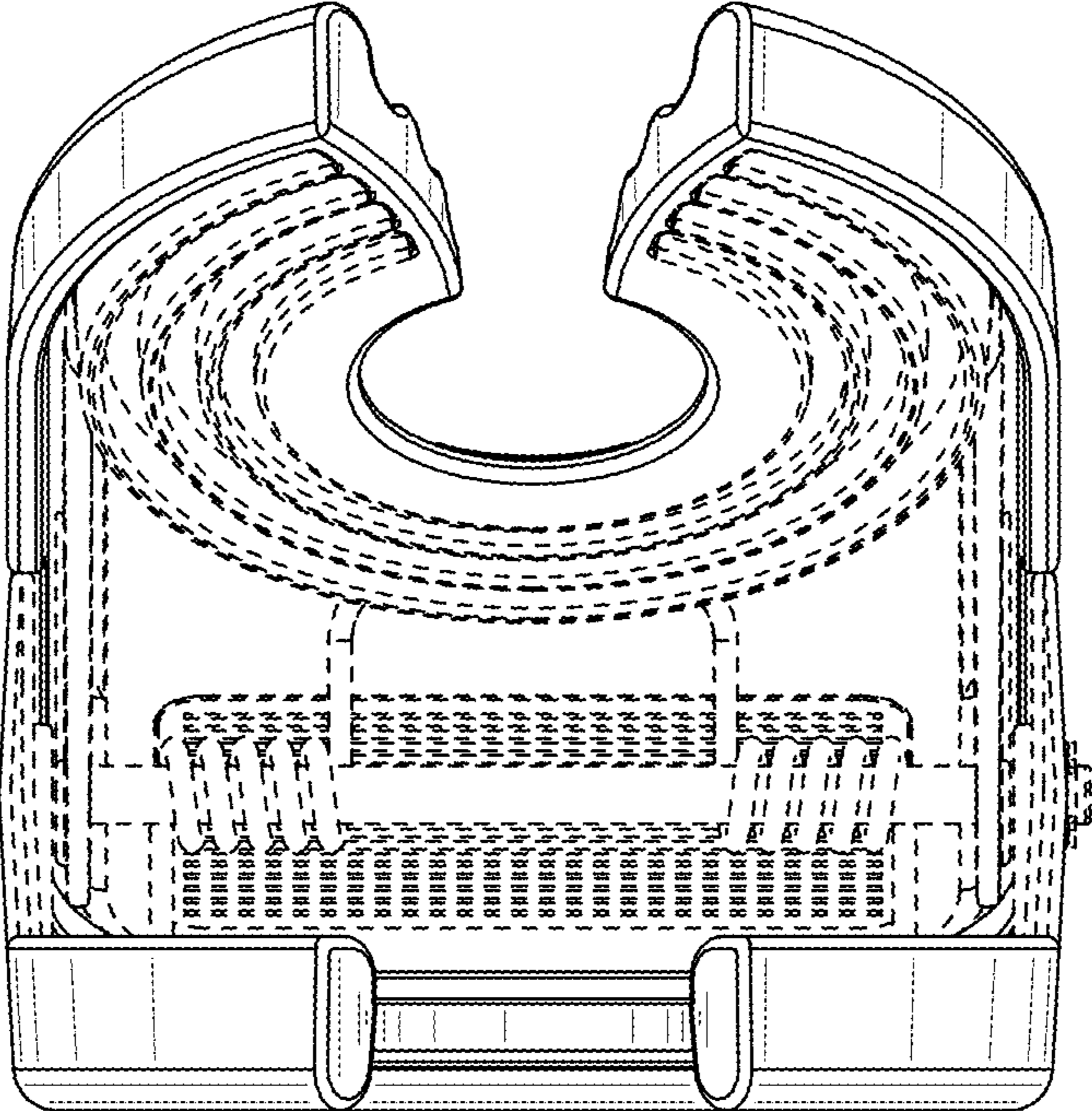


FIG. 3

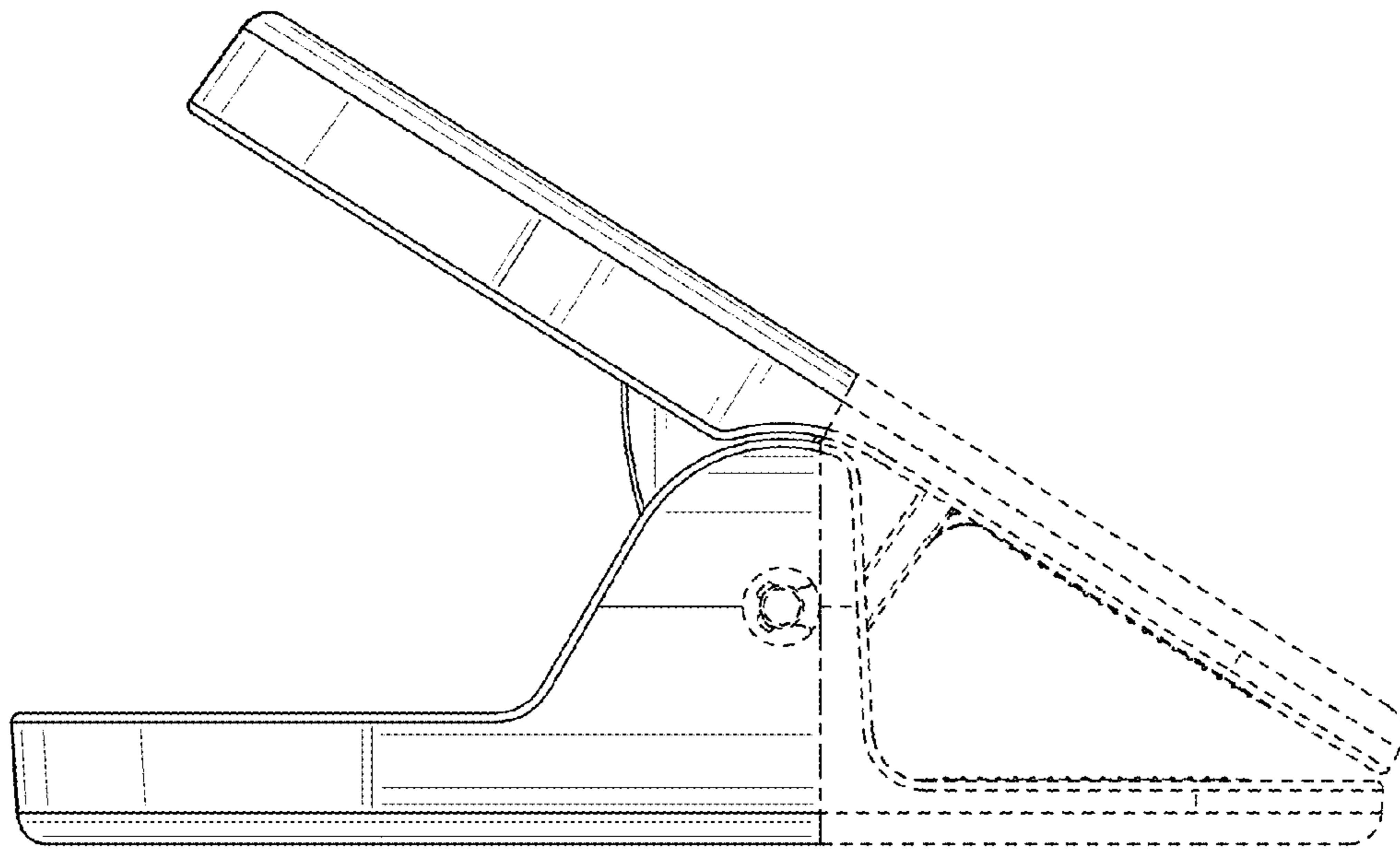


FIG. 4

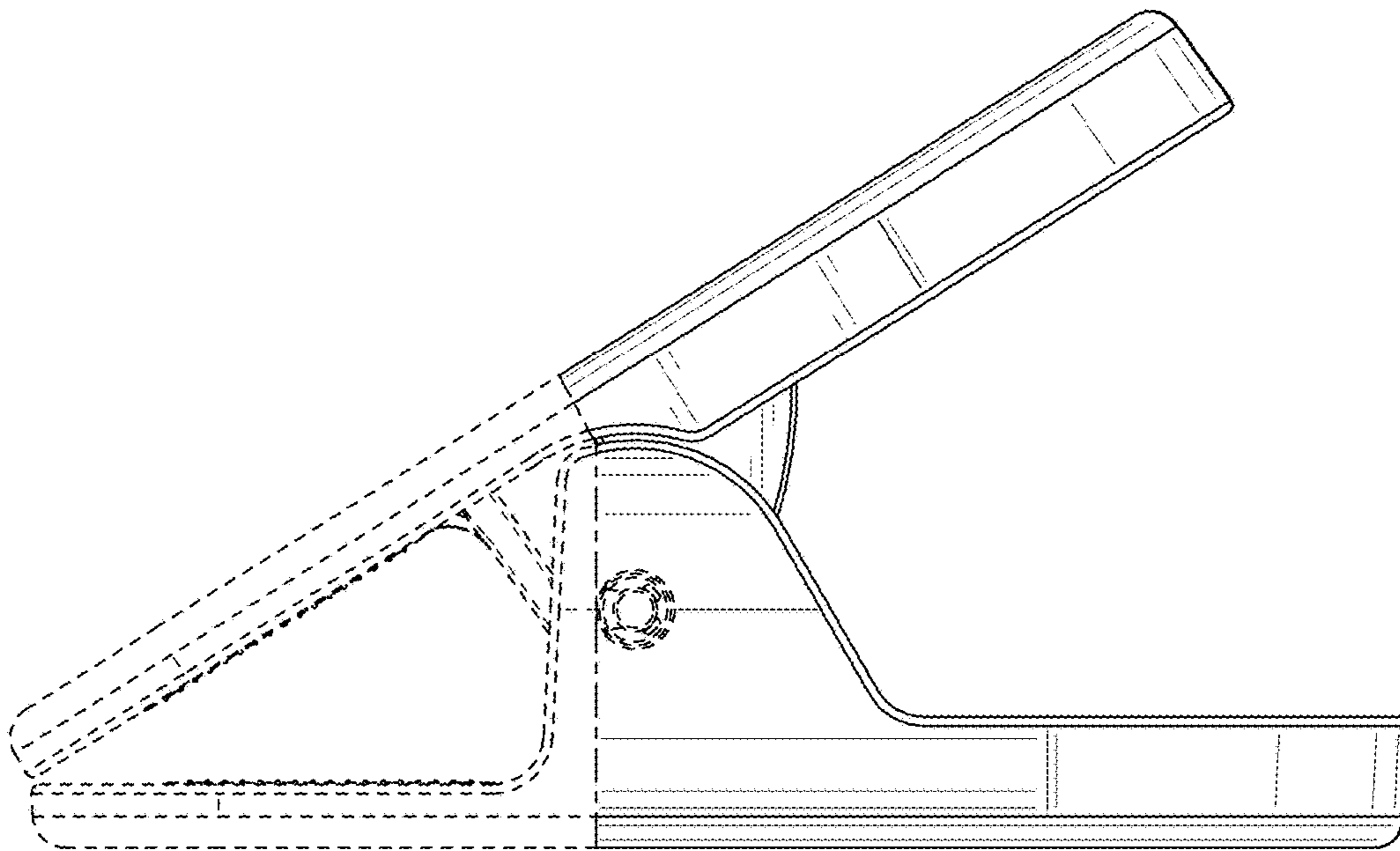


FIG. 5

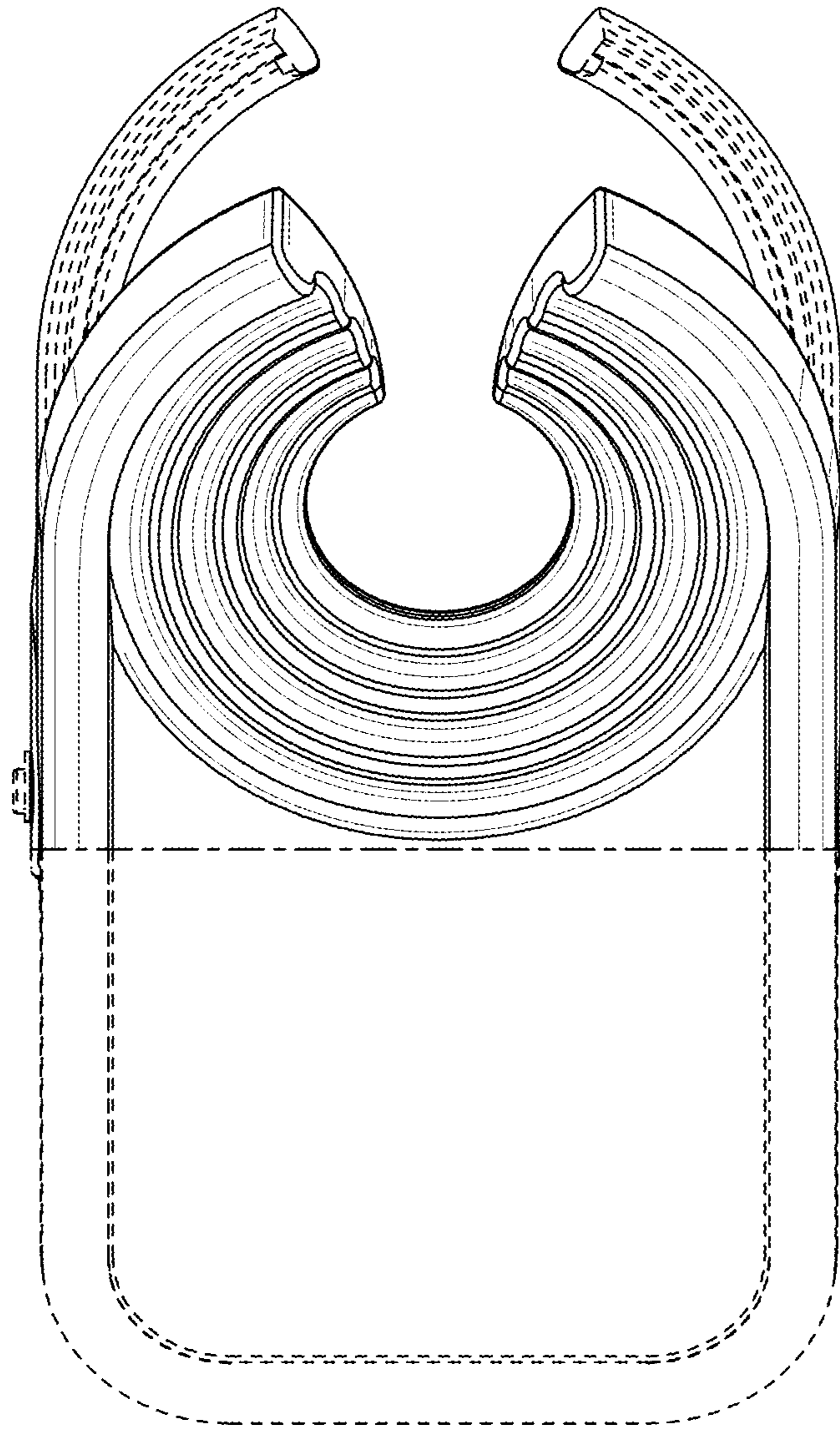


FIG. 6

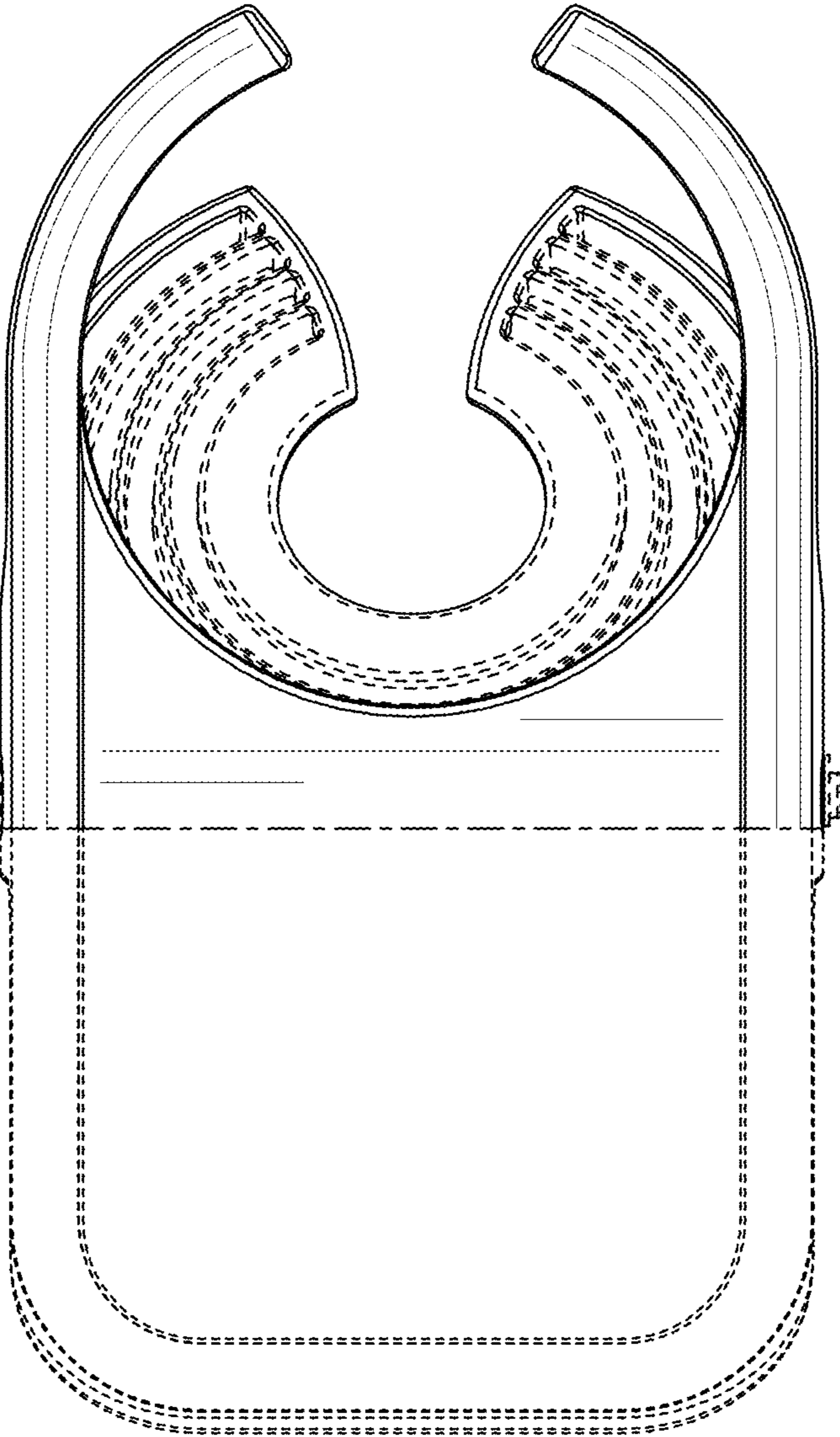


FIG. 7

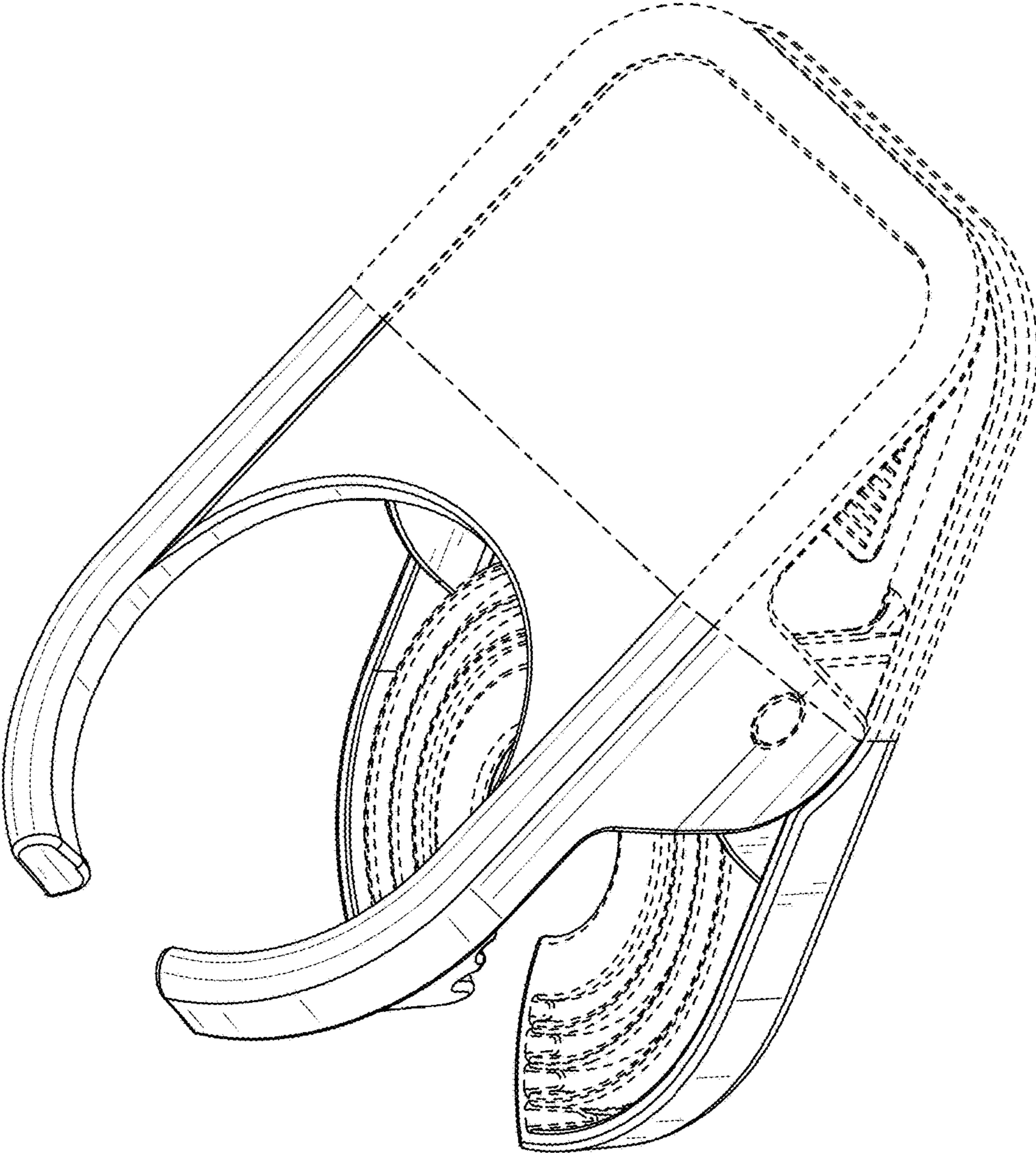


FIG. 8

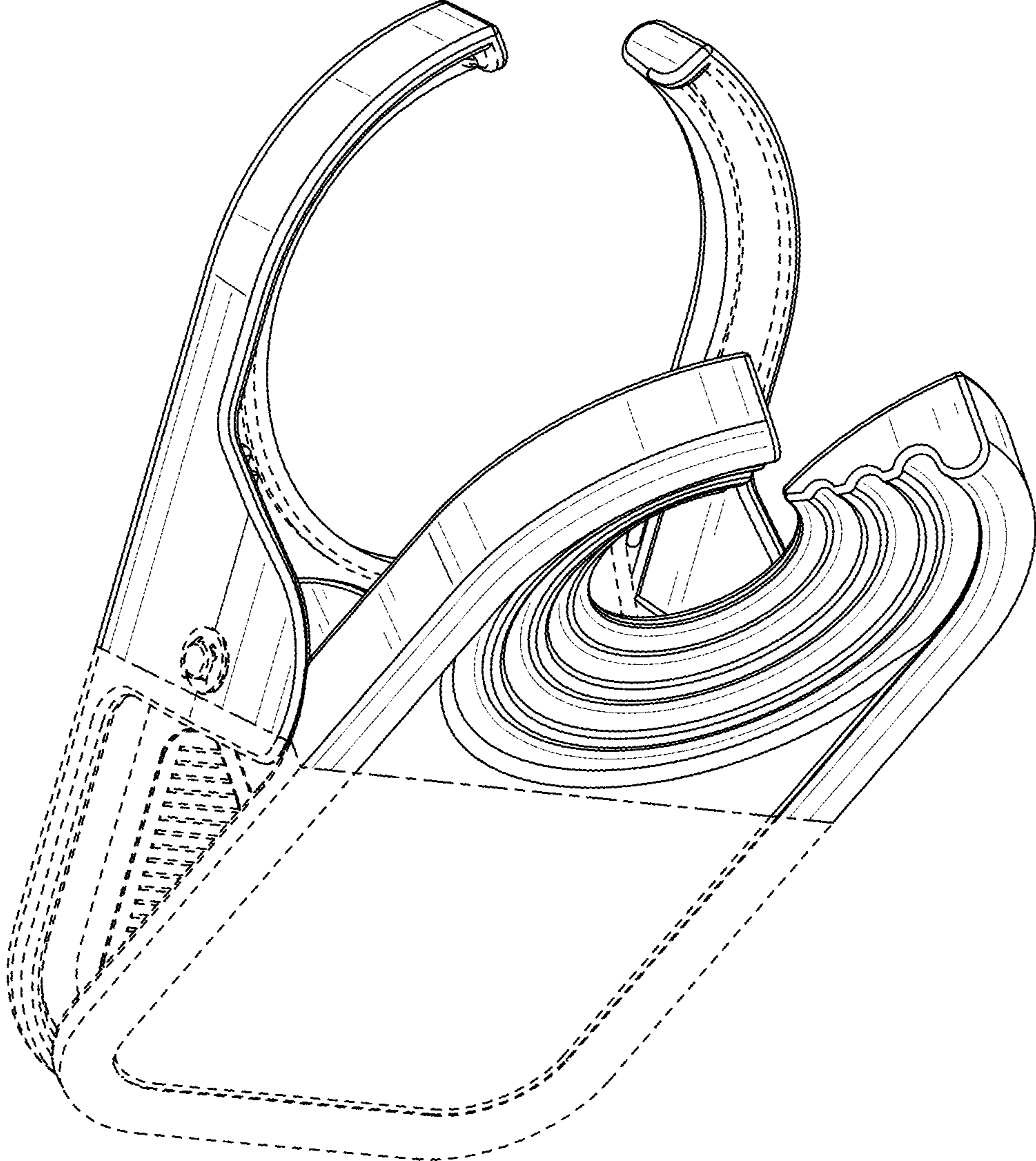


FIG. 9