



US00D826631S

(12) **United States Design Patent** (10) **Patent No.:** **US D826,631 S**  
**Baron et al.** (45) **Date of Patent:** **\*\* Aug. 28, 2018**

(54) **MASON JAR LID**

(71) Applicant: **MASONTOPS, INC.**, Toronto (CA)  
(72) Inventors: **Philip Baron**, Toronto (CA); **Michael Bacher**, Toronto (CA)  
(73) Assignee: **Masontops, Inc.**, Toronto, Ontario (CA)  
(\*\*) Term: **15 Years**  
(21) Appl. No.: **29/604,260**

(22) Filed: **May 16, 2017**  
(51) **LOC (11) Cl.** ..... **07-99**  
(52) **U.S. Cl.**  
USPC ..... **D7/392.1**; D9/454  
(58) **Field of Classification Search**  
USPC ..... D7/391, 510, 511, 538, 540, 542, 543,  
D7/544, 545, 629, 392.1, 392; D9/452,  
D9/453, 454, 435, 447, 449, 780, 434,  
D9/440  
CPC ... A47G 19/2205; A47G 19/2222; A45F 3/16;  
A45F 3/20; B67D 7/06; B67D 1/0004;  
B65D 25/14; B65D 47/065; B65D 47/066  
See application file for complete search history.

(56) **References Cited**

**U.S. PATENT DOCUMENTS**

D569,245 S	*	5/2008	Joshi	.....	D9/447
D682,612 S	*	5/2013	Rzepecki	.....	D7/392.1
D747,624 S	*	1/2016	Walker	.....	D7/392.1
D771,990 S	*	11/2016	Horowitz	.....	D7/300.1
D788,583 S	*	6/2017	Tu	.....	D7/392.1
D790,272 S	*	6/2017	Han	.....	D7/396.2
D799,270 S	*	10/2017	Polk, III	.....	D7/510
D808,216 S	*	1/2018	Holowaychuk	.....	D7/412
D810,503 S	*	2/2018	Murosky	.....	D7/392.1
D810,567 S	*	2/2018	Brovar	.....	D9/449

**OTHER PUBLICATIONS**

Masontops website, Multi Tops—Easy Sip & Pour Mason Jar Lids, Publication date unknown, [site visited Apr. 10, 2018], Available on the Internet URL <https://www.masontops.com/collections/storage-solutions/products/multi-tops-easy-sip-pour-mason-jar-lids>.  
YouTube-Masontops, Multi Top Mason Jar Lids by Masontops—Sip, Pour, Store & More, Feb. 28, 2018, [site visited Apr. 10, 2018], Available on the Internet URL <https://www.youtube.com/watch?v=kY9cLcbJbyl>.\*

\* cited by examiner

*Primary Examiner* — Karen S Acker  
*Assistant Examiner* — Steven B Reinholdt, Jr.  
(74) *Attorney, Agent, or Firm* — McAndrews, Held & Malloy, Ltd.

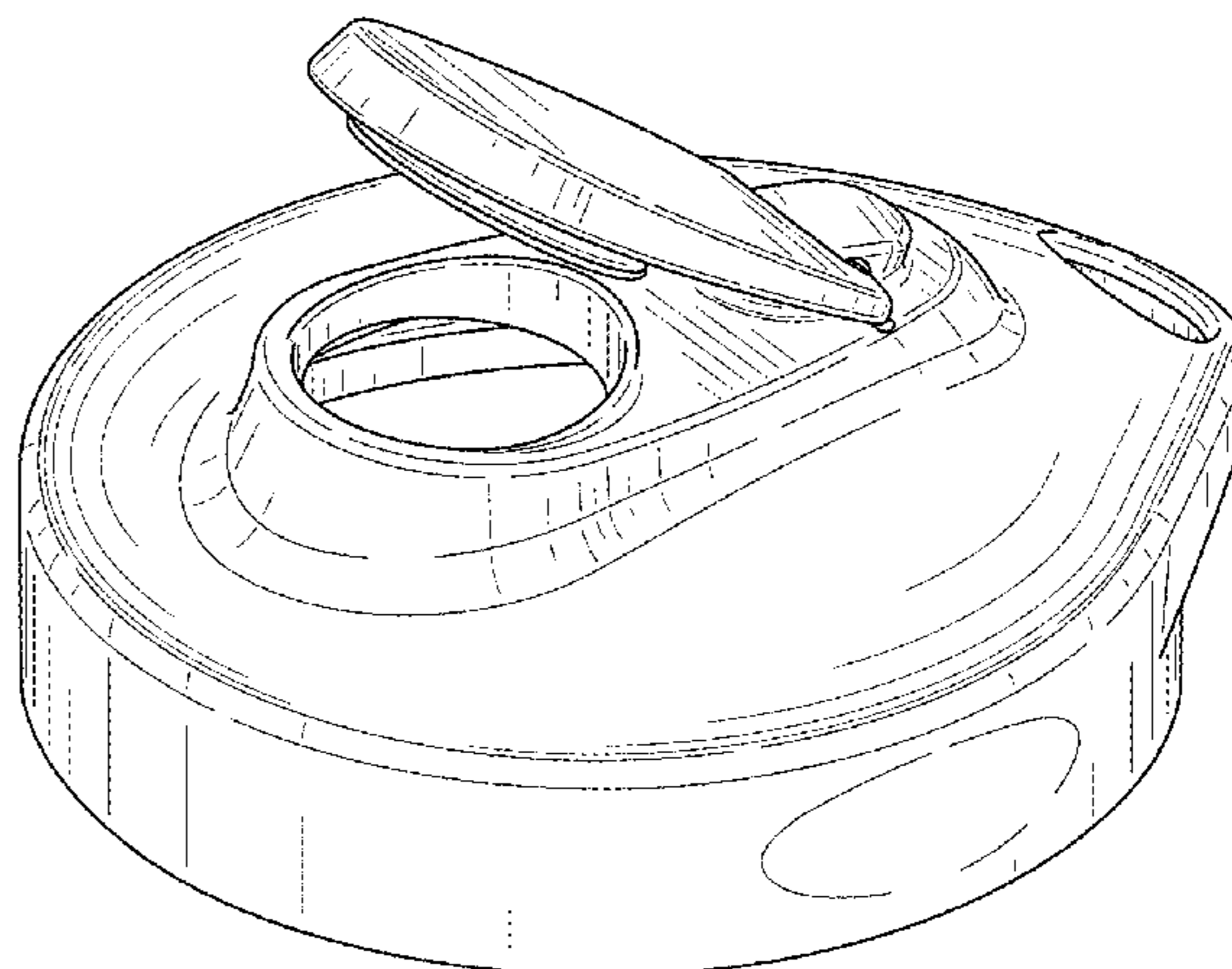
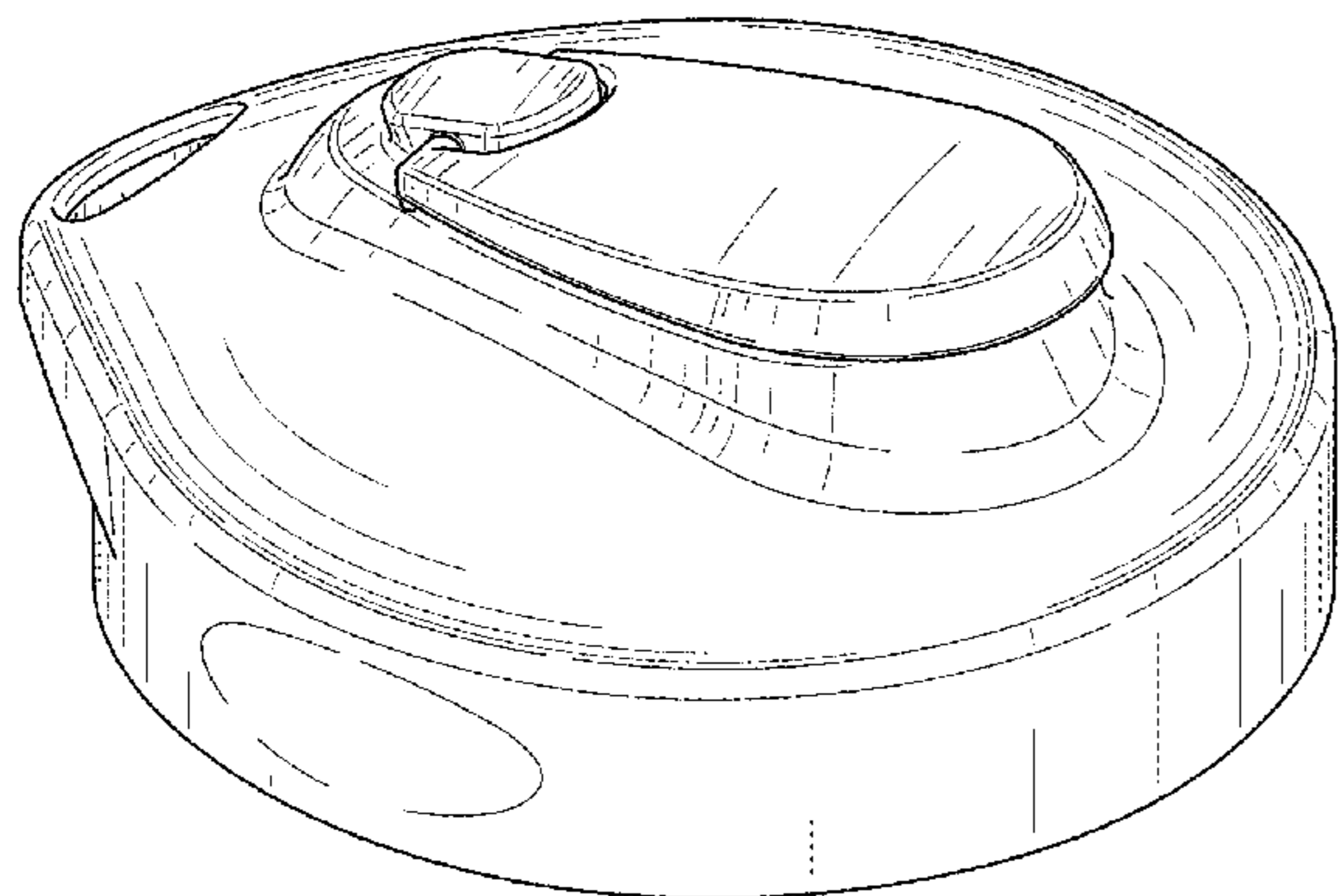
(57) **CLAIM**

The ornamental design for a mason jar lid, as shown and described.

**DESCRIPTION**

FIG. 1 is a top perspective view of a mason jar lid showing our new design in a closed position;  
FIG. 2 is a bottom perspective view thereof;  
FIG. 3 is a front elevation view thereof;  
FIG. 4 is a rear elevation view thereof;  
FIG. 5 is a right side elevation view thereof;  
FIG. 6 is a left side elevation view thereof;  
FIG. 7 is a top plan view thereof; and,  
FIG. 8 is a bottom plan view thereof.  
FIG. 9 is a top perspective view thereof showing our new design in an open position; and,  
FIG. 10 is a bottom perspective view thereof.

**1 Claim, 4 Drawing Sheets**



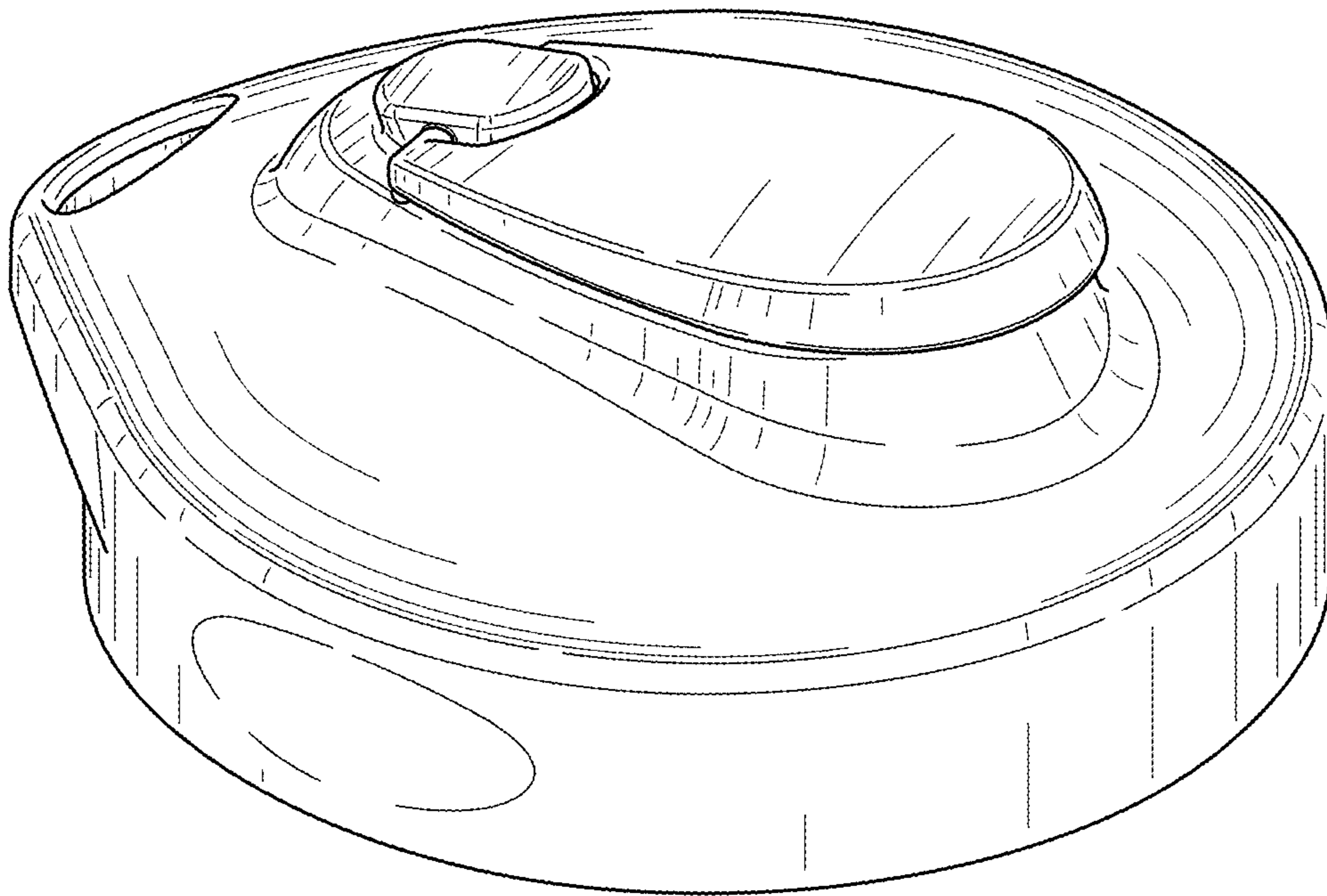


FIG. 1

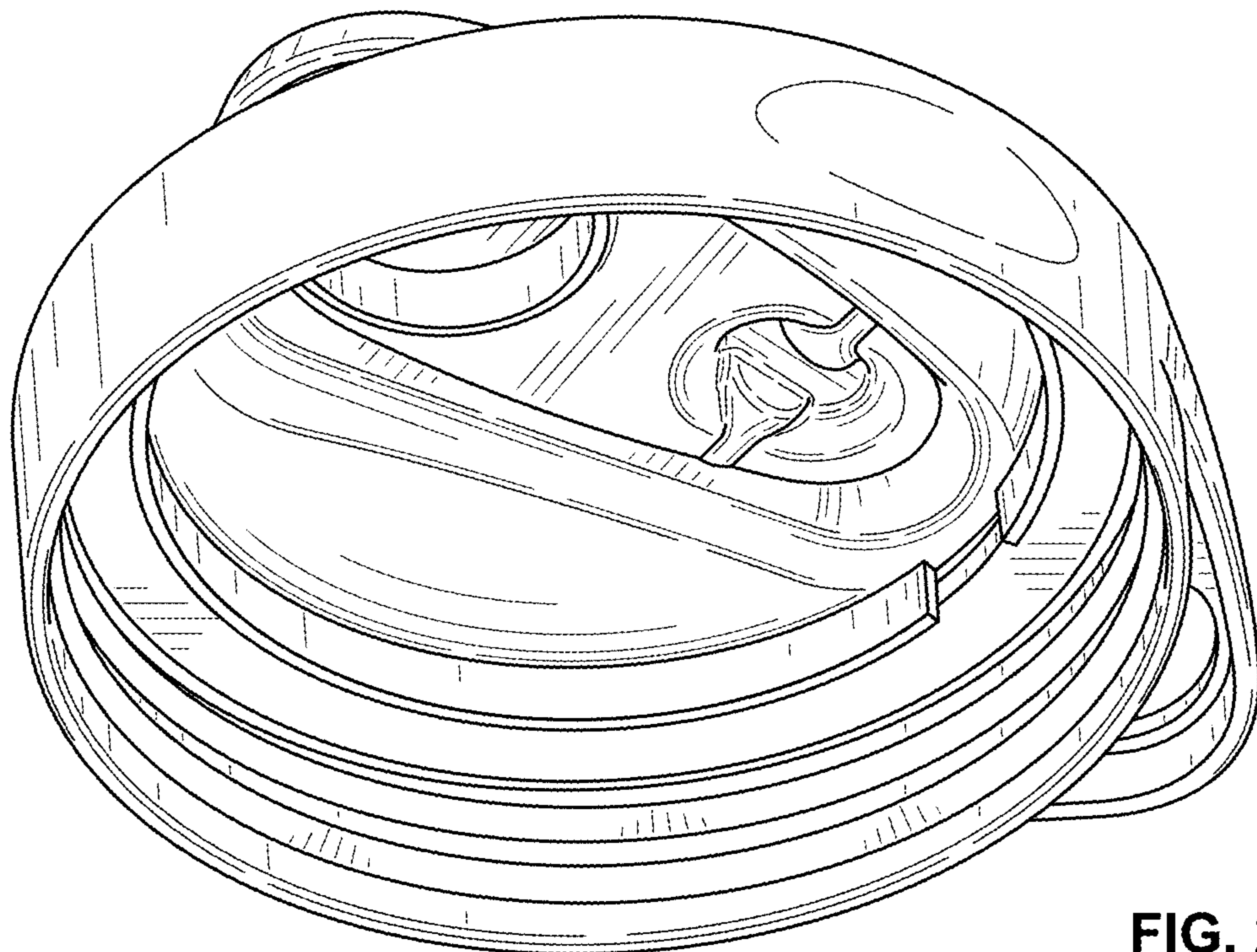


FIG. 2

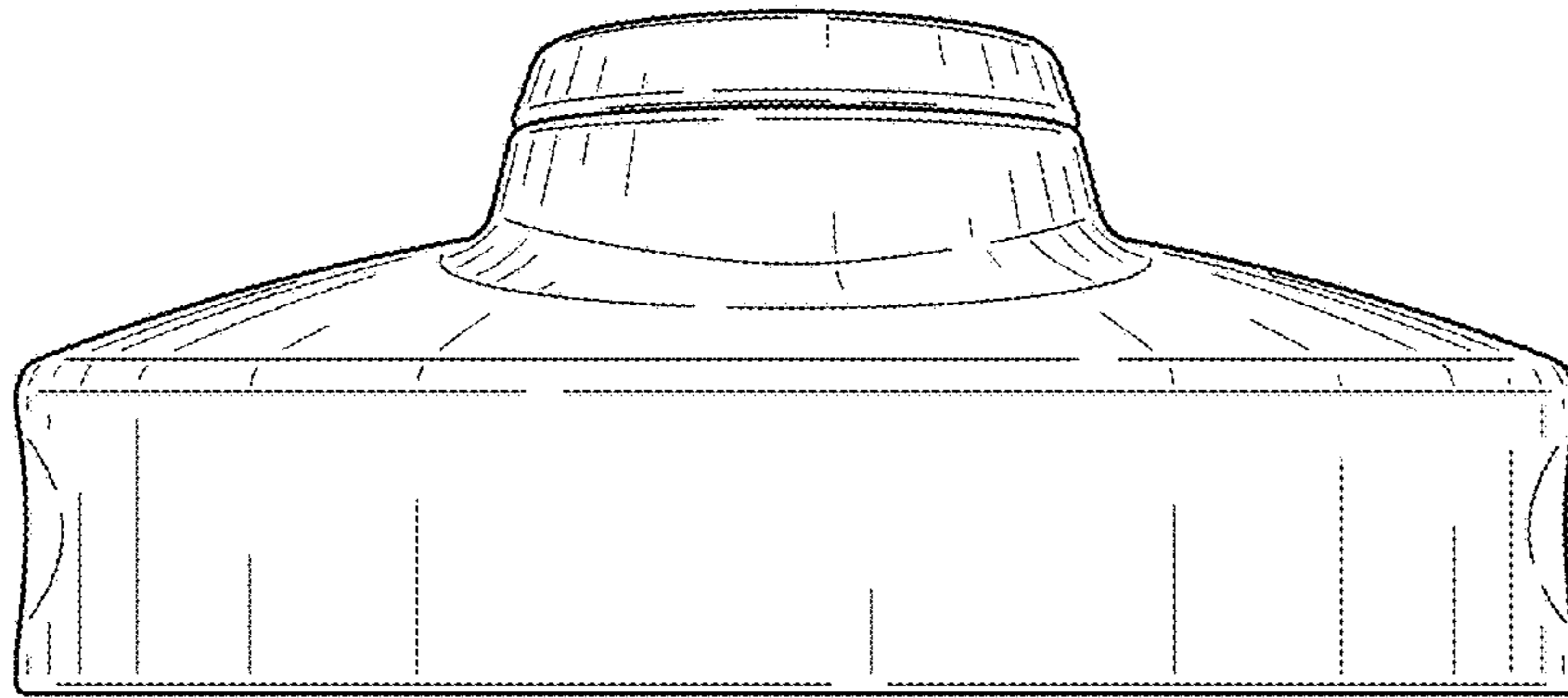


FIG. 3

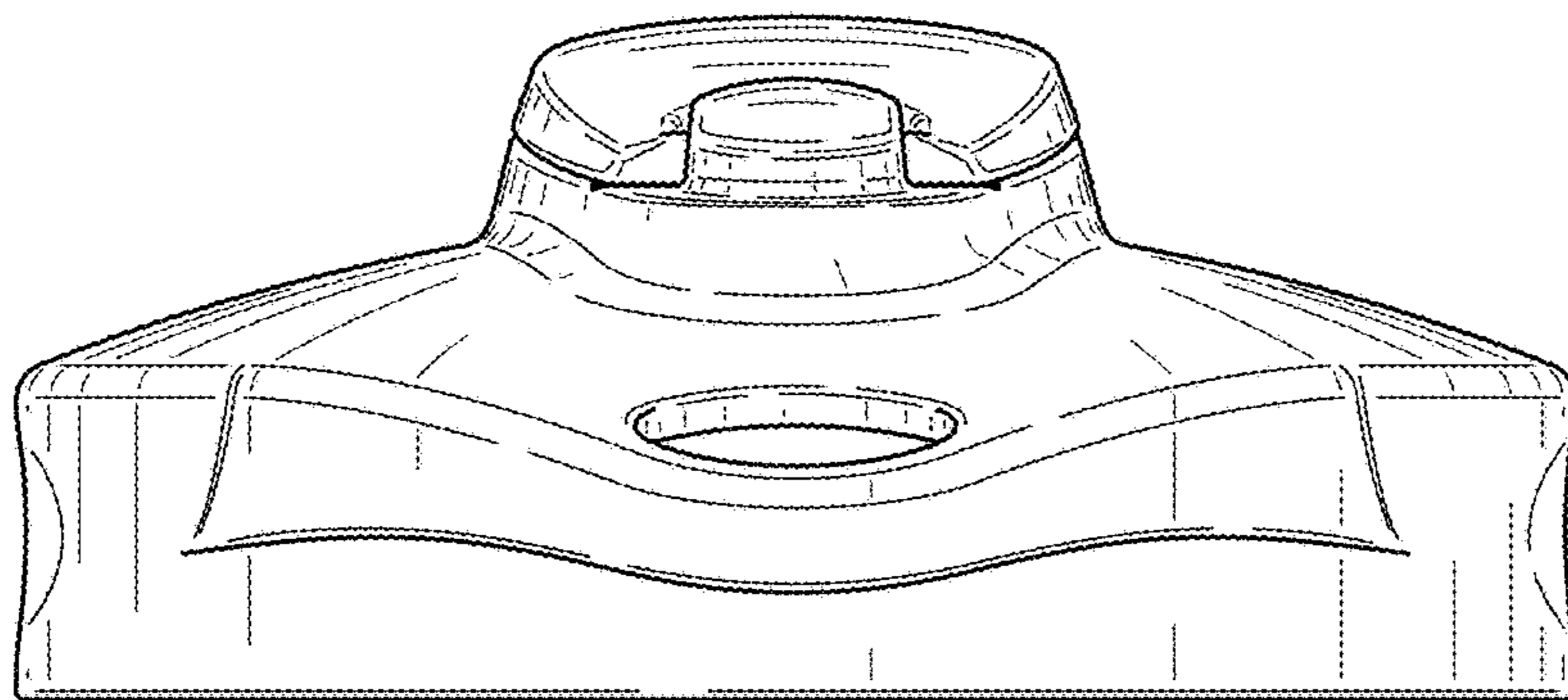


FIG. 4

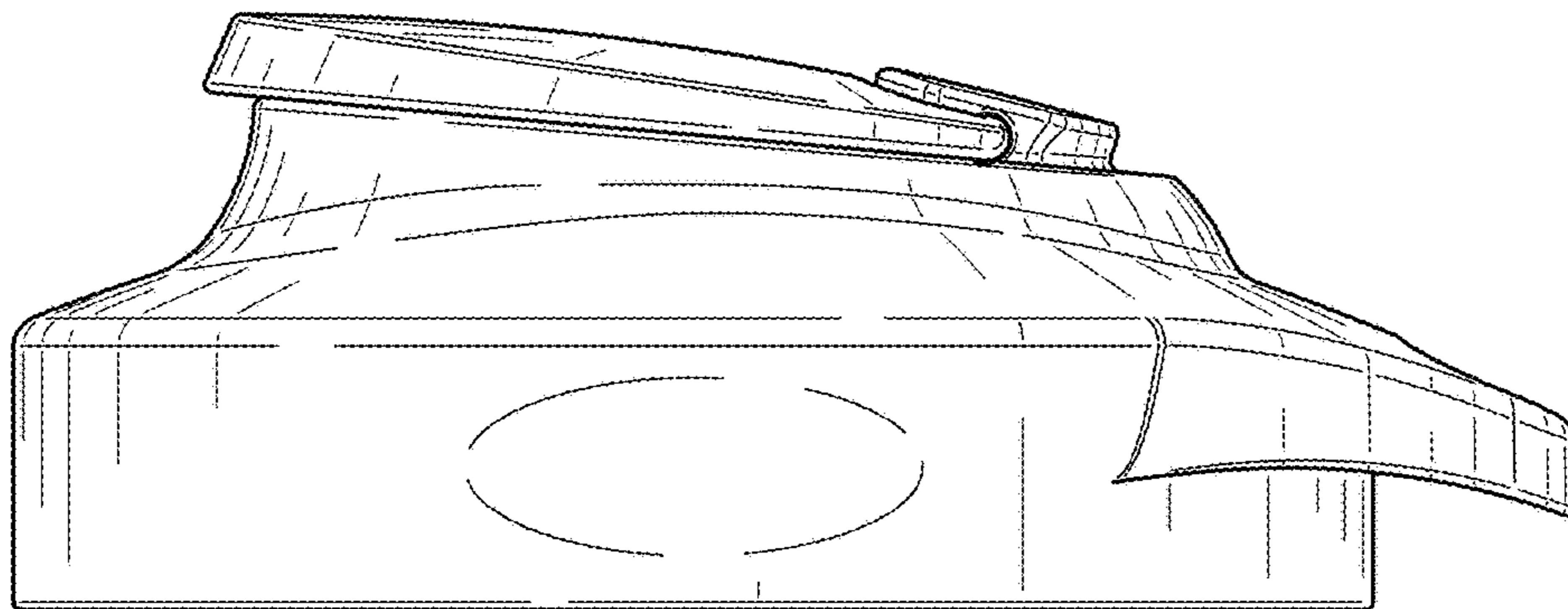


FIG. 5

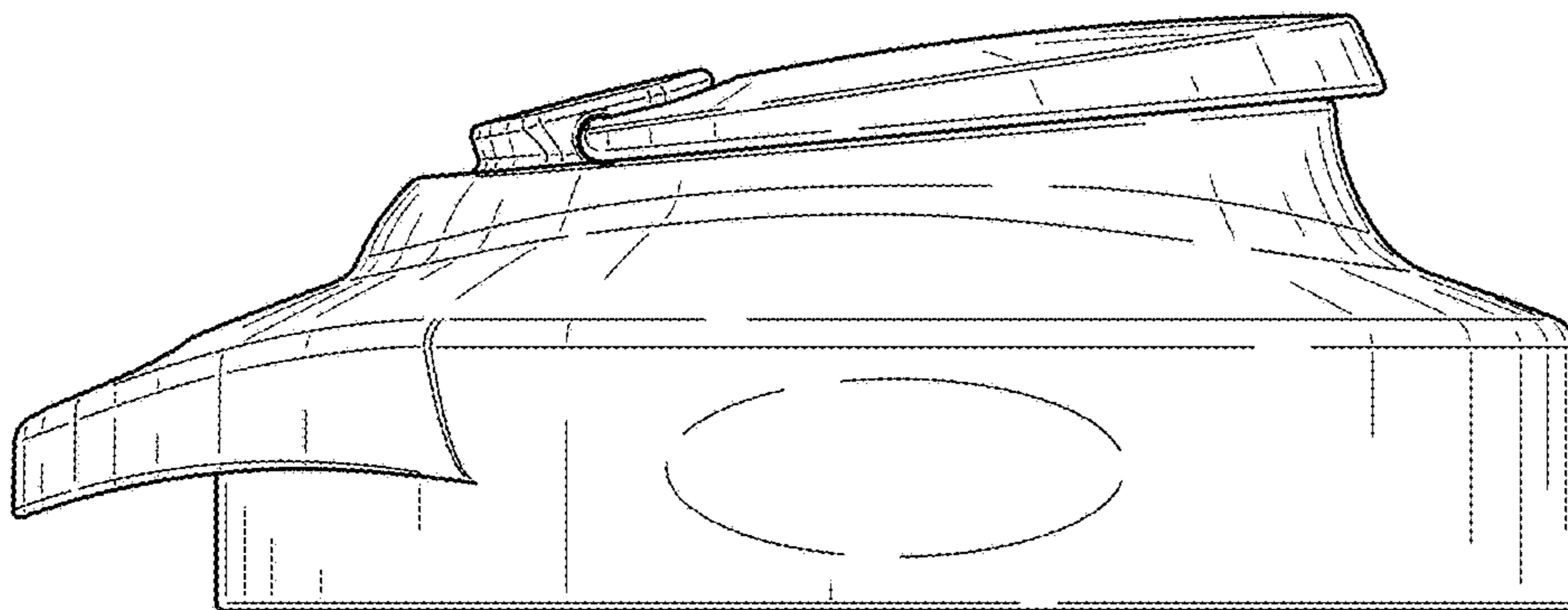


FIG. 6

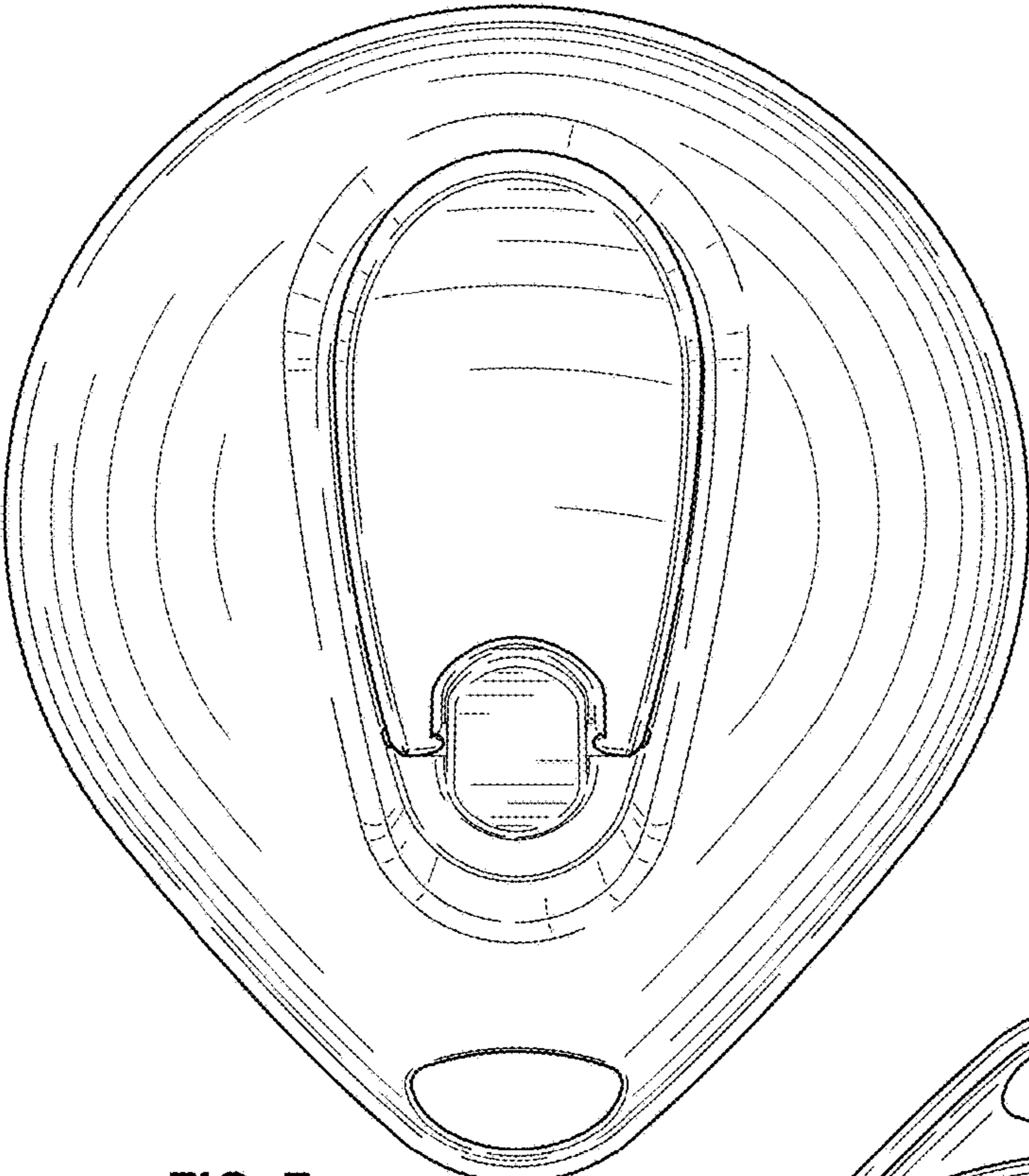


FIG. 7

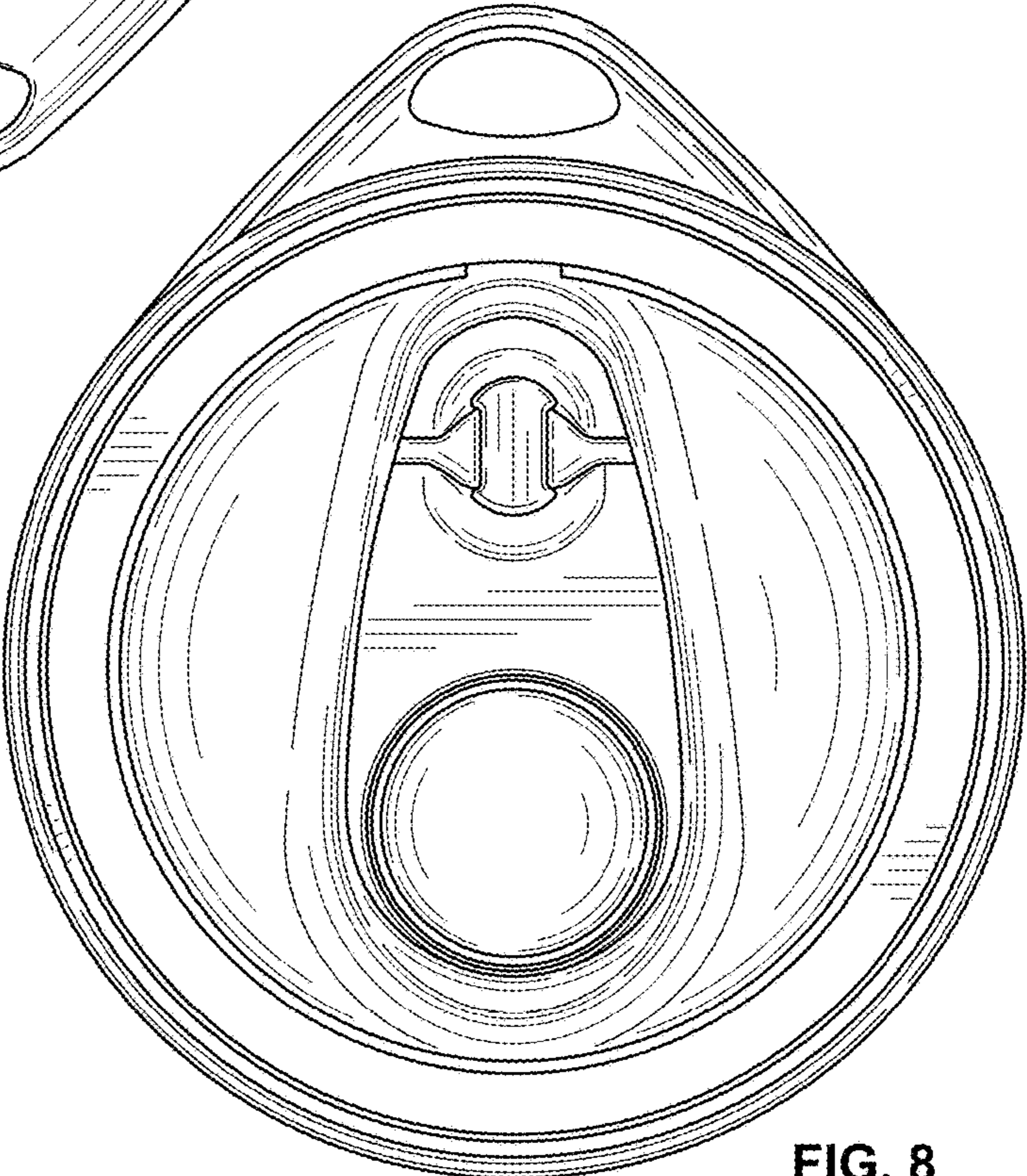


FIG. 8

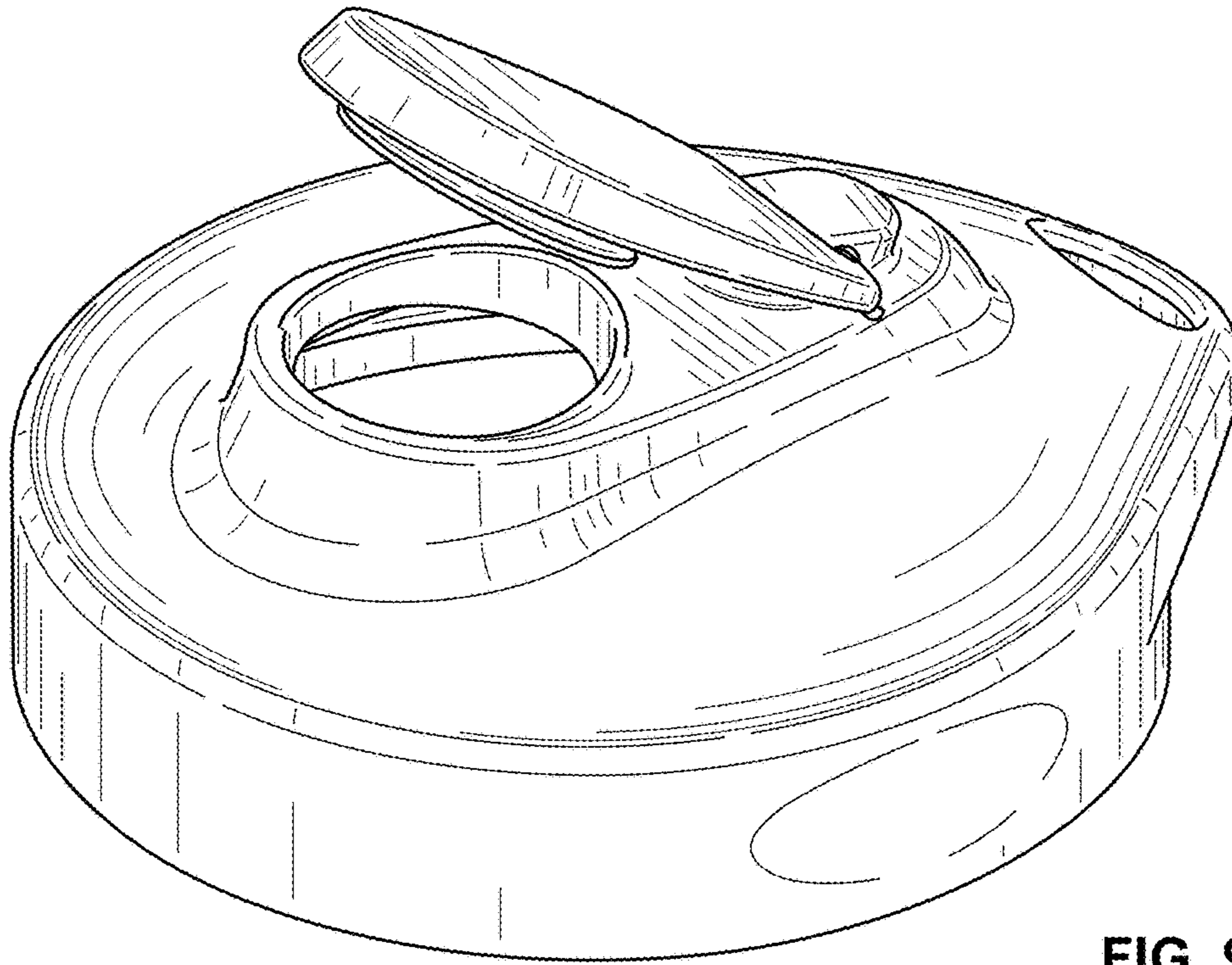


FIG. 9

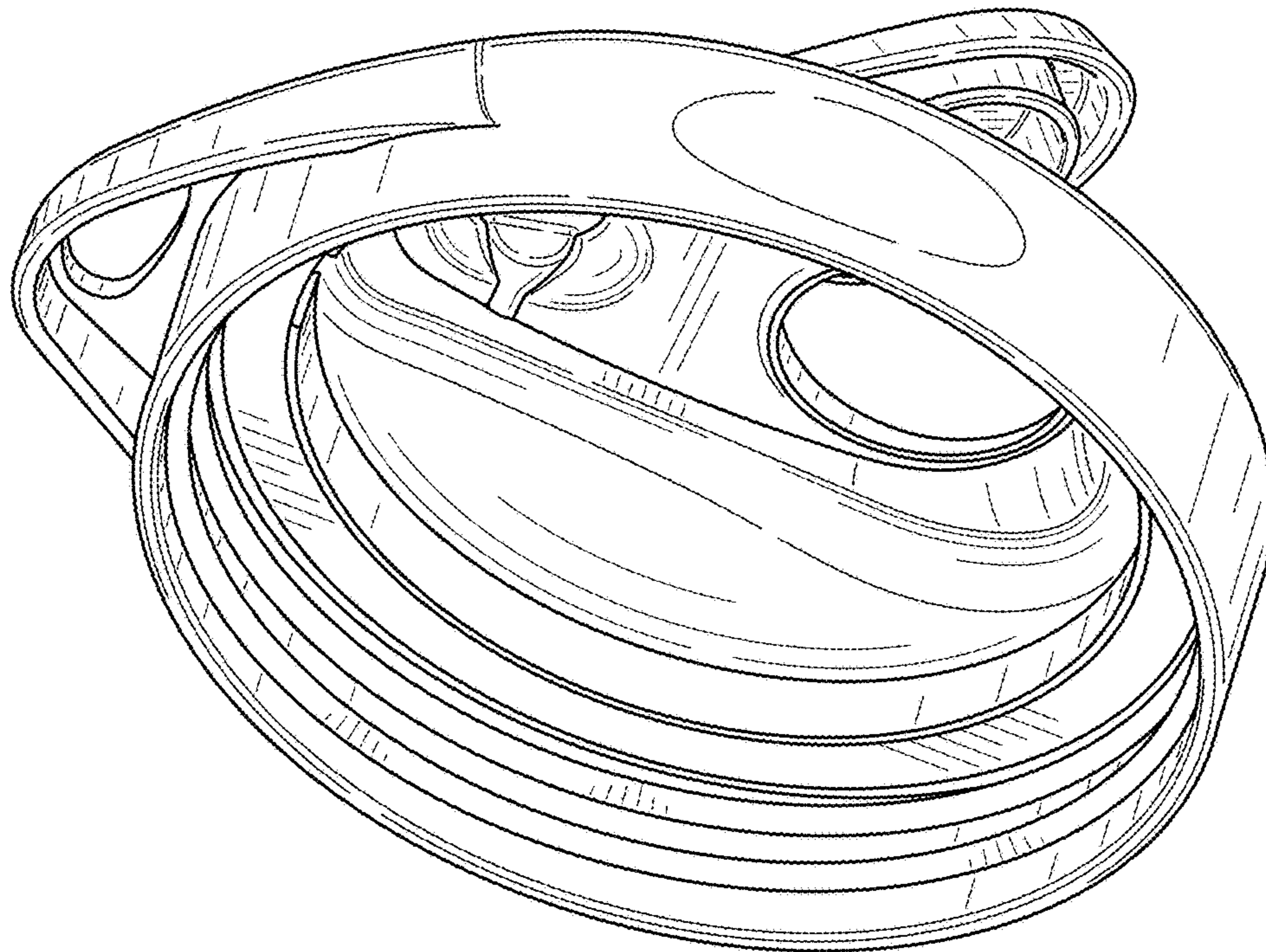


FIG. 10