



US00D826628S

(12) **United States Design Patent** (10) **Patent No.:** **US D826,628 S**
Bond et al. (45) **Date of Patent:** **** Aug. 28, 2018**

(54) **ICE SHAVER WITH SNOW CONE MAKER**

D663,992 S * 7/2012 Kauer D7/325
D677,969 S * 3/2013 Bond D7/325
D799,883 S * 10/2017 Bond D7/325
D802,981 S * 11/2017 Bond D7/325

(71) Applicant: **Nostalgia Products LLC**, Green Bay, WI (US)

(72) Inventors: **Gregg Bond**, Beverly Hills, CA (US);
Edward E. Boughton, Ventura, CA (US)

(73) Assignee: **NOSTALGIA PRODUCTS LLC**, Green Bay, WI (US)

(**) Term: **15 Years**

(21) Appl. No.: **29/595,734**

(22) Filed: **Mar. 1, 2017**

(51) **LOC (11) Cl.** **31-00**

(52) **U.S. Cl.**
USPC **D7/374**

(58) **Field of Classification Search**
USPC D7/316, 323, 325, 354, 368, 372-374,
D7/376, 378-384, 386-387, 390, 393,
D7/403, 412, 602, 626, 629, 624,
D7/665-666, 675, 679, 693-694
CPC . A23L 7/148; A23L 7/187; A21C 1/02; A21C
1/04; A47J 43/044

See application file for complete search history.

(56) **References Cited**

U.S. PATENT DOCUMENTS

D389,891 S * 1/1998 Kawasaki D21/811
D551,016 S * 9/2007 Bond D7/325
D552,405 S * 10/2007 Bond D7/325
D628,847 S * 12/2010 Liu D7/325
D632,123 S * 2/2011 Kauer D7/325
D645,292 S * 9/2011 Bond D7/325
D650,627 S * 12/2011 Kauer D7/325

OTHER PUBLICATIONS

Nostalgia Electrics RHP-310 Retro Series Mini Hot Air Popcorn Popper posted in 2015,[online], [retrived Apr. 6, 2018]. Retrived from internet: https://www.walgreens.com/store/c/nostalgia-electrics-rhp-310-retro-series-mini-hot-air-popcorn-popper/ID=prod6196176-product.*

* cited by examiner

Primary Examiner — Barbara Fox

Assistant Examiner — Mehri F Bajoul

(74) *Attorney, Agent, or Firm* — Womble Bond Dickinson (US) LLP

(57) **CLAIM**

The ornamental design for an ice shaver with snow cone maker, as shown and described.

DESCRIPTION

FIG. 1 is a front right side perspective view of an ice shaver with snow cone maker showing the new design.

FIG. 2 is a rear, bottom perspective thereof.

FIG. 3 is a front, elevation view thereof.

FIG. 4 is a rear, elevation view thereof.

FIG. 5 is a left side, elevation view thereof.

FIG. 6 is a right side, elevation view thereof.

FIG. 7 is a top, plan view thereof; and,

FIG. 8 is a bottom, plan view thereof.

The broken lines shown in the drawings depict portions of the ice shaver with snow cone maker that form no part of the claimed design.

1 Claim, 7 Drawing Sheets

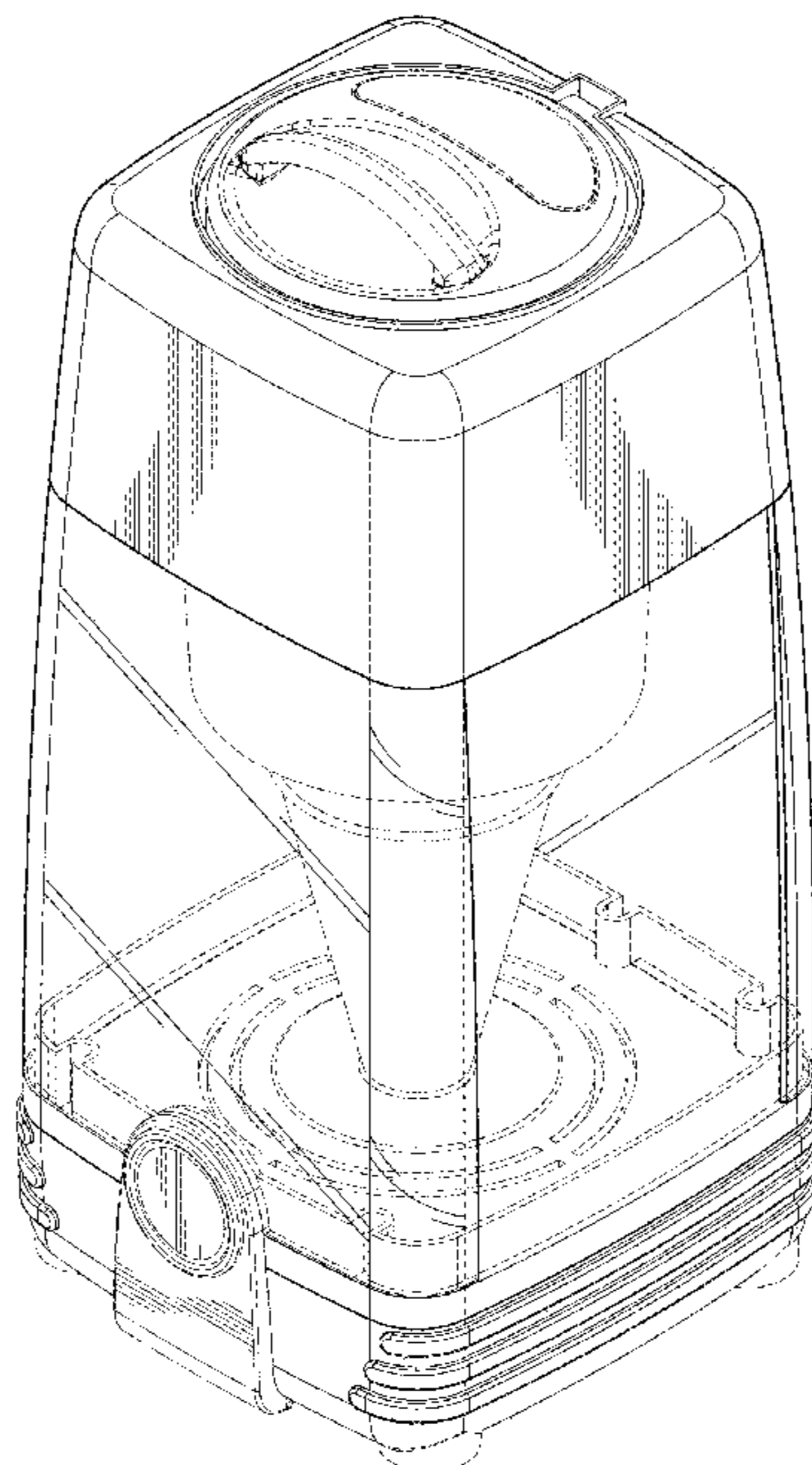


FIG. 1

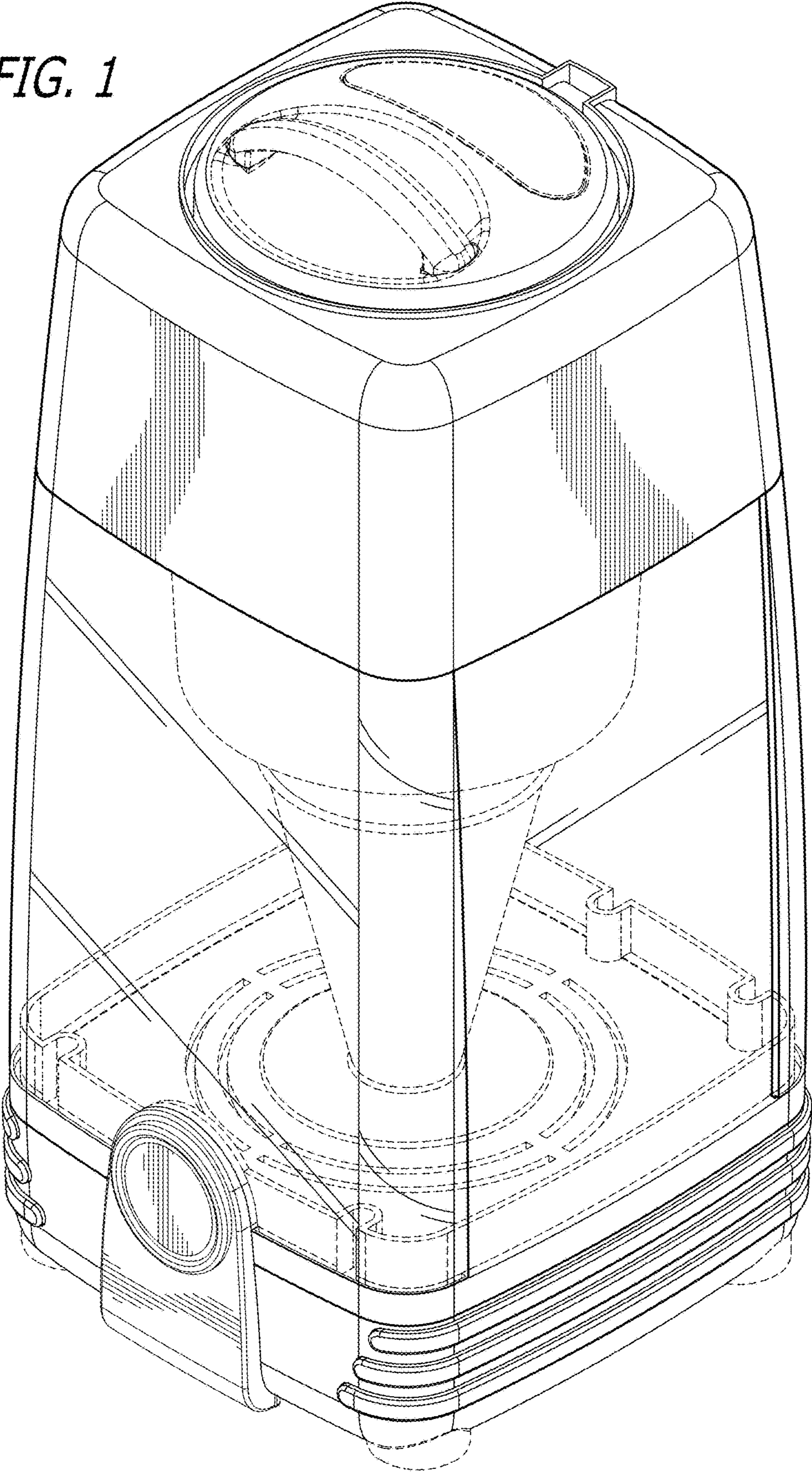


FIG. 2

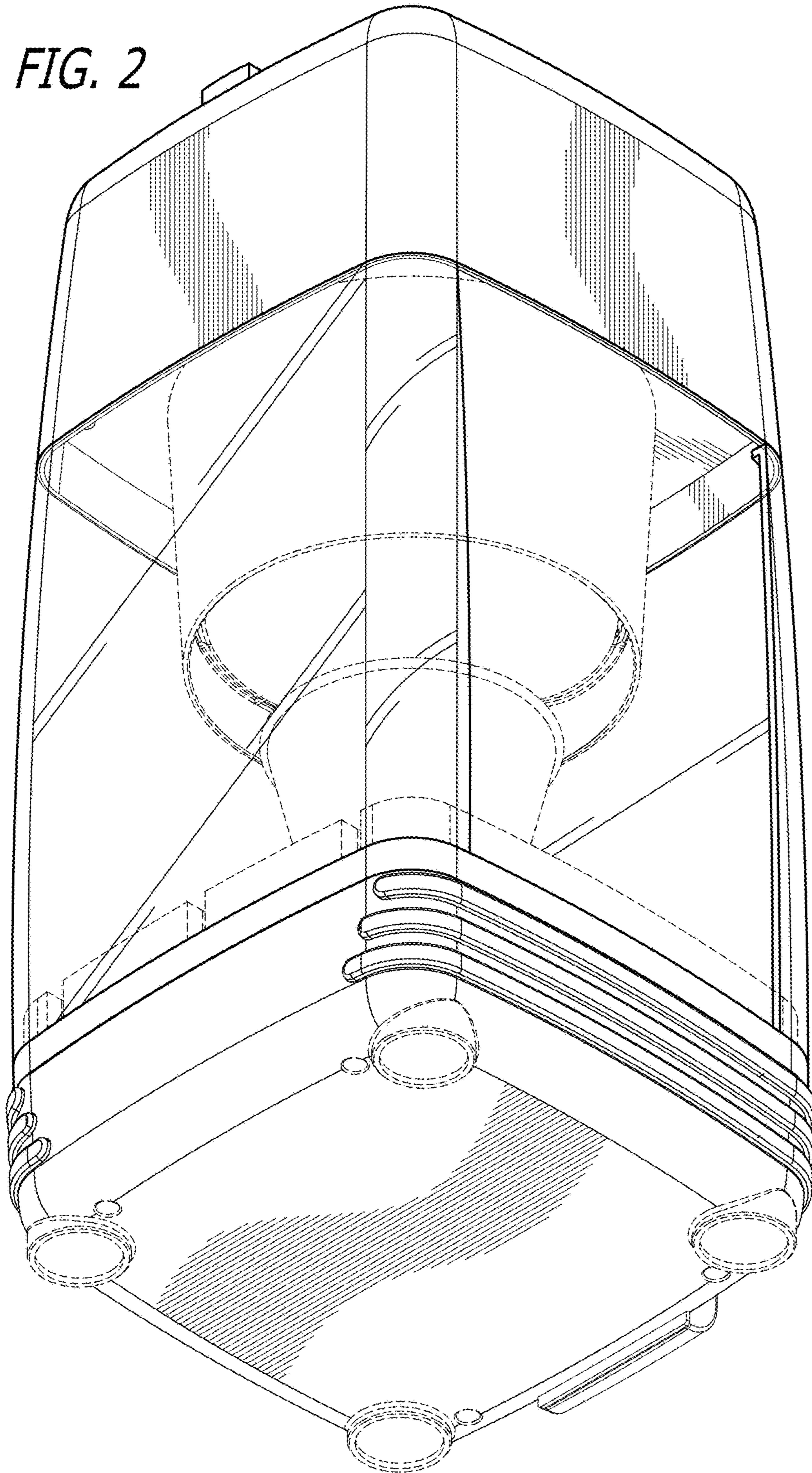


FIG. 3

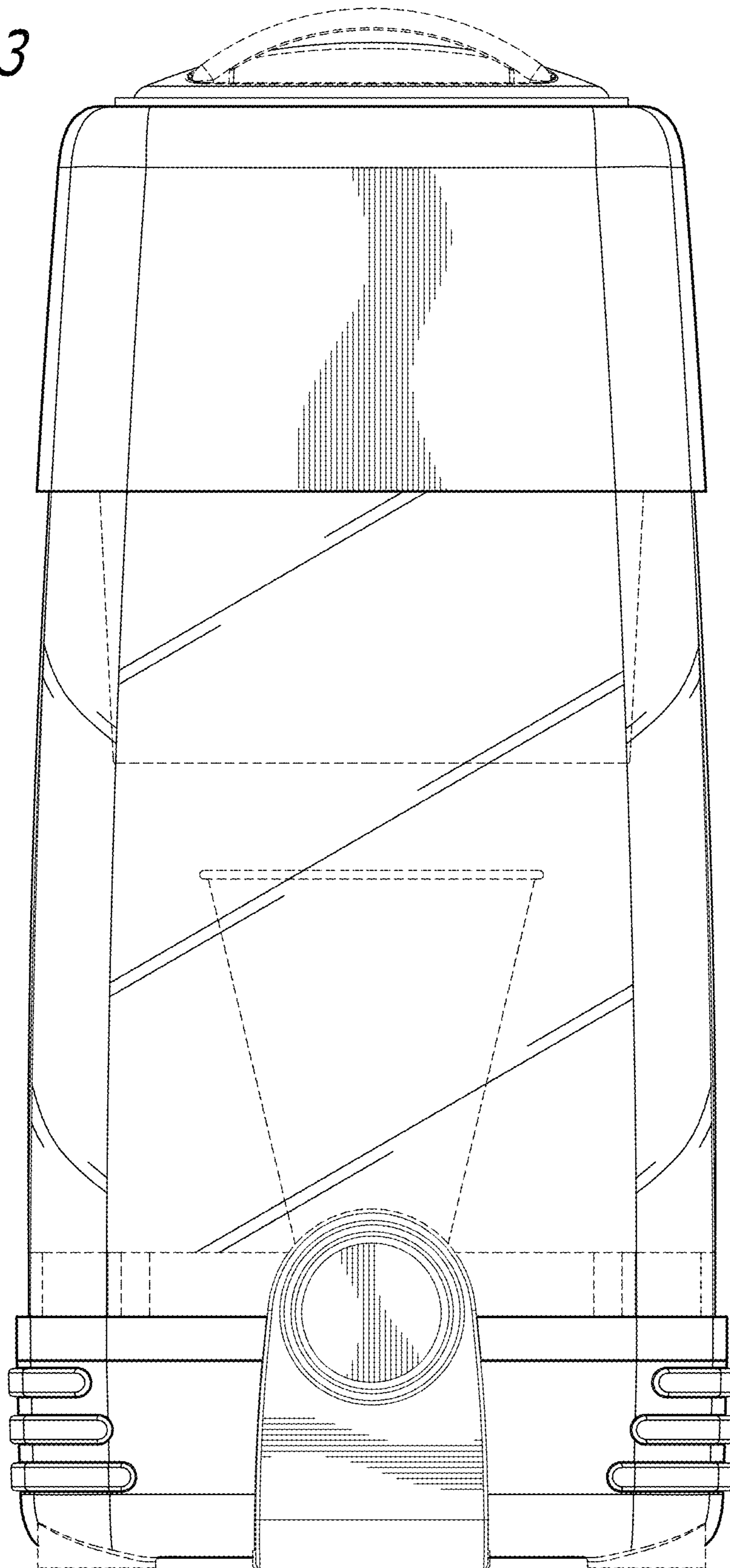
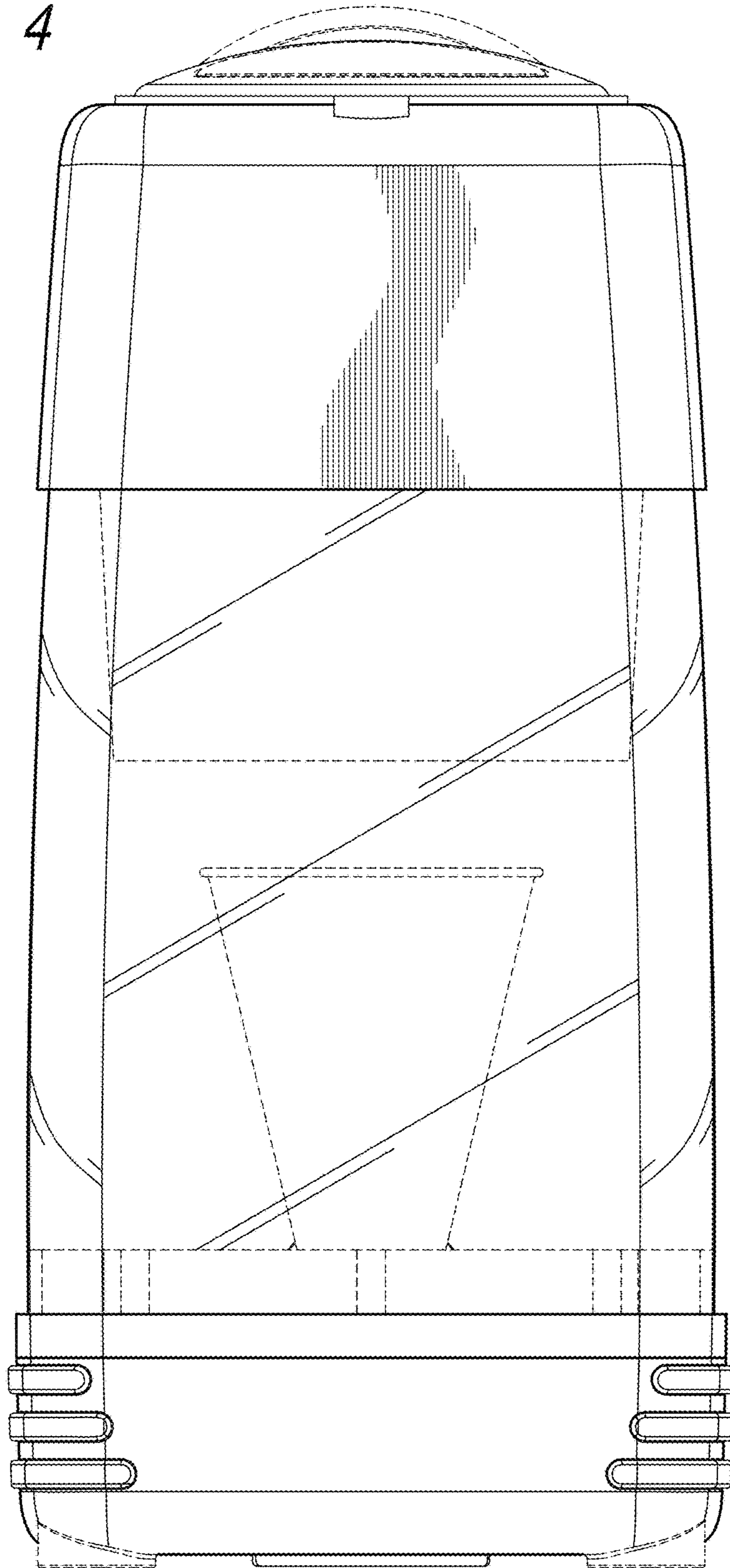


FIG. 4



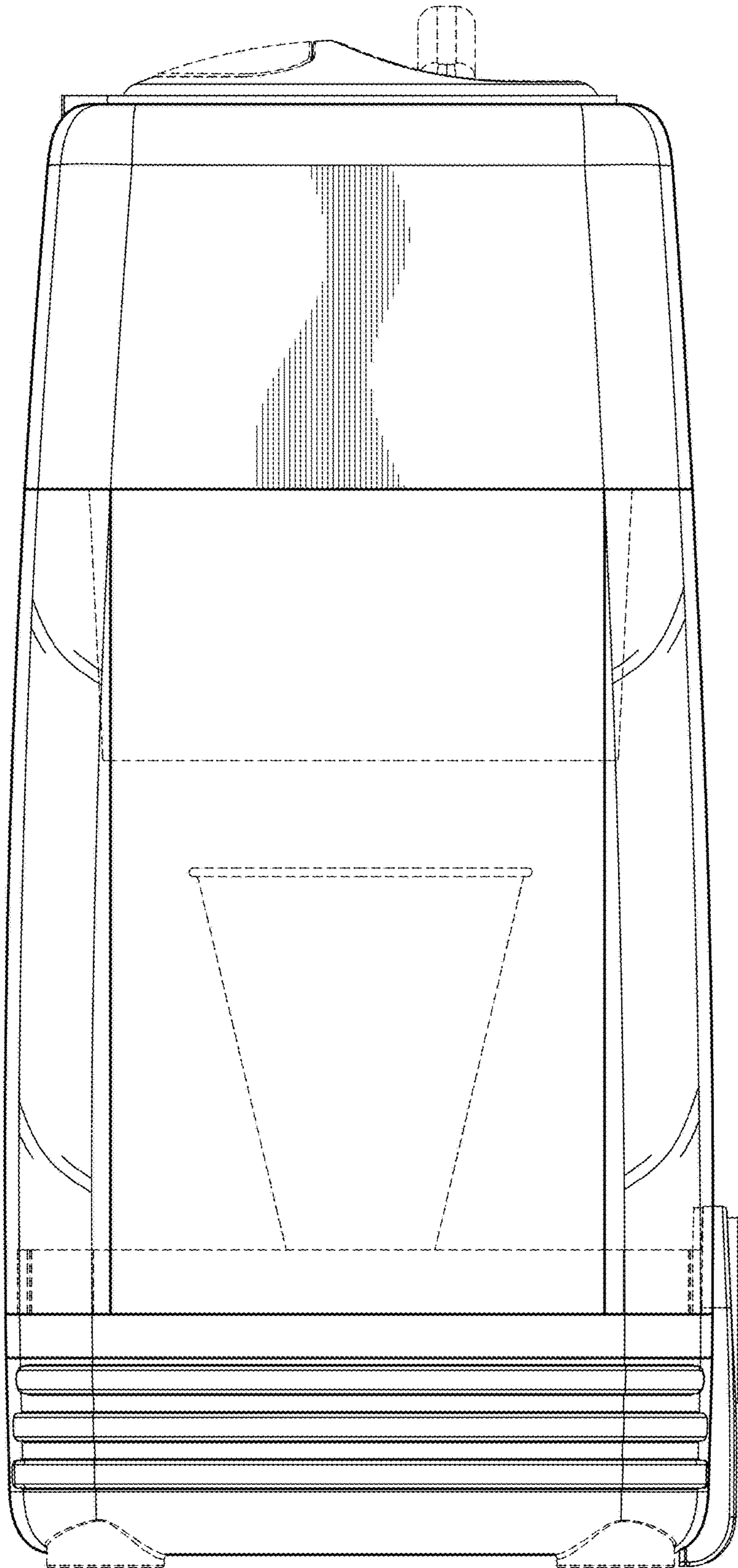
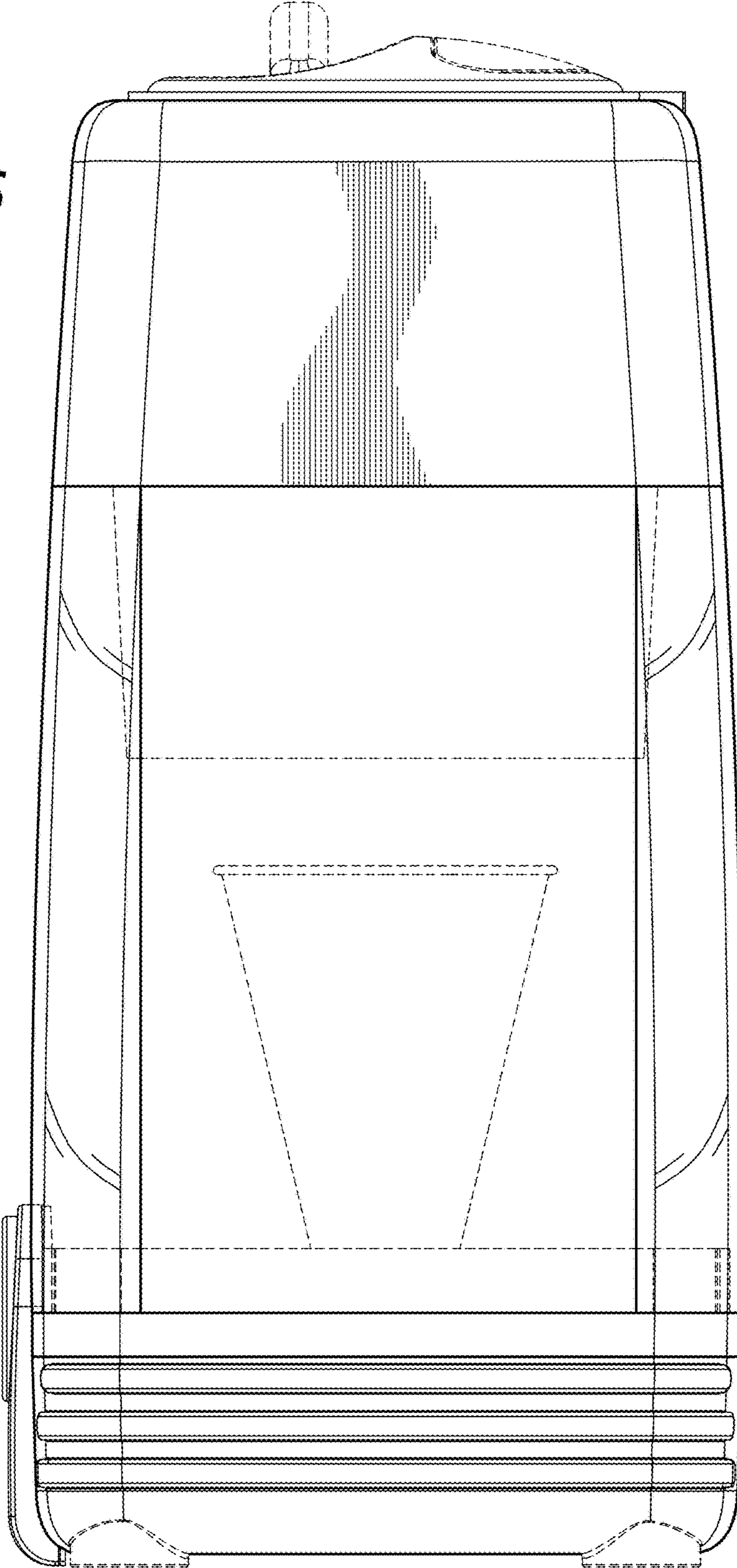


FIG. 5

FIG. 6



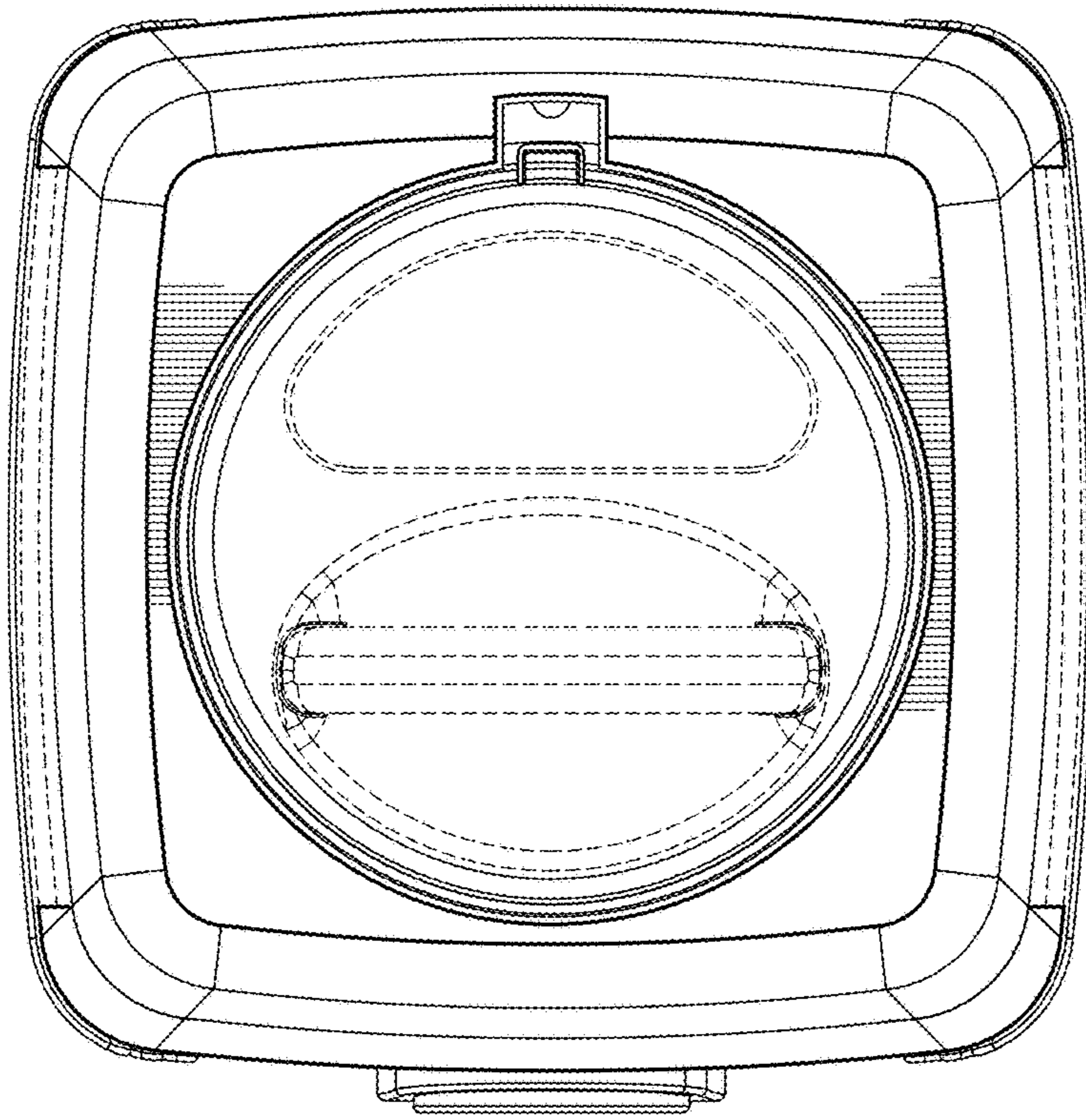


FIG. 7

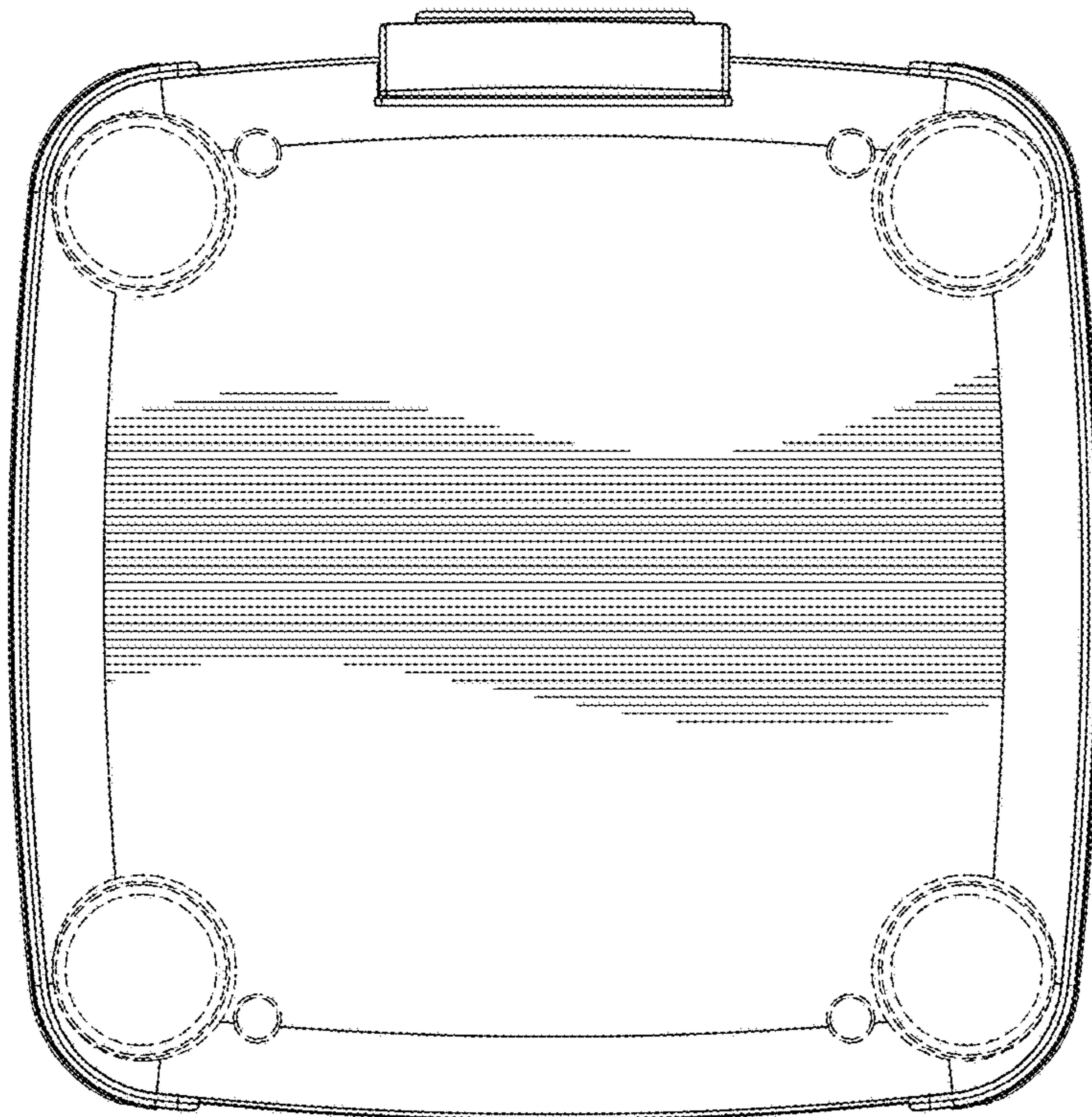


FIG. 8