



US00D826627S

(12) **United States Design Patent** (10) **Patent No.:** **US D826,627 S**  
**Lee** (45) **Date of Patent:** **\*\* Aug. 28, 2018**

(54) **HEATER CASE FOR A HEATING COOKER**

(56) **References Cited**

(71) Applicant: **ZAIGLE CO., LTD.**, Seoul (KR)

U.S. PATENT DOCUMENTS

(72) Inventor: **Jin Hee Lee**, Seoul (KR)

2,336,699 A \* 12/1943 Neth ..... A47J 36/04

220/315

(73) Assignee: **ZAIGLE CO., LTD.**, Seoul (KR)

3,682,365 A \* 8/1972 Reifers ..... B65D 1/34

217/26

(\*\*) Term: **15 Years**

D267,221 S \* 12/1982 Williams ..... 426/523

4,442,969 A \* 4/1984 Holden ..... B65D 1/34

220/608

(21) Appl. No.: **29/613,442**

D280,489 S \* 9/1985 Holden ..... D9/425

D289,844 S \* 5/1987 Daenen ..... D7/354

(22) Filed: **Aug. 10, 2017**

D293,999 S \* 2/1988 Grindrod ..... D7/354

D377,451 S \* 1/1997 Gumowitz ..... D7/354

(30) **Foreign Application Priority Data**

D392,884 S \* 3/1998 Hayes ..... D9/431

D493,100 S \* 7/2004 Nebesnak ..... D8/389

Feb. 15, 2017 (KR) ..... 30-2017-0006986

D562,154 S \* 2/2008 Pelletier ..... D9/425

D623,008 S \* 9/2010 Sarnoff ..... D7/354

D653,904 S \* 2/2012 Lee ..... D7/362

(51) **LOC (11) Cl.** ..... **07-02**

\* cited by examiner

(52) **U.S. Cl.**

USPC ..... **D7/362**; D7/352; D7/409

*Primary Examiner* — Ricky Pham

(58) **Field of Classification Search**

(74) *Attorney, Agent, or Firm* — Kile Park Reed & Houtteman PLLC

USPC ..... D7/323, 332, 335–337, 354–355,

D7/359–364, 387–388, 402, 407–409;

D8/389; D9/425, 431, 432, 781

CPC .... A21B 2/00; A21B 3/00; A21B 3/13; A21B

3/15; A21B 5/00; A21B 5/02; A23N

12/06; A23N 12/08; A23N 12/10; A47J

36/04; A47J 37/00; A47J 37/04; A47J

37/041; A47J 37/042; A47J 37/06; A47J

37/0688; A47J 37/0694; A47J 37/07;

A47J 37/0704; A47J 37/10; A47J 47/20;

A47J 2037/00; A47J 2037/06; A47J

2037/0611; A47J 2037/07; A47J

2037/0786; A47J 2037/0795; B65D 1/34;

F24C 15/10; F24C 15/12; F24C 15/14;

F24C 15/16; F24C 15/164; F24C 15/18

See application file for complete search history.

(57) **CLAIM**

I claim, the ornamental design for a heater case for a heating cooker, as shown and described.

**DESCRIPTION**

FIG. 1 is a top and front perspective view of a heater case for a heating cooker, showing my new design;

FIG. 2 is a front view thereof;

FIG. 3 is a rear view thereof;

FIG. 4 is a left side view thereof;

FIG. 5 is a right side view thereof;

FIG. 6 is a top view thereof; and,

FIG. 7 is a bottom view thereof.

**1 Claim, 5 Drawing Sheets**

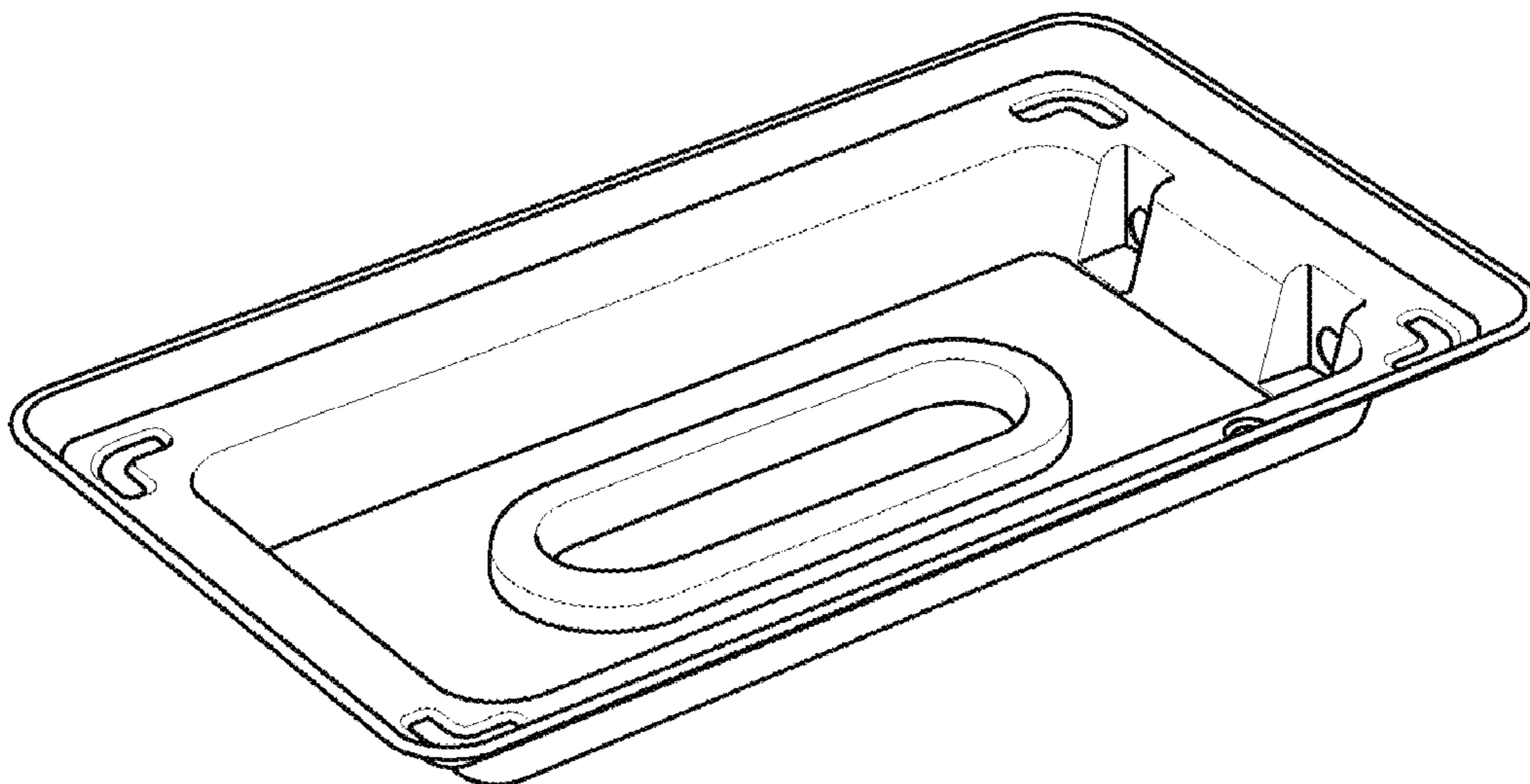


FIG. 1

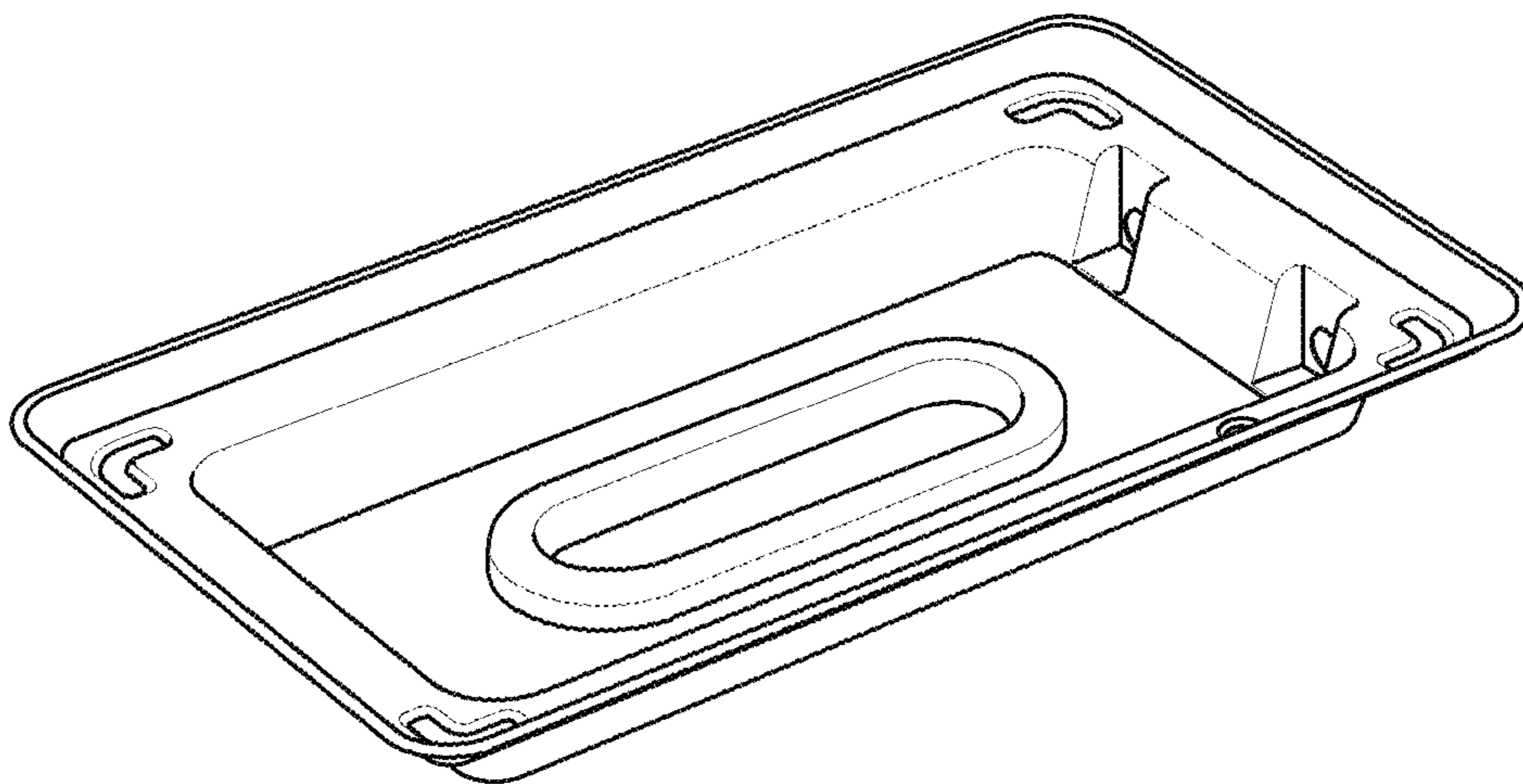


FIG. 2

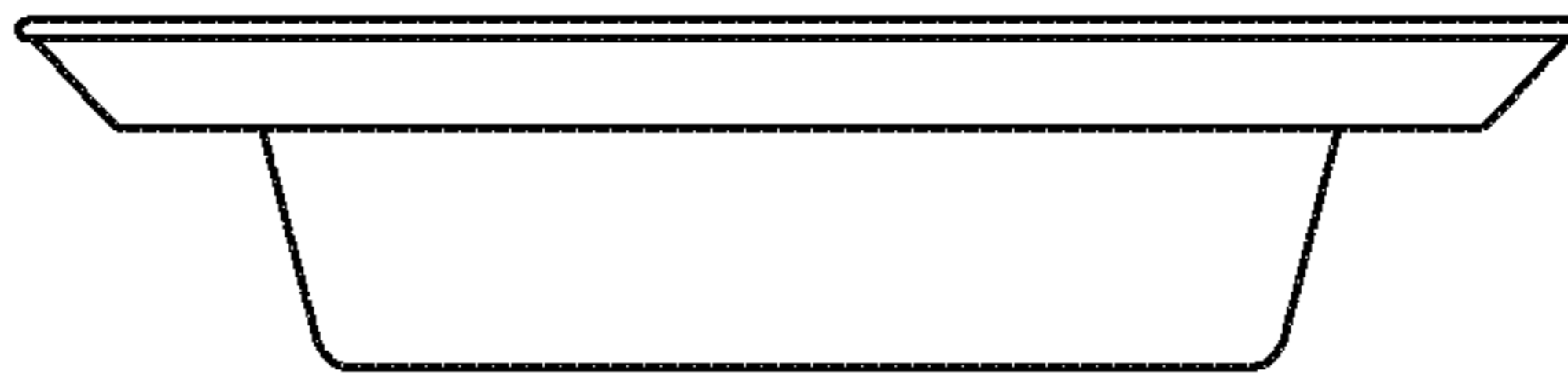


FIG. 3

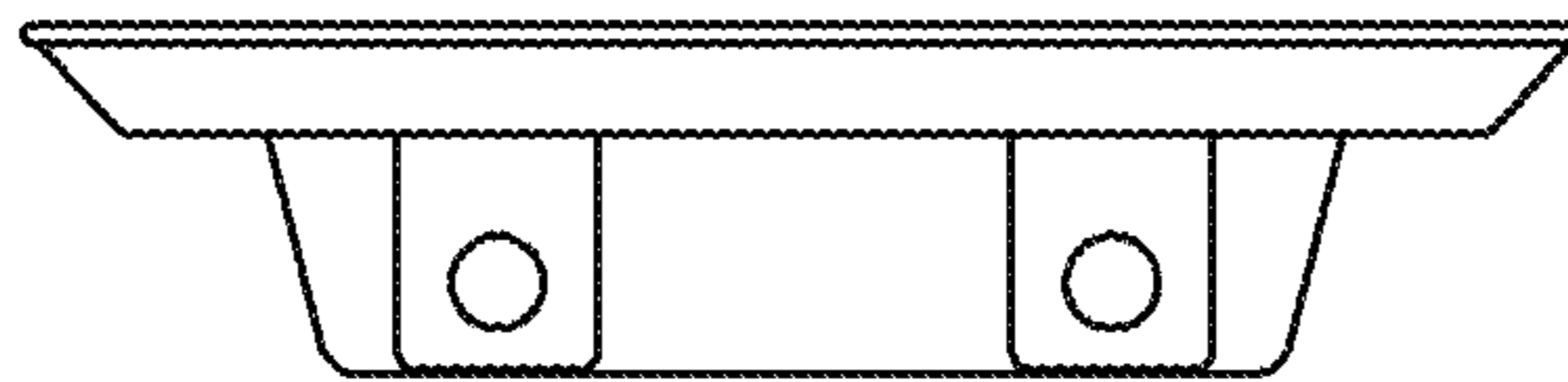


FIG. 4

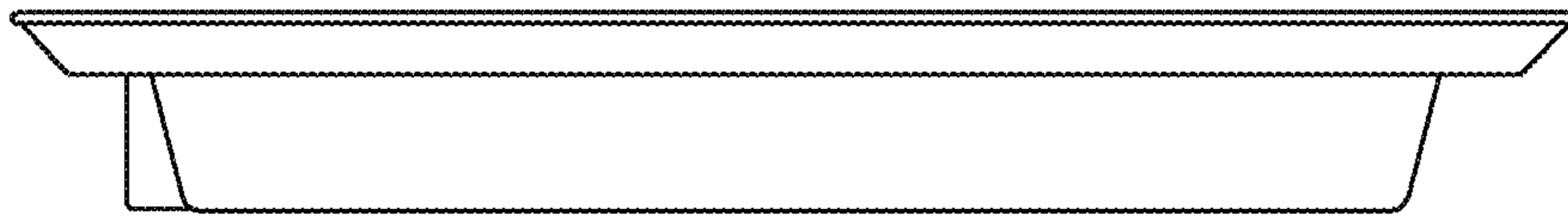


FIG. 5

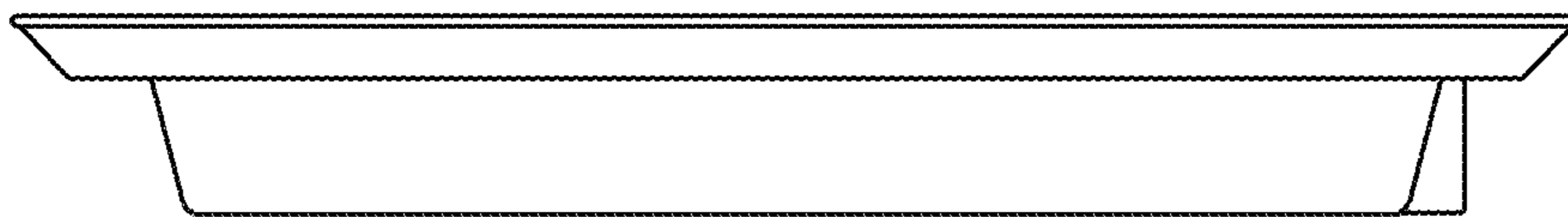


FIG. 6

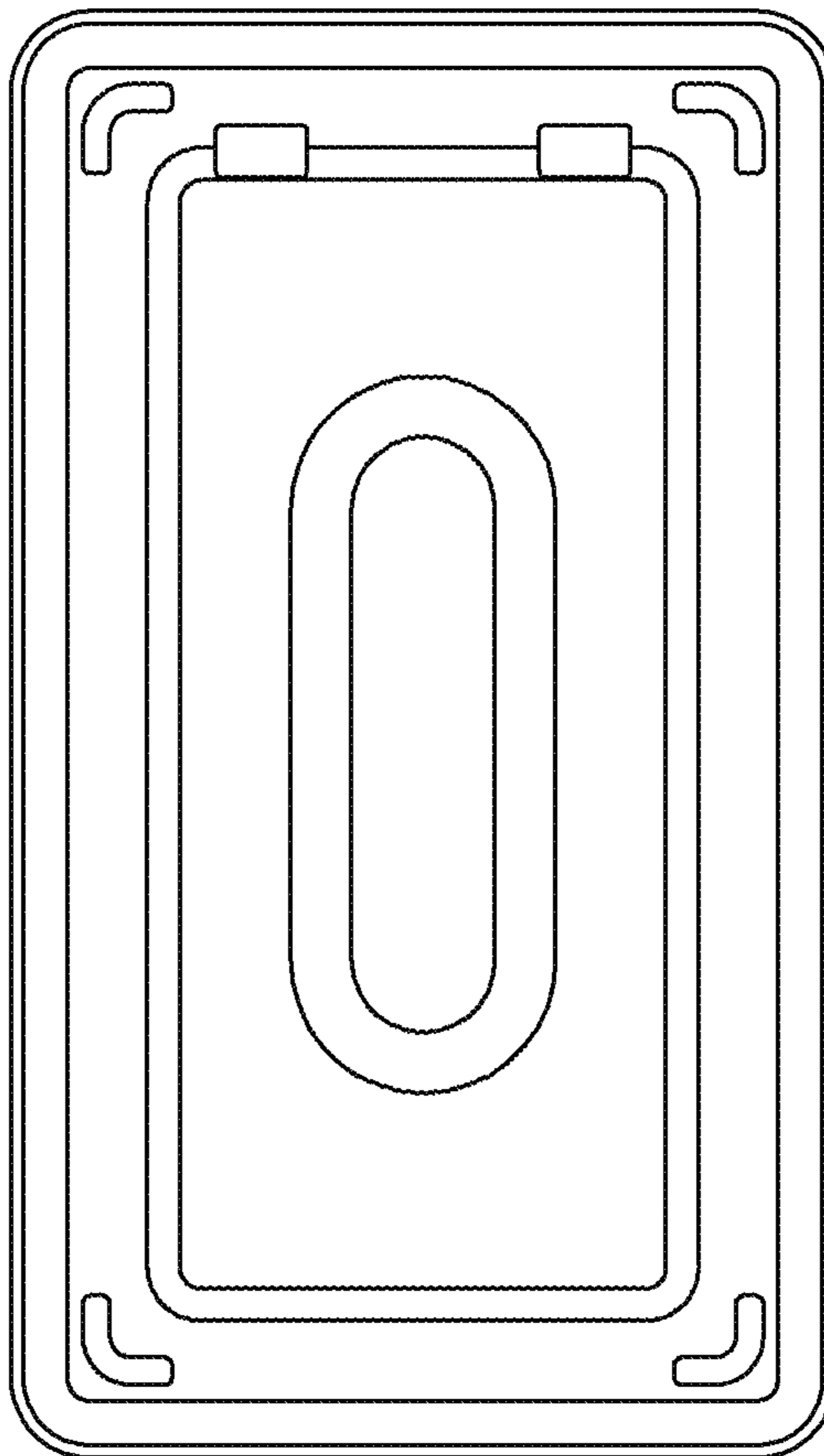


FIG. 7

