



US00D826625S

(12) **United States Design Patent** (10) **Patent No.:** **US D826,625 S**
Lee (45) **Date of Patent:** **** Aug. 28, 2018**

(54) **COOKING PAN FOR USE IN HEATING COOKERS**

(71) Applicant: **ZAIGLE CO., LTD.**, Seoul (KR)

(72) Inventor: **Jin Hee Lee**, Seoul (KR)

(73) Assignee: **ZAIGLE CO., LTD.**, Seoul (KR)

(**) Term: **15 Years**

(21) Appl. No.: **29/613,438**

(22) Filed: **Aug. 10, 2017**

(30) **Foreign Application Priority Data**

Feb. 15, 2017 (KR) 30-2017-0006984

(51) **LOC (11) Cl.** **07-02**

(52) **U.S. Cl.**
USPC **D7/362; D7/352; D7/409**

(58) **Field of Classification Search**

USPC D7/323, 332, 335-337, 354-355,
D7/359-364, 387-388, 402, 407-409,
D7/554.1, 554.3; D30/129

CPC A21B 2/00; A21B 3/00; A21B 3/13; A21B
3/15; A21B 5/00; A21B 5/02; A23N
12/06; A23N 12/08; A23N 12/10; A47J
37/00; A47J 37/04; A47J 37/041; A47J
37/042; A47J 37/06; A47J 37/067; A47J
37/0688; A47J 37/0694; A47J 37/07;
A47J 37/0704; A47J 37/10; A47J 47/20;
A47J 2037/00; A47J 2037/06; A47J
2037/0611; A47J 2037/07; A47J
2037/0786; A47J 2037/0795; F24C 15/10;
F24C 15/12; F24C 15/14; F24C 15/16;
F24C 15/164; F24C 15/18

See application file for complete search history.

(56) **References Cited**

U.S. PATENT DOCUMENTS

| | | | | | |
|-----------|------|---------|------------|-------|-----------------------|
| 344,193 | A * | 6/1886 | Mitchell | | A47J 37/10 99/422 |
| D195,683 | S * | 7/1963 | Quistgaard | | D7/554.1 |
| D226,285 | S * | 2/1973 | Bateman | | D7/554.3 |
| D417,124 | S * | 11/1999 | Chen | | 211/60.1 |
| D461,995 | S * | 8/2002 | Massaloux | | D7/545 |
| D491,320 | S * | 6/2004 | Cole | | D30/129 |
| D558,520 | S * | 1/2008 | Raichlen | | D7/409 |
| 7,647,866 | B2 * | 1/2010 | Button | | A47J 37/067 99/339 |
| D688,087 | S * | 8/2013 | Lee | | D7/362 |
| D688,090 | S * | 8/2013 | Lee | | D7/362 |
| D710,143 | S * | 8/2014 | Lee | | D7/362 |
| D764,223 | S * | 8/2016 | Lee | | D7/352 |
| D768,428 | S * | 10/2016 | Lee | | D7/352 |

* cited by examiner

Primary Examiner — Ricky Pham

(74) *Attorney, Agent, or Firm* — Kile Park Reed & Houtteman PLLC

(57) **CLAIM**

I claim, the ornamental design for a cooking pan for use in heating cookers, as shown and described.

DESCRIPTION

FIG. 1 is a top and front perspective view of a cooking pan for use in heating cookers, showing my new design;
FIG. 2 is a front view thereof;
FIG. 3 is a rear view thereof;
FIG. 4 is a left side view thereof;
FIG. 5 is a right side view thereof;
FIG. 6 is a top view thereof; and,
FIG. 7 is a bottom view thereof.

1 Claim, 5 Drawing Sheets

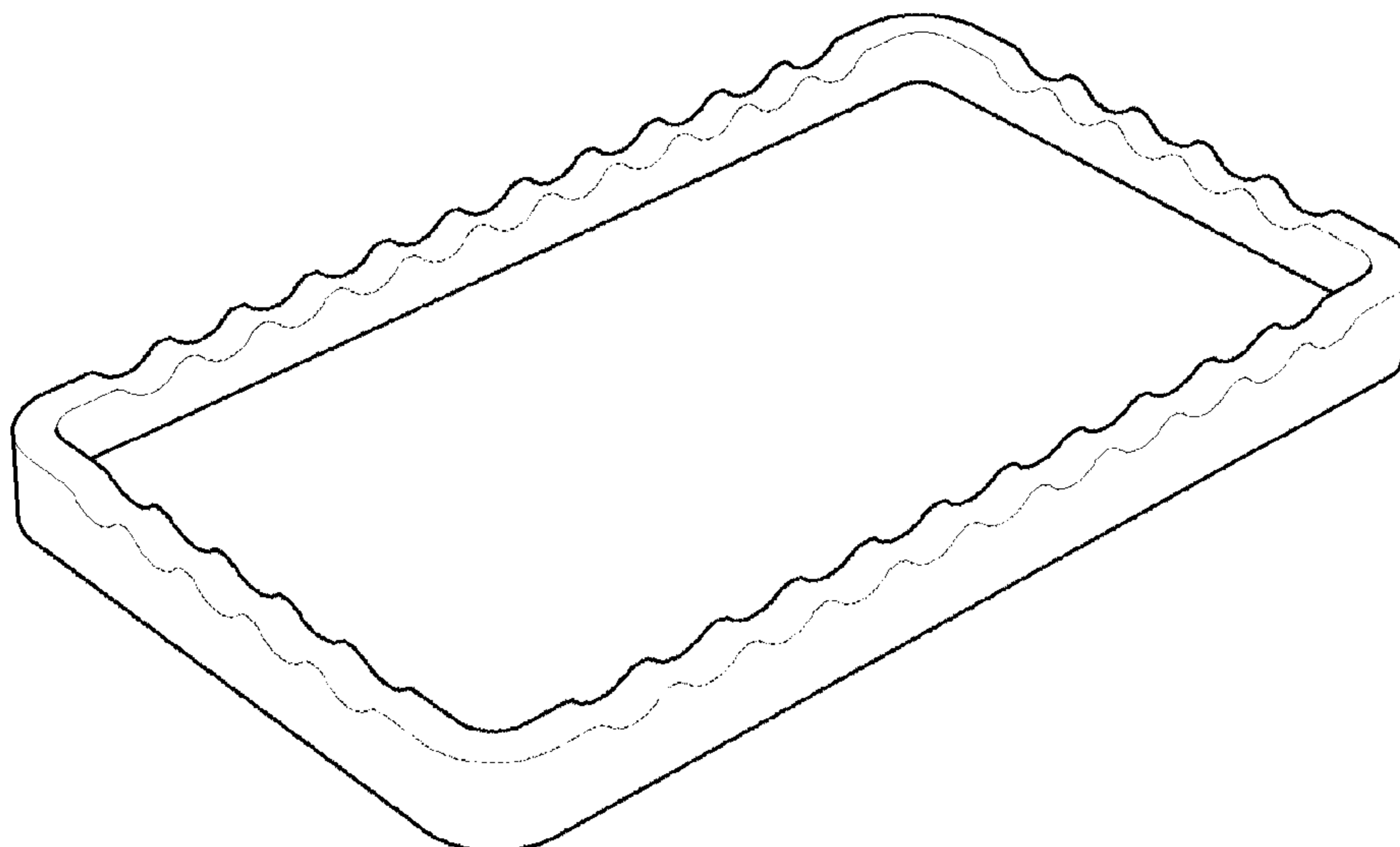


FIG. 1

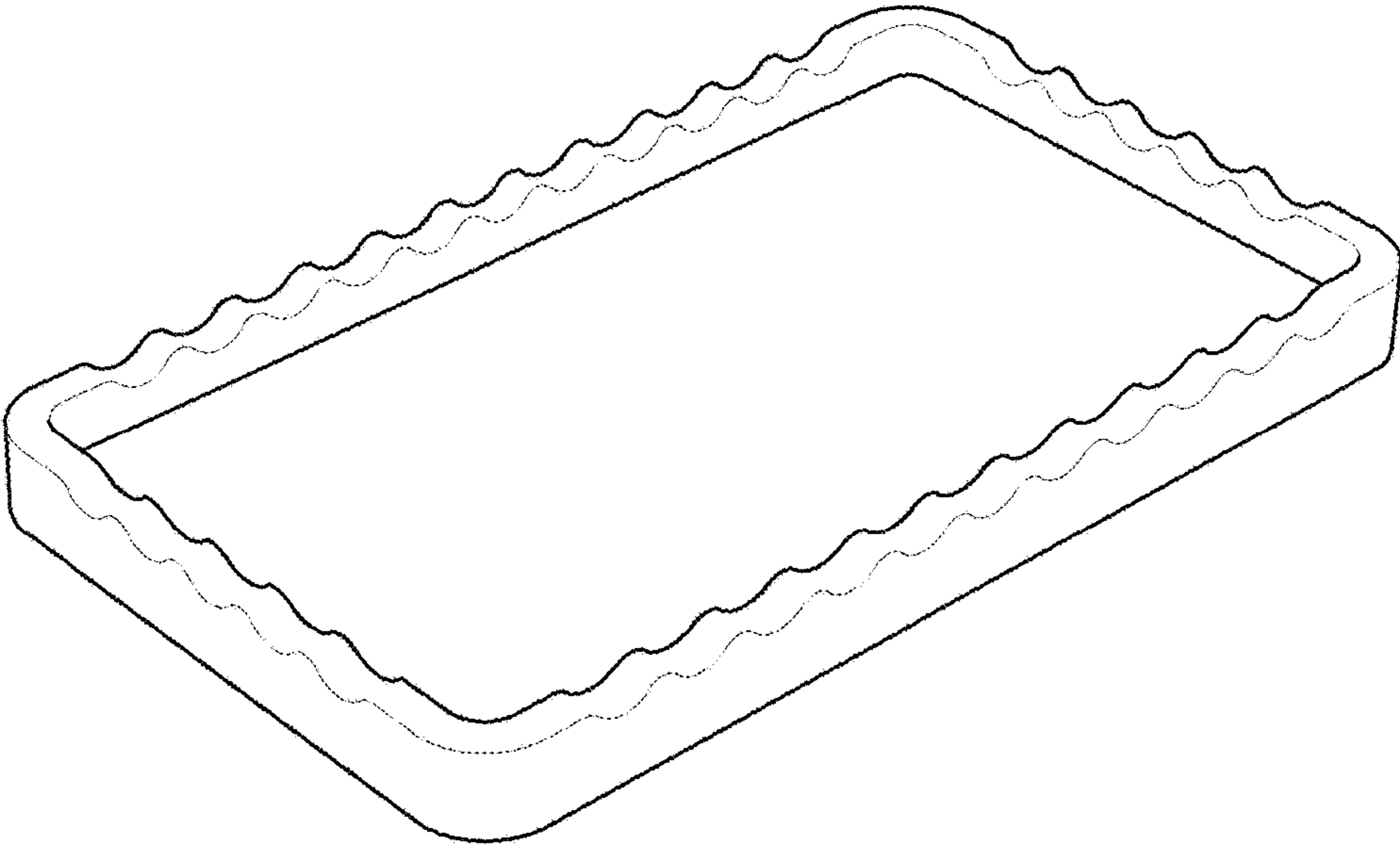


FIG. 2



FIG. 3

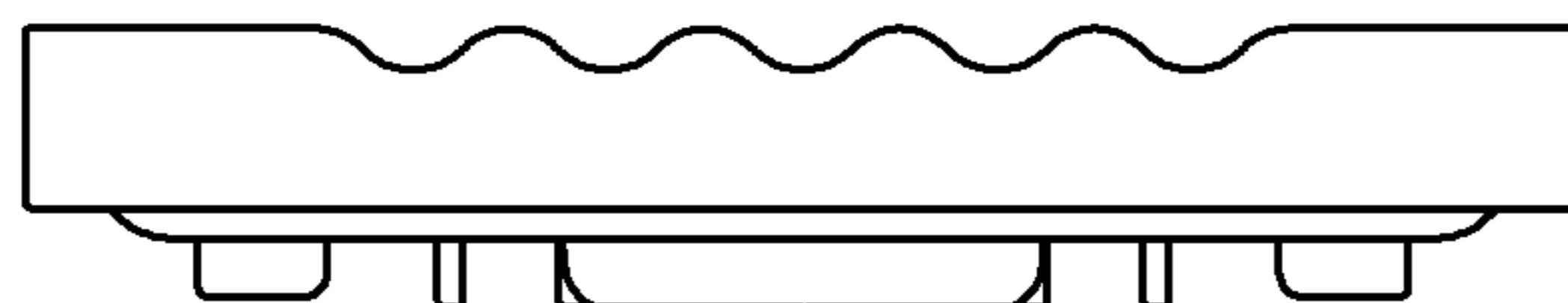


FIG. 4



FIG. 5

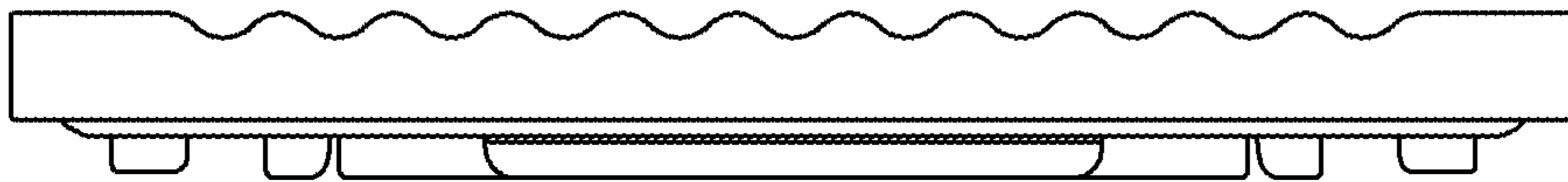


FIG. 6

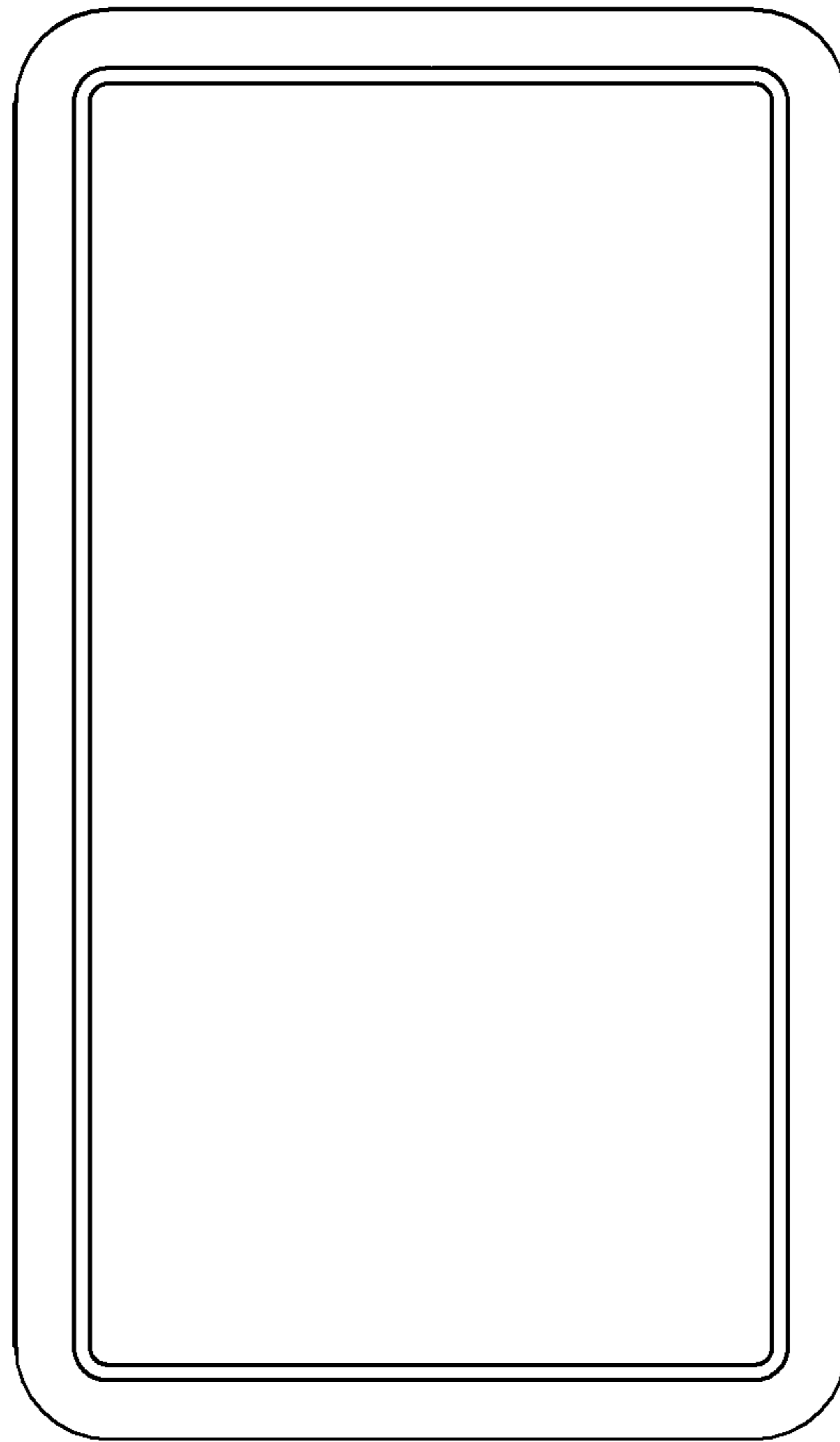


FIG. 7

