



US00D826623S

(12) **United States Design Patent** (10) **Patent No.:** **US D826,623 S**  
**Lee** (45) **Date of Patent:** **\*\* Aug. 28, 2018**

(54) **INFRARED HEATING COOKER**

(71) Applicant: **Jin Hee Lee**, Seoul (KR)

(72) Inventor: **Jin Hee Lee**, Seoul (KR)

(\*\*) Term: **15 Years**

(21) Appl. No.: **29/557,918**

(22) Filed: **Mar. 14, 2016**

(30) **Foreign Application Priority Data**

Aug. 24, 2015 (KR) ..... 30-2015-0042499

(51) **LOC (11) Cl.** ..... **07-02**

(52) **U.S. Cl.**  
USPC ..... **D7/362**

(58) **Field of Classification Search**  
USPC ..... D7/323, 337, 339-341, 352, 354-358,  
D7/360, 362-367, 393, 402-403,  
D7/407-411, 601, 605; D3/276  
(Continued)

(56) **References Cited**

**U.S. PATENT DOCUMENTS**

D439,792 S \* 4/2001 Hedrington ..... D7/323  
D442,822 S \* 5/2001 Lin ..... D7/337  
(Continued)

**FOREIGN PATENT DOCUMENTS**

KR 1673504 B1 \* 11/2016

**OTHER PUBLICATIONS**

What Is an Infrared Cooker?, posted at Smartkitchenpicks.com,  
posted on © 2017, site visited Feb. 27, 2017, <<http://smartkitchenpicks.com/what-is-an-infrared-cooker>>.\*

(Continued)

*Primary Examiner* — Barbara Fox  
*Assistant Examiner* — Messina L Smith

(74) *Attorney, Agent, or Firm* — Kile Park Reed & Houtteman PLLC

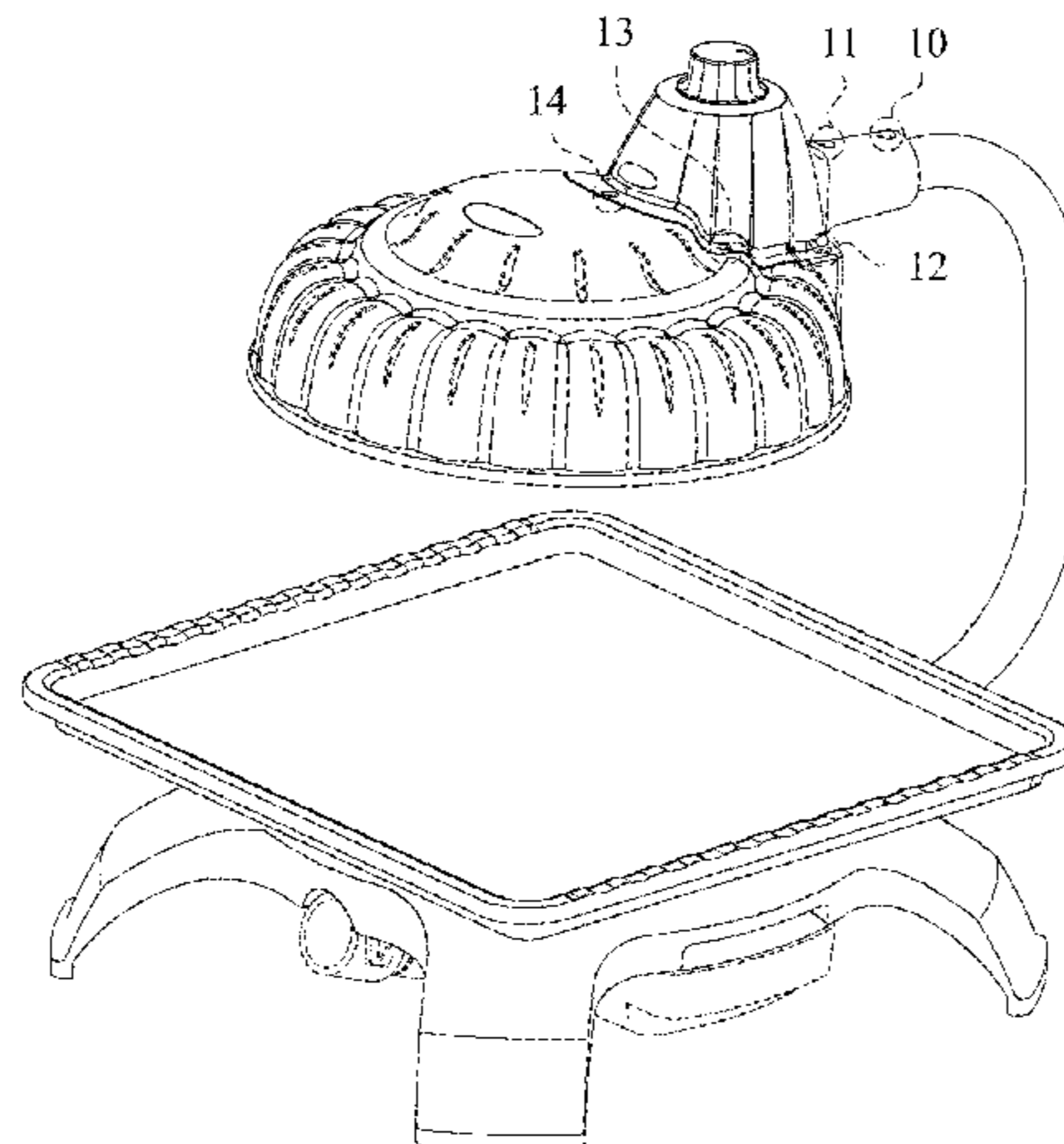
(57) **CLAIM**

I claim, the ornamental design for an infrared heating cooker, as shown and described.

**DESCRIPTION**

FIG. 1 is a top and front perspective view of an infrared heating cooker, showing my new design; FIG. 2 is a front elevational view thereof; FIG. 3 is a rear elevational view thereof; FIG. 4 is a left side elevational view thereof; FIG. 5 is a right side elevational view thereof; FIG. 6 is a top plan view thereof; FIG. 7 is a bottom plan view thereof; FIG. 8 is an enlarged view of the portion labeled “8” encircled in FIG. 2; FIG. 9 is an enlarged view of the portion labeled “9” encircled in FIG. 2; FIG. 10 is an enlarged view of the portion labeled “10” encircled in FIG. 1; FIG. 11 is an enlarged view of the portion labeled “11” encircled in FIG. 1; FIG. 12 is an enlarged view of the portion labeled “12” encircled in FIG. 1; FIG. 13 is an enlarged view of the portion labeled “13” encircled in FIG. 1; FIG. 14 is an enlarged view of the portion labeled “14” encircled in FIG. 1; FIG. 15 is an enlarged view of the portion labeled “15” encircled in FIG. 3; and, FIG. 16 is an enlarged view of the portion labeled “16” encircled in FIG. 3. The broken lines are shown for the purpose of illustrating parts of the infrared heating cooker that form no part of the claim. The longer dashed broken lines are shown for the purpose of designating the enlargement of FIGS. 8-16 and their origin reference on FIGS. 1-3 and form no part of the claim.

**1 Claim, 12 Drawing Sheets**



(58) **Field of Classification Search**

CPC ..... A21B 1/06; A21B 1/50; A21B 1/52; A47J  
37/04; A47J 37/06; A47J 37/015; A47J  
37/067; A47J 37/0611; A47J 37/0629;  
A47J 37/0676; A47J 37/108; F24C 7/06;  
F24C 7/083; F24C 15/02; F24C 15/66;  
H05B 3/20; H05B 3/40

See application file for complete search history.

D764,861 S \* 8/2016 Lee ..... D7/352  
D764,862 S \* 8/2016 Lee ..... D7/352  
D772,648 S \* 11/2016 Palermo ..... D7/367  
2009/0223380 A1\* 9/2009 Van Aken ..... A47J 37/0629  
99/332

OTHER PUBLICATIONS

Infrared Cooking BBQs, posted at Trendhunter.com, posted on Apr. 20, 2016, site visited Feb. 27, 2017, <<http://www.trendhunter.com/trends/smokeless-grill>>.\*

3D Infrared Baking Pan Korean Non-smoking Electric Baking Pan Iron Barbecue Grill, posted at Aliexpress.com, posted on © 2010-2016, site visited Feb. 27, 2017, <<https://www.aliexpress.com/item/3D-Infrared-Baking-Pan-Korean-Non-smoking-Electric-Baking-Pan-Iron-Barbecue-Grill-Creative-Gifts/32792748741.html?spm=2114.40010708.4.13.njaFKY>>.\*

3D smokeless electric grill infrared heat grill for home BBQ Grill Non-stick, posted at Amazon.com, posted on May 1, 2016, site visited Feb. 27, 2017, <<https://www.amazon.com/smokeless-electric-infrared-Non-stick-LY-005/dp/B01F0X7DKG>>.\*

Gourmia GHG1600 Digital Halogen Powered Rotating Grill, posted at Amazon.com, posted on Oct. 30, 2016, site visited Feb. 27, 2017, <[https://www.amazon.com/Gourmia-GHG1600-Rotating-Temperature-Functional/dp/B01MD0DFPP/ref=pd\\_sbs\\_79\\_t\\_0/156-6430571-2509523?\\_encoding=UTF8&pvc=1&refRID=W7RWPKRC9AY6N3Q8K0T1](https://www.amazon.com/Gourmia-GHG1600-Rotating-Temperature-Functional/dp/B01MD0DFPP/ref=pd_sbs_79_t_0/156-6430571-2509523?_encoding=UTF8&pvc=1&refRID=W7RWPKRC9AY6N3Q8K0T1)>.\*

\* cited by examiner

(56) **References Cited**

U.S. PATENT DOCUMENTS

6,363,842 B1 \* 4/2002 Lin ..... A47J 36/38  
126/299 D  
D458,078 S \* 6/2002 Lin ..... D7/362  
D653,904 S \* 2/2012 Lee ..... D7/362  
D684,808 S \* 6/2013 Mehler ..... D7/354  
D688,086 S \* 8/2013 Lee ..... D7/362  
D688,087 S \* 8/2013 Lee ..... D7/362  
D688,088 S \* 8/2013 Lee ..... D7/362  
D688,089 S \* 8/2013 Lee ..... D7/362  
D688,090 S \* 8/2013 Lee ..... D7/362  
D710,143 S \* 8/2014 Lee ..... D7/362  
D710,144 S \* 8/2014 Lee ..... D7/362  
D743,733 S \* 11/2015 Lee ..... D7/362  
D743,734 S \* 11/2015 Lee ..... D7/362  
D764,222 S \* 8/2016 Lee ..... D7/352  
D764,223 S \* 8/2016 Lee ..... D7/352  
D764,859 S \* 8/2016 Lee ..... D7/352  
D764,860 S \* 8/2016 Lee ..... D7/352

FIG. 1

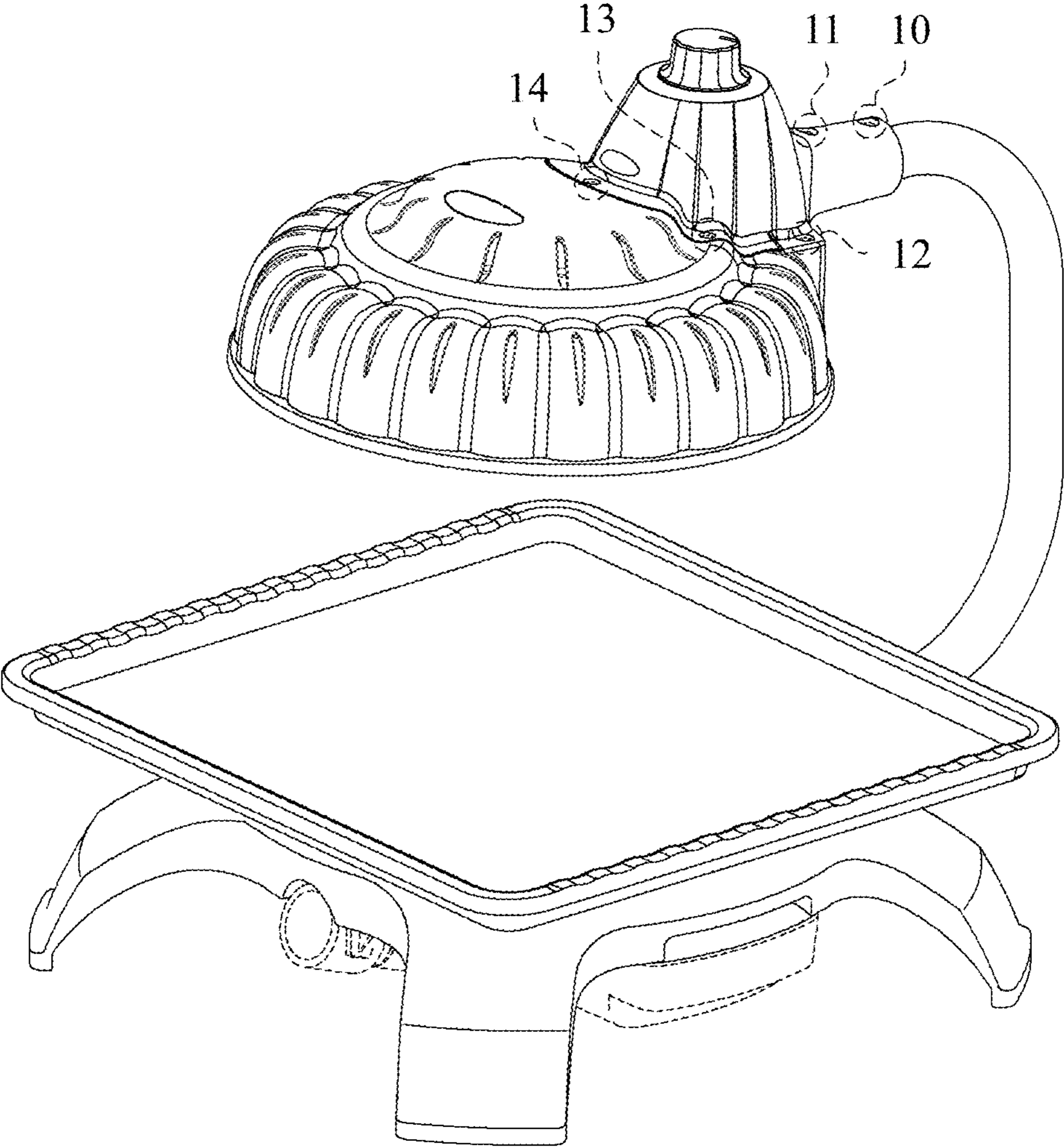




FIG. 2

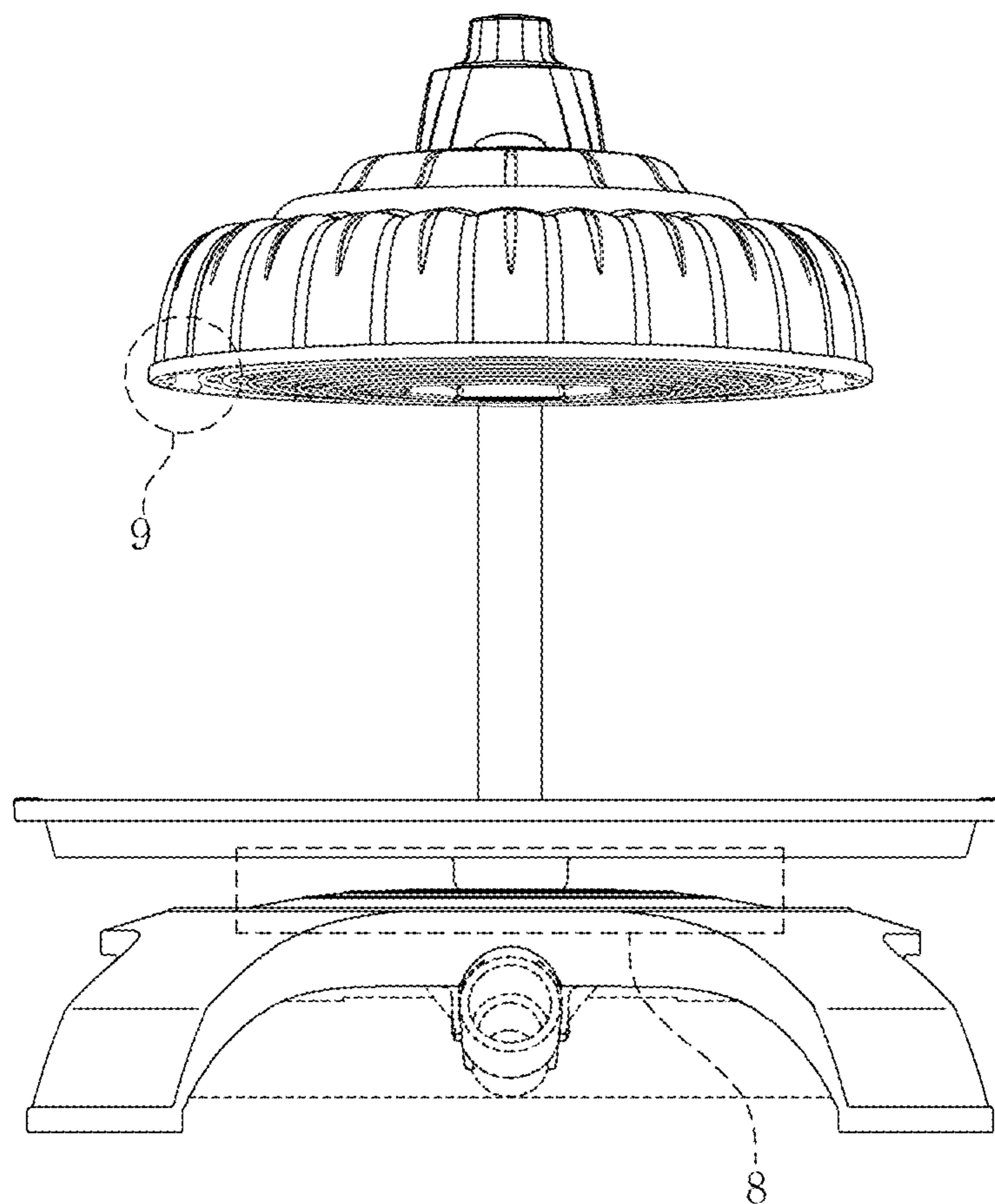


FIG. 3

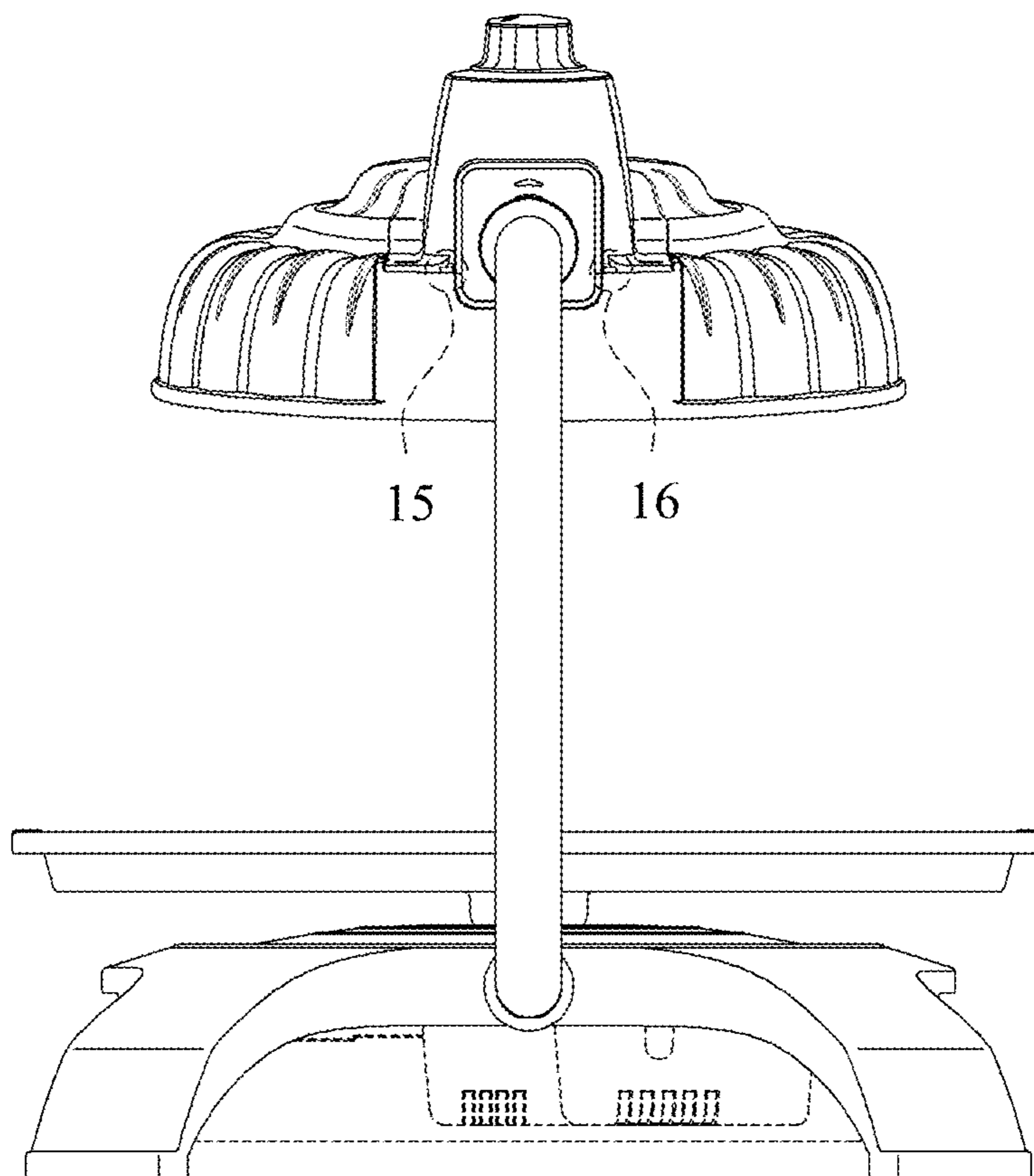


FIG. 4

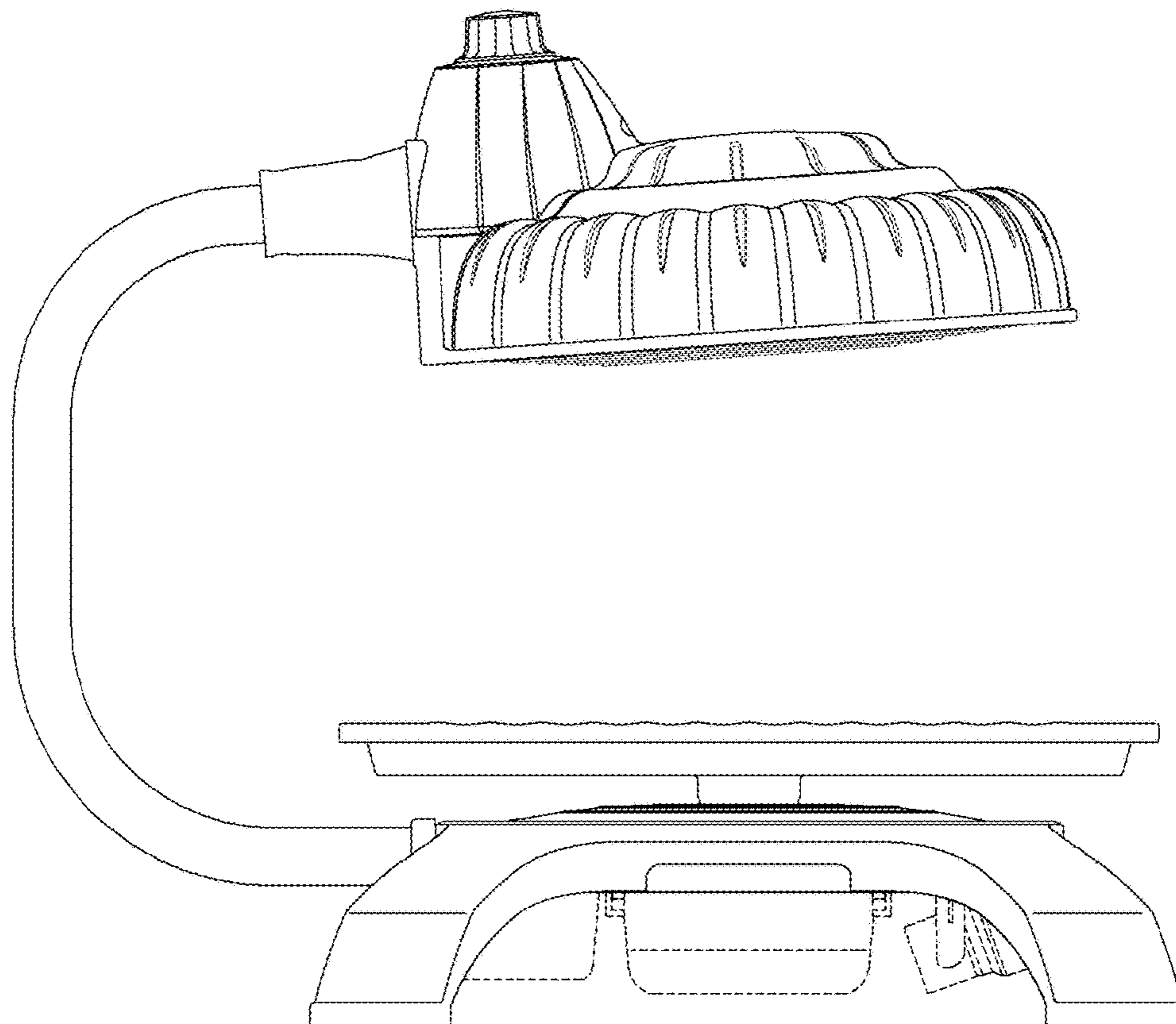


FIG. 5

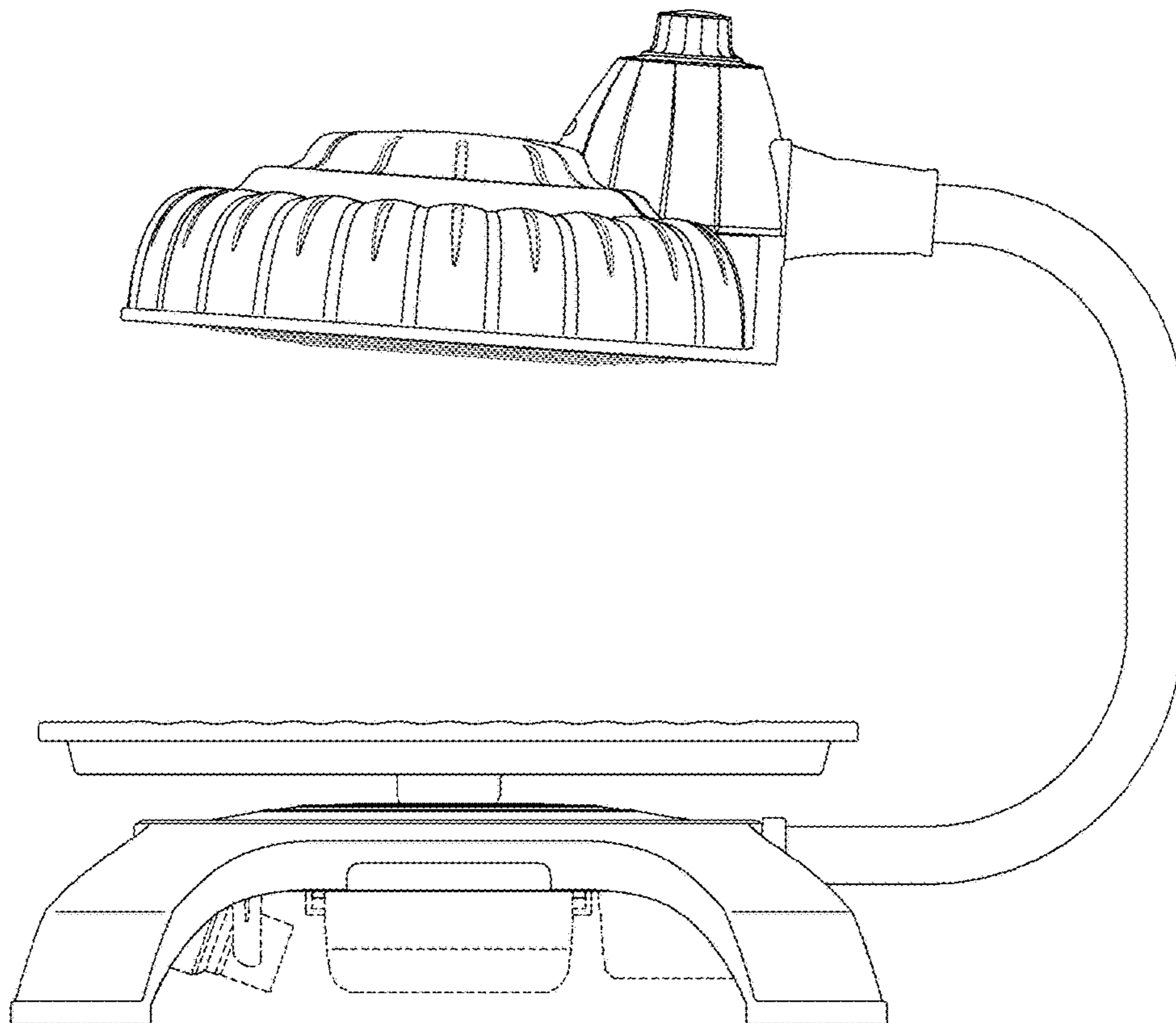


FIG. 6

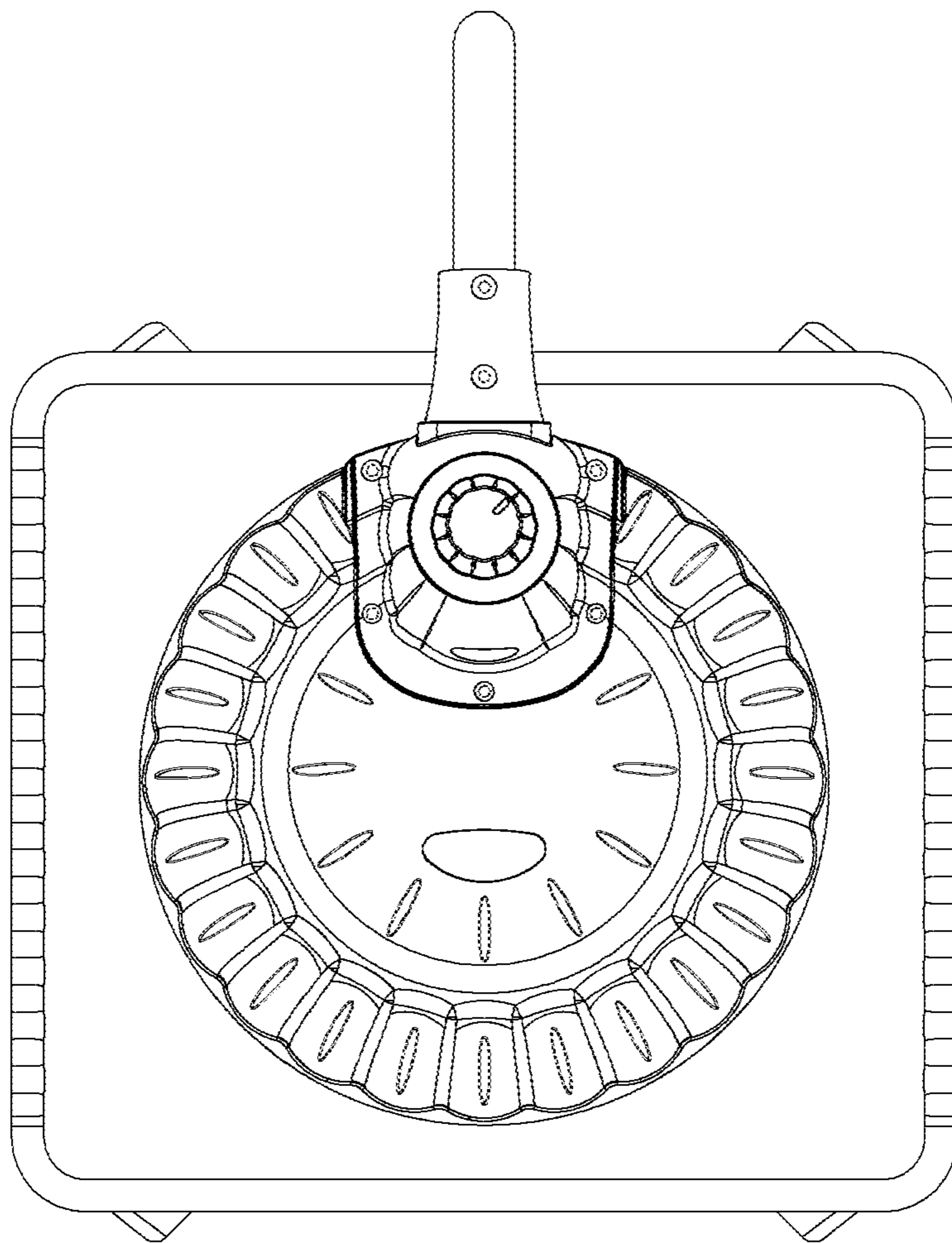




FIG. 7

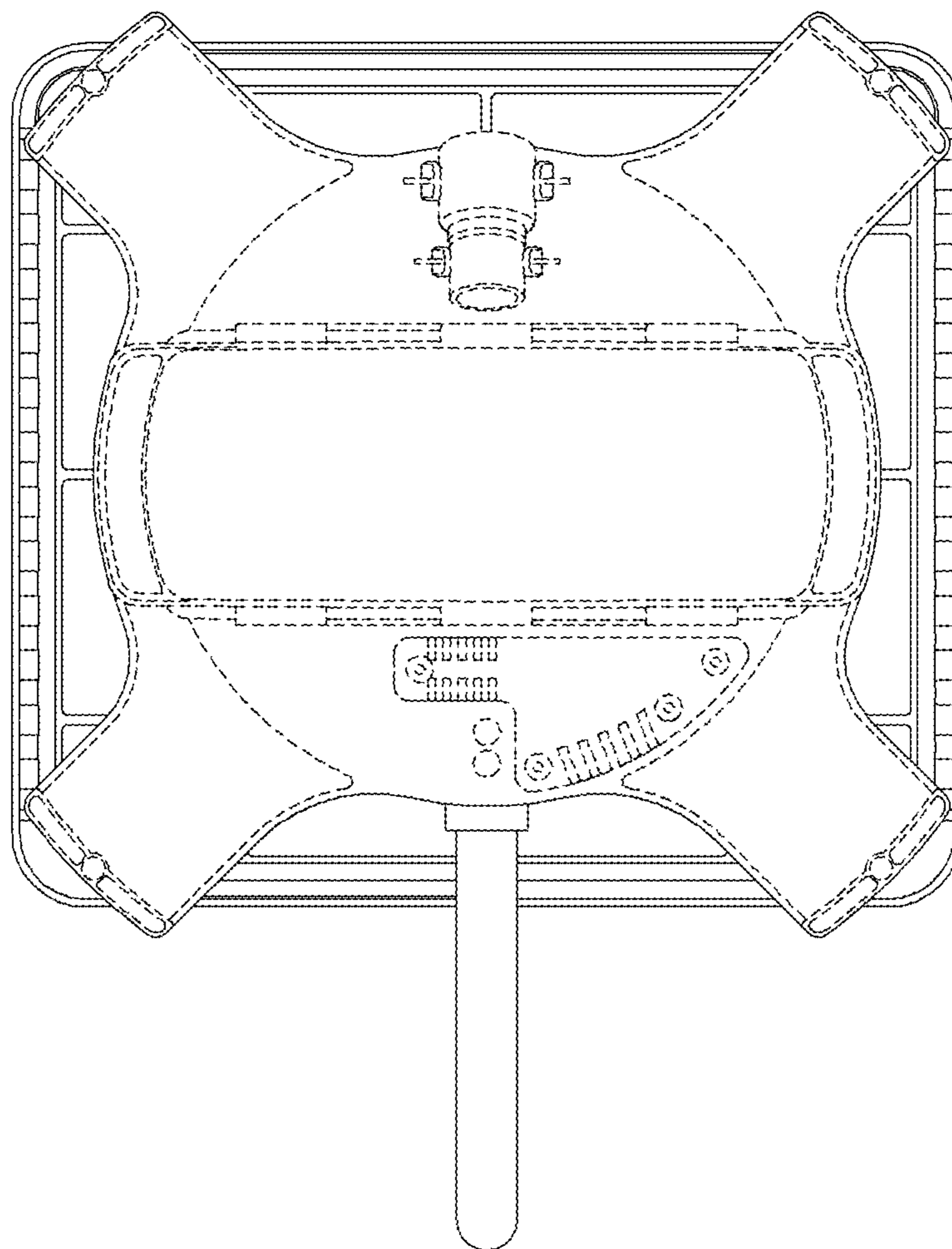


FIG. 8

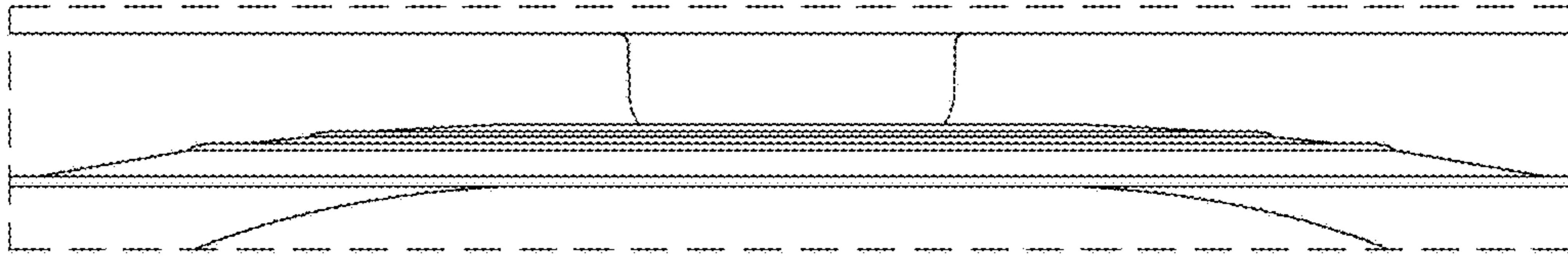


FIG. 9

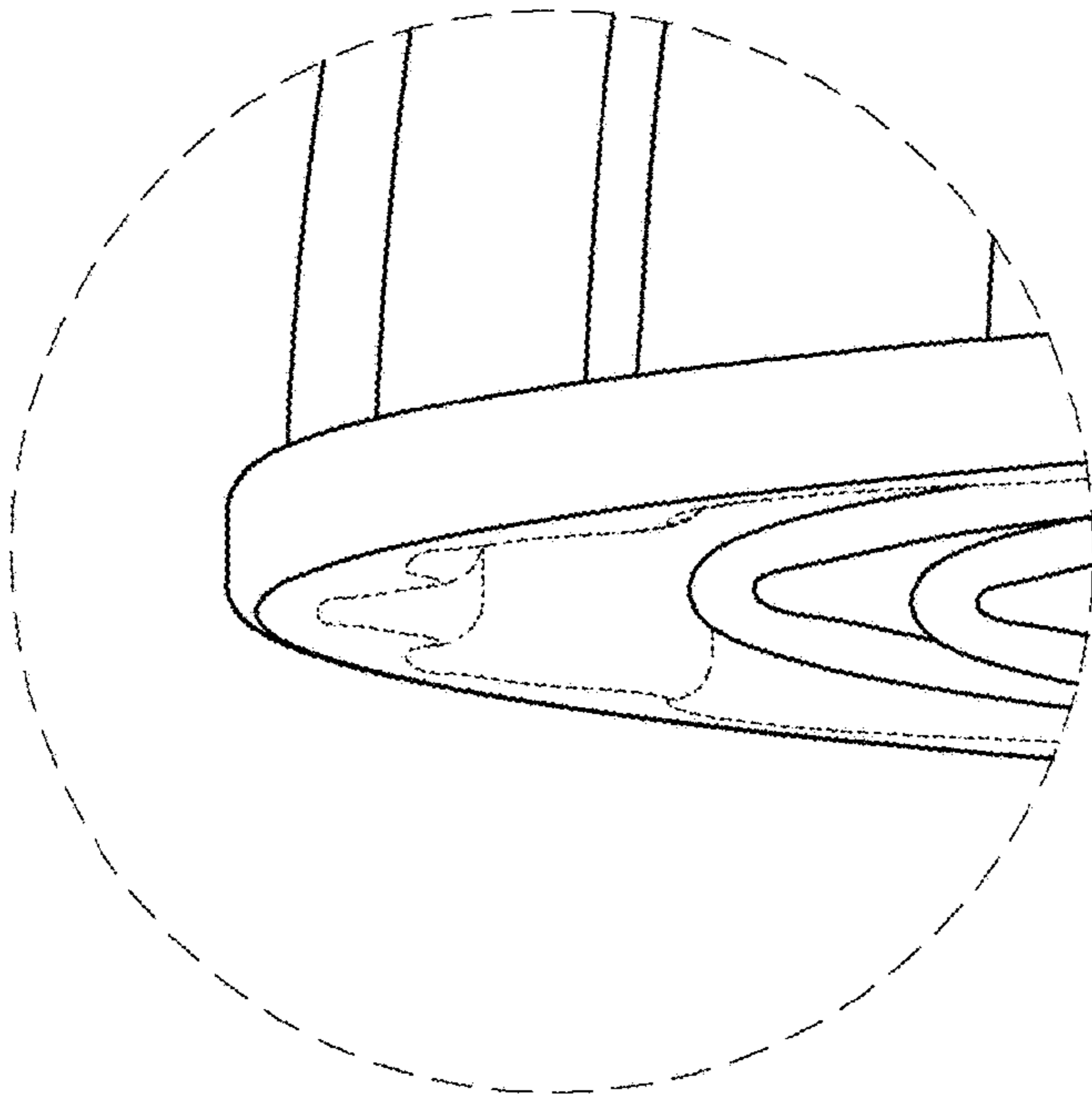


FIG. 10

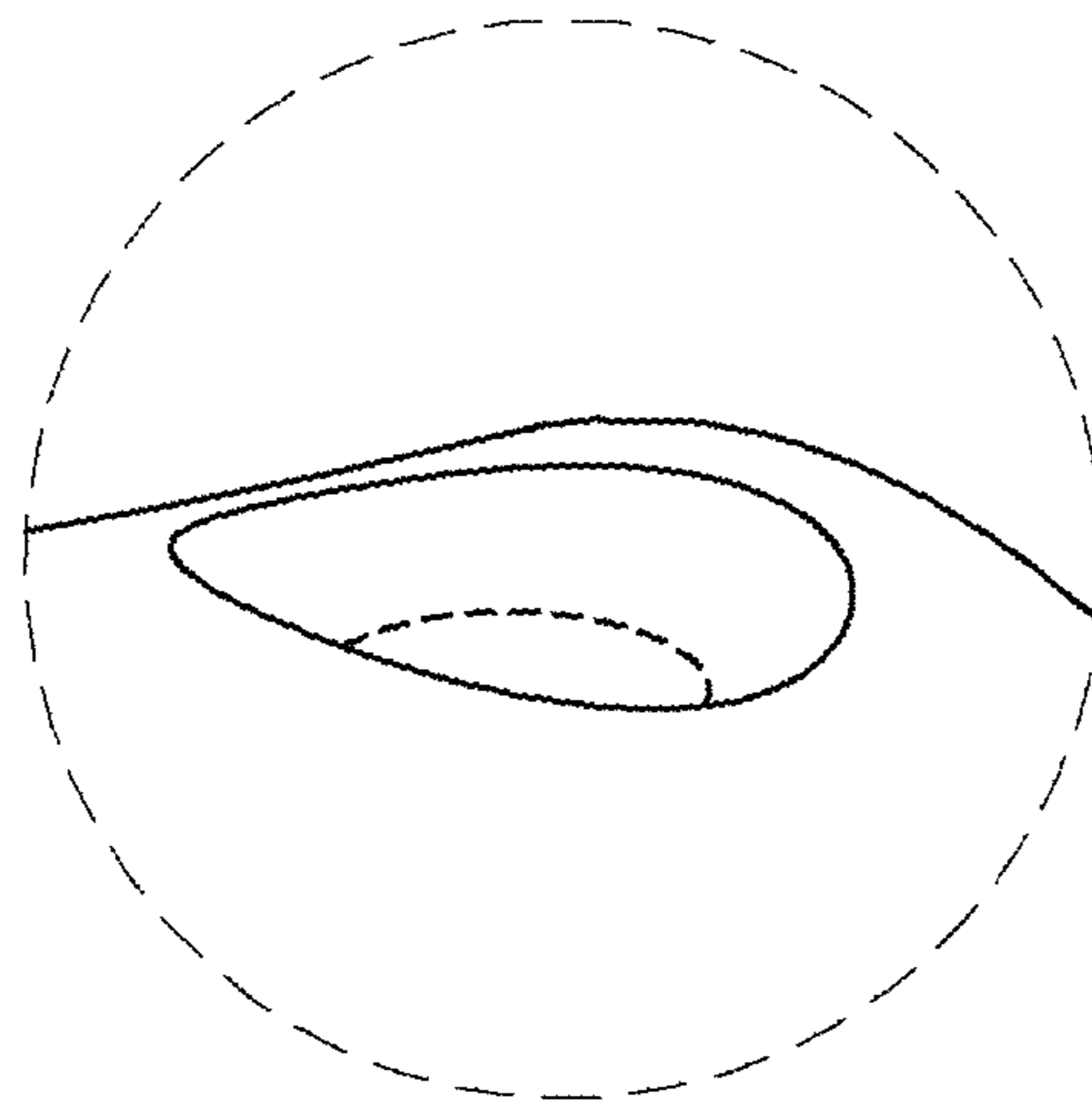


FIG. 11

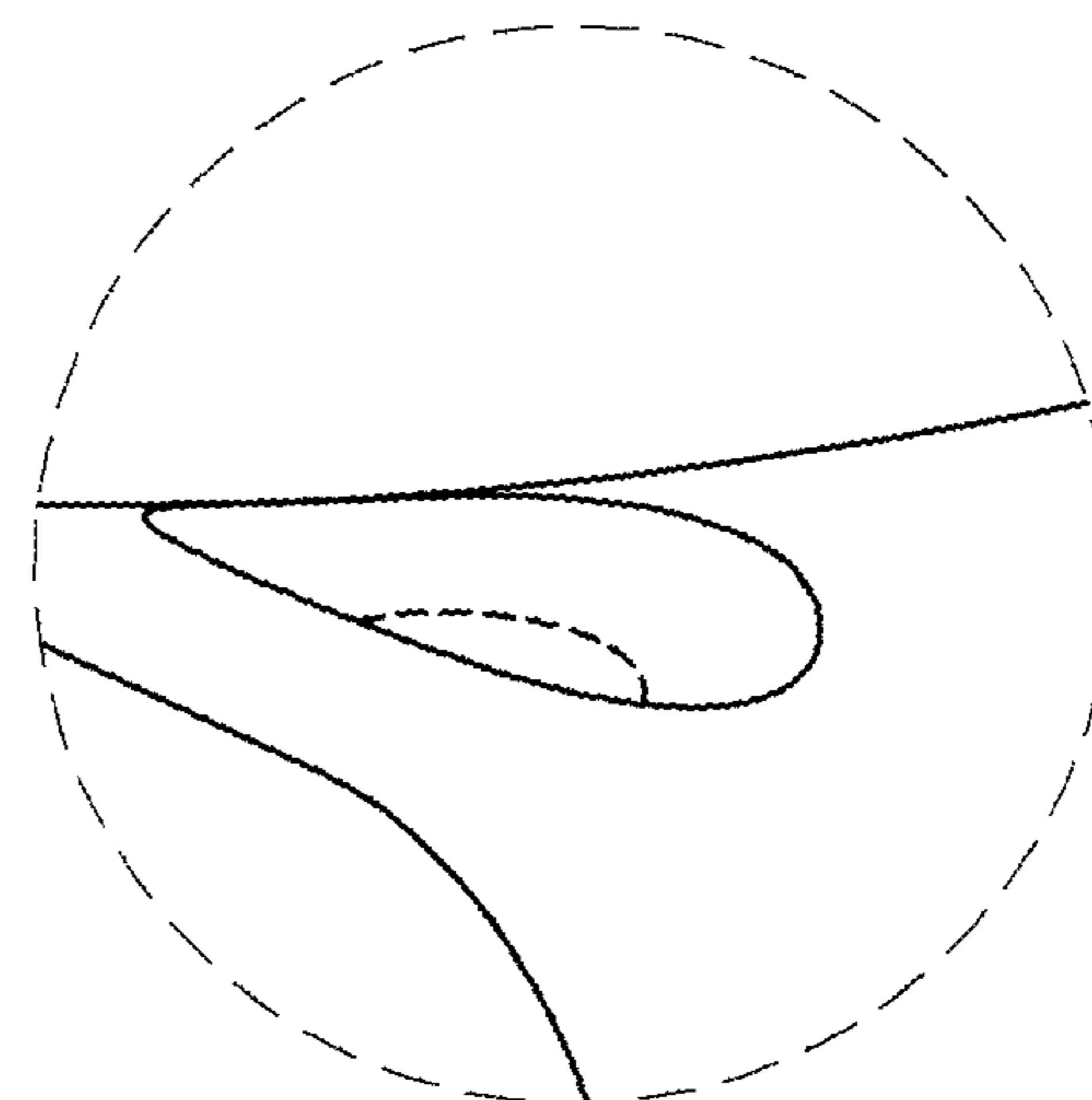


FIG. 12

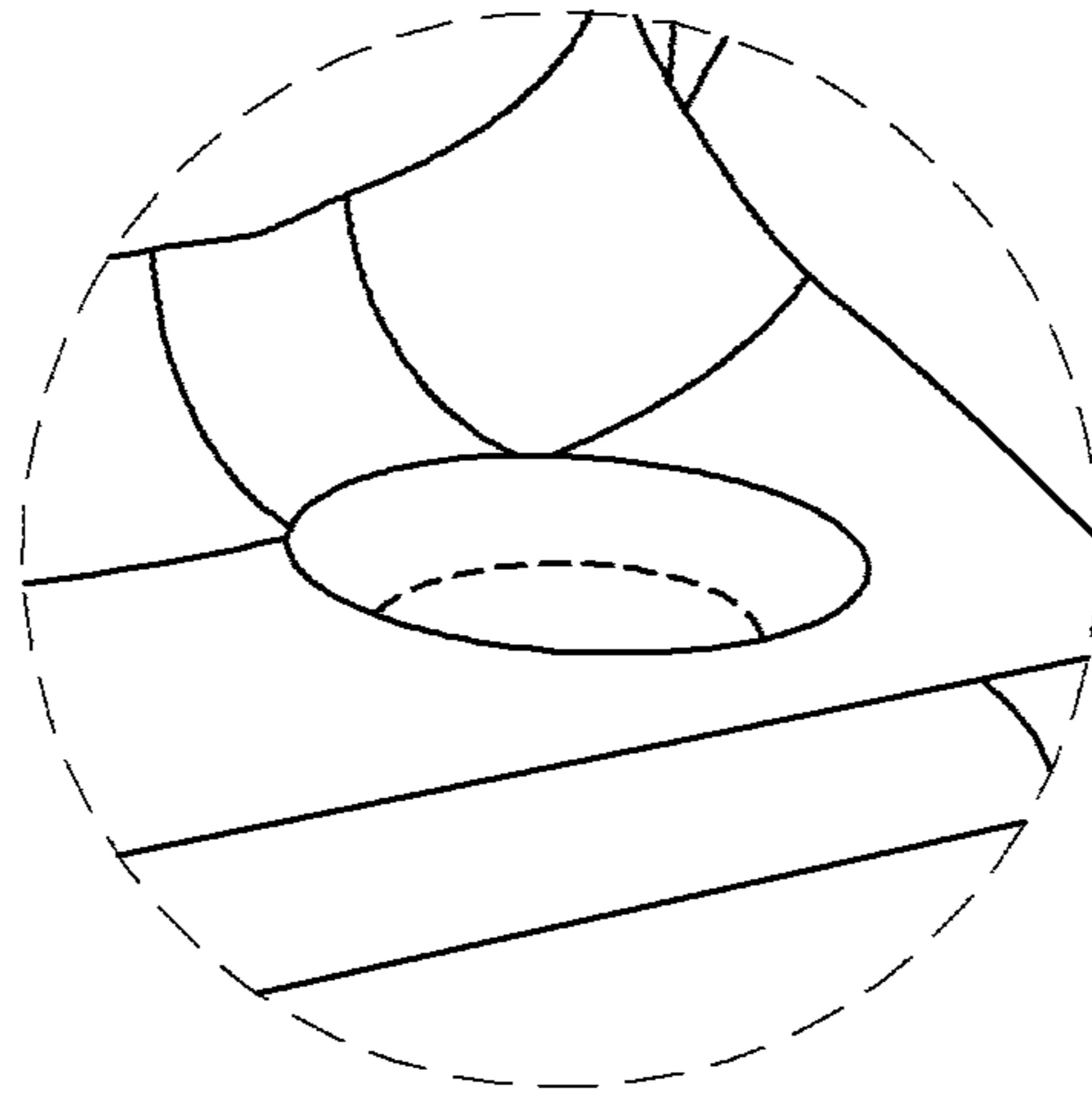


FIG. 13

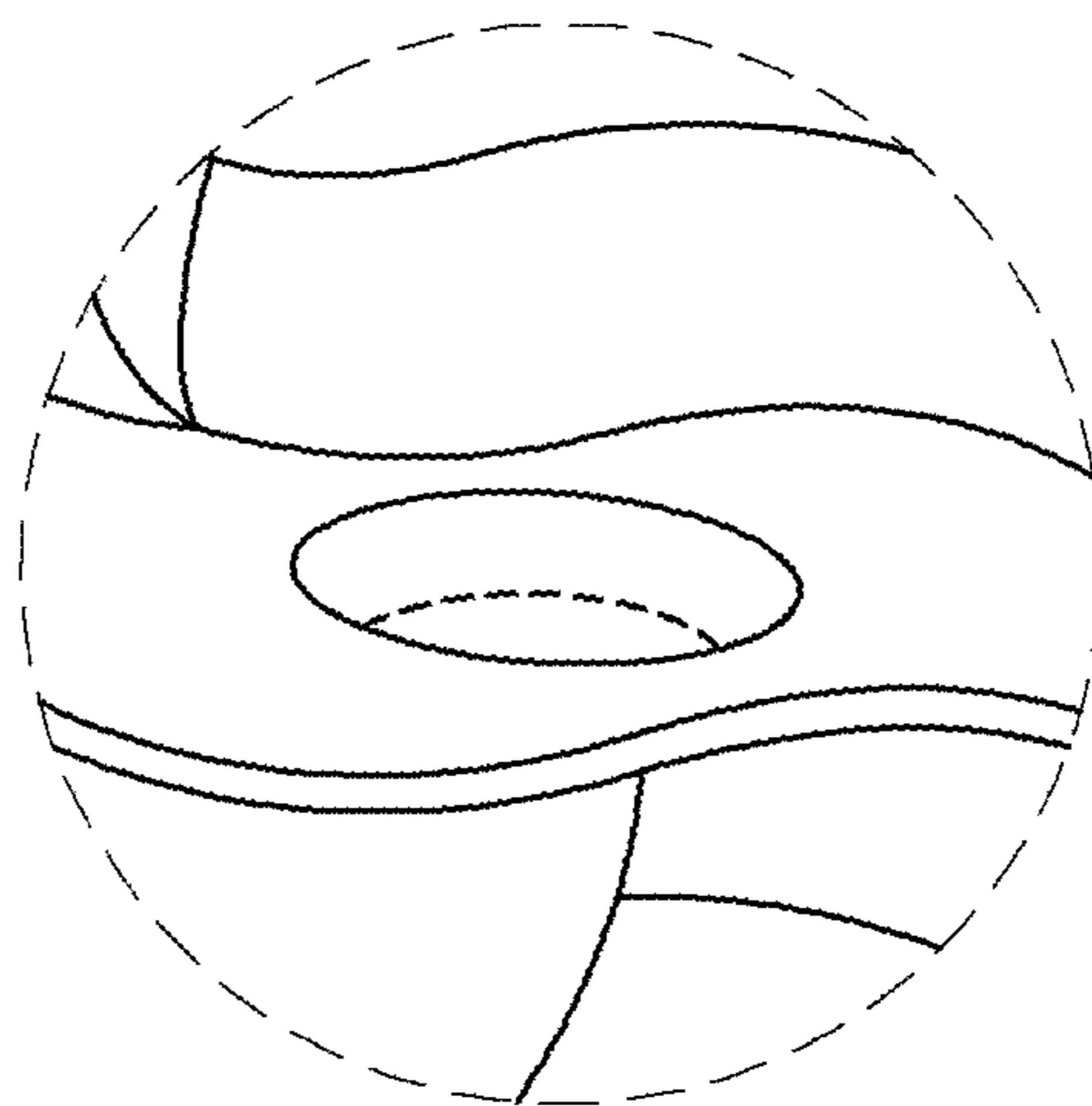




FIG. 14

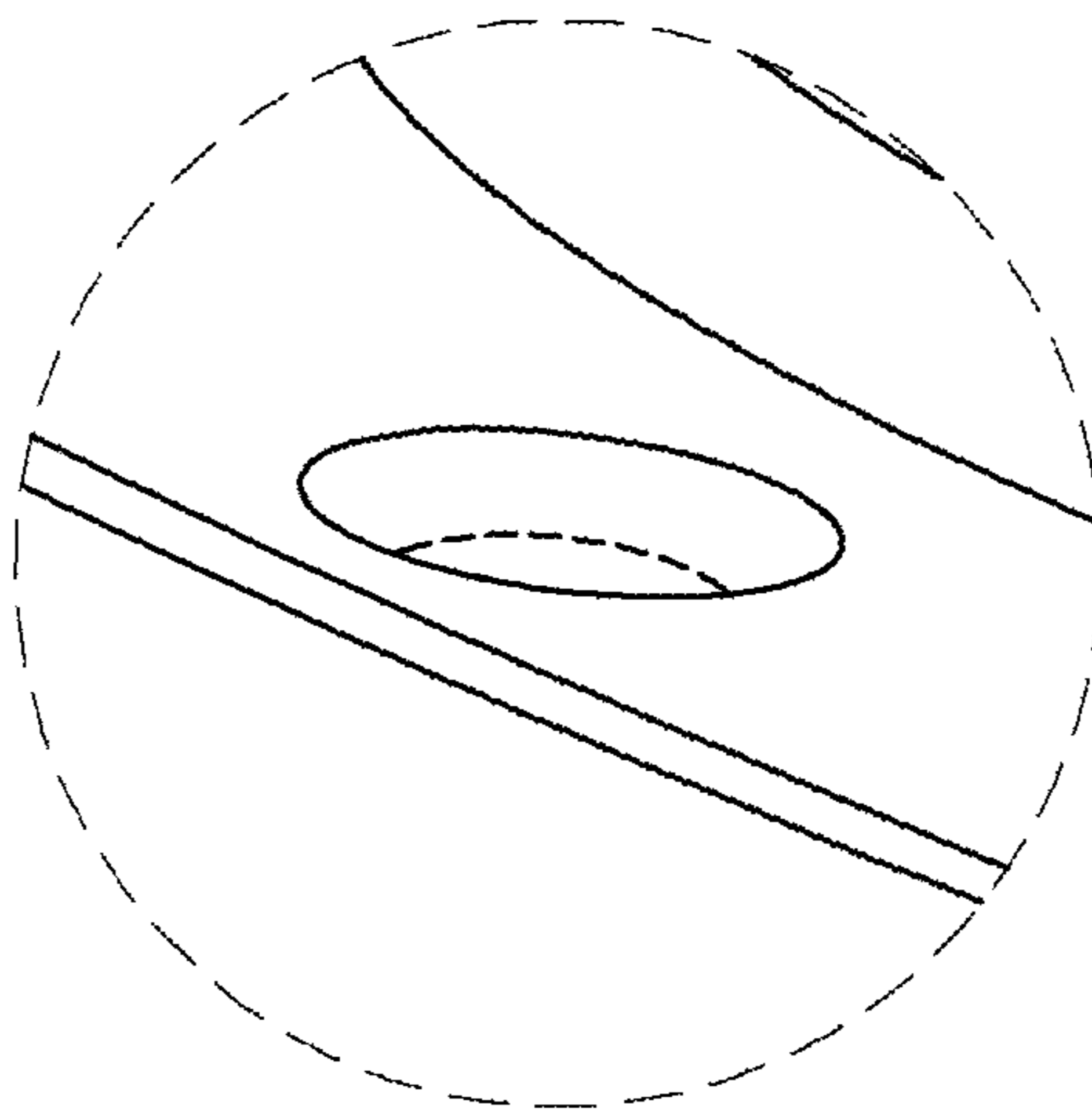


FIG. 15

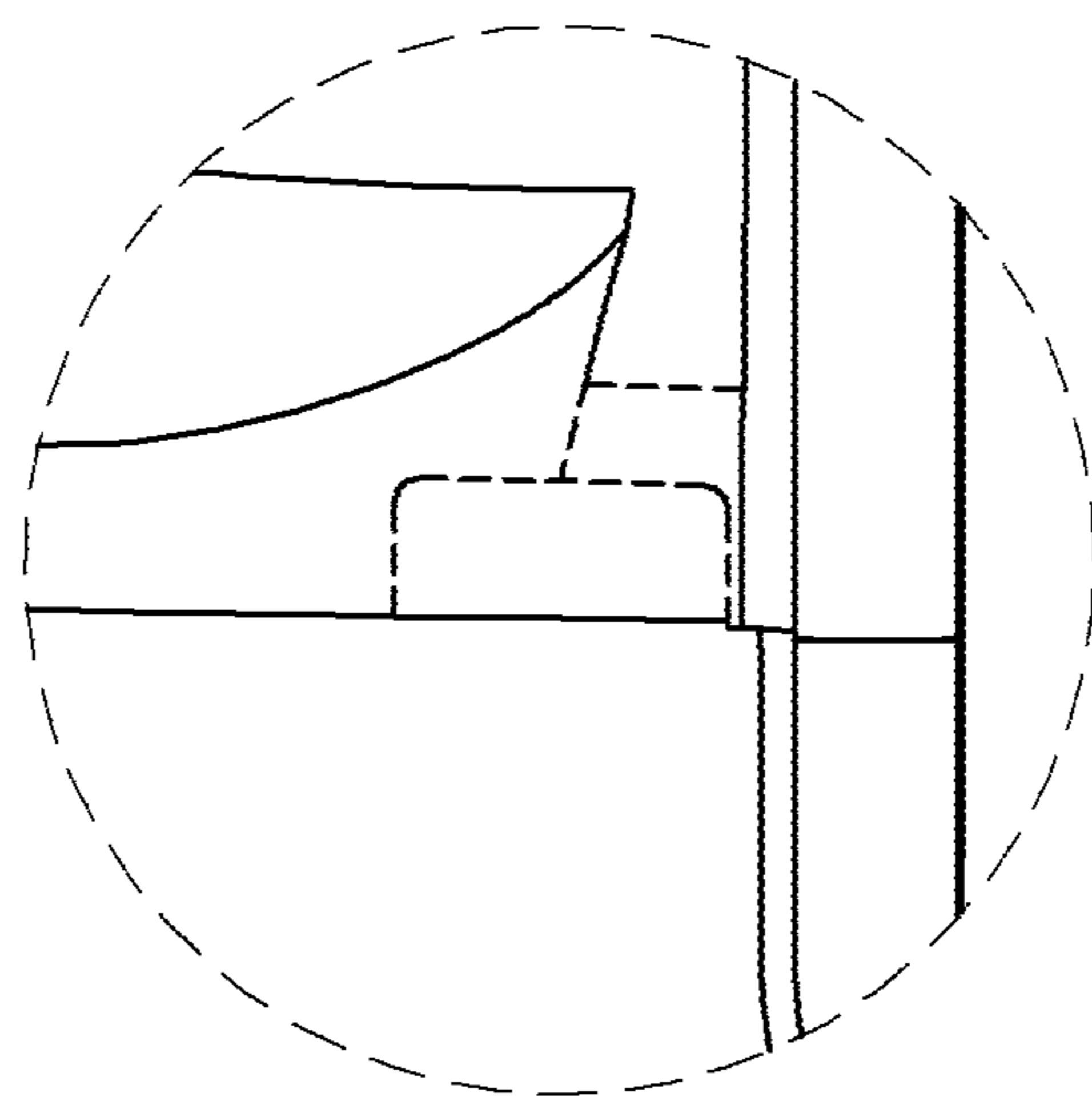


FIG. 16

