



US00D826619S

(12) **United States Design Patent** (10) **Patent No.:** **US D826,619 S**
Measom et al. (45) **Date of Patent:** **** Aug. 28, 2018**

(54) **SMOKER**

(71) Applicant: **Logan Outdoor Products, LLC**, Hyde Park, UT (US)

(72) Inventors: **Ty Measom**, Logan, UT (US); **Brett Bennett**, Mantua, UT (US)

(73) Assignee: **Logan Outdoor Products**, Hyde Park, UT (US)

(**) Term: **15 Years**

(21) Appl. No.: **29/590,151**

(22) Filed: **Jan. 7, 2017**

(51) **LOC (11) Cl.** **07-02**

(52) **U.S. Cl.**
 USPC **D7/332**

(58) **Field of Classification Search**
 USPC D7/332-337; D23/343, 332, 403, 348
 CPC A47J 37/0704; A47J 37/04; A47J 37/067;
 A47J 37/0731; A47J 37/0763; A47J
 2037/0777; A47J 37/0713; A47J 37/0786;
 A47J 37/0682; A47J 37/0676; A23B
 4/044; A23B 4/052

See application file for complete search history.

(56) **References Cited**

U.S. PATENT DOCUMENTS

5,078,049 A * 1/1992 Glanton A23B 4/052
 99/340

D493,328 S * 7/2004 Wood D7/332

D510,835 S * 10/2005 Pai D7/334

7,044,050 B1 * 5/2006 Cook A47J 37/0754
 99/481

D586,608 S * 2/2009 May D7/332

7,703,386 B1 * 4/2010 Bourgeois A23B 4/052
 99/340

8,061,348 B1 * 11/2011 Rodriguez F24B 1/182
 126/1 B

D674,234 S * 1/2013 Todd D7/334

D720,569 S * 1/2015 Hill D7/334

9,510,604 B2 * 12/2016 Ahmed A47J 37/0704

9,848,612 B1 * 12/2017 Bourgeois A23B 4/0523

2001/0035176 A1 * 11/2001 Bush, III A47J 37/0704
 126/25 R

2007/0131234 A1 * 6/2007 Moore A23B 4/052
 131/296

2013/0019760 A1 * 1/2013 West A47J 37/0704
 99/340

2015/0004297 A1 * 1/2015 Pothetes A47J 37/0704
 426/523

* cited by examiner

Primary Examiner — Susan Bennett Hattan
Assistant Examiner — Brett Miller

(74) *Attorney, Agent, or Firm* — Preston P. Frischknecht;
 Project CIP

(57) **CLAIM**

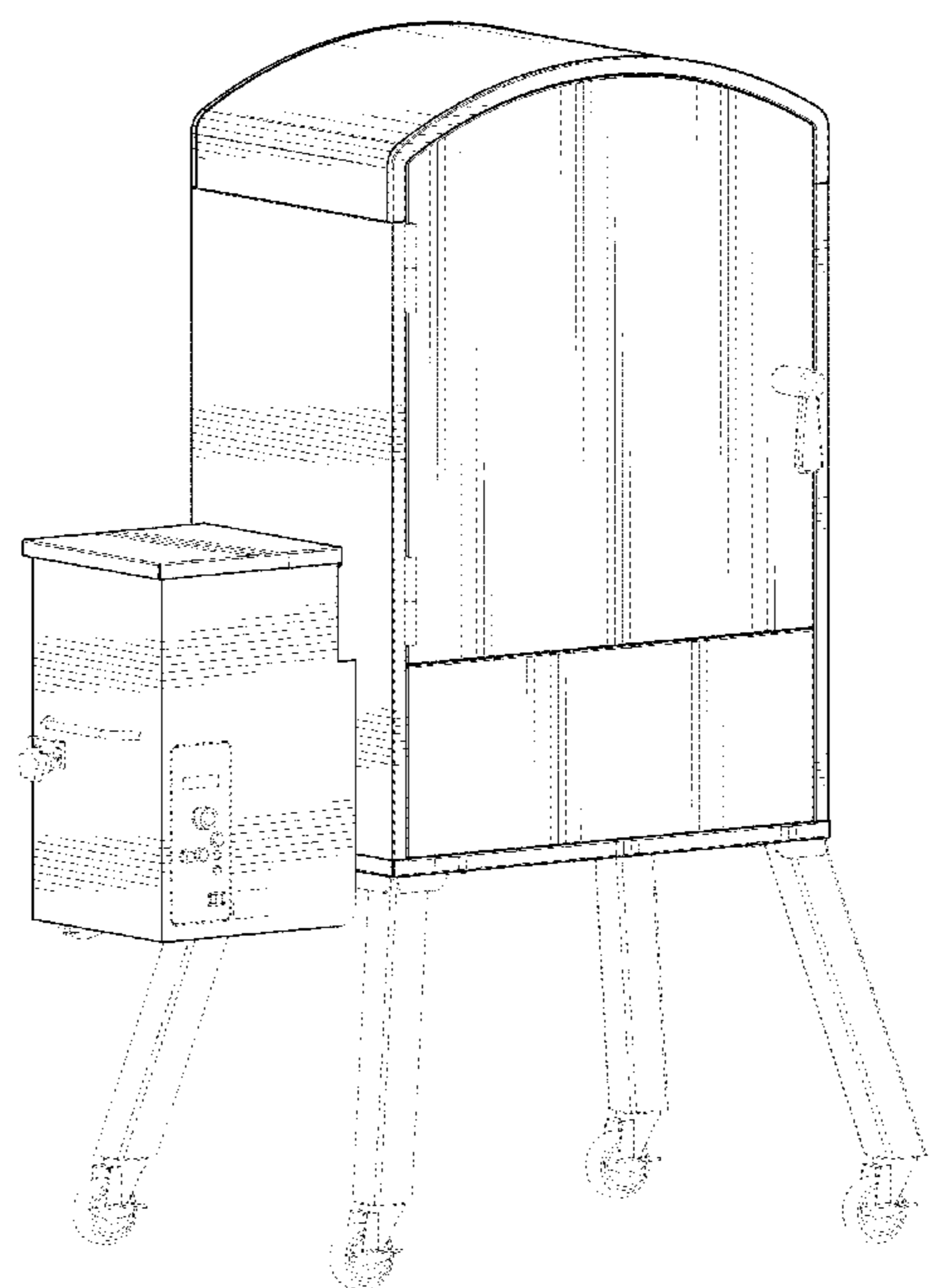
The ornamental design for a smoker, as shown.

DESCRIPTION

FIG. 1 is an isometric view;
 FIG. 2 is a front view;
 FIG. 3 is a back view;
 FIG. 4 is a left side view;
 FIG. 5 is a right side view;
 FIG. 6 is a top view; and,
 FIG. 7 is a bottom view.

The broken lines depict portions of the smoker that form no part of the claim.

1 Claim, 6 Drawing Sheets



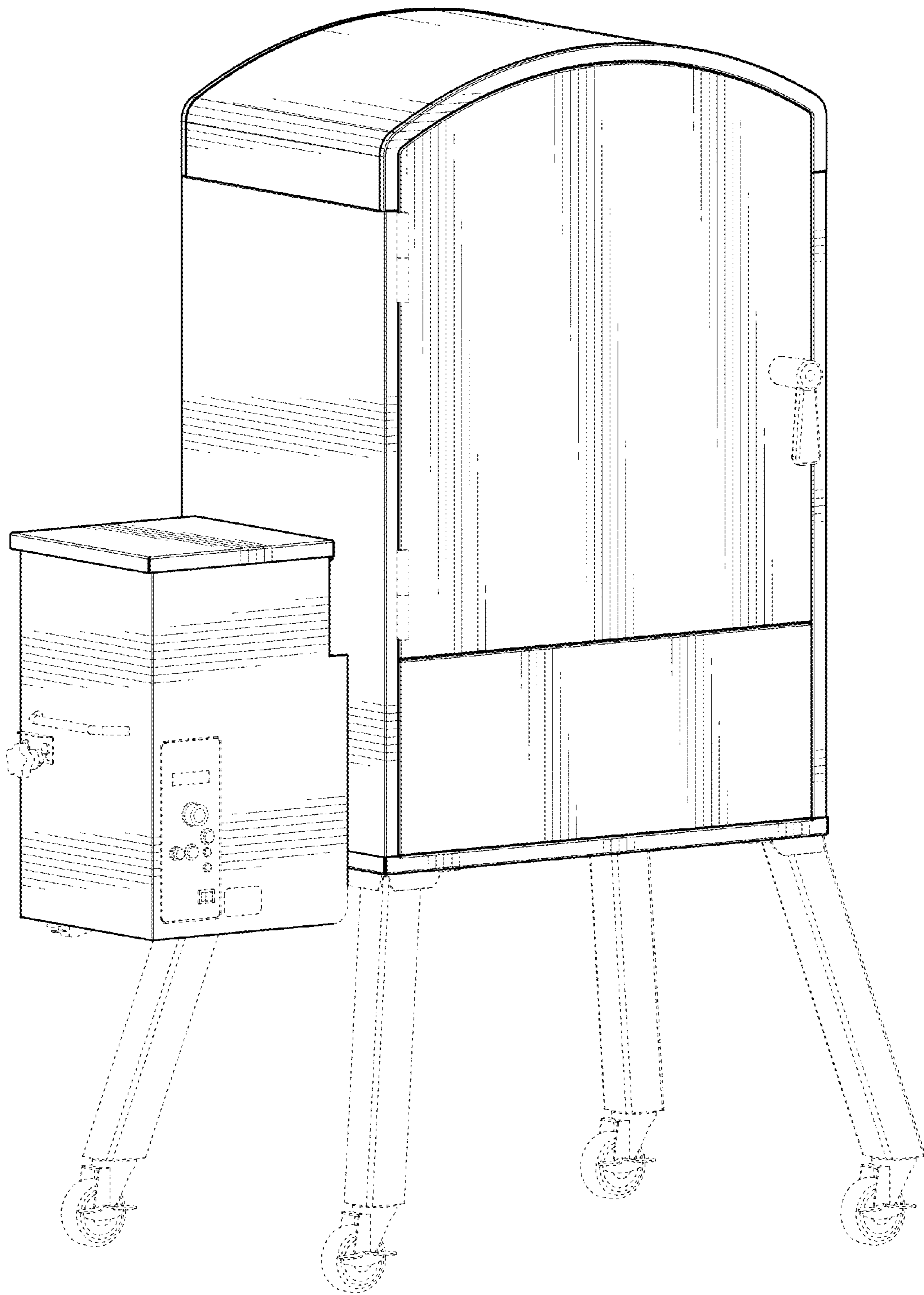


FIG. 1

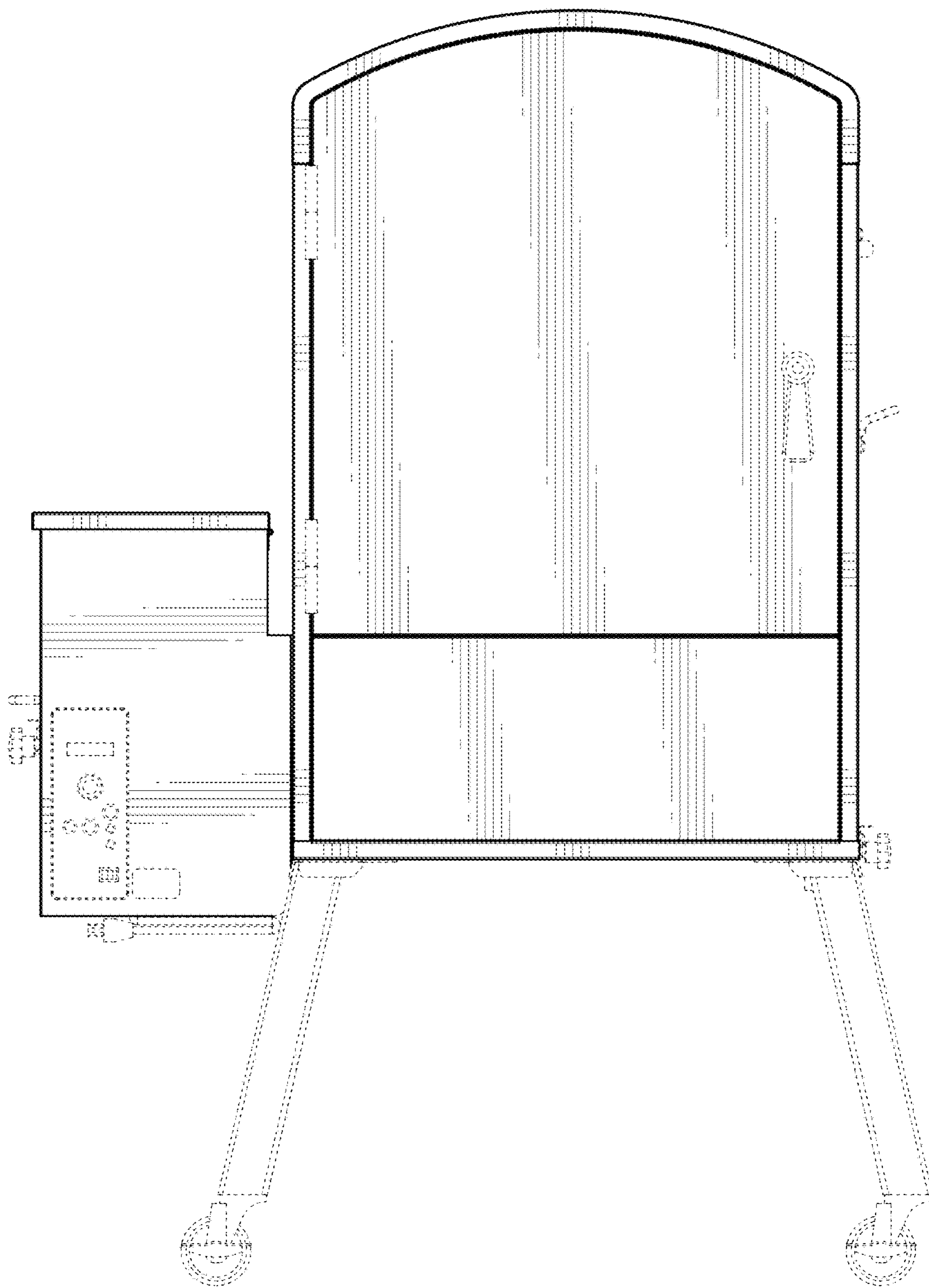


FIG. 2

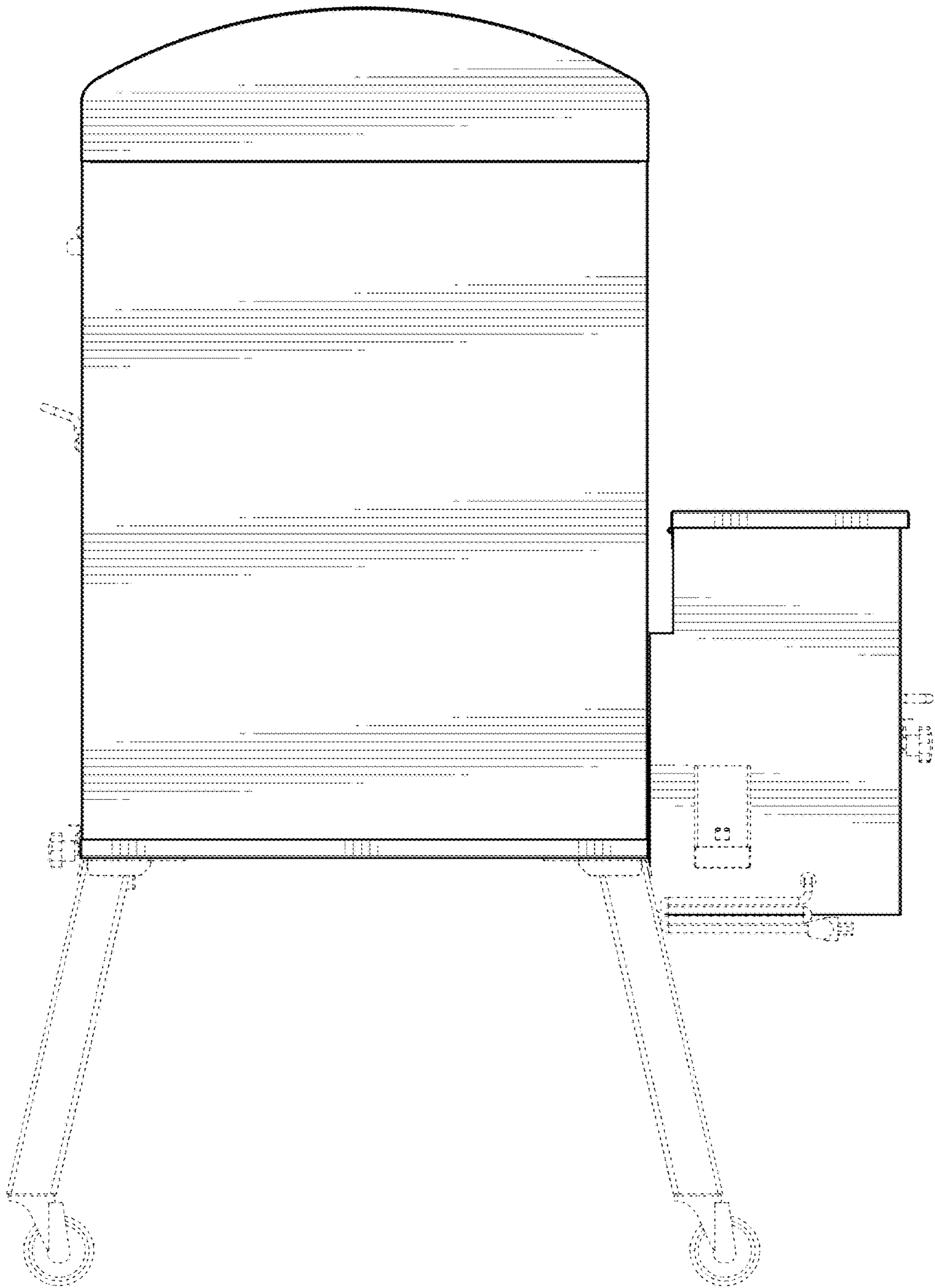


FIG. 3

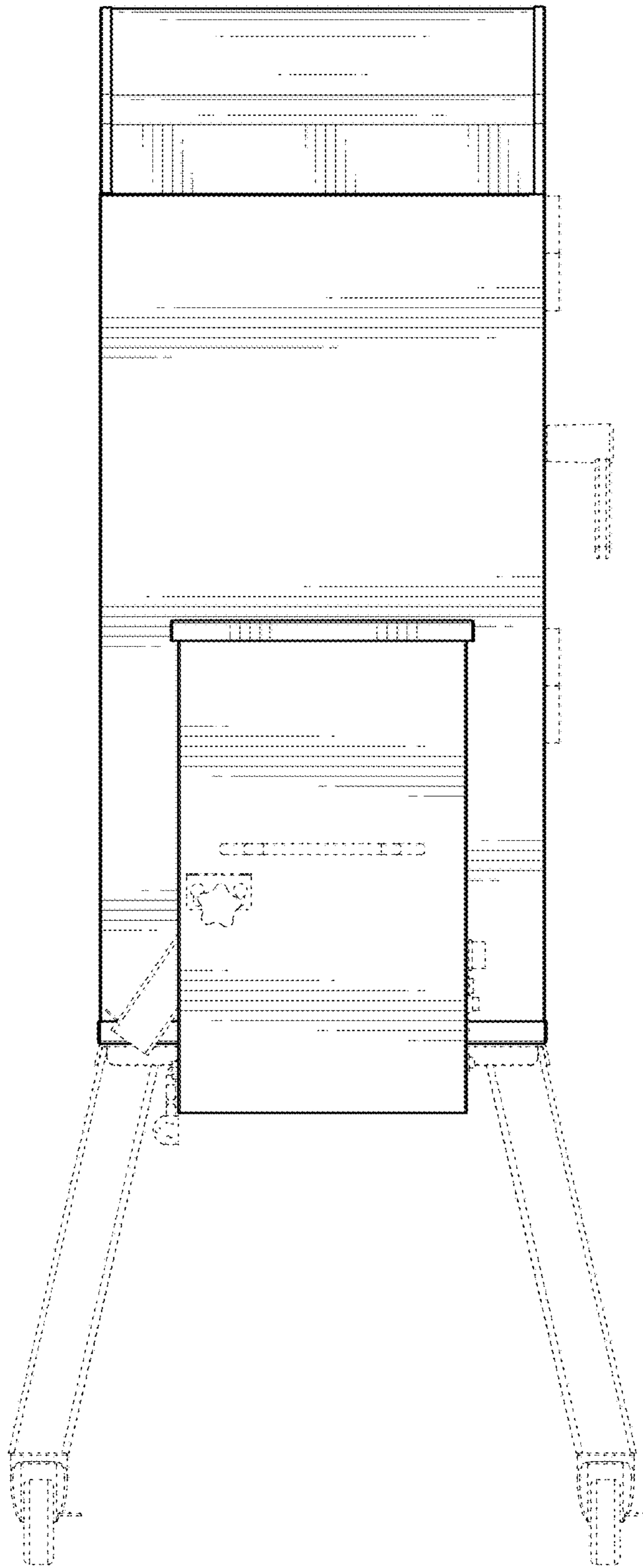


FIG. 4

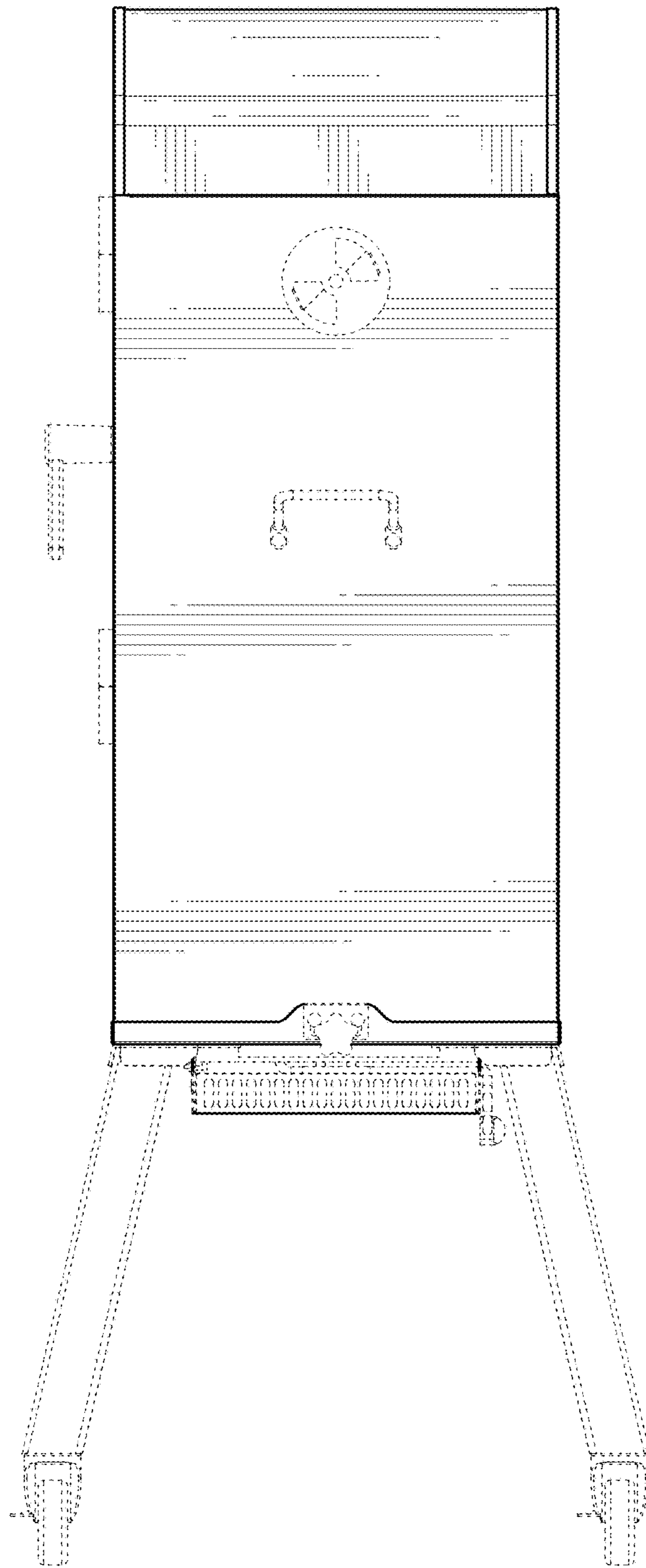


FIG. 5

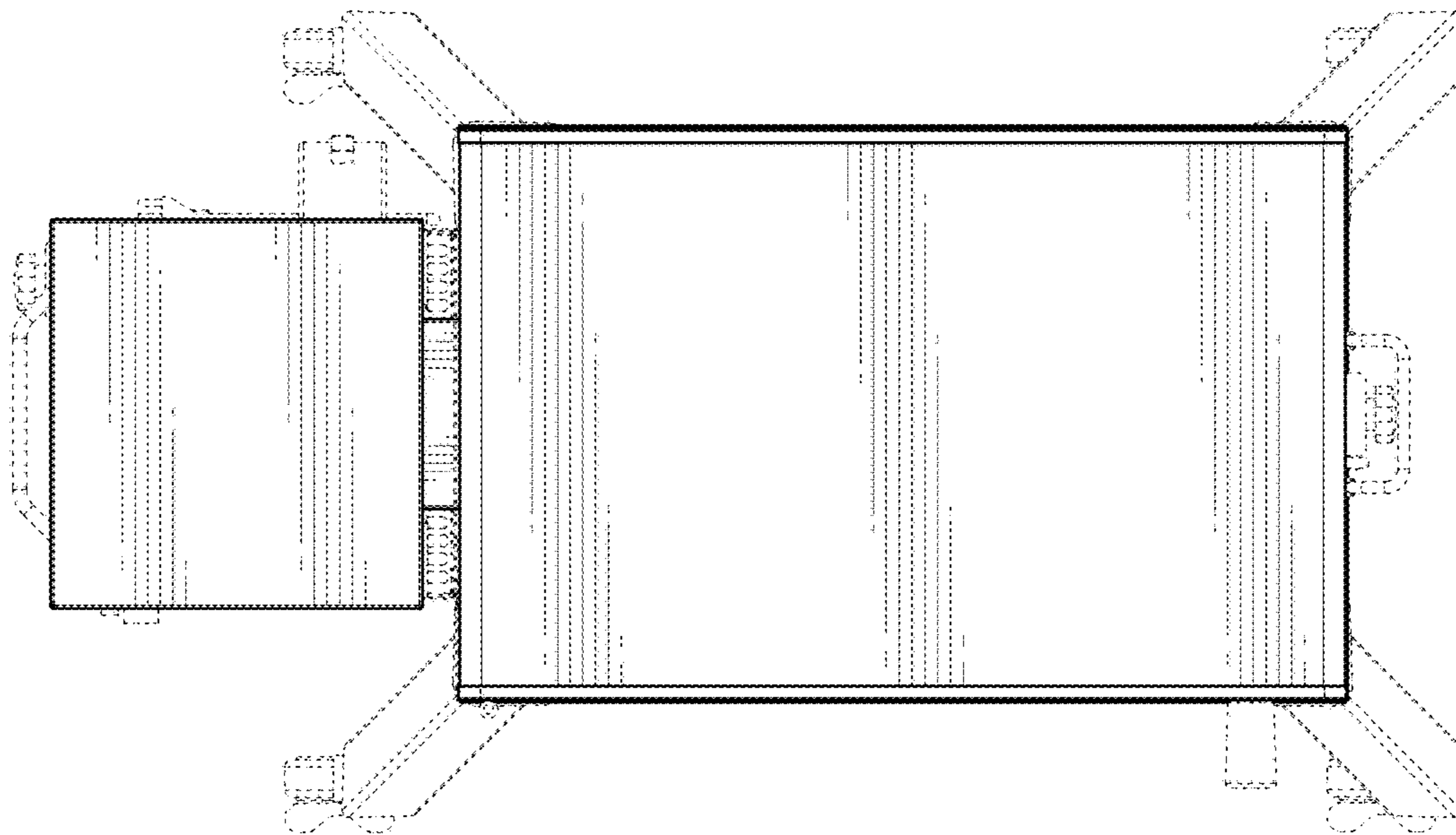


FIG. 6

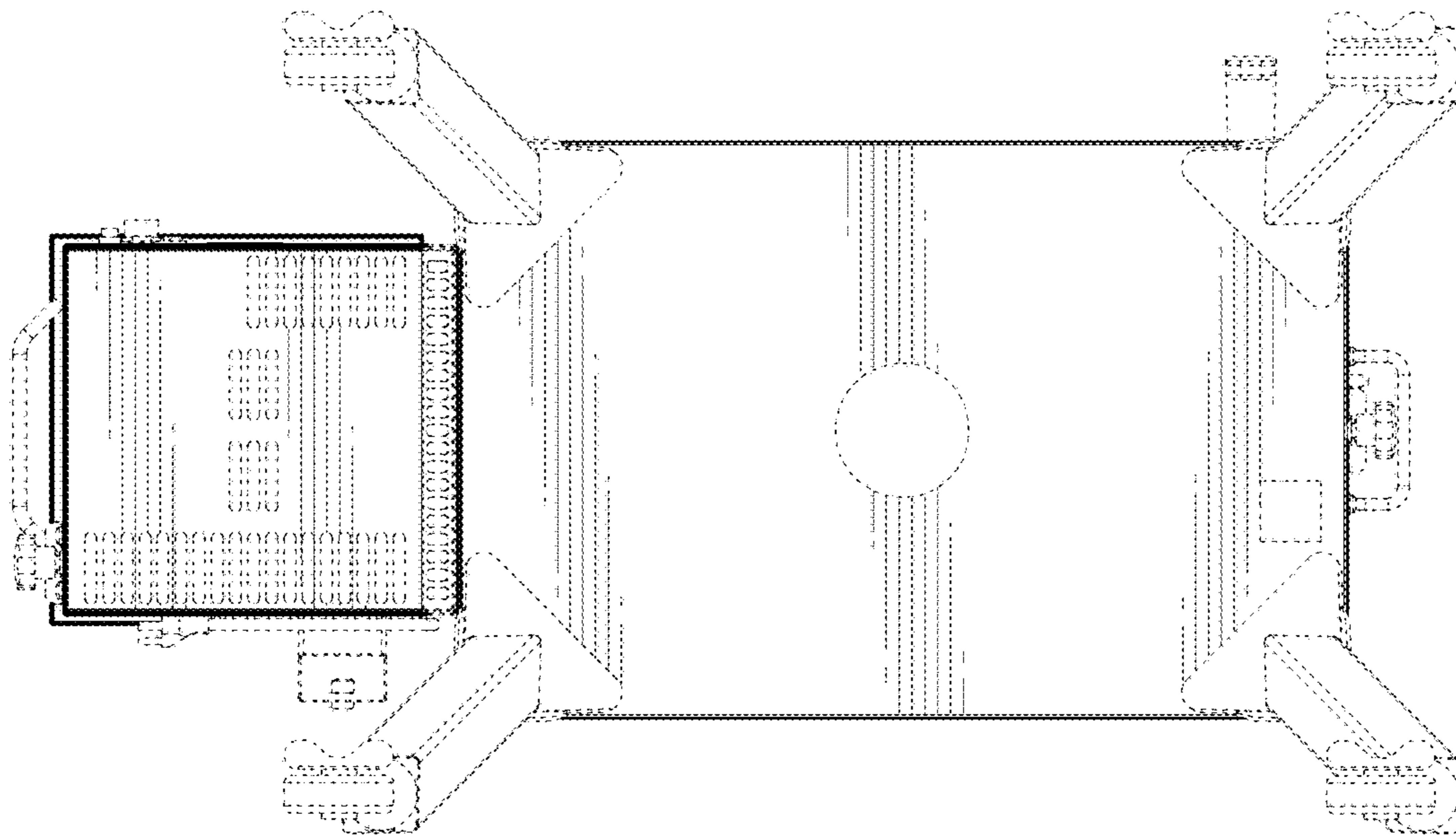


FIG. 7