

US00D826618S

(12) **United States Design Patent**
Hare

(10) **Patent No.:** **US D826,618 S**

(45) **Date of Patent:** **** Aug. 28, 2018**

- (54) **BEVERAGE DISPENSER**
- (71) Applicant: **Charles Christopher Hare**, Franklin, TN (US)
- (72) Inventor: **Charles Christopher Hare**, Franklin, TN (US)
- (**) Term: **15 Years**
- (21) Appl. No.: **29/582,855**
- (22) Filed: **Oct. 31, 2016**
- (51) **LOC (11) Cl.** **07-01**
- (52) **U.S. Cl.**
USPC **D7/313**; D7/306
- (58) **Field of Classification Search**
USPC D7/300, 312, 313, 306, 512; 220/666
CPC B65D 21/086; B65D 77/068; A61J 1/05;
B67D 3/0012
See application file for complete search history.

- 6,708,741 B1 * 3/2004 Berry B67D 3/0009
141/351
- D611,289 S * 3/2010 de Visser D7/309
- D636,214 S * 4/2011 Parker D7/306
- D663,565 S * 7/2012 Yang D7/306
- 8,225,958 B2 * 7/2012 Nielsen B67D 3/045
220/281
- 8,556,124 B2 * 10/2013 Edwards B65D 77/068
222/105
- D713,193 S * 9/2014 English D7/306
- D723,857 S * 3/2015 Saadeh D7/300
- 9,193,512 B2 * 11/2015 Brooks B65D 77/067
- D753,947 S * 4/2016 Saadeh D7/306
- D801,744 S * 11/2017 Gold D7/306
- D813,585 S * 3/2018 Roberts D7/306

(Continued)

Primary Examiner — Marianne Pandozzi
(74) *Attorney, Agent, or Firm* — Patterson Intellectual Property Law, PC

(57) **CLAIM**

What is claimed is the ornamental design for a beverage dispenser, as shown and described.

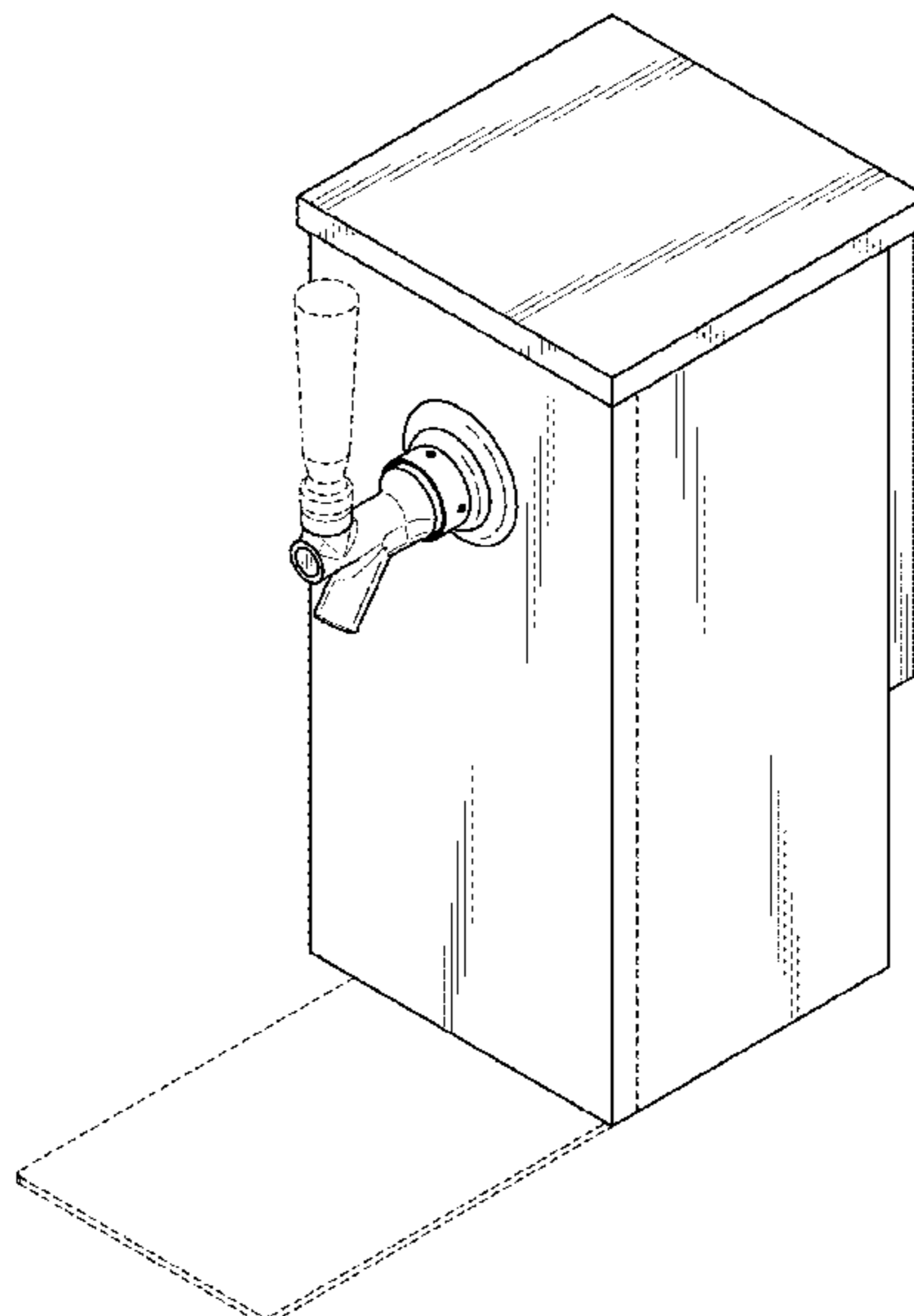
DESCRIPTION

FIG. 1 is a front top perspective view of a beverage dispenser showing my new design;
FIG. 2 is a rear bottom perspective view thereof;
FIG. 3 is a front elevational view thereof;
FIG. 4 is a right elevational view thereof;
FIG. 5 is a rear elevational view thereof;
FIG. 6 is a top plan view thereof;
FIG. 7 is a bottom plan view thereof;
FIG. 8 is an exploded front top perspective view thereof;
and,
FIG. 9 is an exploded front bottom perspective view thereof.
The broken lines in the drawing depict portions of the beverage dispenser that form no part of the claimed design.

1 Claim, 7 Drawing Sheets

(56) **References Cited**
U.S. PATENT DOCUMENTS

- D193,418 S * 8/1962 Skiera et al. D7/300
- 3,069,869 A * 12/1962 Mueller F25D 3/14
62/371
- 3,223,117 A * 12/1965 Curie B65D 47/283
137/556.6
- 3,664,643 A * 5/1972 La Neve B67D 3/0012
366/149
- 3,998,143 A * 12/1976 Frye A47J 31/005
219/436
- D251,299 S * 3/1979 Neel D7/306
- 4,996,847 A * 3/1991 Zickler B67D 3/0009
165/185
- 5,551,600 A * 9/1996 Sasaki B65D 5/606
222/105
- 6,070,771 A * 6/2000 Hart A47J 31/505
222/146.5



(56)

References Cited

U.S. PATENT DOCUMENTS

D814,841 S * 4/2018 Sluiter D7/306
2011/0036864 A1* 2/2011 McKenna B65D 77/065
222/105

* cited by examiner

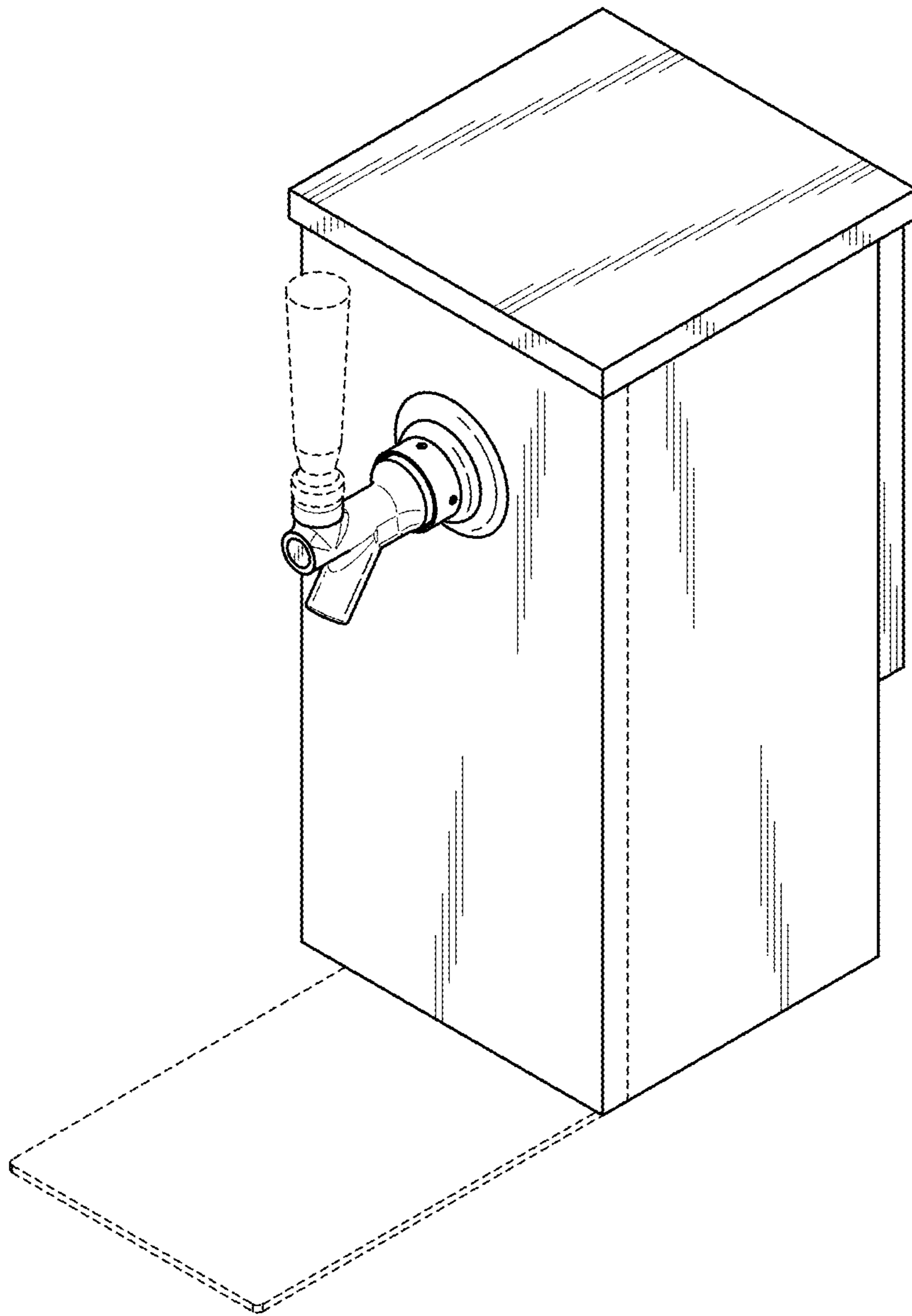


FIG. 1

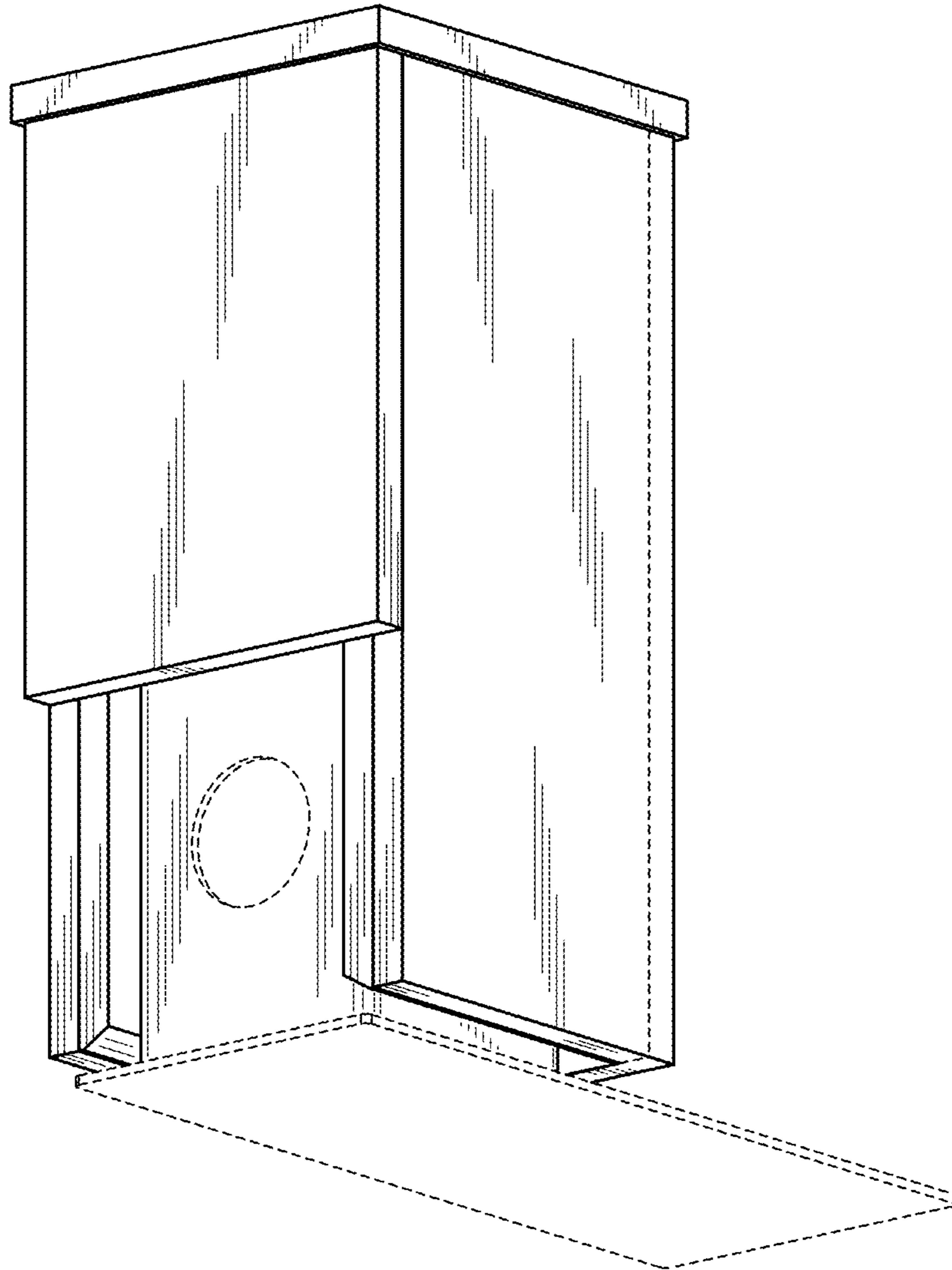


FIG. 2

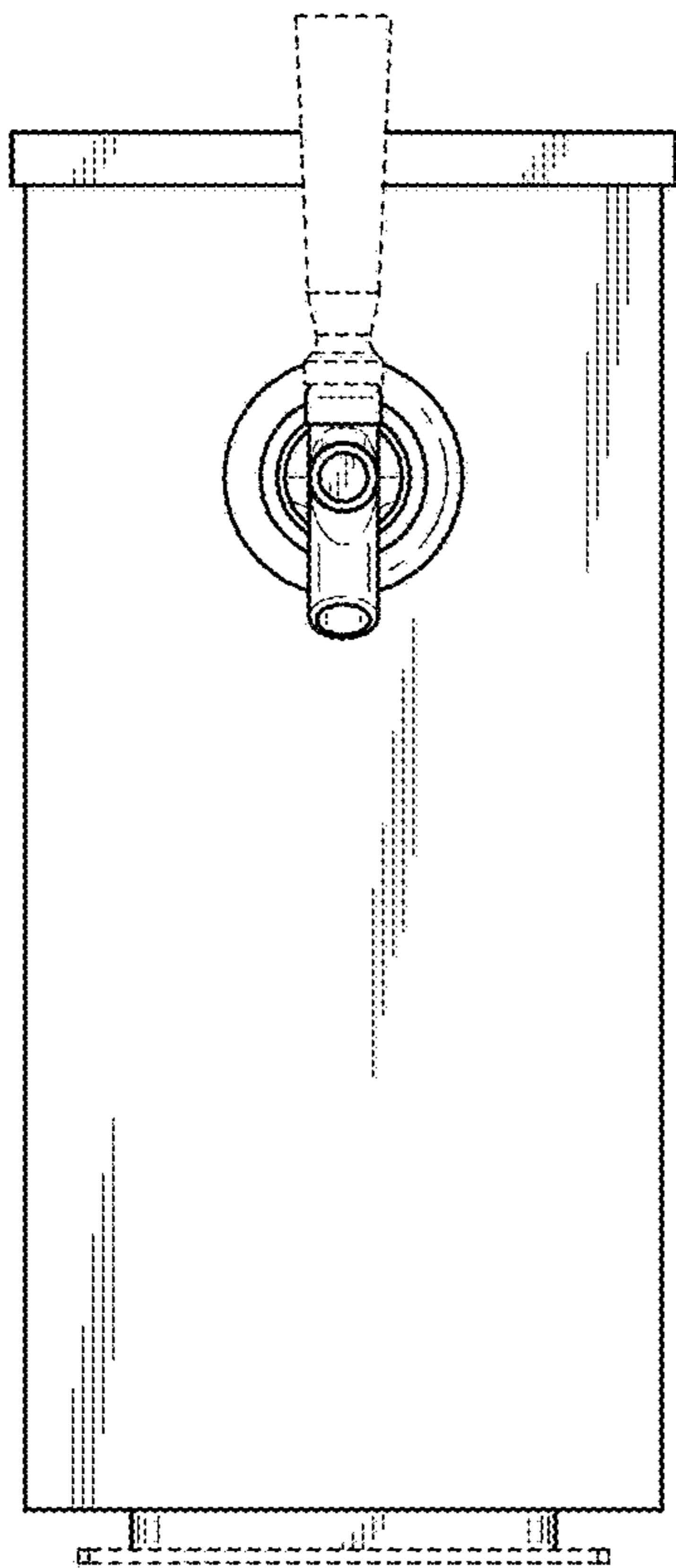


FIG. 3

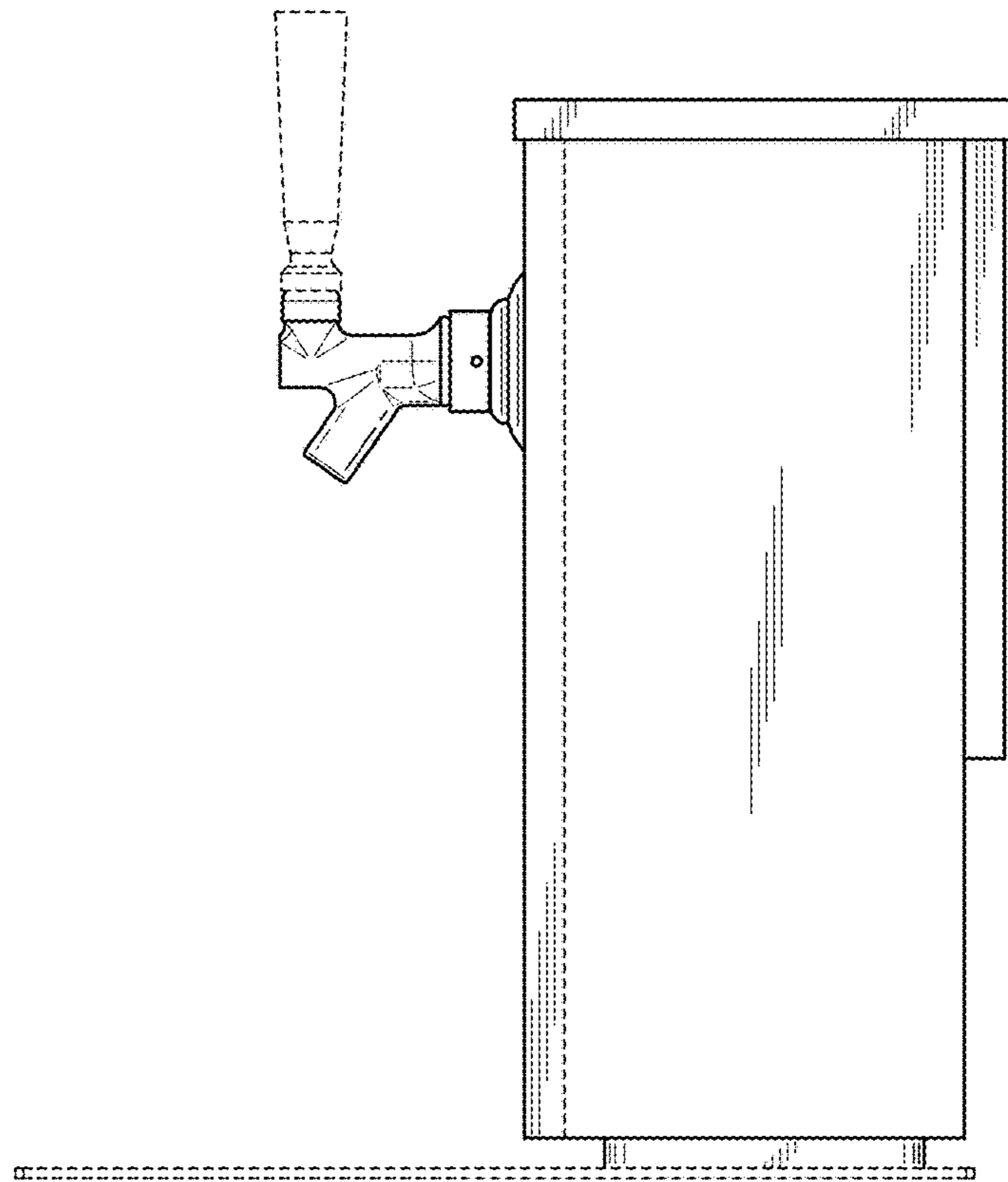


FIG. 4

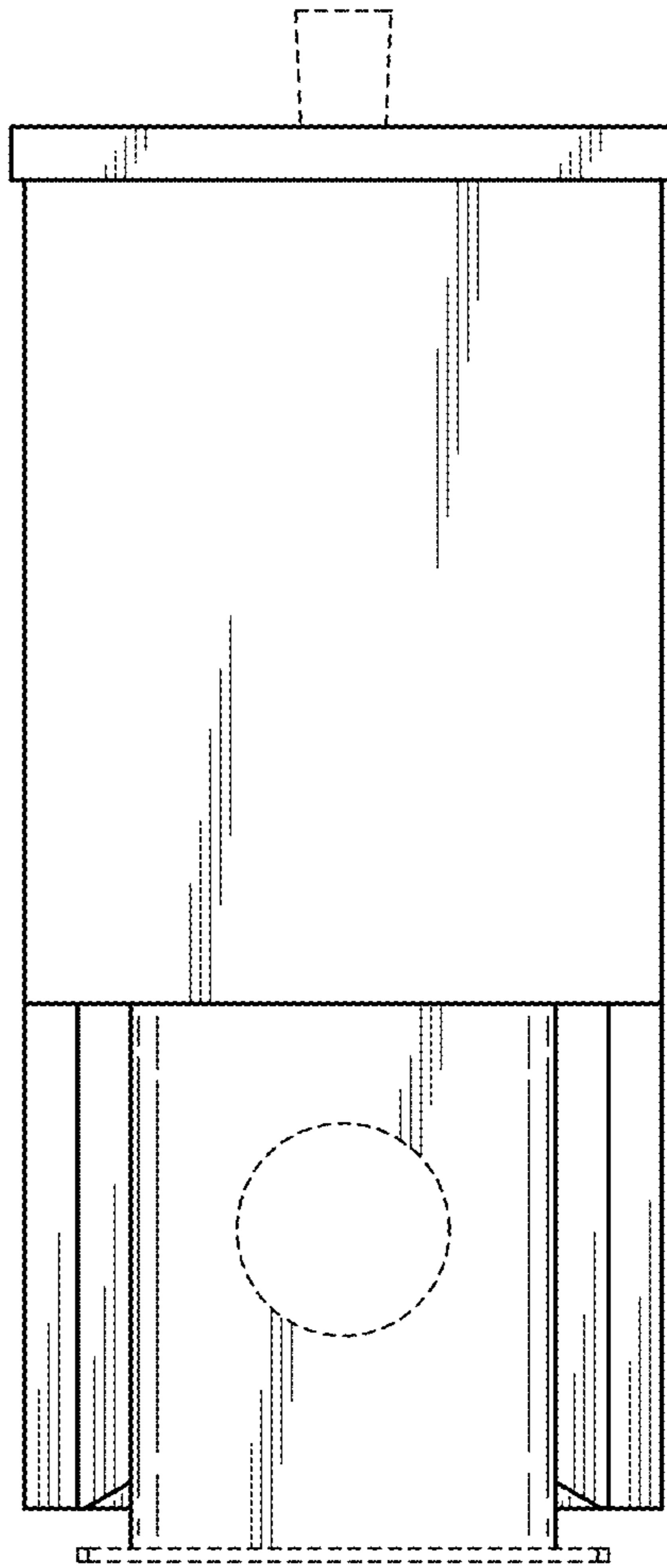


FIG. 5

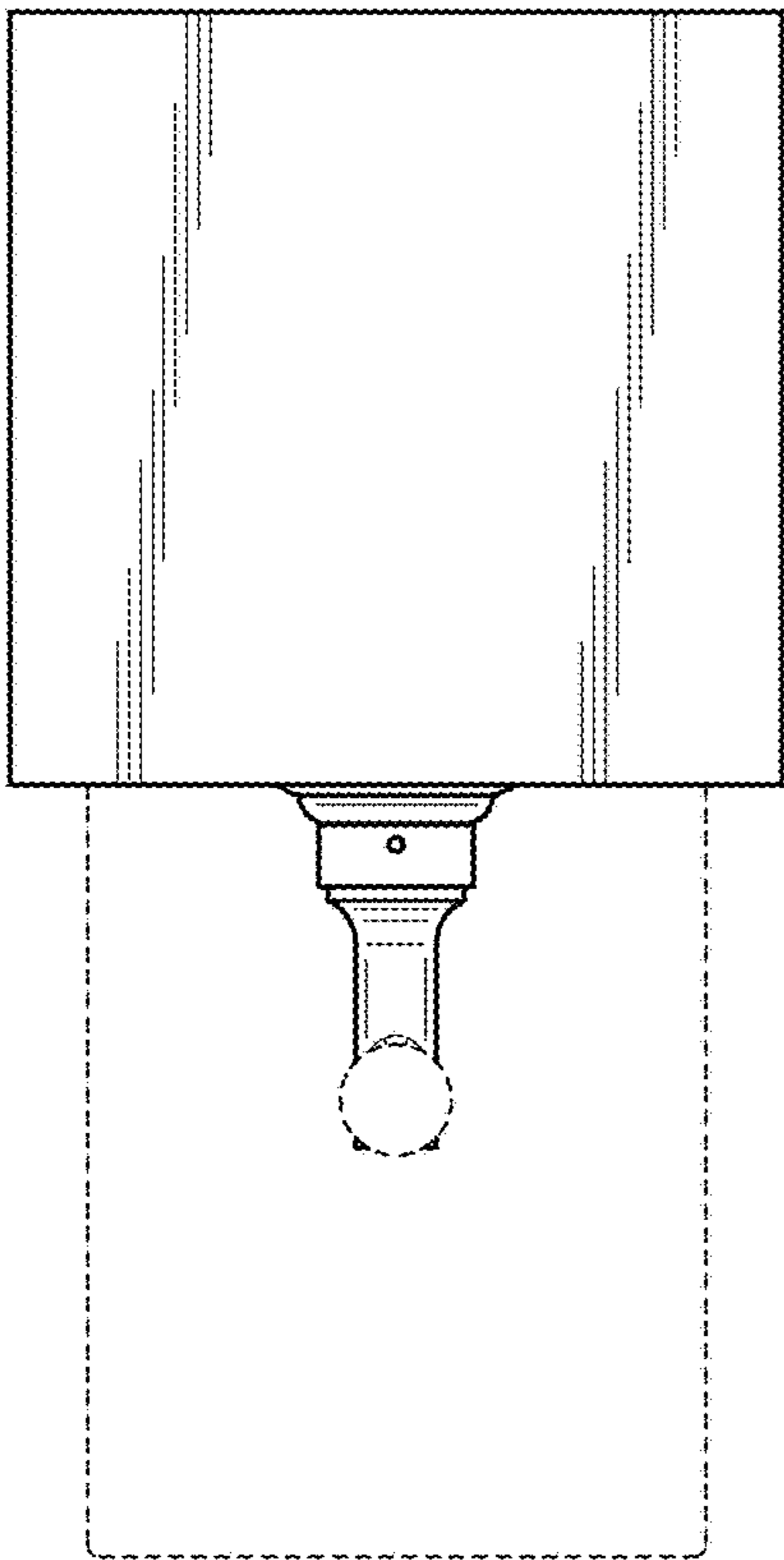


FIG. 6

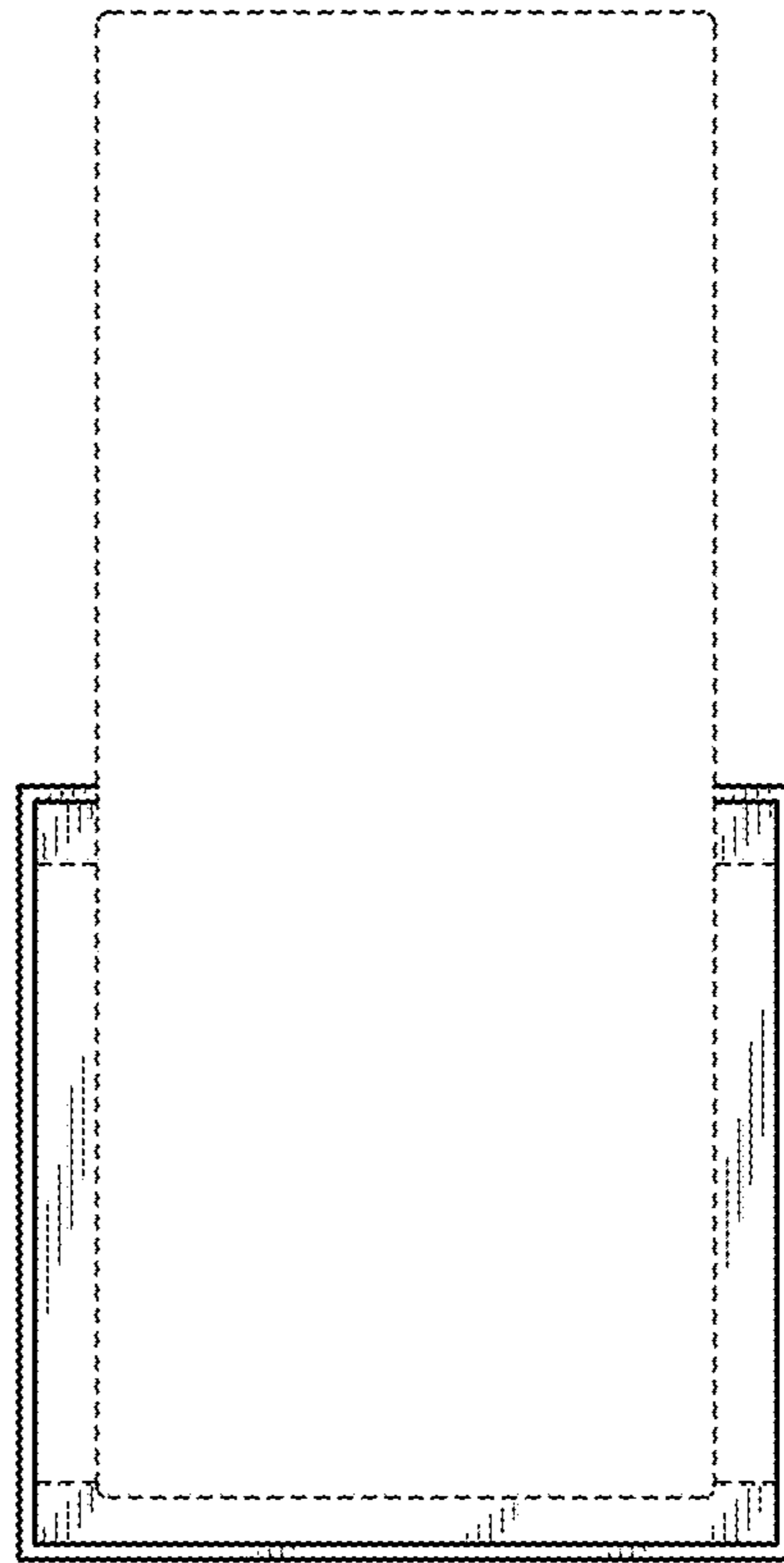


FIG. 7

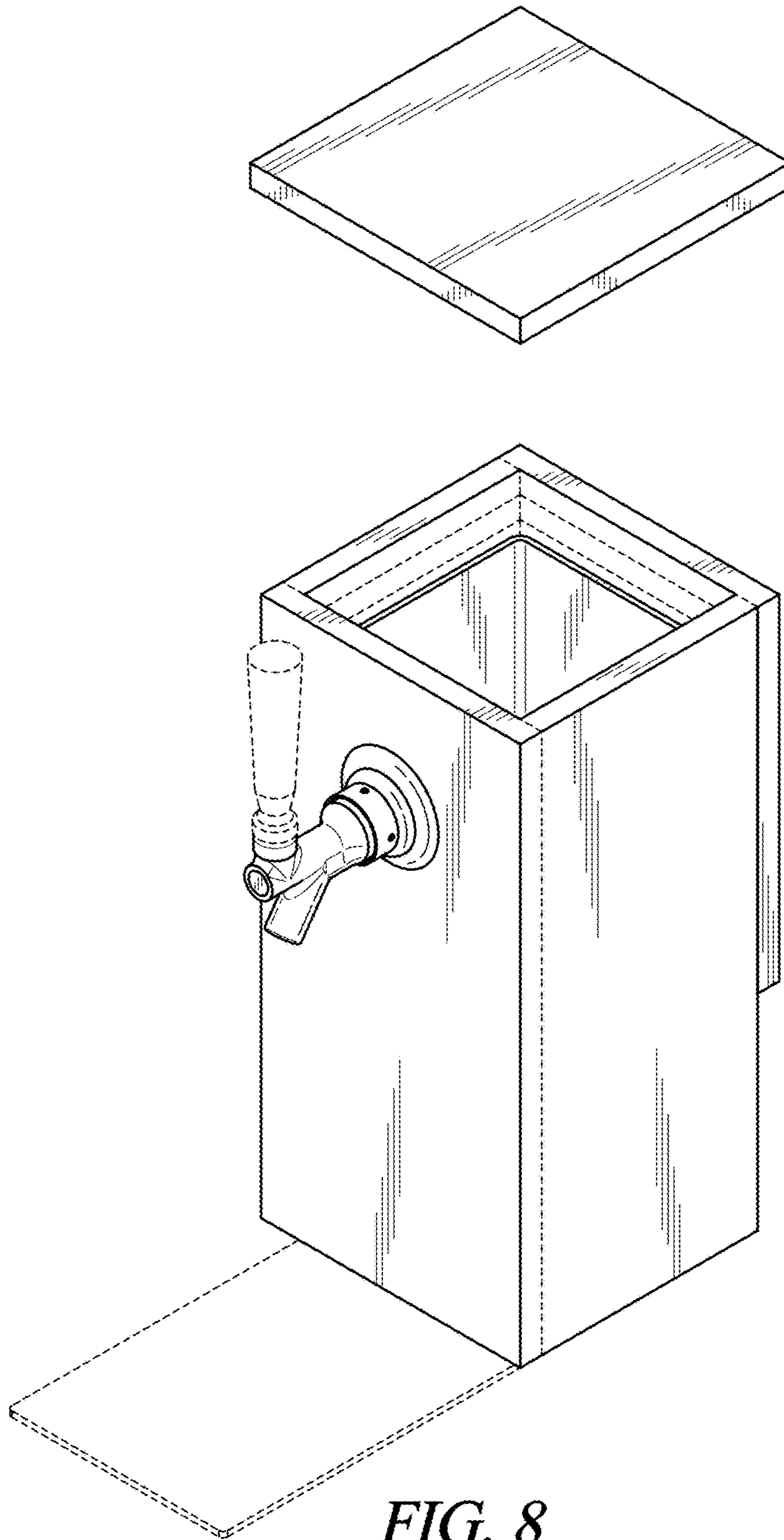


FIG. 8

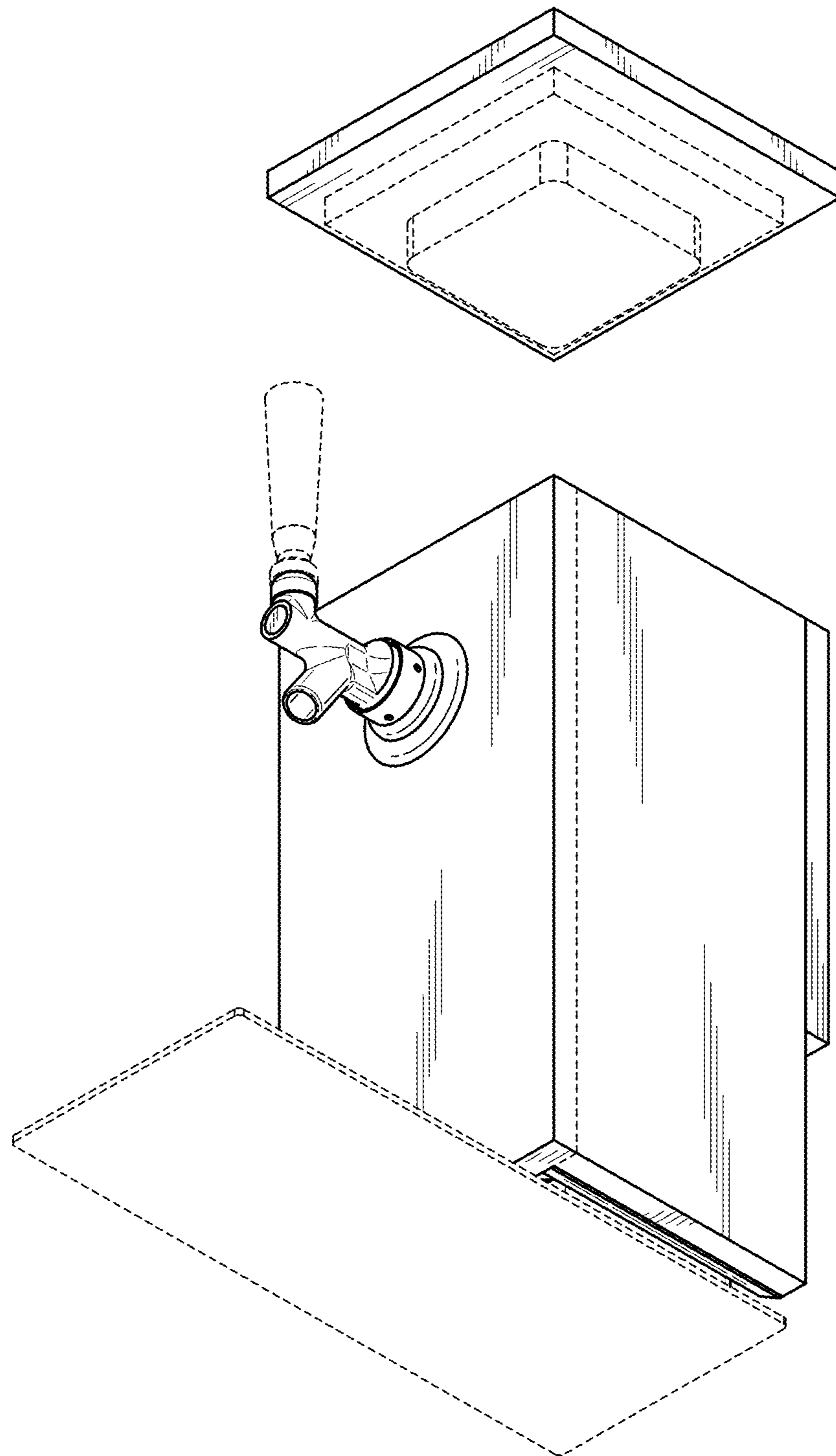


FIG. 9