



US00D826617S

(12) **United States Design Patent** (10) **Patent No.:** **US D826,617 S**
Rider et al. (45) **Date of Patent:** **** Aug. 28, 2018**

(54) **BEVERAGE EXTRACTOR**
(71) Applicant: **Coravin, Inc.**, Burlington, MA (US)
(72) Inventors: **Michael Rider**, Lowell, MA (US); **Otto DeRuntz**, Dunstable, MA (US); **Julianna Miller**, Boston, MA (US); **Scott Stropkay**, Carlisle, MA (US); **Mark Matthews**, Scituate, MA (US)
(73) Assignee: **Coravin, Inc.**, Burlington, MA (US)
(**) Term: **15 Years**

D332,899 S 2/1993 Shun
D333,412 S 2/1993 Levin
D333,947 S 3/1993 Markee et al.
D341,522 S 11/1993 Lamson et al.
D343,097 S 1/1994 Cesari et al.
D428,778 S 8/2000 Kao
D439,808 S 4/2001 McClean et al.
D463,236 S 9/2002 Mauffette
D464,241 S * 10/2002 Sun D8/39
D464,535 S 10/2002 O'Flynn et al.
6,477,920 B1 11/2002 Yang
D466,772 S 12/2002 Mauffette
6,502,481 B1 1/2003 Lin
D471,408 S 3/2003 Fouquet
D471,778 S * 3/2003 Federighi D8/42

(Continued)

(21) Appl. No.: **29/572,405**
(22) Filed: **Jul. 27, 2016**
(51) **LOC (11) Cl.** **07-01**
(52) **U.S. Cl.**
USPC **D7/306**; D7/665; D7/300; D7/312
(58) **Field of Classification Search**
USPC D7/665, 300, 306, 312, 313; D8/42;
222/400.7
CPC ... B65D 83/00; B67D 1/04; D67B 7/00; A47J
31/36
See application file for complete search history.

Primary Examiner — Marianne Pandozzi
(74) *Attorney, Agent, or Firm* — Wolf, Greenfield & Sacks, P.C.

(57) **CLAIM**

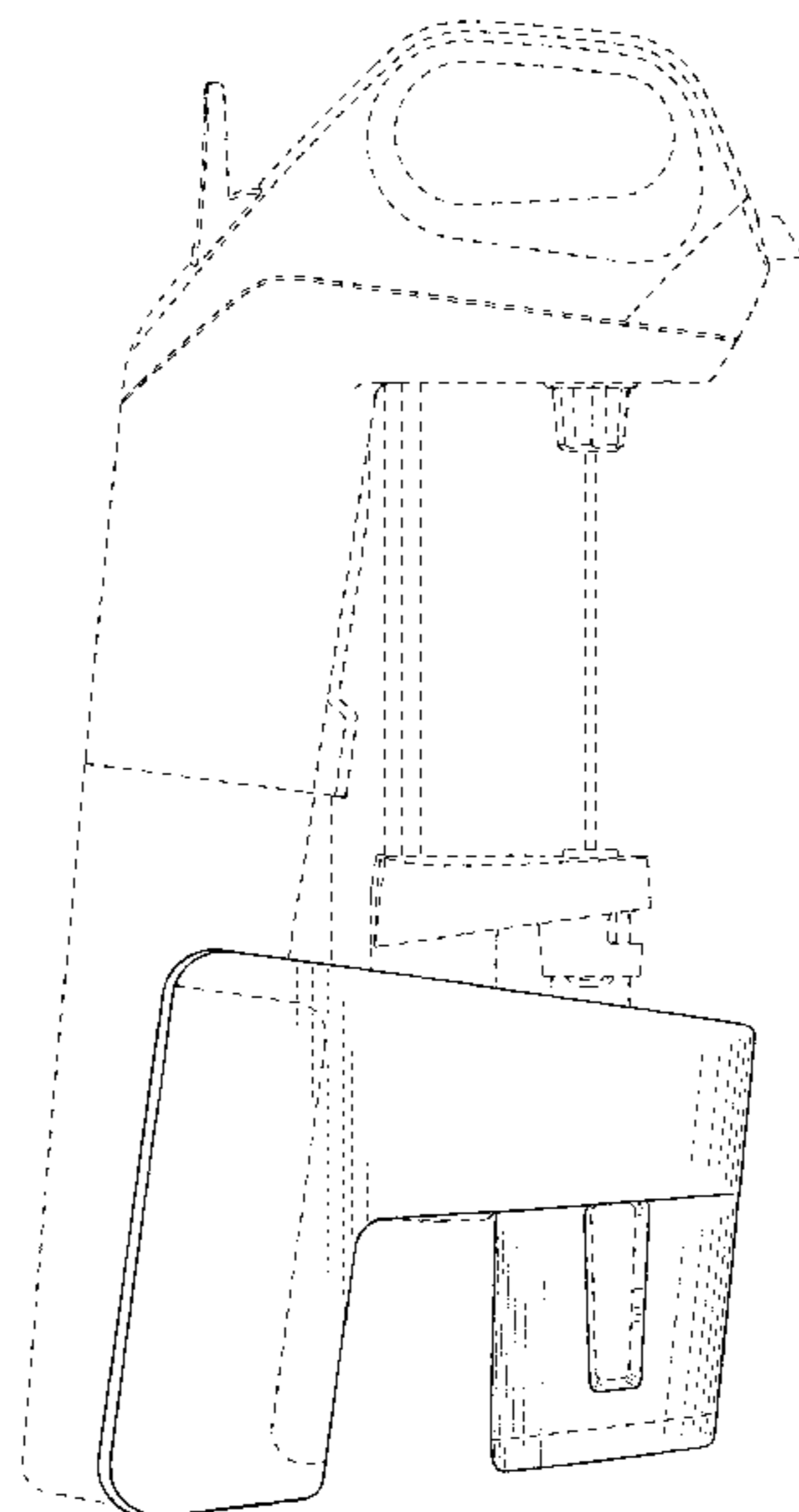
The ornamental design for a beverage extractor, as shown and described.

DESCRIPTION

FIG. 1 is a left side view of a beverage extractor showing our new design, the right side view being a mirror image thereof; FIG. 2 is a front elevation view thereof; FIG. 3 is a rear elevational view thereof; FIG. 4 is a top plan view thereof; FIG. 5 is a bottom plan view thereof; FIG. 6 is a top, front, left side perspective view thereof, the top, front, right side perspective view being a mirror image of FIG. 6; and, FIG. 7 is a top, rear, left side perspective view thereof, the top, rear, right side perspective view being a mirror image of FIG. 7.
The broken lines of the figures represent portions of the beverage extractor that form no part of the claimed design.

1 Claim, 6 Drawing Sheets

(56) **References Cited**
U.S. PATENT DOCUMENTS
D249,441 S 9/1978 Fukumoto et al.
D268,245 S * 3/1983 Makino 81/3.2
D276,788 S * 12/1984 Ravreby D8/42
D285,898 S 9/1986 Stowell et al.
D288,521 S 3/1987 Van Asten
D290,329 S 6/1987 Bulto
4,791,834 A 12/1988 Federighi
D309,082 S 7/1990 Hattle et al.
D309,085 S 7/1990 Usbeck
5,012,703 A 5/1991 Reinbacher
5,020,395 A 6/1991 Mackey
D319,169 S 8/1991 van Asten



(56)

References Cited

U.S. PATENT DOCUMENTS

D477,757 S *	7/2003	Yu	D8/42	8,141,746 B2	3/2012	Lambrecht	
D488,678 S	4/2004	Berthier		D660,660 S	5/2012	Kim	
D491,423 S	6/2004	Stamper, III et al.		D665,632 S	8/2012	Kim et al.	
D498,642 S	11/2004	Huang		D682,629 S	5/2013	Bachmann et al.	
D501,370 S	2/2005	Hensel et al.		D689,353 S	9/2013	Dockser et al.	
D512,882 S	12/2005	Hsu		D700,477 S	3/2014	Kim	
D513,943 S	1/2006	Hsu		D710,659 S	8/2014	Marquez et al.	
D521,813 S	5/2006	Piret		D716,615 S	11/2014	Grossman et al.	
D522,321 S	6/2006	Hsu		D717,578 S	11/2014	Lazaris et al.	
D526,182 S	8/2006	Jackson		D717,613 S	11/2014	Wong	
D527,607 S	9/2006	Jackson		D718,094 S	11/2014	Yan	
D528,873 S	9/2006	Hensel		D721,549 S	1/2015	Li	
D537,303 S	2/2007	Stuckey		9,010,588 B2 *	4/2015	Lambrecht	B67D 1/0412 141/17
D538,115 S	3/2007	Lin		D733,504 S	7/2015	Choi	
D538,116 S	3/2007	Siu		D733,505 S	7/2015	Choi	
D539,624 S	4/2007	Boussemart et al.		D739,686 S	9/2015	Benoit	
D561,547 S	2/2008	Lee		D740,080 S	10/2015	Shao et al.	
D601,391 S	10/2009	Chiang		D741,119 S	10/2015	Wong	
D610,416 S	2/2010	Kushner et al.		D742,183 S	11/2015	Kim et al.	
7,712,637 B2	5/2010	Lambrecht		D743,737 S	11/2015	Benoit et al.	
7,717,027 B2 *	5/2010	Sato	A47J 31/36 99/284	D755,554 S	5/2016	Lazaris et al.	
D616,716 S	6/2010	Chan		D778,125 S	2/2017	Metaxatos et al.	
D618,049 S	6/2010	Wu		D792,729 S *	7/2017	Adewuyi	D7/306
D623,908 S	9/2010	Wu		D794,401 S *	8/2017	Chen	D7/300
D637,863 S	5/2011	Wu		D795,026 S *	8/2017	Fouquet	D7/665
D637,864 S	5/2011	Wu		D799,879 S *	10/2017	Shmueli	D7/306
D638,256 S	5/2011	Wu		D801,129 S *	10/2017	Metaxatos	D7/665
D638,665 S	5/2011	Wu		D802,976 S *	11/2017	Buchik	D7/313
D641,214 S	7/2011	Choi		2003/0033907 A1	2/2003	Lian	
D643,265 S	8/2011	Kim et al.		2004/0226409 A1	11/2004	Lin	
8,033,431 B2 *	10/2011	Sommerfield	B67D 1/0412 222/129	2011/0056998 A1	3/2011	Lambrecht	
				2014/0183227 A1 *	7/2014	Barnini	B67D 1/0412 222/152
				2016/0044951 A1	2/2016	Bucklew et al.	
				2016/0066616 A1	3/2016	Yamaguchi et al.	

* cited by examiner

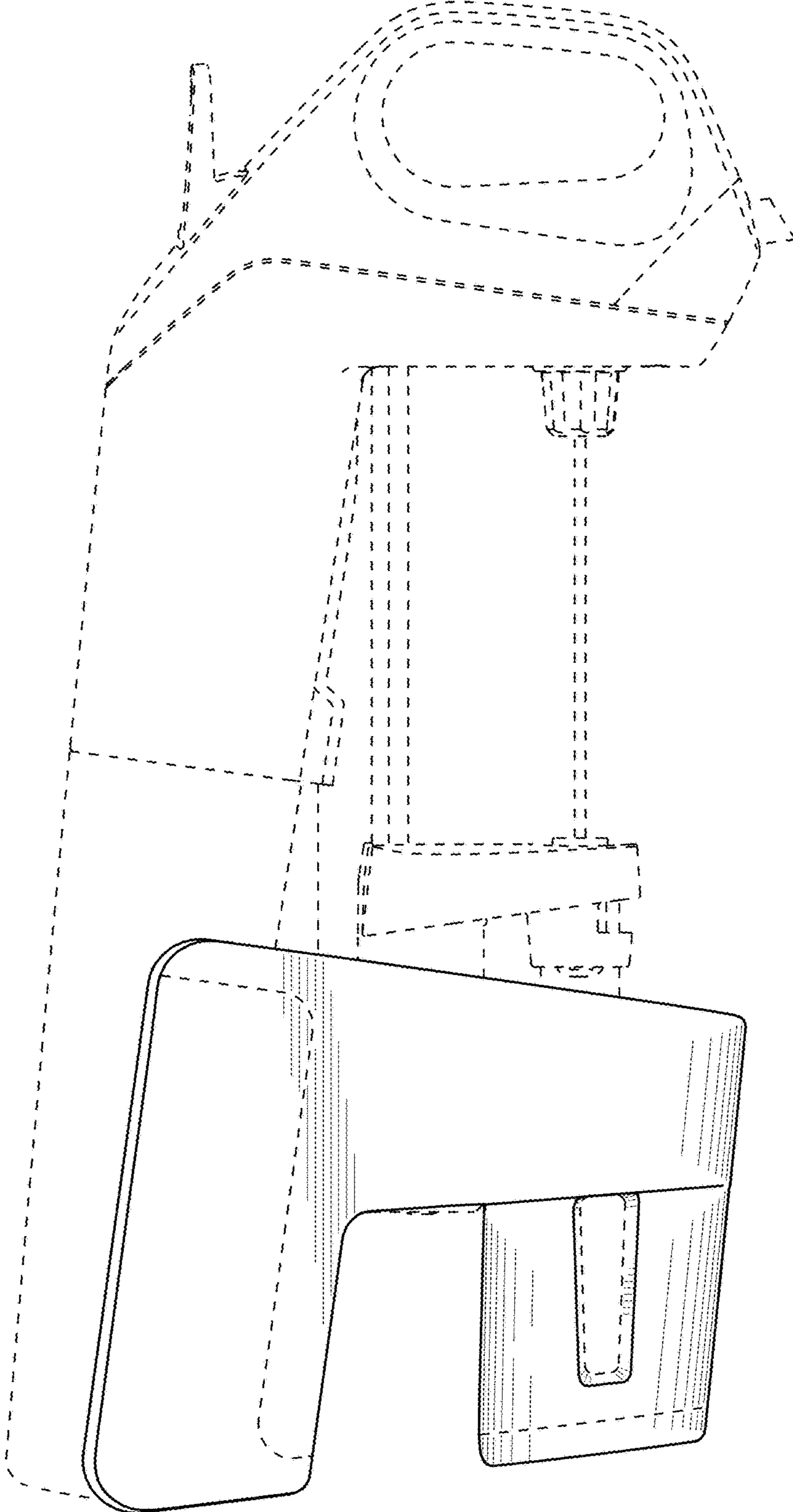


FIG. 1

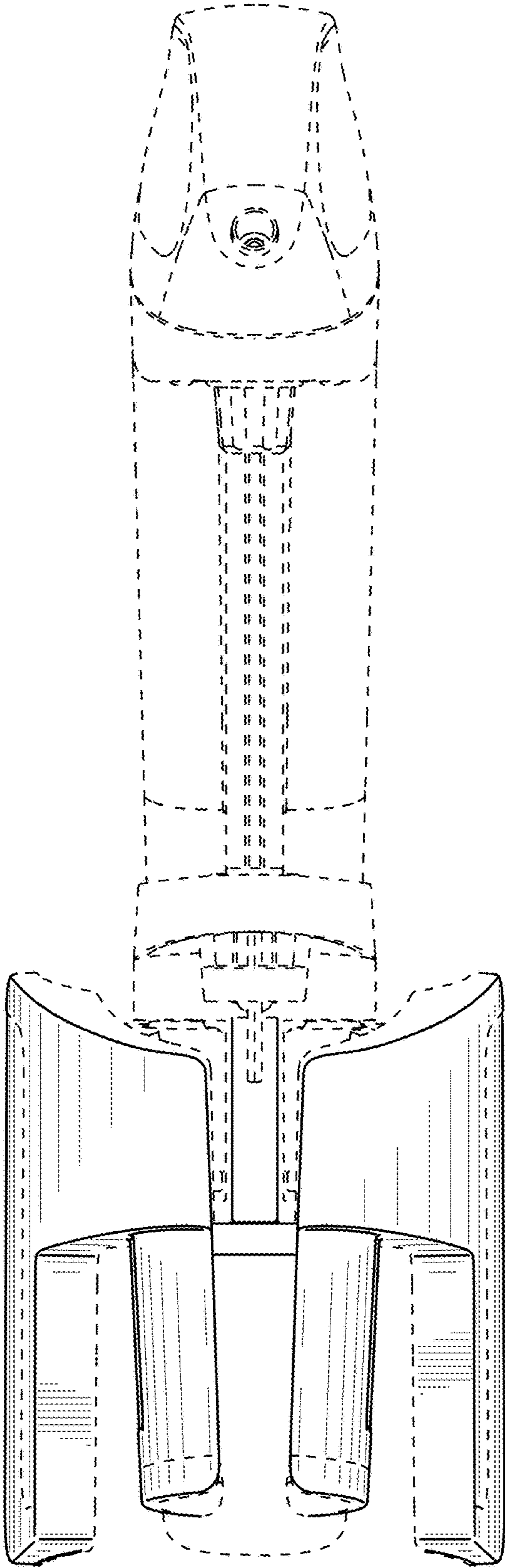


FIG. 2

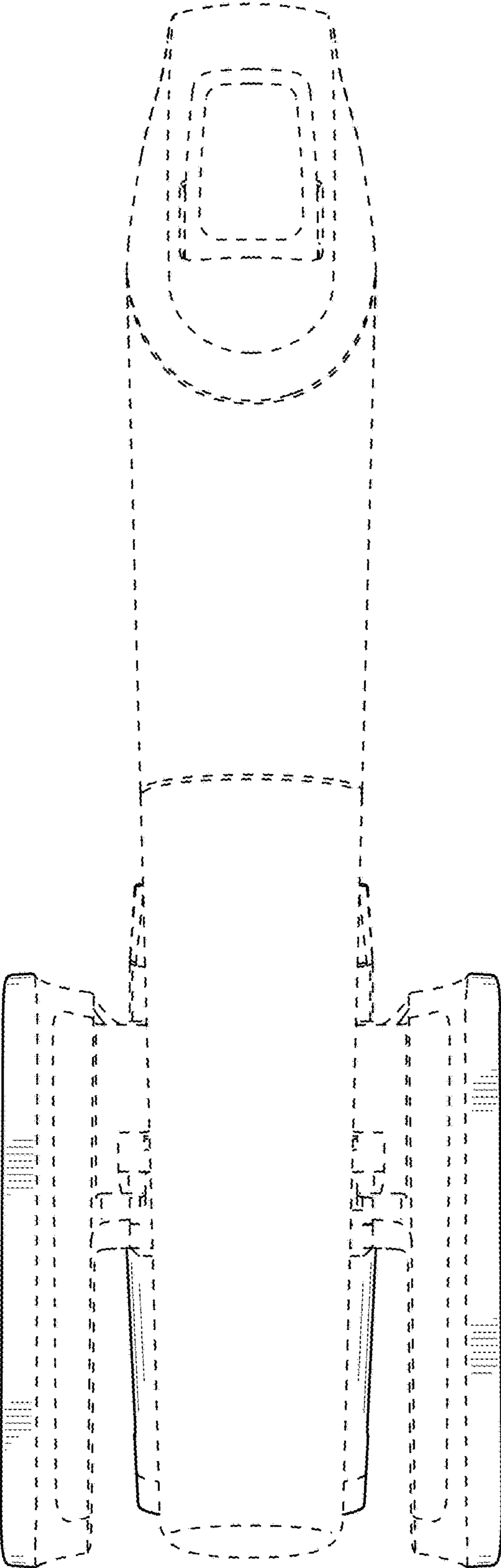


FIG. 3

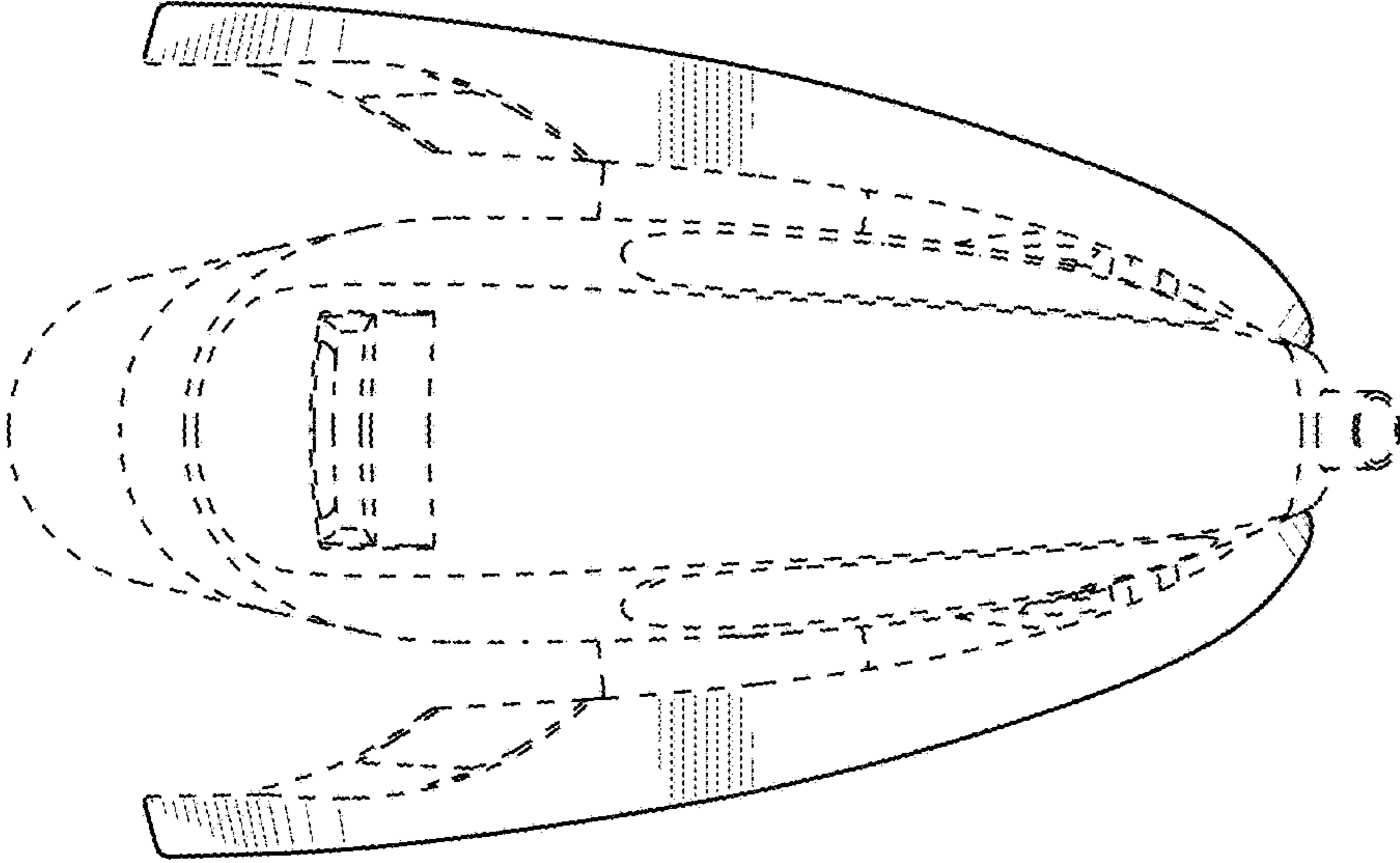


FIG. 4

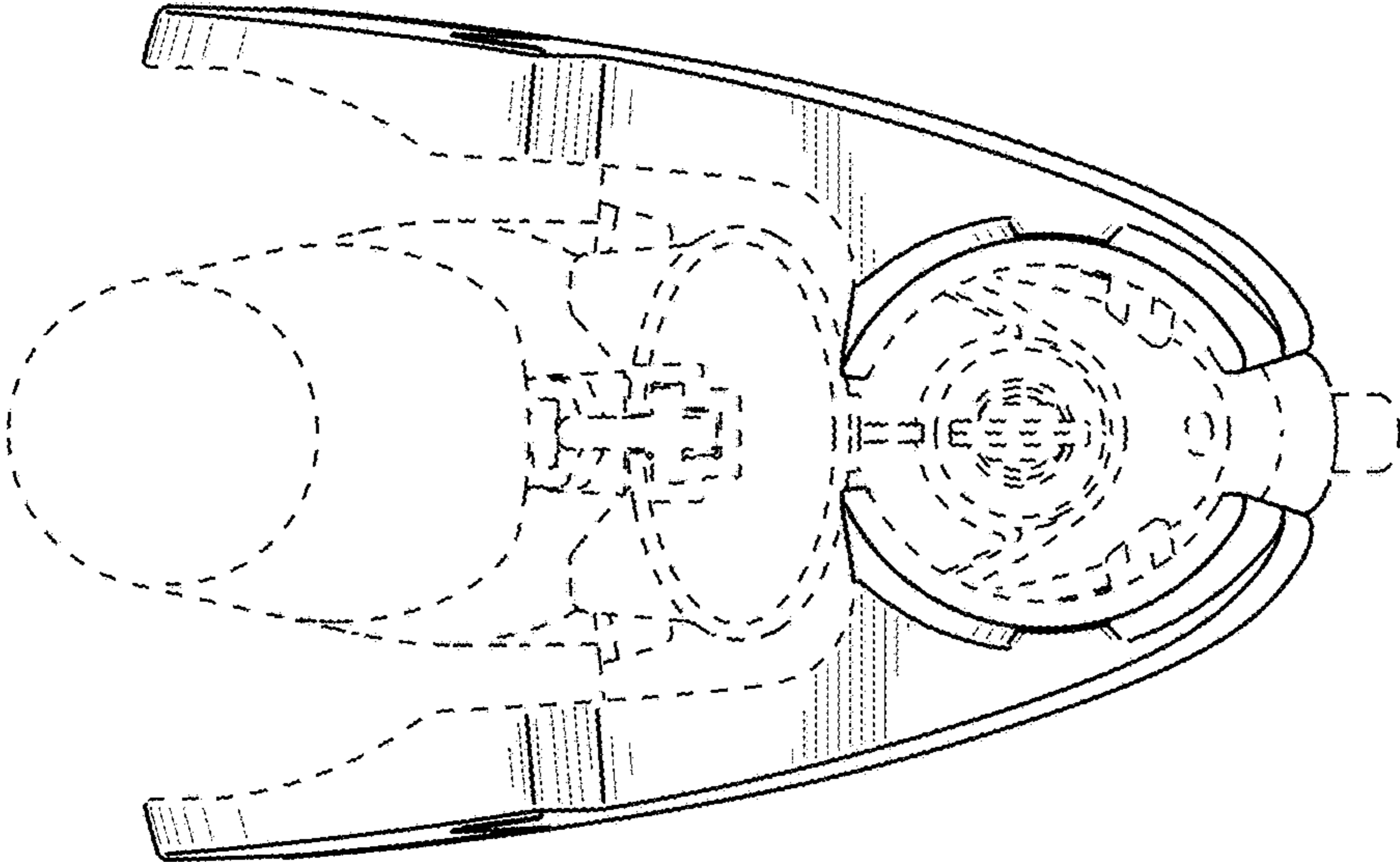


FIG. 5

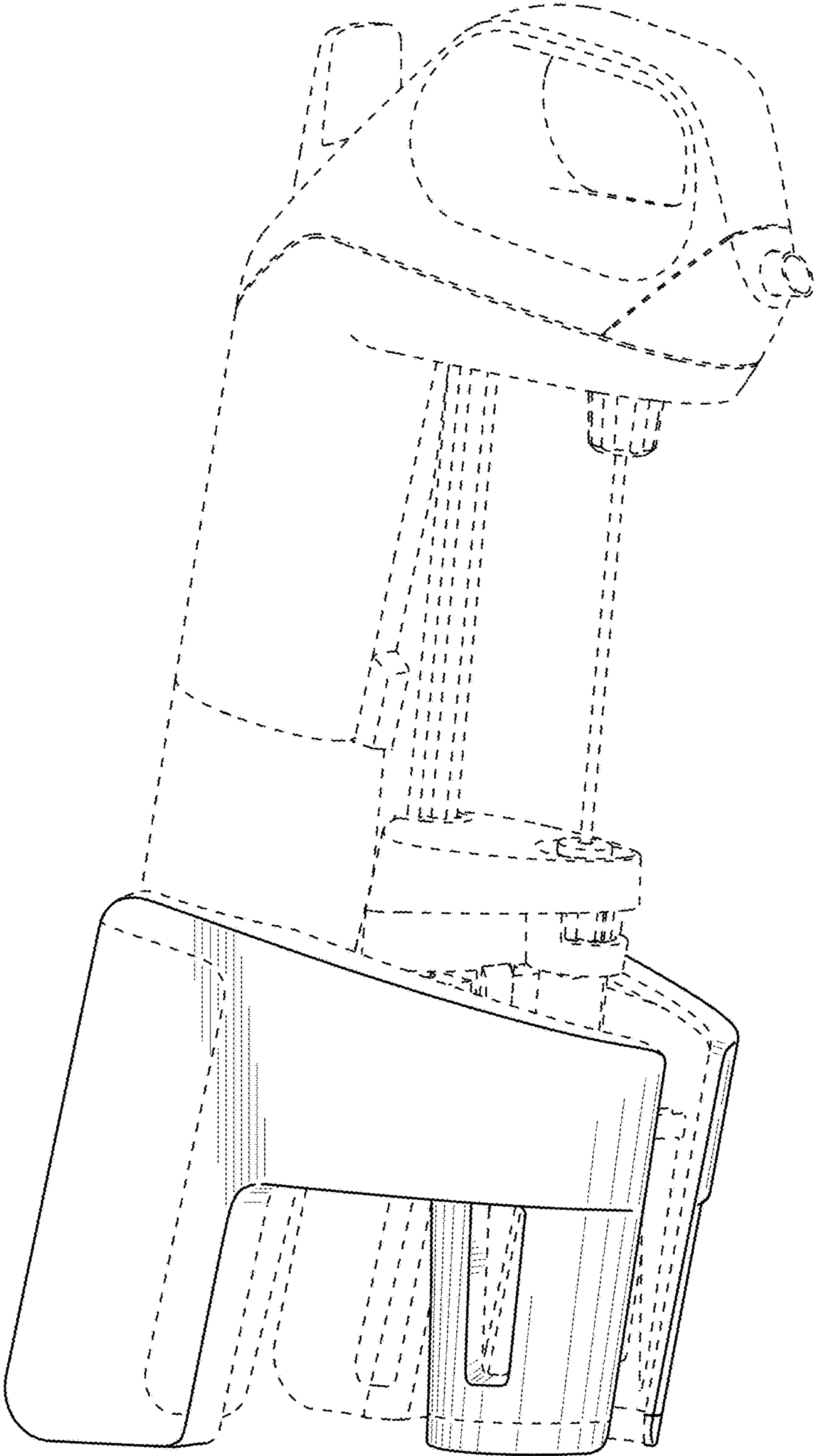


FIG. 6

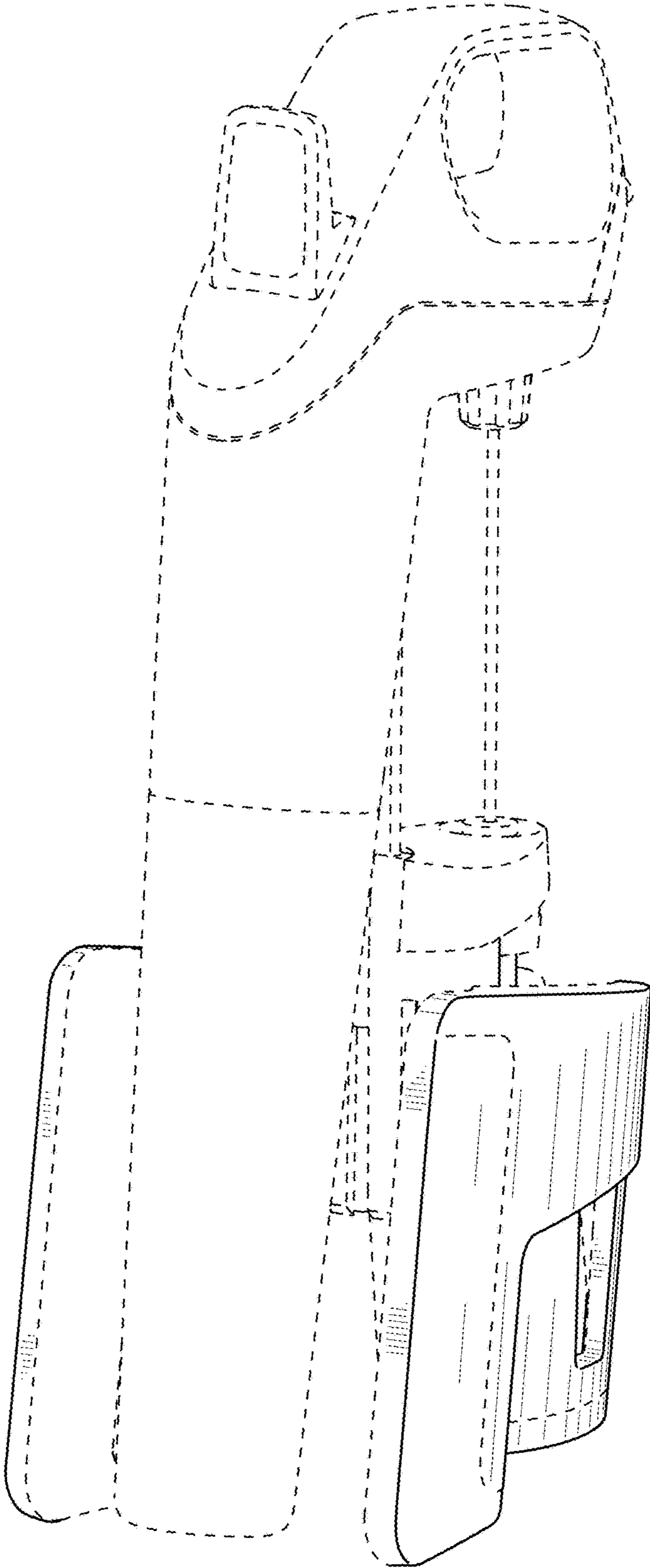


FIG. 7