



US00D826612S

(12) **United States Design Patent** (10) **Patent No.:** **US D826,612 S**  
**Nelson** (45) **Date of Patent:** **\*\* Aug. 28, 2018**

(54) **LETTER S CHAIR**

(56) **References Cited**

(71) Applicant: **Sender's Construction, LLC**, Polk City, IA (US)

U.S. PATENT DOCUMENTS

(72) Inventor: **Keith Nelson**, Grimes, IA (US)

3,485,527 A	12/1969	Barghout	
D239,345 S	3/1976	Keller	
D341,954 S	12/1993	Thompson	
D376,465 S	12/1996	Haro	
6,135,548 A	10/2000	McGuire	
D489,193 S	5/2004	Muller	
D498,069 S	11/2004	Kreiss	
D502,015 S	2/2005	Hollett	
D526,545 S	8/2006	Sanderson	..... D8/28
D537,263 S	2/2007	Berry	
D549,970 S	9/2007	Bouroullec	

(73) Assignee: **Sender's Construction, LLC**, Polk City, IA (US)

(\*\*) Term: **15 Years**

(21) Appl. No.: **29/622,770**

(Continued)

(22) Filed: **Oct. 19, 2017**

**Related U.S. Application Data**

(63) Continuation of application No. 29/599,429, filed on Apr. 3, 2017, now Pat. No. Des. 807,092, which is a continuation of application No. 29/572,875, filed on Aug. 1, 2016, now Pat. No. Des. 786,596, which is a continuation of application No. 29/550,416, filed on Jan. 4, 2016, now Pat. No. Des. 765,452, which is a continuation of application No. 29/531,933, filed on Jun. 30, 2015, which is a continuation of application No. 29/475,661, filed on Dec. 5, 2013, now Pat. No. Des. 735,511, which is a continuation of application No. 29/393,407, filed on Jun. 3, 2011, now Pat. No. Des. 699,993.

(51) **LOC (11) Cl.** ..... **06-06**

(52) **U.S. Cl.**  
USPC ..... **D6/716**

(58) **Field of Classification Search**  
USPC ..... D6/334, 341, 371-375, 381, 491-492, D6/500-502, 702, 716-716.1; 297/232-233, 239, 300.1, 311, 353, 297/445.1, 446.1, 448.1, 448.2, 452.11  
CPC .... A47C 4/02; A47C 4/03; A47C 7/16; A47C 7/36; A47C 3/14  
See application file for complete search history.

OTHER PUBLICATIONS

Chauhan, Shikha, Hometone "Amazing Alphabet Furniture for Kindergarten of Comfort", Sep. 23, 2009, <http://www.hometone.com/entry/amazing-alphabet-furniture-for-kindergarten-of-comfort> [retrieved from the Internet on Aug. 17, 2012], 8 pages.

(Continued)

*Primary Examiner* — Kelley Donnelly

(74) *Attorney, Agent, or Firm* — McKee, Voorhees & Sease, PLC

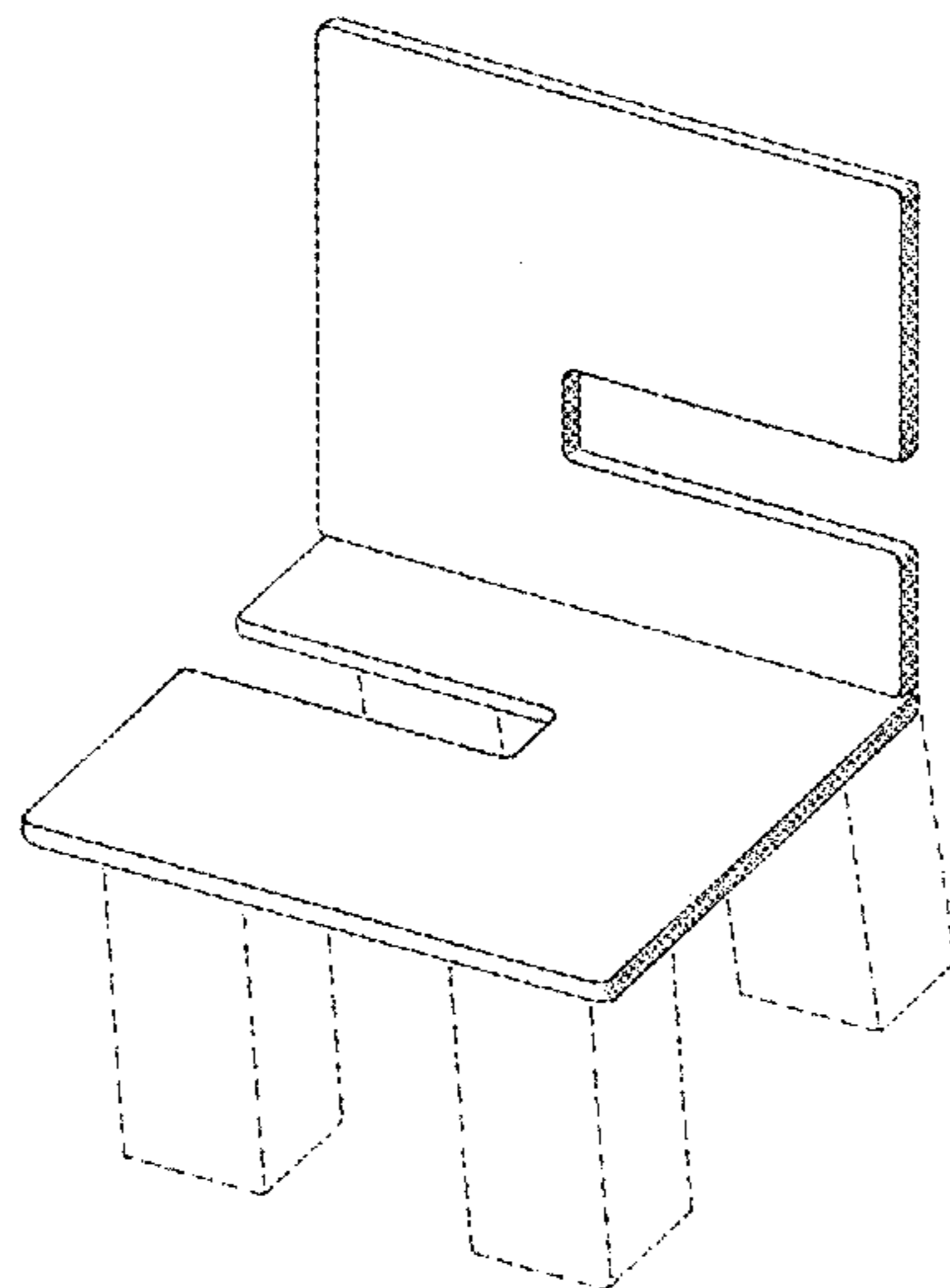
(57) **CLAIM**

The ornamental design for the letter S chair, as shown and described.

**DESCRIPTION**

FIG. 1 is a perspective view of the letter "S" chair.  
FIG. 2 is a rear view of the letter "S" chair.  
FIG. 3 is a front view of the letter "S" chair.  
FIG. 4 is a top view of the letter "S" chair.  
FIG. 5 is a side view of the letter "S" chair; and,  
FIG. 6 is a side view of the letter "S" chair.  
The broken lines depict environmental subject matter only and form no part of the claimed design.

**1 Claim, 6 Drawing Sheets**



(56)

**References Cited**

U.S. PATENT DOCUMENTS

D555,381 S 11/2007 Swanson  
 D568,626 S 5/2008 Gharabegian  
 D572,928 S 7/2008 Rittfeldt  
 D595,515 S 7/2009 Collette  
 D601,357 S 10/2009 Siegel  
 D609,489 S 2/2010 Adams  
 D646,096 S 10/2011 Langbord  
 D653,886 S 2/2012 Lucci  
 D656,337 S 3/2012 Townsend  
 D668,469 S 10/2012 Siegel  
 D672,579 S 12/2012 Vass  
 D676,690 S 2/2013 Pheasant  
 D697,352 S 1/2014 Skalka  
 D699,993 S 2/2014 Nelson  
 D708,451 S 7/2014 Gashcy et al.  
 D720,862 S \* 1/2015 McDonald, Jr. .... D24/215  
 D731,802 S 6/2015 McKenna  
 D735,511 S 8/2015 Nelson  
 D738,657 S 9/2015 Robins  
 D742,534 S \* 11/2015 Bains ..... D24/214  
 D743,712 S 11/2015 Behar et al.  
 D747,893 S 1/2016 Nikolajsen  
 D749,868 S 2/2016 Nikolajsen  
 D752,893 S 4/2016 Behar et al.  
 D761,606 S 7/2016 Piretti  
 D765,452 S 9/2016 Nelson  
 D769,632 S 10/2016 Bullejos

D786,596 S 5/2017 Nelson  
 D811,792 S \* 3/2018 Guck ..... D6/716  
 D812,390 S \* 3/2018 Liu ..... D6/374  
 D813,526 S \* 3/2018 Lee ..... D3/211  
 2011/0181085 A1 7/2011 Pfeifer et al.

OTHER PUBLICATIONS

Ohri, Priyanka, Hometome “Amazing with alphabet letters for unusual home decor”, Nov. 19, 2009, <http://www.hometone.com/entry/playing-with-alphabet-letters-for-unusual-home-decor> [retrieved from the Internet on Aug. 17, 2012], 13 pages.  
 Roeland Otten “ABChairs (2010)”, <http://www.roelandotten.com> [retrieved from the Internet on Aug. 17, 2012], 3 pages.  
 Paul, Rebecca, Inhabitat, “Hair Chair: A Furry Alphabet Letter Chair Made from Corrugated Cardboard” May 19, 2011, <http://inhabitat.com/hair-chair-a-furry-alphabet-letter-chair-made-from-corrugated-cardboard>, [retrieved from the Internet on Aug. 17, 2012], 4 pages.  
 Designboom, “sascha grewe: a-z stools”, <http://www.designboom.com/weblog/cat/8/view/10739/sascha-grewe-a-z-stools.html>, [retrieved from the Internet on Aug. 17, 2012], 7 pages.  
 Tambino, Tambino furnishing and accessories for kids, <http://www.tambino.com>, [retrieved from the Internet on Aug. 17, 2012], 3 pages.  
 Tabisso Design Furniture, <http://www.tabisso.com/home.html>, [retrieved from the Internet on Aug. 17, 2012], 1 page.

\* cited by examiner

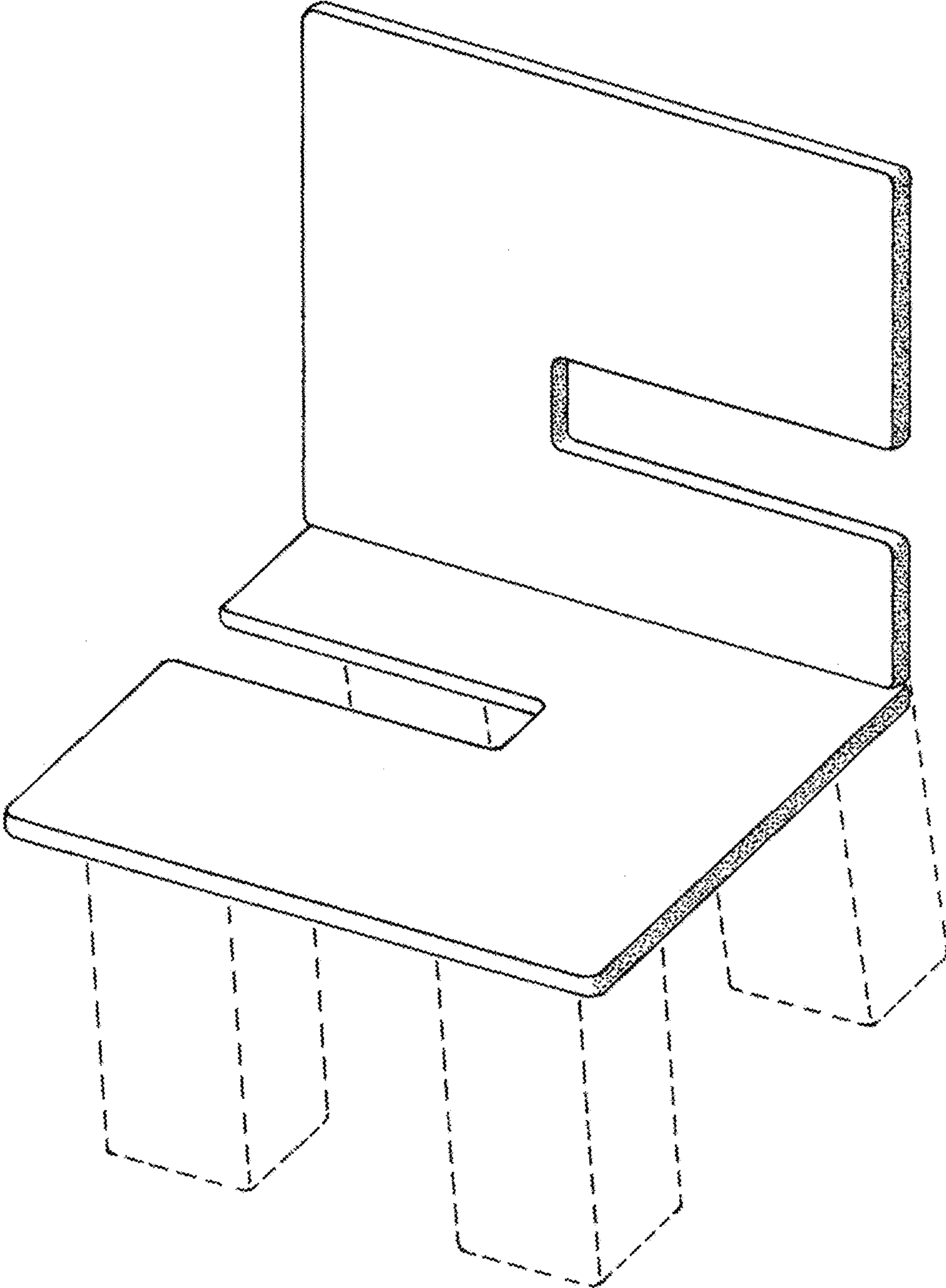


FIG. 1

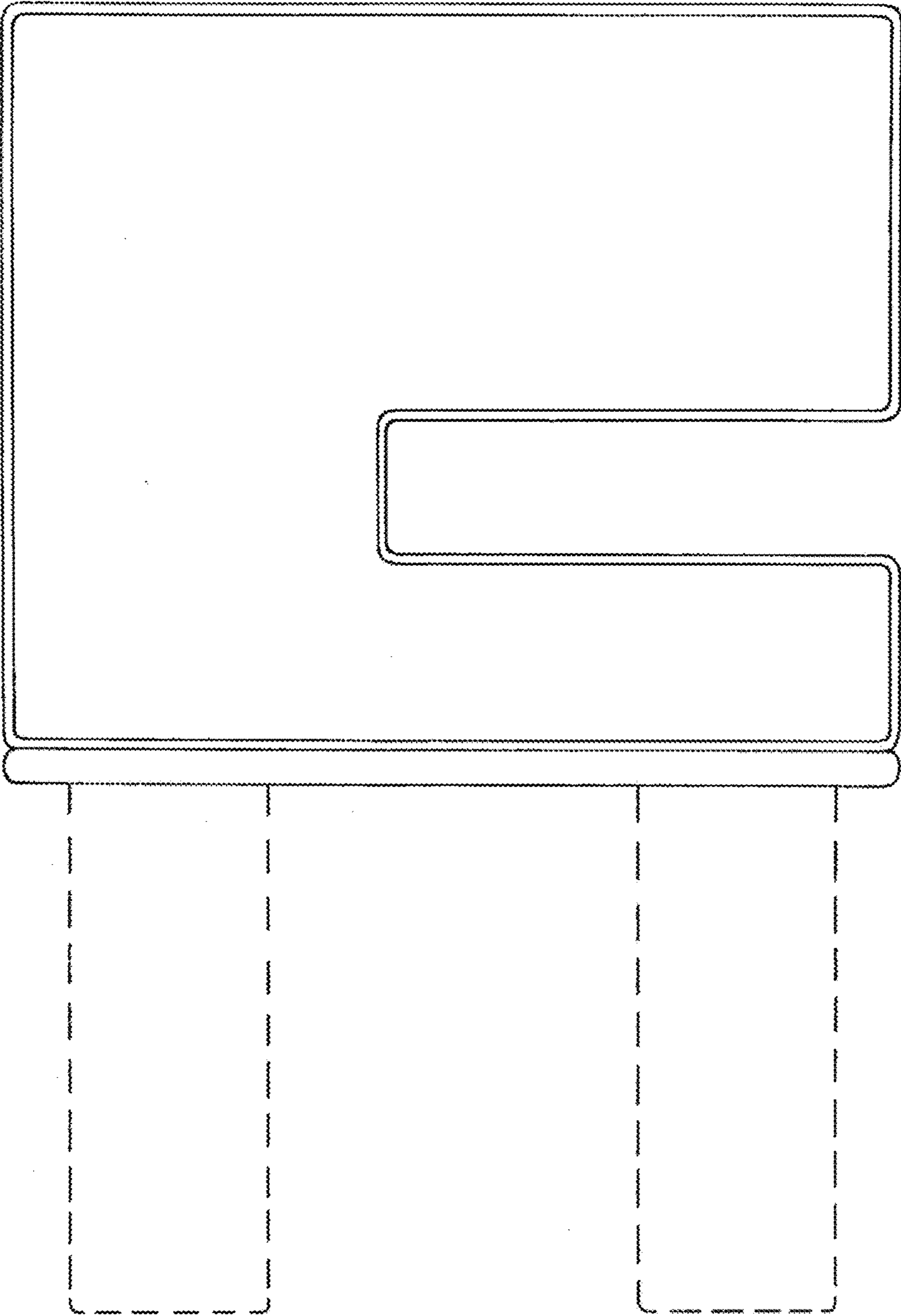
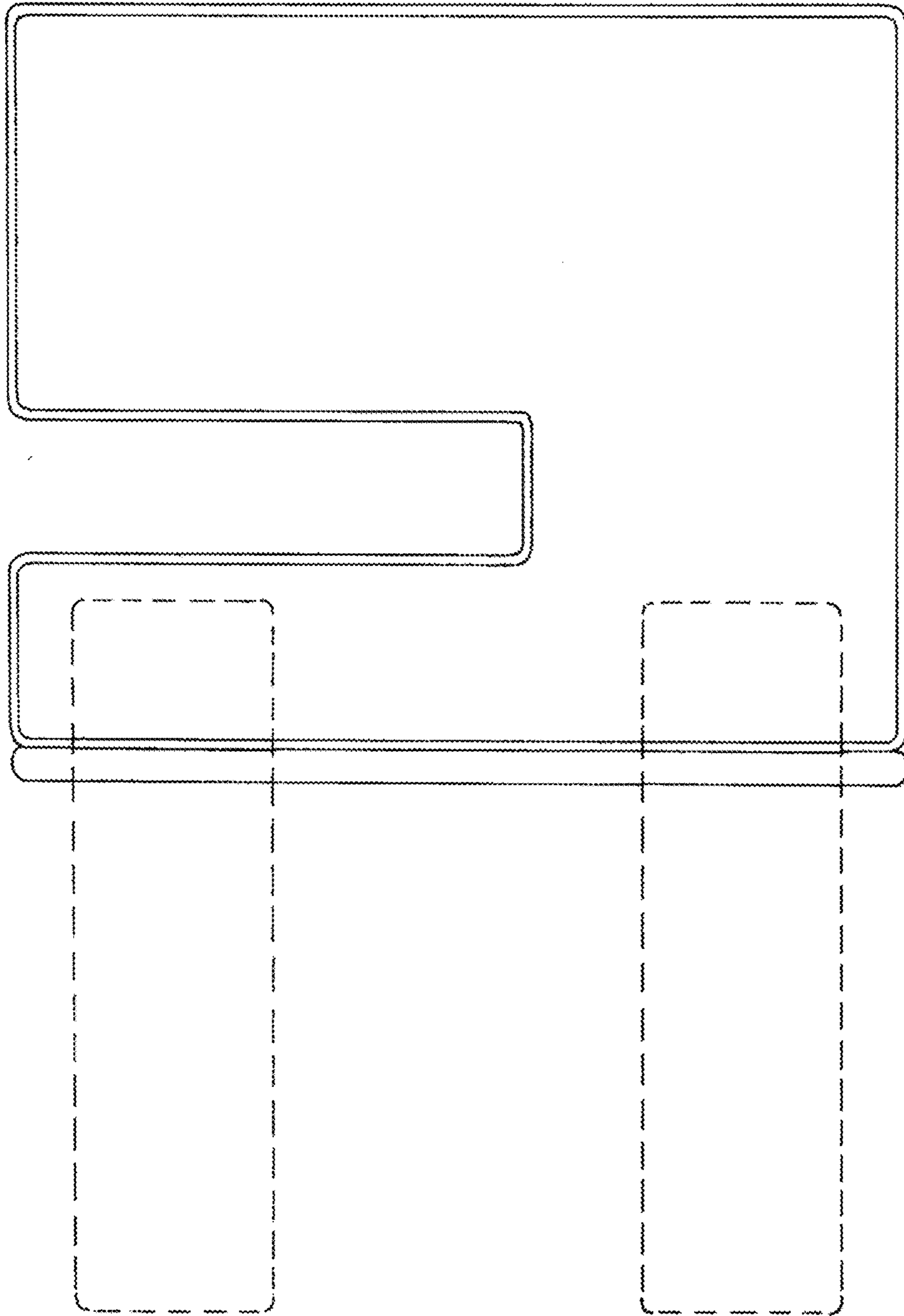


FIG. 2



**FIG. 3**

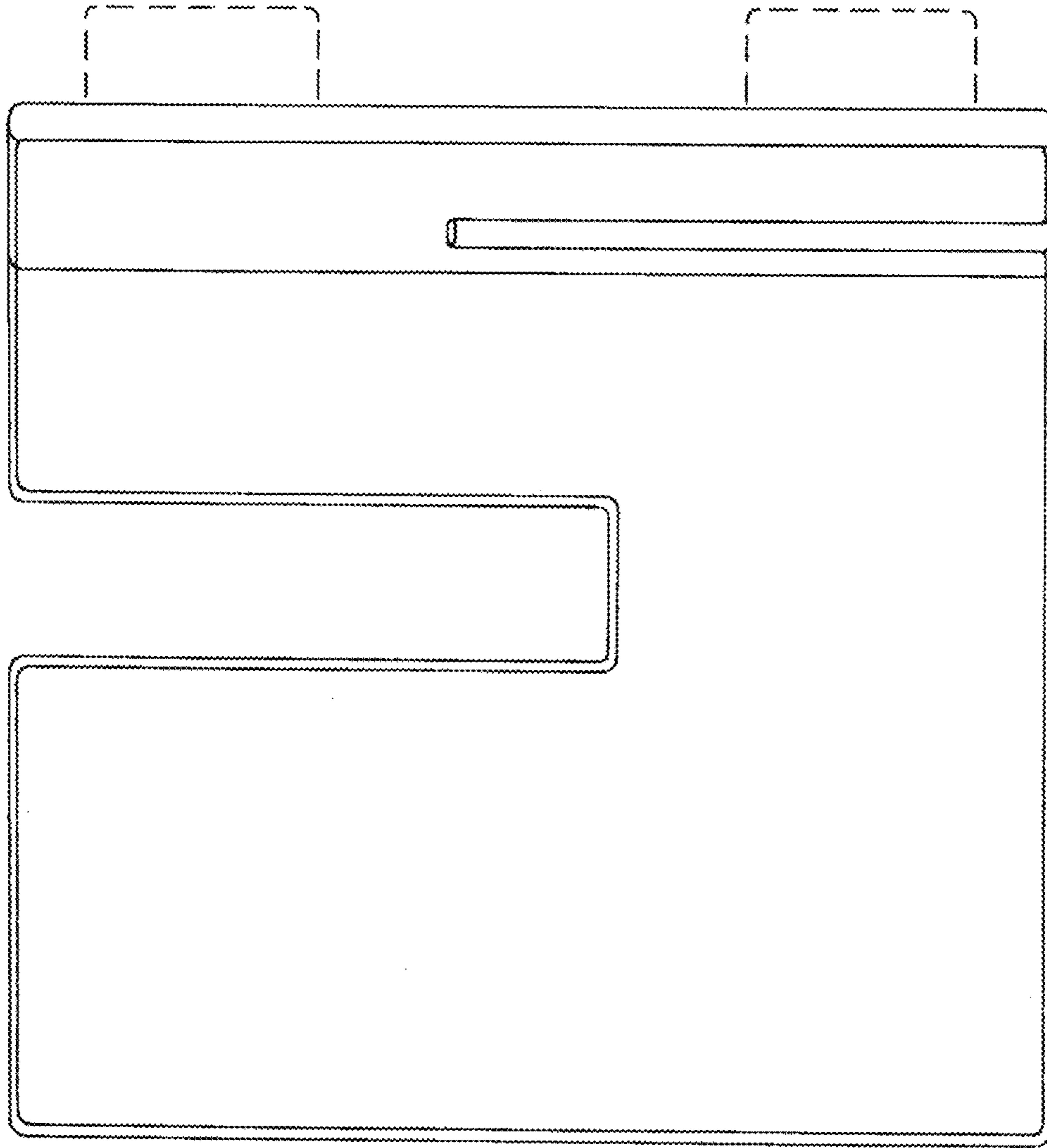


FIG. 4

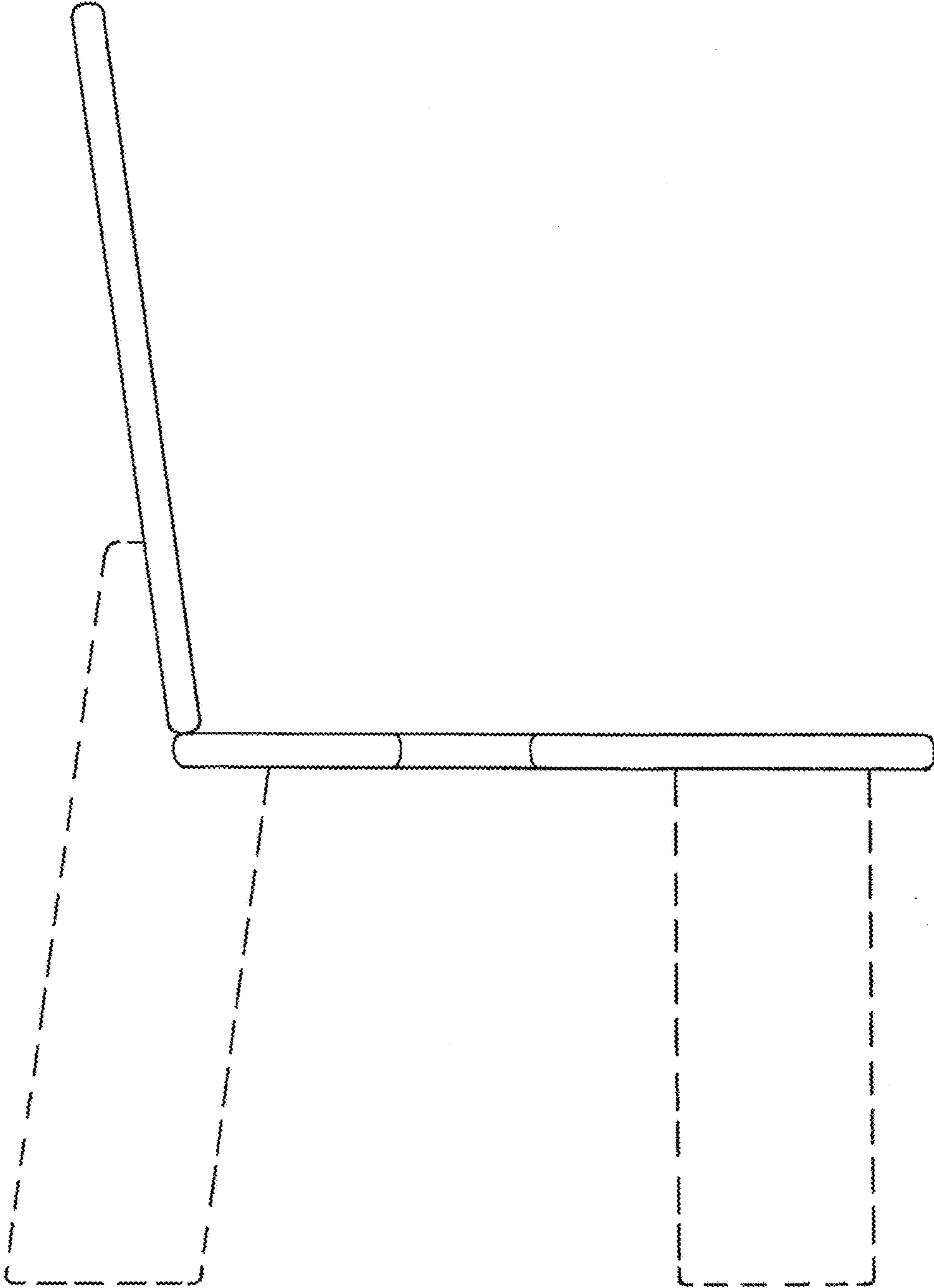


FIG. 5

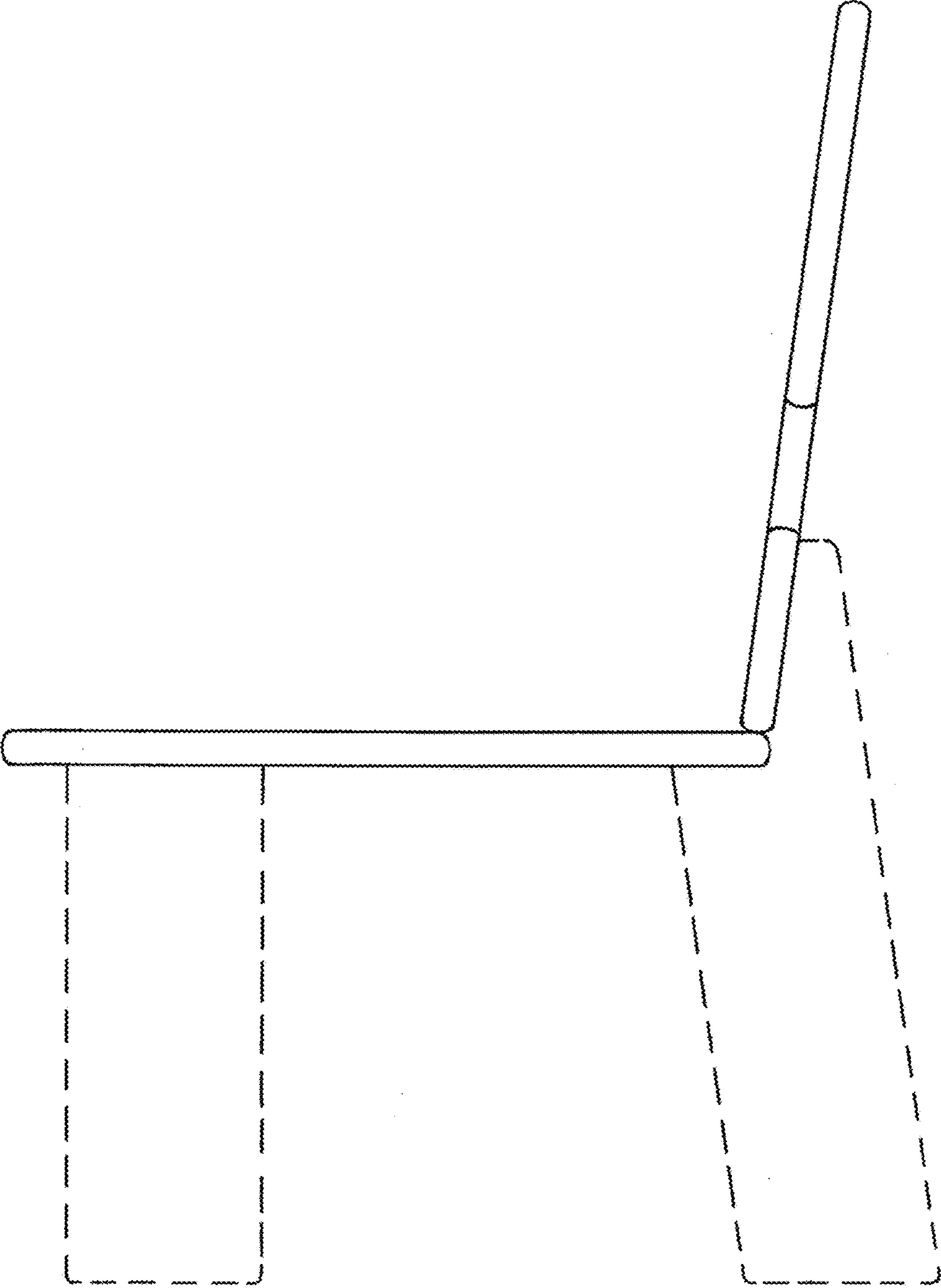


FIG. 6