



US00D826611S

(12) **United States Design Patent**  
**Fletcher**

(10) **Patent No.:** **US D826,611 S**  
(45) **Date of Patent:** **\*\* Aug. 28, 2018**

(54) **FURNITURE LEG ATTACHMENT**

(71) Applicant: **Virco Mfg. Corporation**, Torrance, CA (US)

(72) Inventor: **Scott Fletcher**, Redondo Beach, CA (US)

(73) Assignee: **VIRCO MFG. CORPORATION**, Torrance, CA (US)

(\*\*) Term: **15 Years**

(21) Appl. No.: **29/542,756**

(22) Filed: **Oct. 16, 2015**

(51) **LOC (11) Cl.** ..... **06-06**

(52) **U.S. Cl.**  
USPC ..... **D6/709.21**

(58) **Field of Classification Search**  
USPC ..... D6/691, 691.6, 702, 708, 708.16, 709, D6/709.2, 709.21  
CPC .... A47B 7/00; A47B 9/00; A47B 9/04; A47B 9/14; A47B 9/20; A47B 2009/043; A47B 2009/145; A47B 13/00; A47B 13/06; A47B 13/021; A47B 2013/028; A47B 91/02; A47B 2200/00; A47B 2200/002; A47B 2200/11; F16B 12/44; F16B 12/50; F16B 12/52

See application file for complete search history.

(56) **References Cited**

**U.S. PATENT DOCUMENTS**

D476,512 S *	7/2003	Glass	.....	D6/709
D480,239 S *	10/2003	Risdall	.....	D6/709.21
6,820,847 B2	11/2004	Camarota et al.		
D499,585 S *	12/2004	Williams	.....	D6/709.21
D719,773 S *	12/2014	Korte	.....	D6/709
2004/0129844 A1 *	7/2004	Doyle	.....	A47B 9/04 248/188.8
2006/0279143 A1 *	12/2006	Platz	.....	A47B 9/04 310/51
2015/0115774 A1 *	4/2015	Klinke	.....	A47B 9/04 310/338
2017/0108022 A1 *	4/2017	Gregory	.....	F16B 12/44

**OTHER PUBLICATIONS**

Gregory, John W., U.S. Appl. No. 14/918,206 titled "Bracket Combination for Attaching a Leg to an Item of Furniture" filed Oct. 20, 2015, 31 pages.

\* cited by examiner

*Primary Examiner* — Mary Ann Calabrese

(74) *Attorney, Agent, or Firm* — Knobbe, Martens, Olson & Bear, LLP

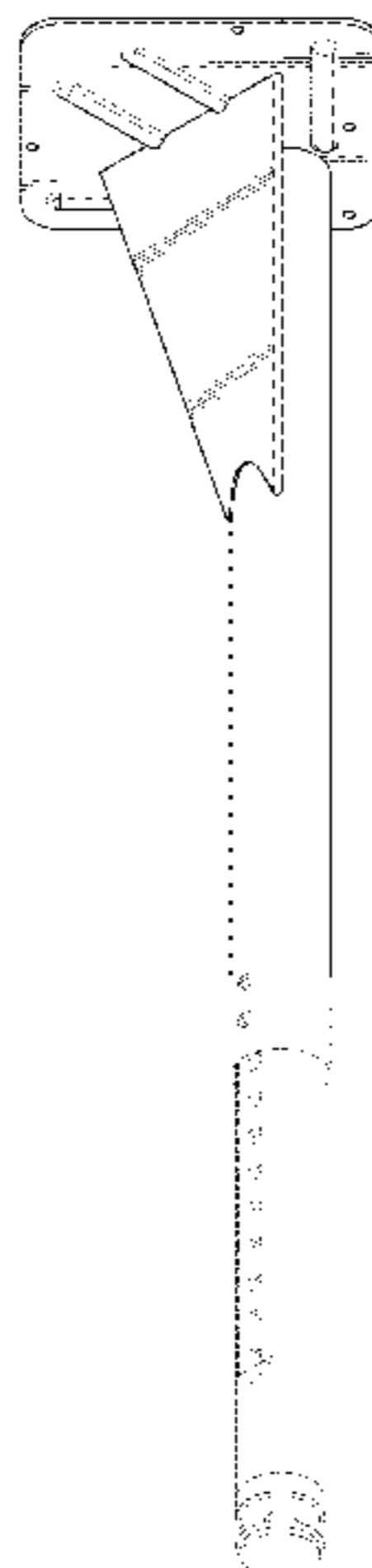
(57) **CLAIM**

The ornamental design for a furniture leg attachment, as shown and described.

**DESCRIPTION**

FIG. 1 is a perspective view showing a furniture leg attachment design;  
FIG. 2 is a side view of the furniture leg attachment illustrated in FIG. 1, the reverse side view of the furniture leg attachment illustrated in FIG. 1 being the mirror image of the view illustrated in FIG. 2;  
FIG. 3 is a front view of the furniture leg attachment illustrated in FIG. 1;  
FIG. 4 is a rear view of the furniture leg attachment illustrated in FIG. 1;  
FIG. 5 is a bottom view of the furniture leg attachment illustrated in FIG. 1;  
FIG. 6 is a top view of the furniture leg attachment illustrated in FIG. 1; and,  
FIG. 7 is a bottom perspective view of an item of furniture to which is attached the furniture leg attachment of FIG. 1. The broken lines showing portions of the furniture leg attachment form no part of the claimed design. The broken lines showing the understructure of the table and the additional furniture leg attachments in FIG. 7 illustrate environment and form no part of the claimed design.

**1 Claim, 4 Drawing Sheets**



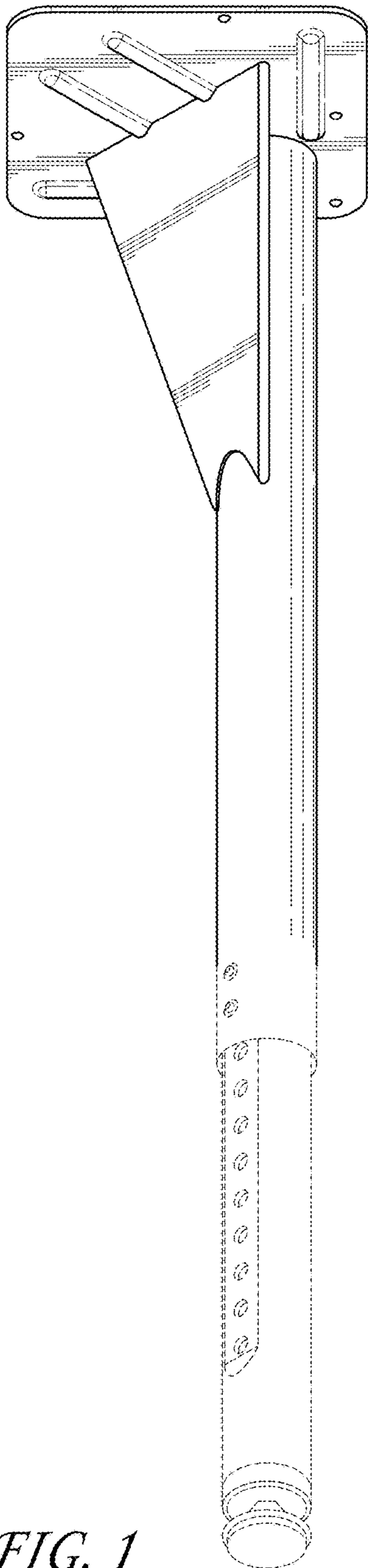


FIG. 1

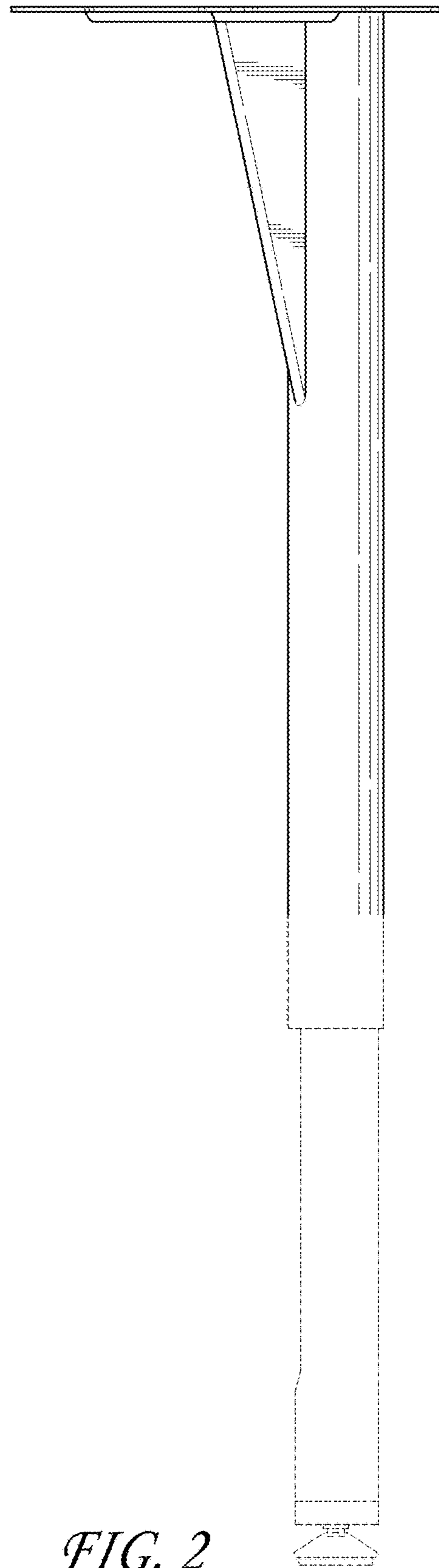
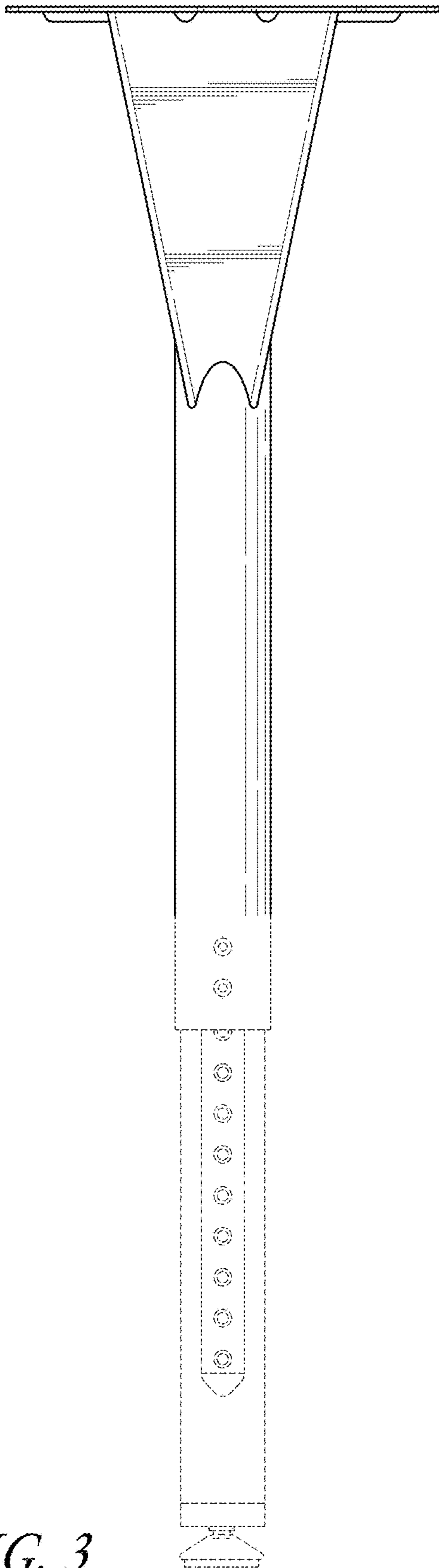
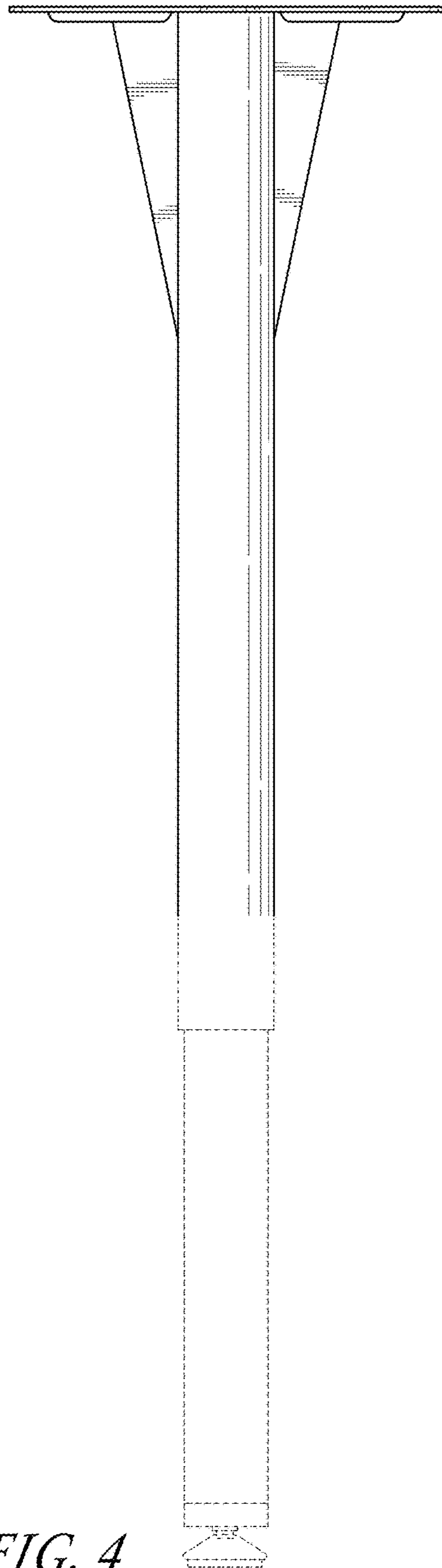


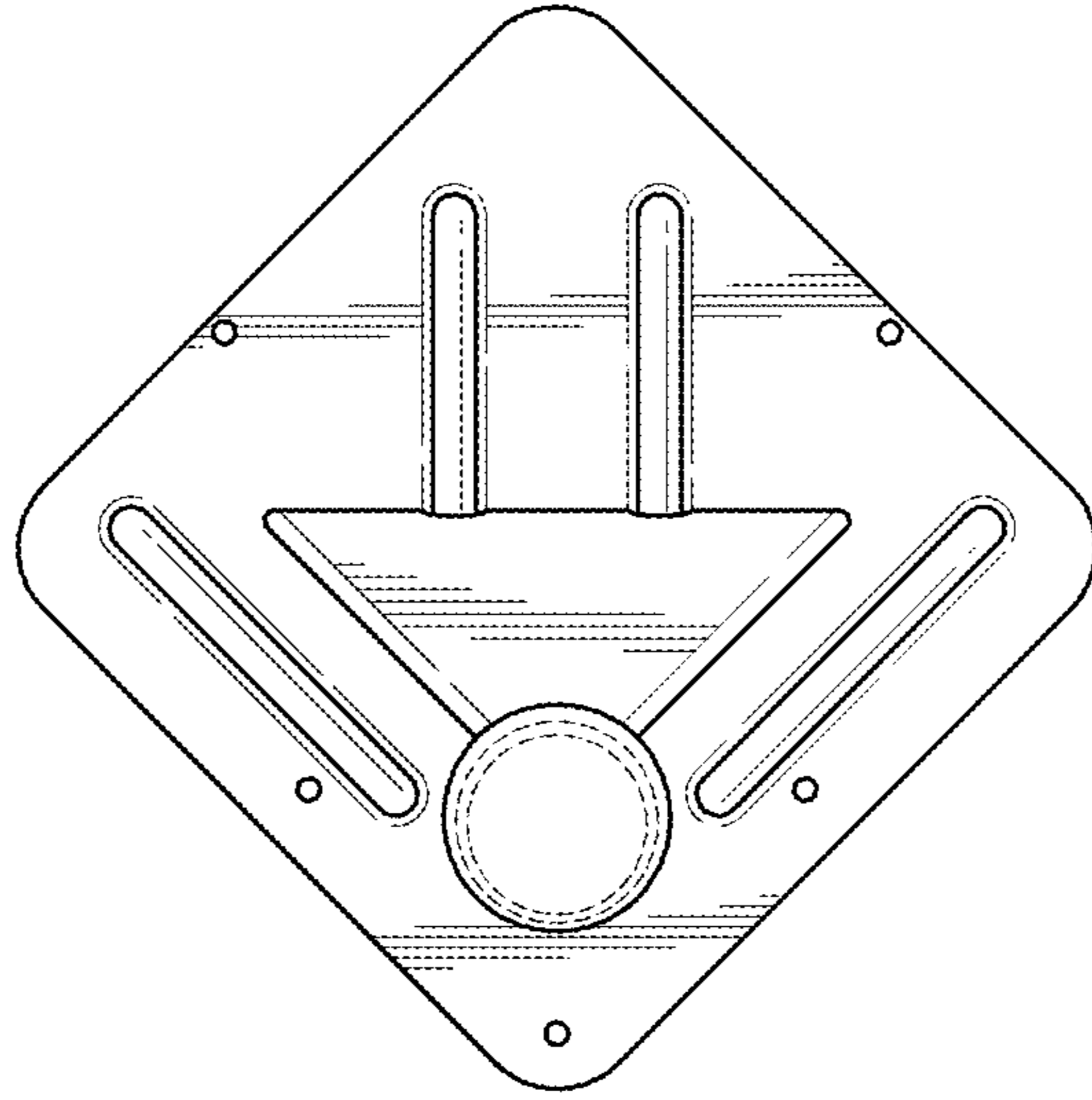
FIG. 2



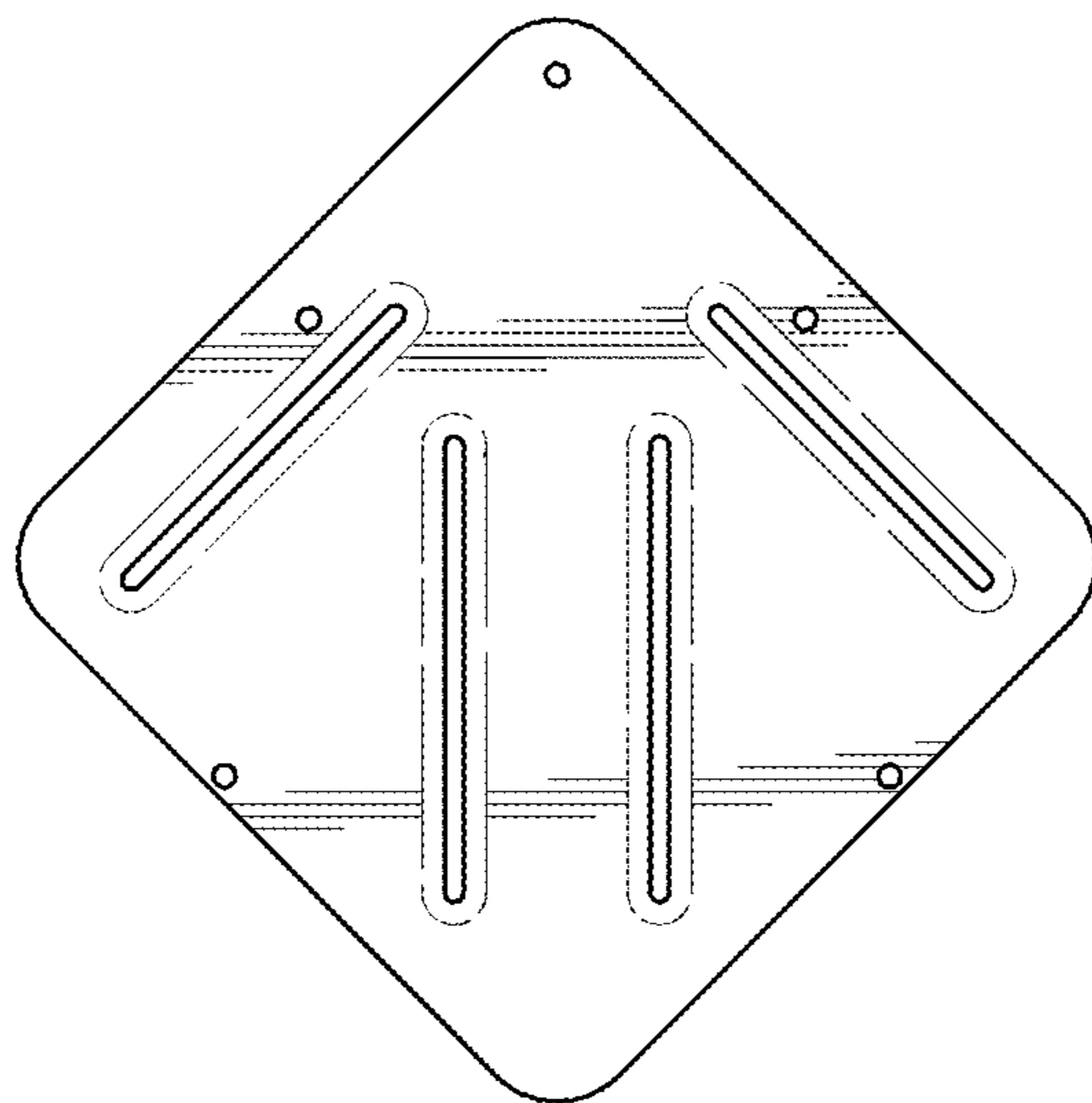
*FIG. 3*



*FIG. 4*



*FIG. 5*



*FIG. 6*

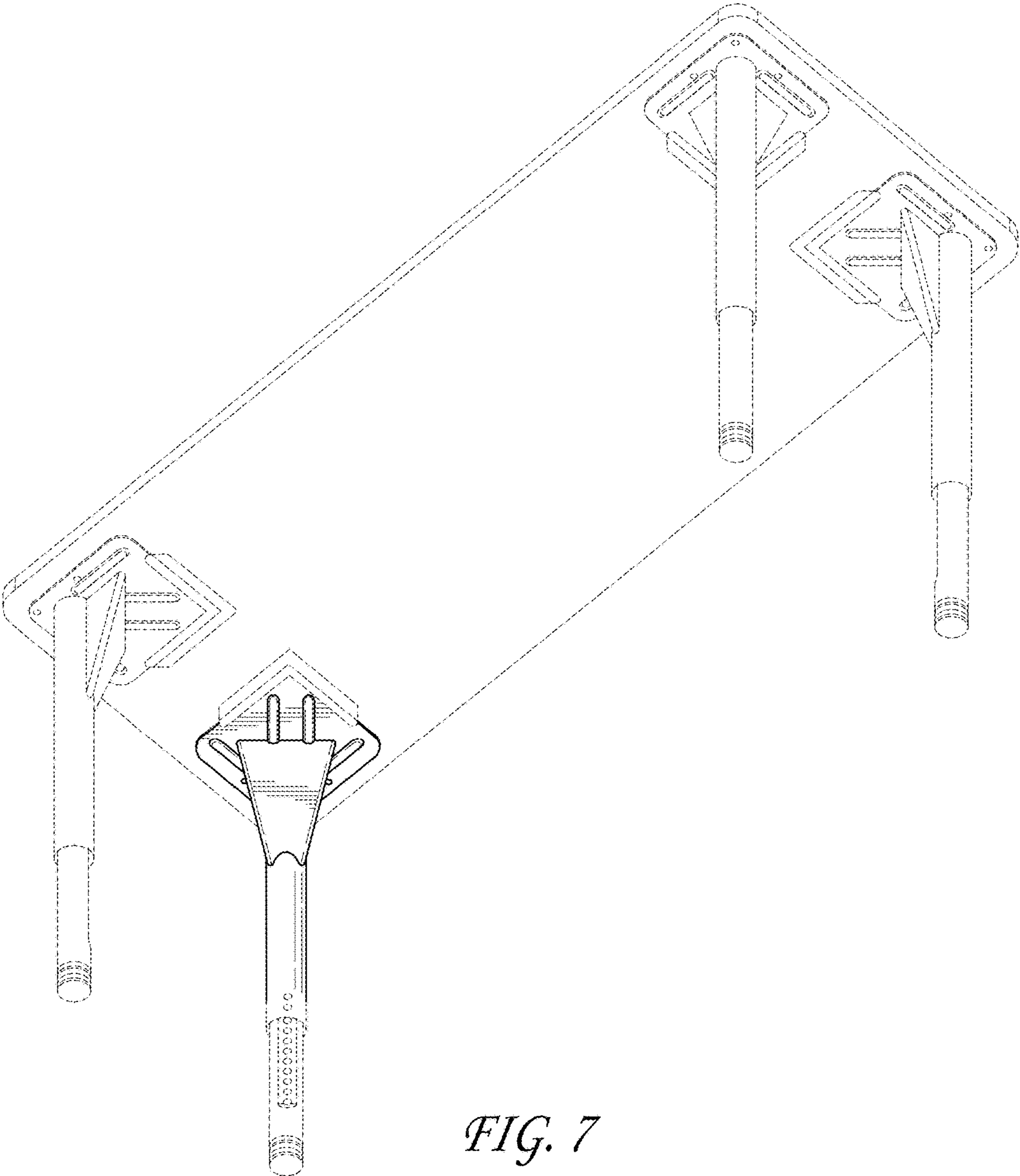


FIG. 7