



US00D826610S

(12) **United States Design Patent**
Yamamoto

(10) **Patent No.:** **US D826,610 S**

(45) **Date of Patent:** **** Aug. 28, 2018**

(54) **TABLE**

- (71) Applicant: **OKAMURA CORPORATION**,
Yokohama-shi, Kanagawa (JP)
- (72) Inventor: **Takayuki Yamamoto**, Yokohama (JP)
- (73) Assignee: **Okamura Corporation**, Yokohama-shi,
Kanagawa (JP)
- (**) Term: **14 Years**
- (21) Appl. No.: **29/521,877**
- (22) Filed: **Mar. 26, 2015**

(30) **Foreign Application Priority Data**

Oct. 14, 2014 (JP) 2014-022996

(51) **LOC (11) Cl.** **06-06**

(52) **U.S. Cl.**
USPC **D6/709.2**

(58) **Field of Classification Search**
 USPC D6/480, 481, 482, 483, 484, 485, 486,
 D6/487, 488, 489, 429, 430, 431, 495,
 D6/496, 497, 498, 499, 422, 423, 685,
 D6/686, 687, 688, 688.1, 688.15, 688.16,
 D6/688.24, 689-691, 691.4, 691.6, 691.7,
 D6/692, 692.2, 692.4, 692.5, 693, 693.1,
 D6/693.2, 694.1, 695, 695.2, 695.4,
 D6/695.5, 695.8, 696, 696.1, 696.3,
 D6/696.4, 696.7, 697, 697.1, 697.2, 698,
 D6/708, 708.16, 708.17, 708.23, 709.2,
 D6/709.22; 108/153.1, 156, 157.1, 50.02,
 108/161; 248/188, 188.1, 188.8
 CPC A47B 3/02; A47B 3/00; A47B 3/0818;
 A47B 3/087; A47B 2200/001; A47B
 2200/11; A47B 13/02; A47B 13/04; A47B
 13/06; A47B 7/00; A47B 91/005; A47B
 17/00

See application file for complete search history.

(56) **References Cited**

U.S. PATENT DOCUMENTS

- 720,842 A * 2/1903 Peace A47B 1/04
108/77
- 1,094,900 A * 4/1914 Hoit F16B 7/0466
108/156
- 1,269,193 A * 6/1918 Kelly A47B 13/021
108/156
- D54,640 S * 3/1920 Lothrop D6/709
- 1,359,479 A * 11/1920 Angle A47B 13/00
108/143
- 2,006,502 A * 7/1935 Hallowell A47B 91/06
248/188.8

(Continued)

Primary Examiner — Kevin K Rudzinski

Assistant Examiner — Richard Kearney

(74) *Attorney, Agent, or Firm* — Sughrue Mion, PLLC

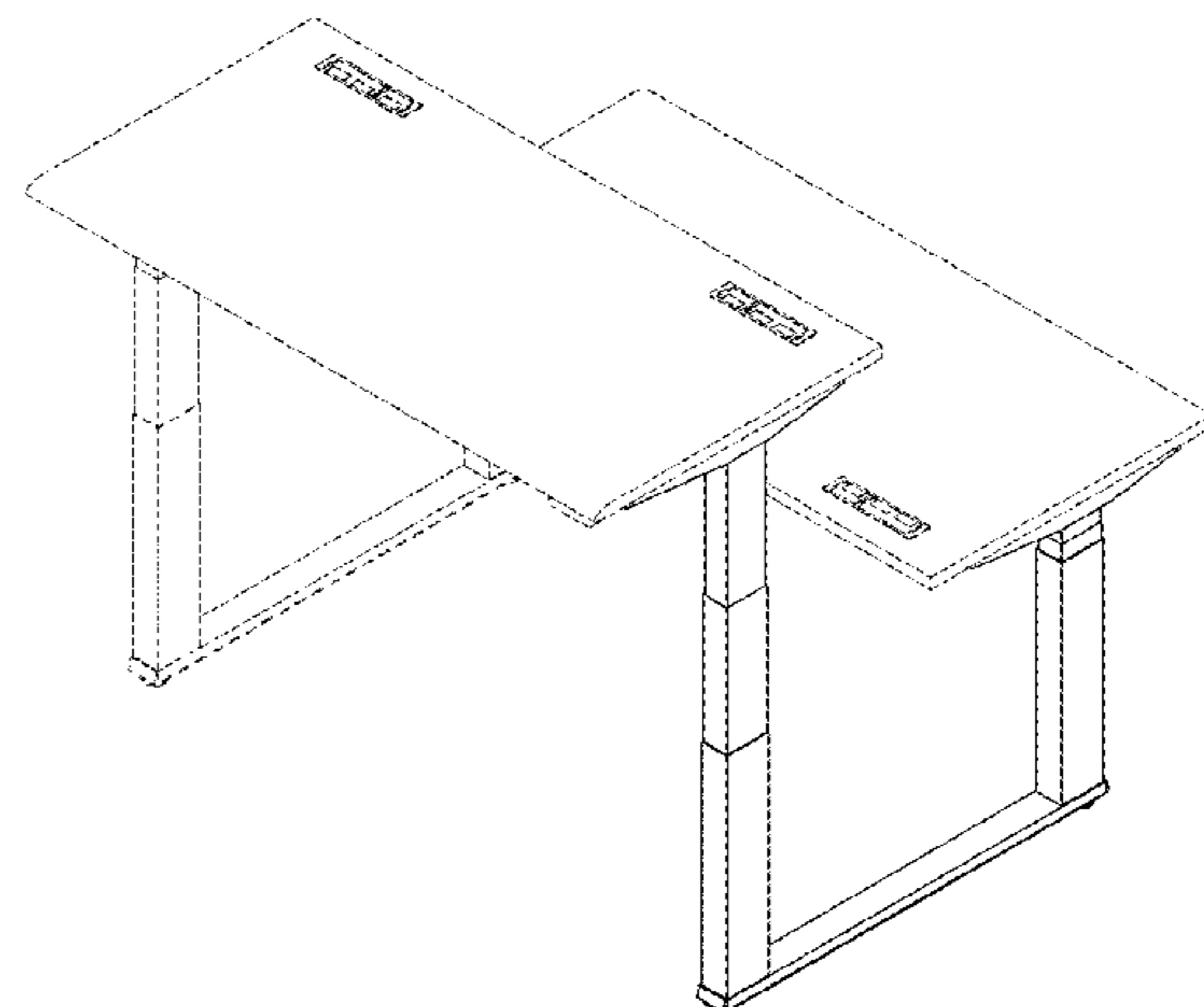
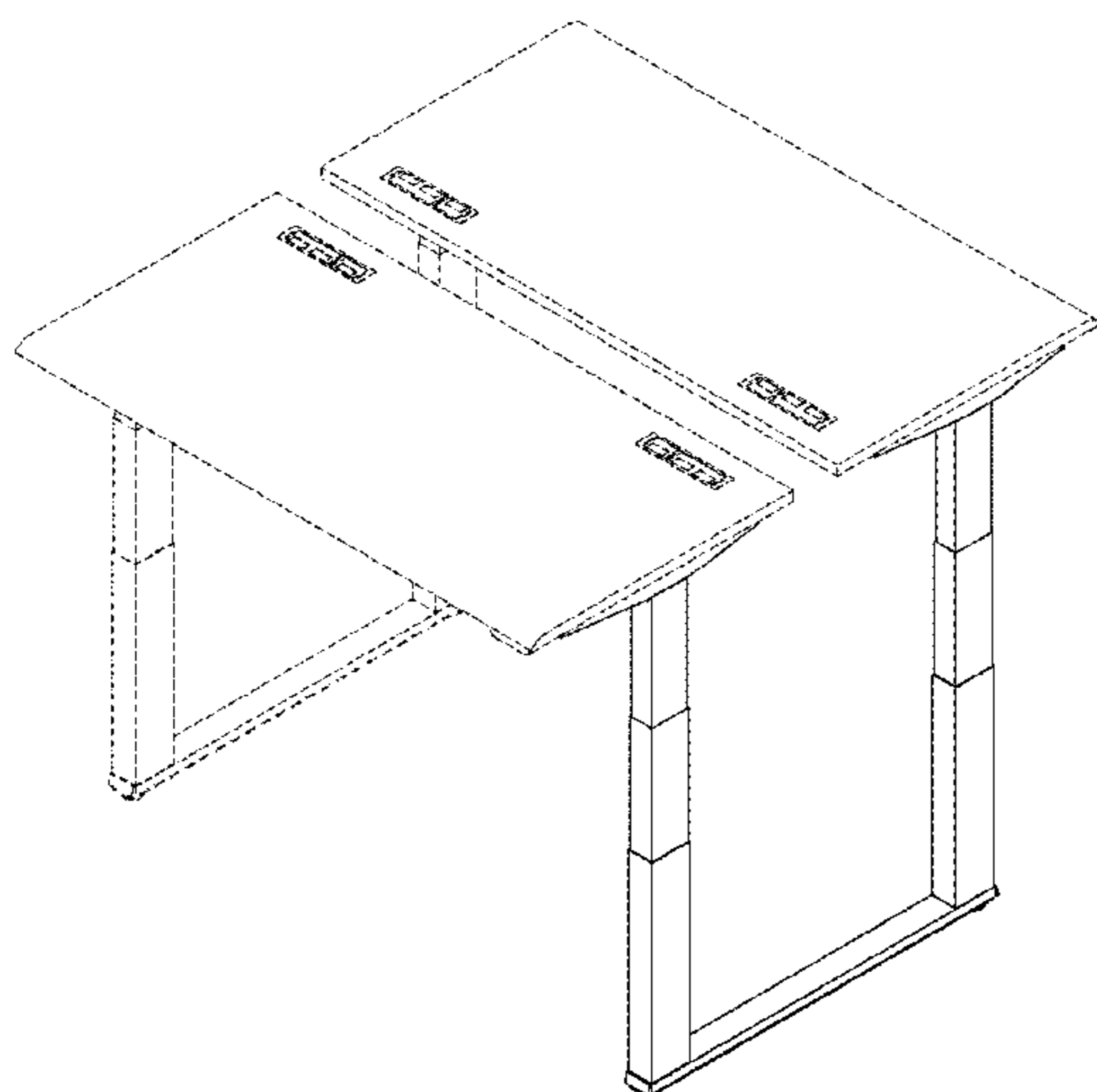
(57) **CLAIM**

The ornamental design for a table, as shown and described.

DESCRIPTION

FIG. 1 is a perspective view of a table;
 FIG. 2 is a front elevation view thereof. A rear elevation
 view is a mirror image of the front elevation view;
 FIG. 3 is a right side elevation view thereof;
 FIG. 4 is a bottom plan view thereof;
 FIG. 5 is a cross-sectional view taken along the line 5-5 in
 FIG. 2;
 FIG. 6 is a cross-sectional view taken along the line 6-6 in
 FIG. 2;
 FIG. 7 is a cross-sectional view taken along the line 7-7 in
 FIG. 3; and,
 FIG. 8 is a perspective view thereof showing a table in an
 alternative position of use with one desktop lowered.
 The broken lines are used to show portions of the table that
 are not being claimed, and thus form no part of the claimed
 design.

1 Claim, 8 Drawing Sheets



US D826,610 S

Page 2

(56)

References Cited

U.S. PATENT DOCUMENTS

2,157,955 A * 5/1939 Hallowell D05B 75/02
248/188.1
2,321,204 A * 6/1943 Hillenbrand A47B 23/04
248/188.8
2,516,933 A * 8/1950 Wallance F16B 12/50
108/156
2,546,492 A * 3/1951 Booth A47B 91/04
16/42 T
2,556,943 A * 6/1951 Reisman A47B 1/00
108/157.1
2,615,770 A * 10/1952 Curtis A47B 3/06
108/155
D171,017 S * 12/1953 Wagner 108/161
2,683,639 A * 7/1954 Brenny A47B 3/0912
108/132
D199,571 S * 11/1964 Ritts 108/38
3,289,616 A * 12/1966 Donihi B25H 1/02
108/161
3,758,182 A * 9/1973 Barecki A47B 41/00
248/188.1
4,287,837 A * 9/1981 Bayles A47B 3/06
108/154
5,377,601 A * 1/1995 Cashen A47B 3/06
108/158
5,794,545 A * 8/1998 McDaniel A47B 87/002
108/64
5,934,203 A * 8/1999 Glass A47B 13/003
108/156
6,024,024 A * 2/2000 Favaretto A47B 17/00
108/157.1

6,029,587 A * 2/2000 Rozier, Jr. A47B 9/14
108/147.21
D510,492 S * 10/2005 Sakurai D6/709
D553,883 S * 10/2007 DeJule D6/709
D567,551 S * 4/2008 Verbeek D6/703
7,469,642 B1 * 12/2008 LeDoux A47B 9/00
108/12
7,908,981 B2 * 3/2011 Agee A47B 9/04
108/147
D649,810 S * 12/2011 Martin D6/702
D651,430 S * 1/2012 Martin D6/708
8,104,410 B2 * 1/2012 Lanfear A47B 9/20
108/13
D659,451 S * 5/2012 Hattenbach D6/707.23
D684,414 S * 6/2013 Tsuchiyama D6/709
8,667,910 B2 * 3/2014 Wei Siao A47B 13/02
108/155
D719,386 S * 12/2014 Mueller D6/709
D723,848 S * 3/2015 Mueller D6/709
D795,619 S * 8/2017 Labrosse D6/709
D812,947 S * 3/2018 Tseng D6/708
D815,477 S * 4/2018 Molteni D6/709
D815,867 S * 4/2018 Herring D6/709
2004/0083934 A1 * 5/2004 Lin A47B 13/021
108/155
2005/0072340 A1 * 4/2005 Shabram, Jr. A47B 3/0912
108/35
2009/0000522 A1 * 1/2009 Collins B25H 1/04
108/12
2010/0242808 A1 * 9/2010 Negoro A47B 13/003
108/42
2012/0237142 A1 * 9/2012 Derkoski A47B 3/06
383/6

* cited by examiner

FIG. 1

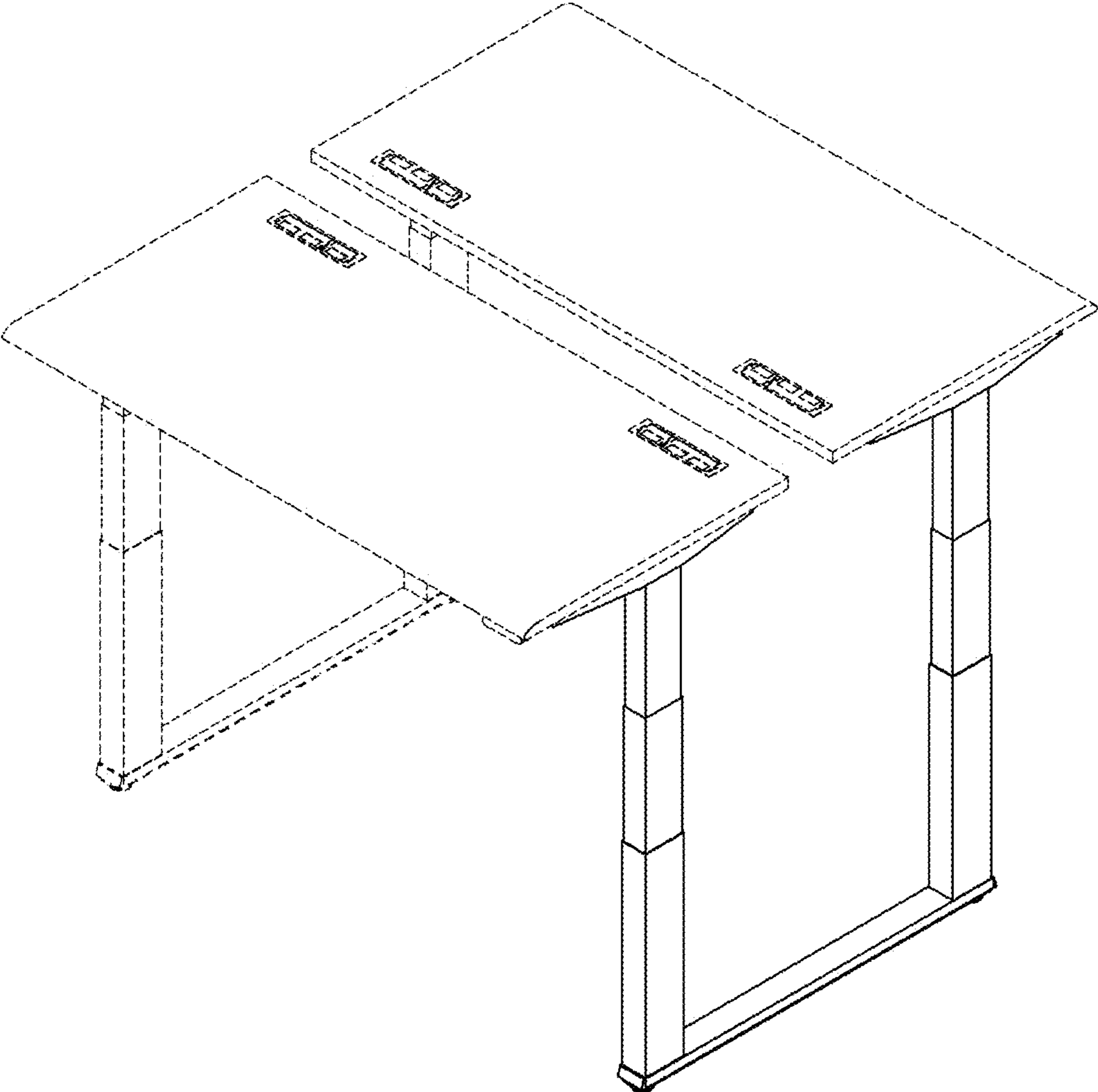


FIG. 2

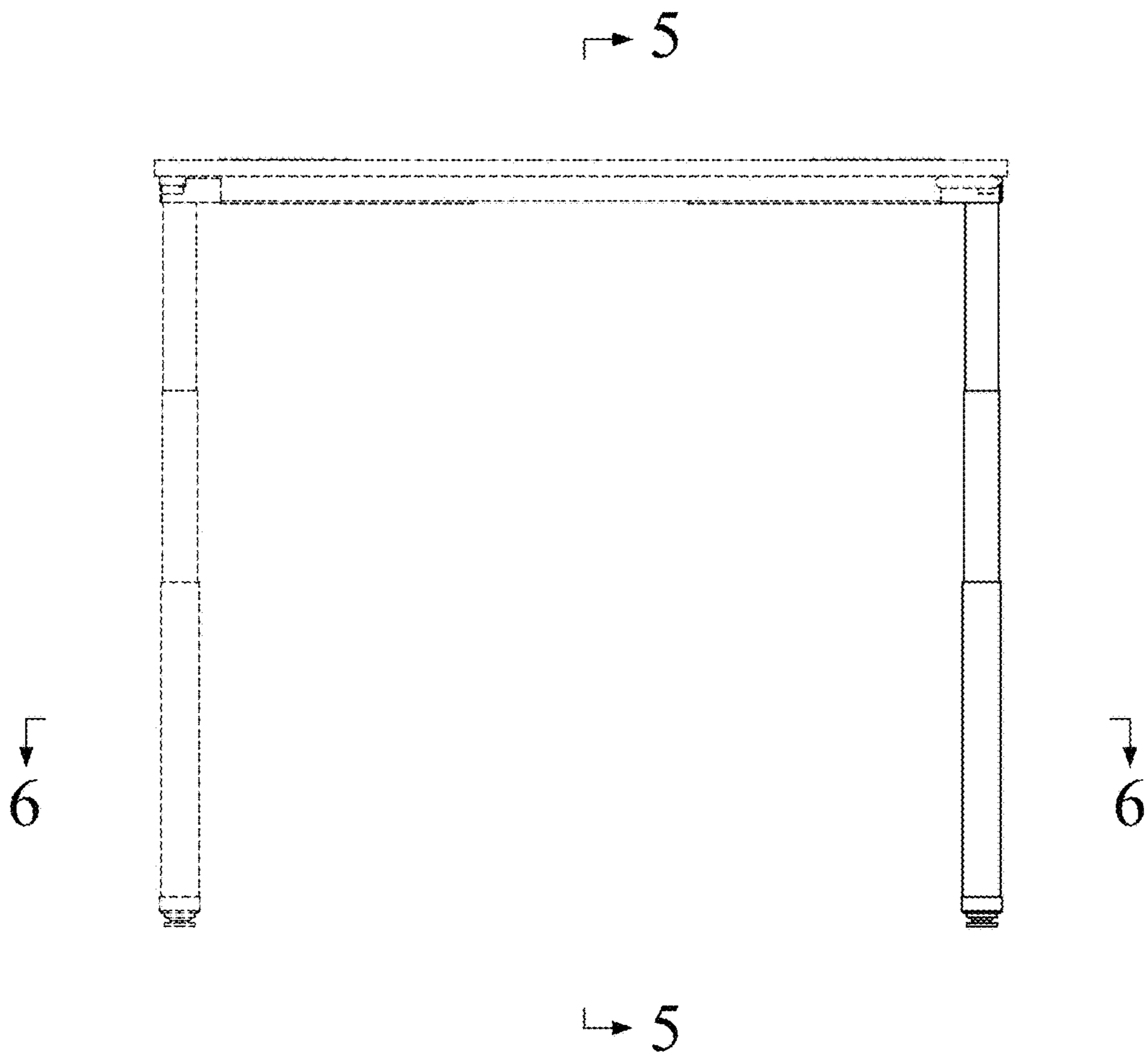


FIG. 3

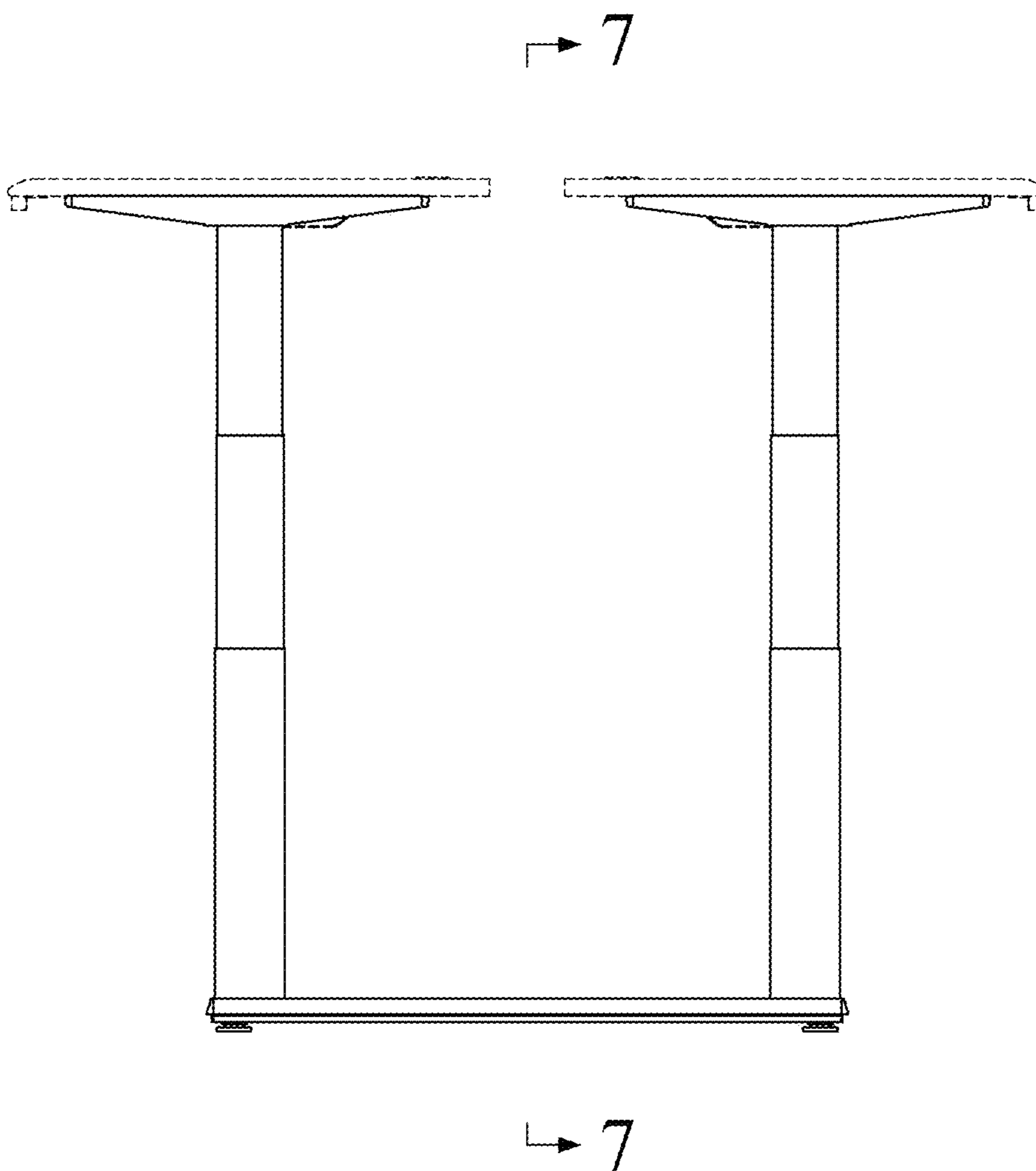


FIG. 4

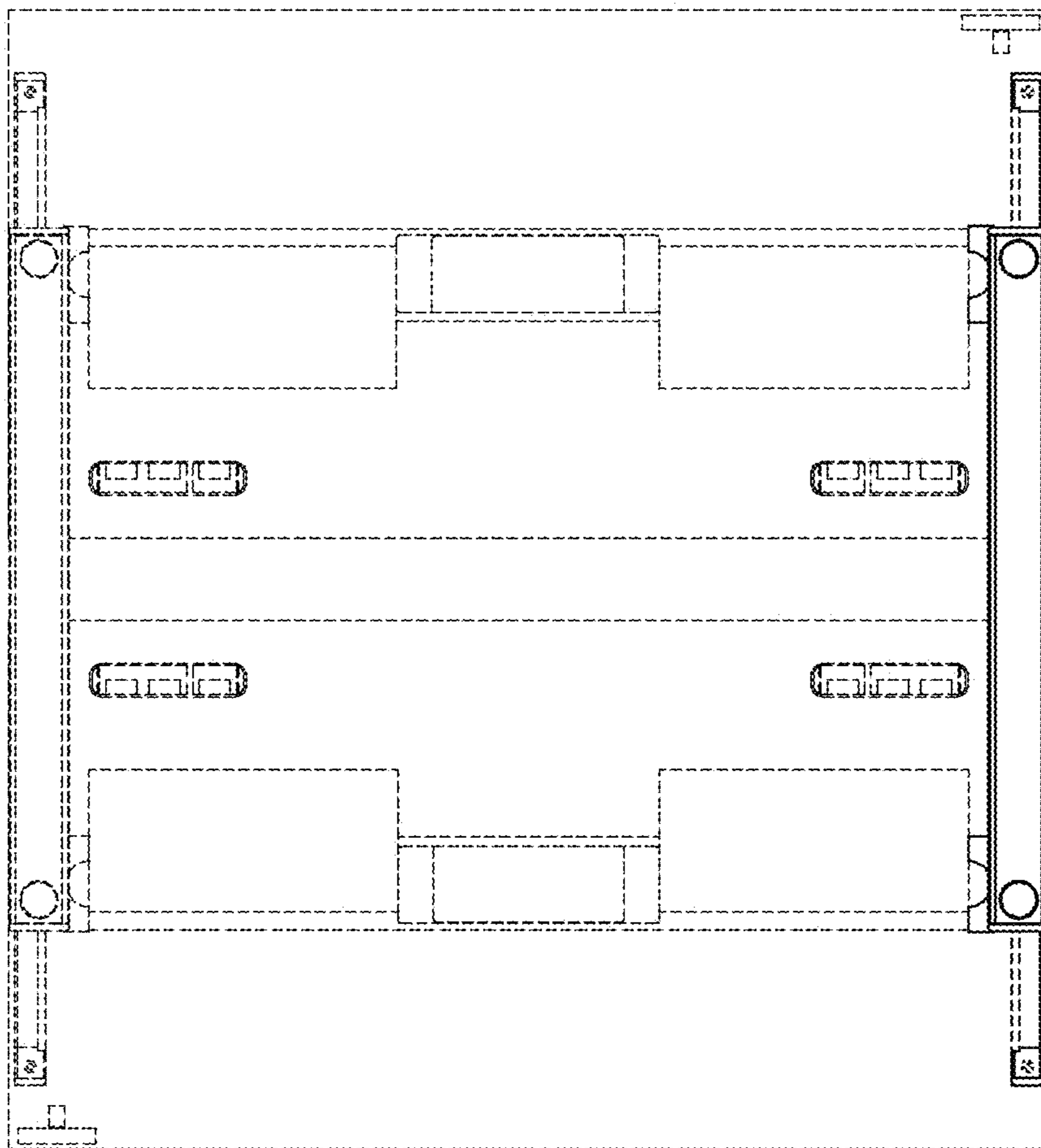


FIG. 5

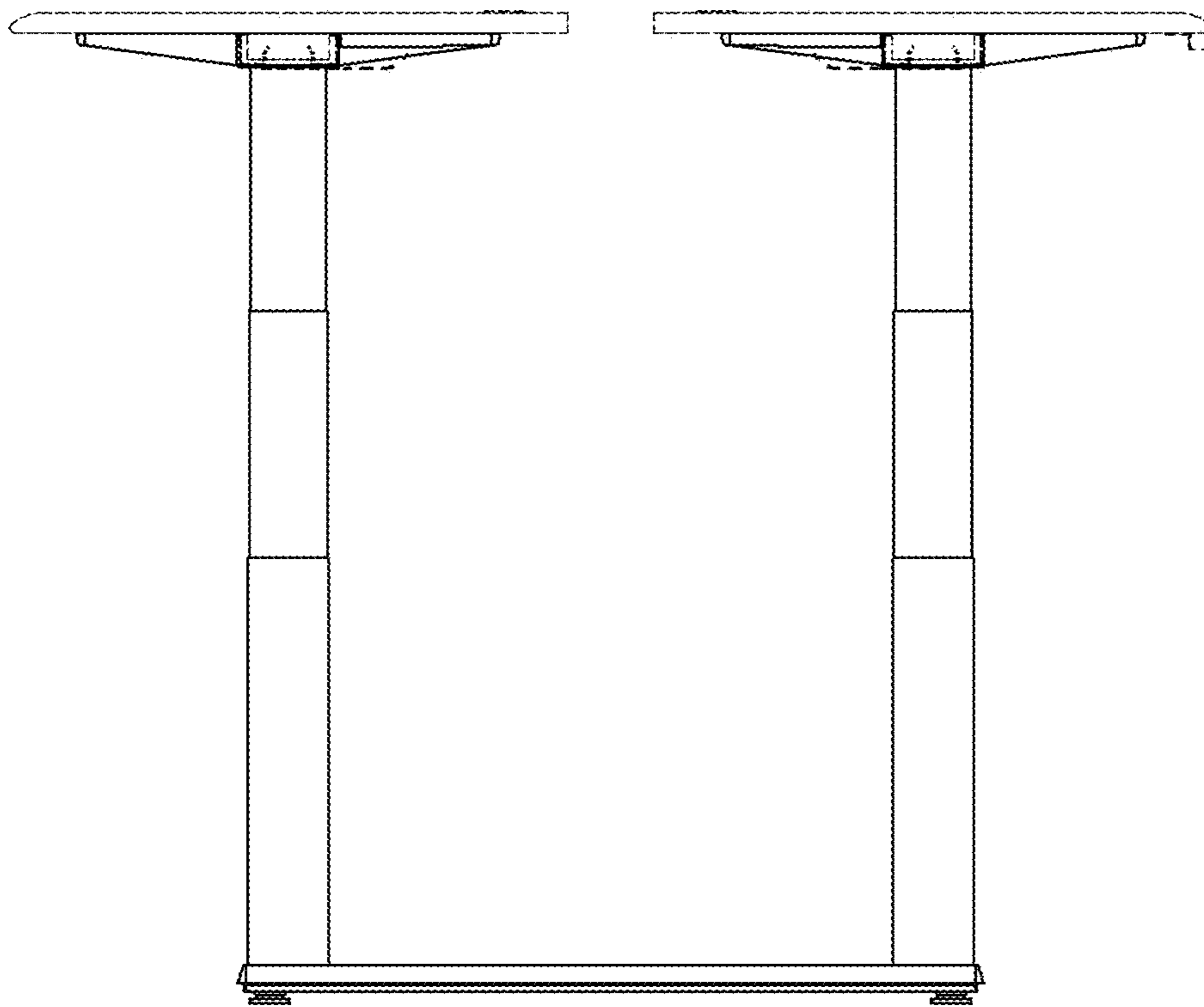


FIG. 6

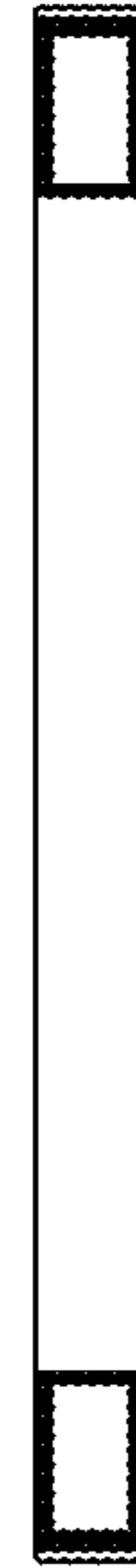


FIG. 7

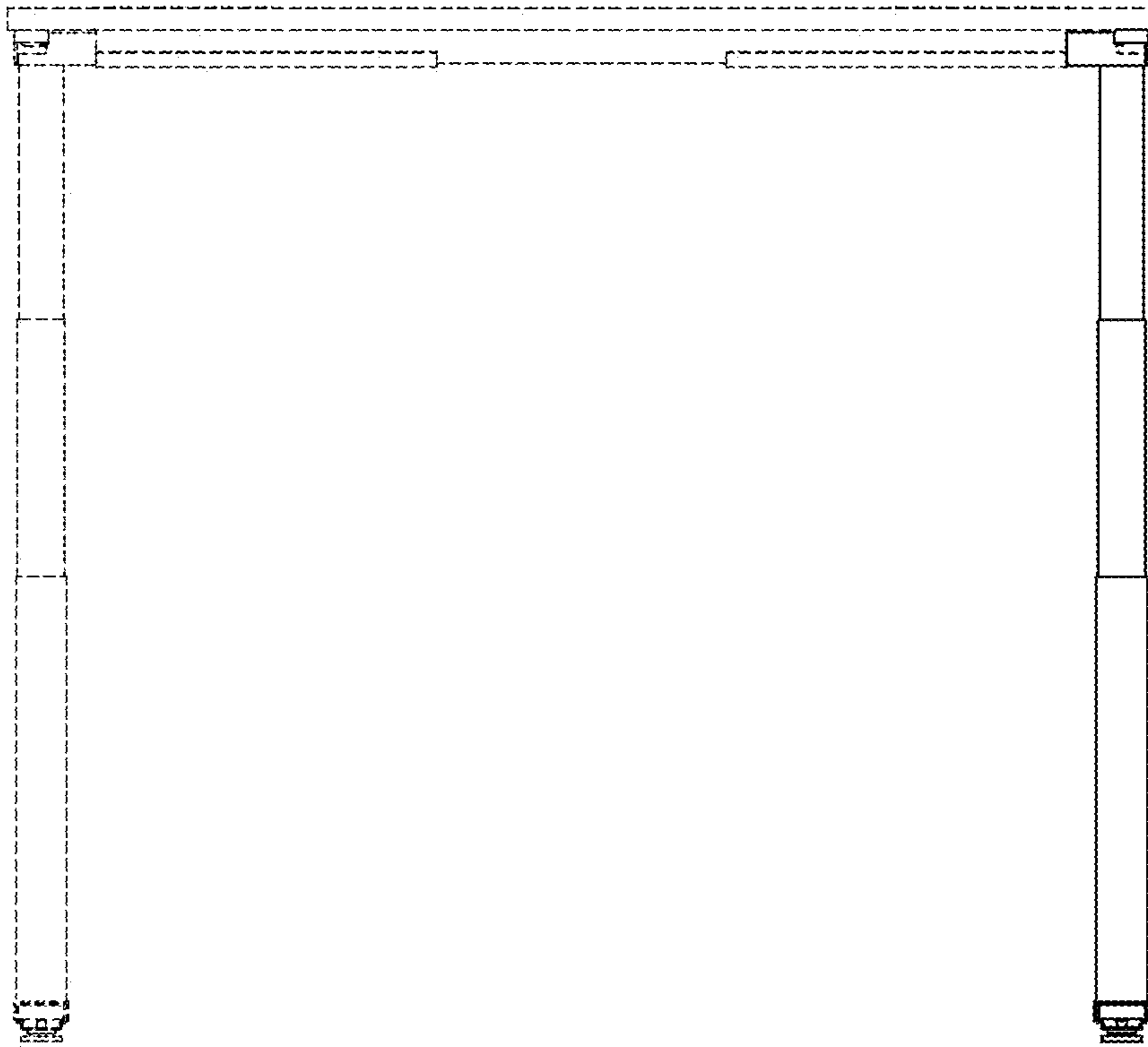


FIG. 8

