

US00D826608S

(12) **United States Design Patent** (10) **Patent No.:** **US D826,608 S**
Pedersen et al. (45) **Date of Patent:** **** Aug. 28, 2018**

(54) **TABLE BASE**
(71) Applicant: **Target Brands, Inc.**, Minneapolis, MN (US)

D248,703 S 8/1978 Morgan, Jr.
D278,577 S * 4/1985 Gwathmey D6/691.8
D293,862 S * 1/1988 Hubert D6/691.1
(Continued)

(72) Inventors: **Sara L. Pedersen**, Minneapolis, MN (US); **Chad M. Bogdan**, St. Paul, MN (US); **Zachary S. Bloch**, Minneapolis, MN (US); **Kirk E. Morris**, Minneapolis, MN (US); **Katherine R. Wittenberg**, St. Paul, MN (US); **George K. Smithwick**, Blaine, MN (US)

OTHER PUBLICATIONS

Target, "Nokomis 5 Piece Sling Patio Round Dining Furniture Set," http://www.target.com/p/threshold-nokomis-5-piece-sling-patio-round-dining-furniture-set/-/A-14200297#prodSlot=medium_1_1, at least as early as Jul. 2013, 1 page.

(Continued)

(73) Assignee: **Target Brands, Inc.**, Minneapolis, MN (US)

Primary Examiner — Mary Ann Calabrese

(74) *Attorney, Agent, or Firm* — Leanne Taveggia Farrell; Westman, Champlin & Koehler, P.A.

(**) Term: **15 Years**

(21) Appl. No.: **29/557,916**

(57) **CLAIM**

(22) Filed: **Mar. 14, 2016**

The ornamental design for a table base, as shown and described.

Related U.S. Application Data

(62) Division of application No. 29/489,484, filed on Apr. 30, 2014, now Pat. No. Des. 754,996.

DESCRIPTION

(51) **LOC (11) Cl.** **06-03**

(52) **U.S. Cl.**
USPC **D6/708.23**; D6/708.16

(58) **Field of Classification Search**
USPC D6/688.15, 691, 691.1-691.8, 692, 702, D6/708, 708.16, 709.23
CPC .. A47B 1/04; A47B 7/00; A47B 13/00; A47B 13/02; A47B 2200/00; A47B 2200/002; A47B 2200/11; A47B 2013/026; A47B 2013/027; A47B 2013/028

FIG. 1 is a first perspective view of a table base with environment showing our new design;
FIG. 2 is a second perspective view thereof with environment removed;
FIG. 3 is a right side view thereof, the opposing left side view being identical;
FIG. 4 is a front view thereof, the rear view being identical;
FIG. 5 is a top view thereof; and,
FIG. 6 is a bottom view thereof.

See application file for complete search history.

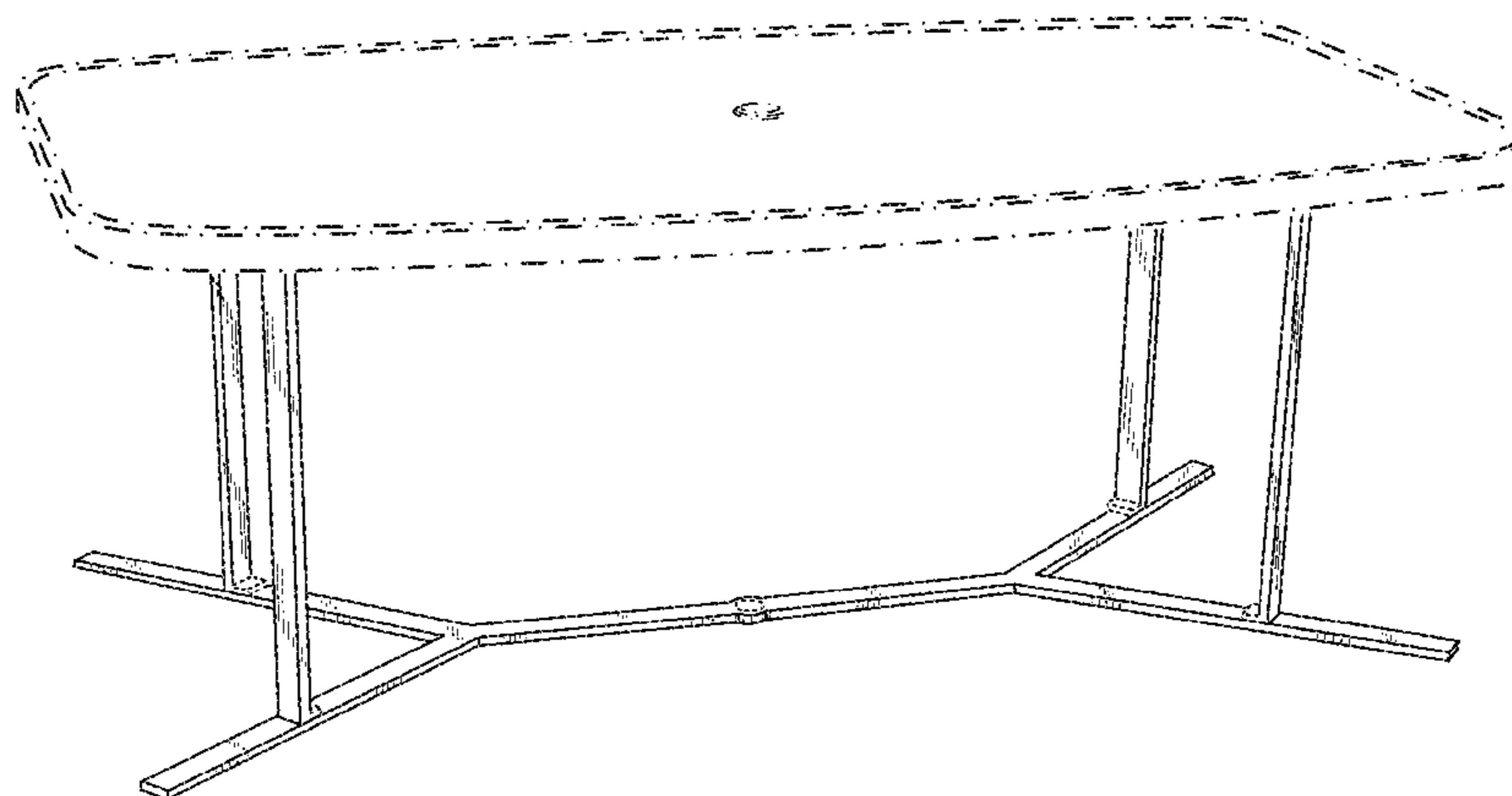
The uniform broken lines shown in the drawings are included for purposes of illustrating portions of the table base and form no part of the claimed design; whereas, the non-uniform broken lines shown in the drawings are included for purposes of illustrating environment and form no part of the claimed design.

(56) **References Cited**

U.S. PATENT DOCUMENTS

D214,672 S 7/1969 Ricca
D228,106 S * 8/1973 Klotz et al. D6/691.6

1 Claim, 6 Drawing Sheets



(56)

References Cited

U.S. PATENT DOCUMENTS

D350,446 S * 9/1994 Sauvage A47B 1/04
D6/692
D355,318 S 2/1995 Gutgsell
D402,487 S 12/1998 Muller
D408,177 S 4/1999 Stout
D475,869 S * 6/2003 Jackson D6/691.1
6,629,504 B2 * 10/2003 Stem A47B 1/04
108/13
7,299,753 B2 11/2007 Strong
D570,134 S 6/2008 Swanson
D662,335 S * 6/2012 Schultz D6/691.8
D686,856 S * 7/2013 Krusin D6/691.8
D696,542 S * 12/2013 Stromborg D6/708
D702,468 S 4/2014 Edersen et al.
D757,470 S * 5/2016 Pedersen D6/686
D783,330 S * 4/2017 Hiyoshi D6/708
D784,742 S * 4/2017 Grossinger D6/691

OTHER PUBLICATIONS

Find n Save, "Waverly Patio Furniture," 1 page, <http://findnsave.rstar.com/Products/ShopKo?catname=Patio+Furniture+%26+Accessories>, at least as early as Aug. 2012, 1 page.

* cited by examiner

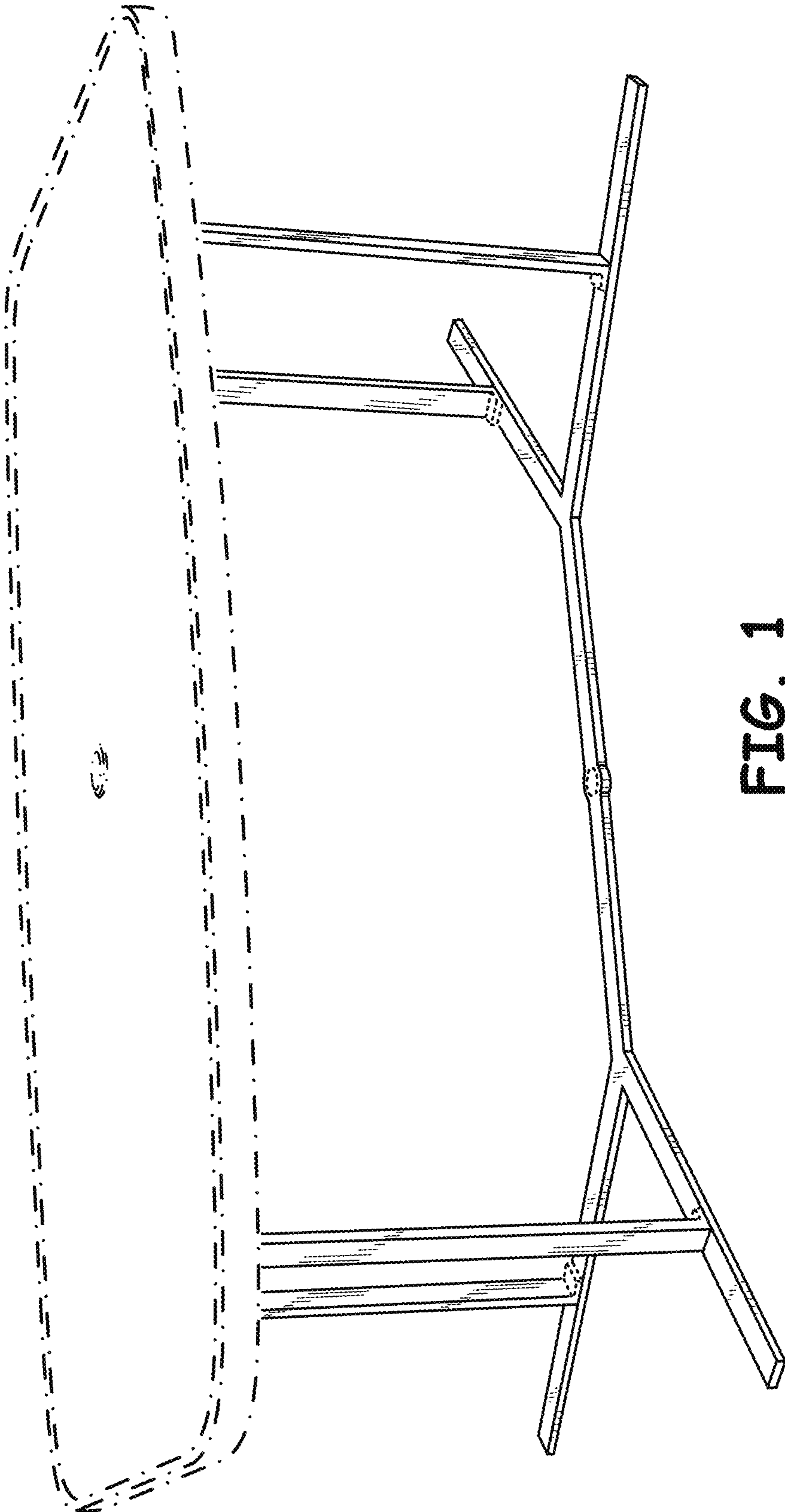


FIG. 1

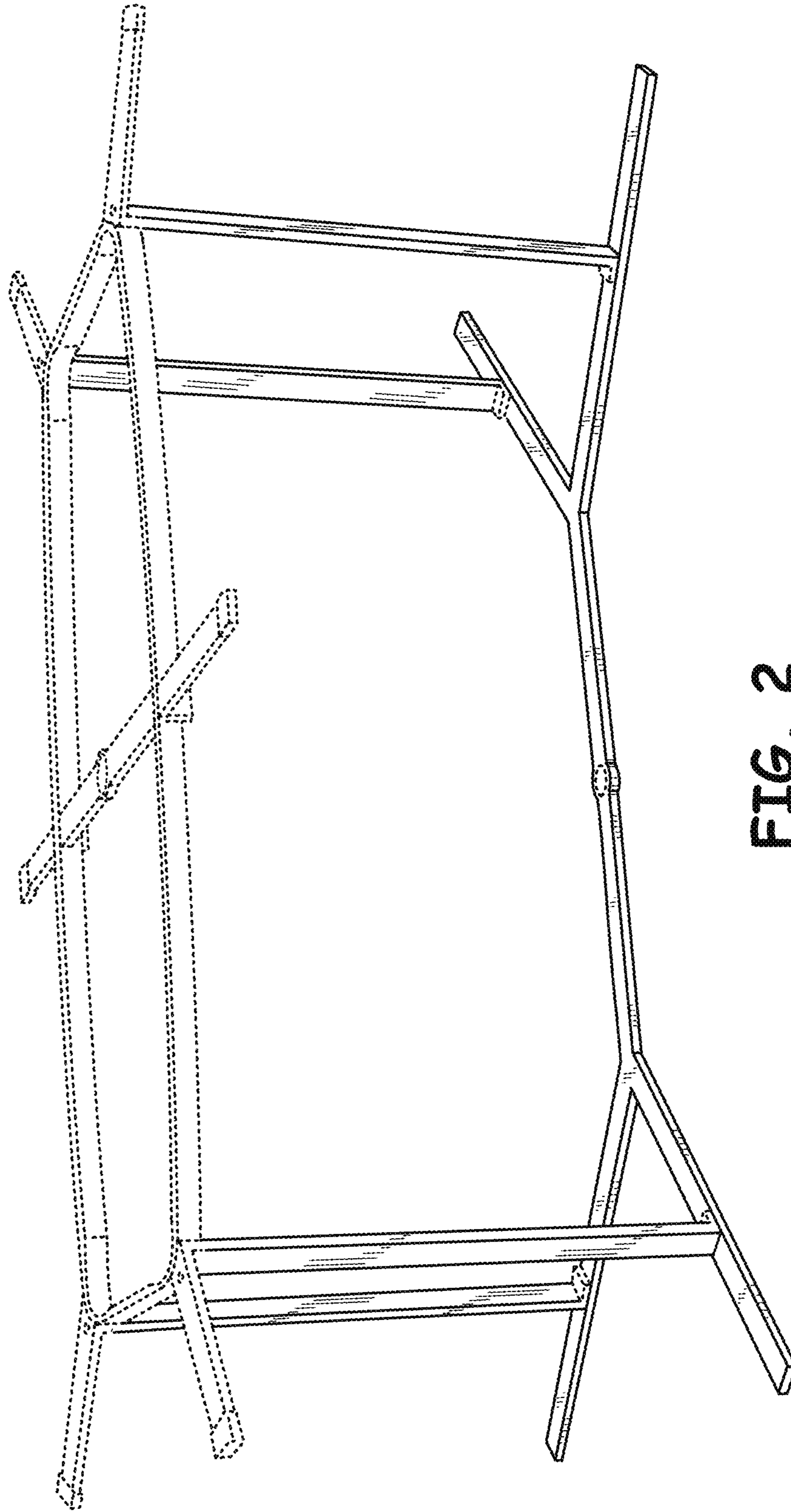


FIG. 2

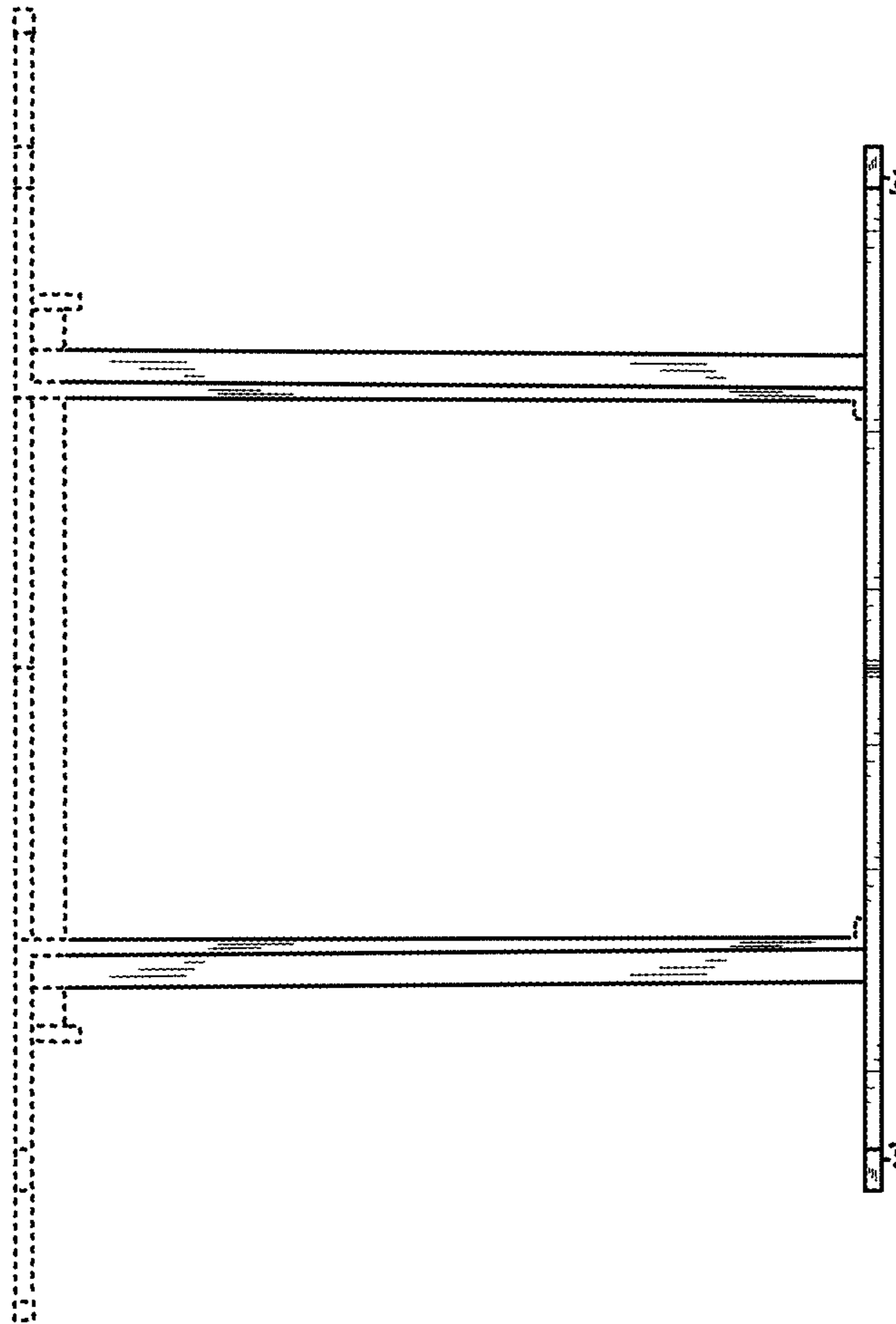


FIG. 3

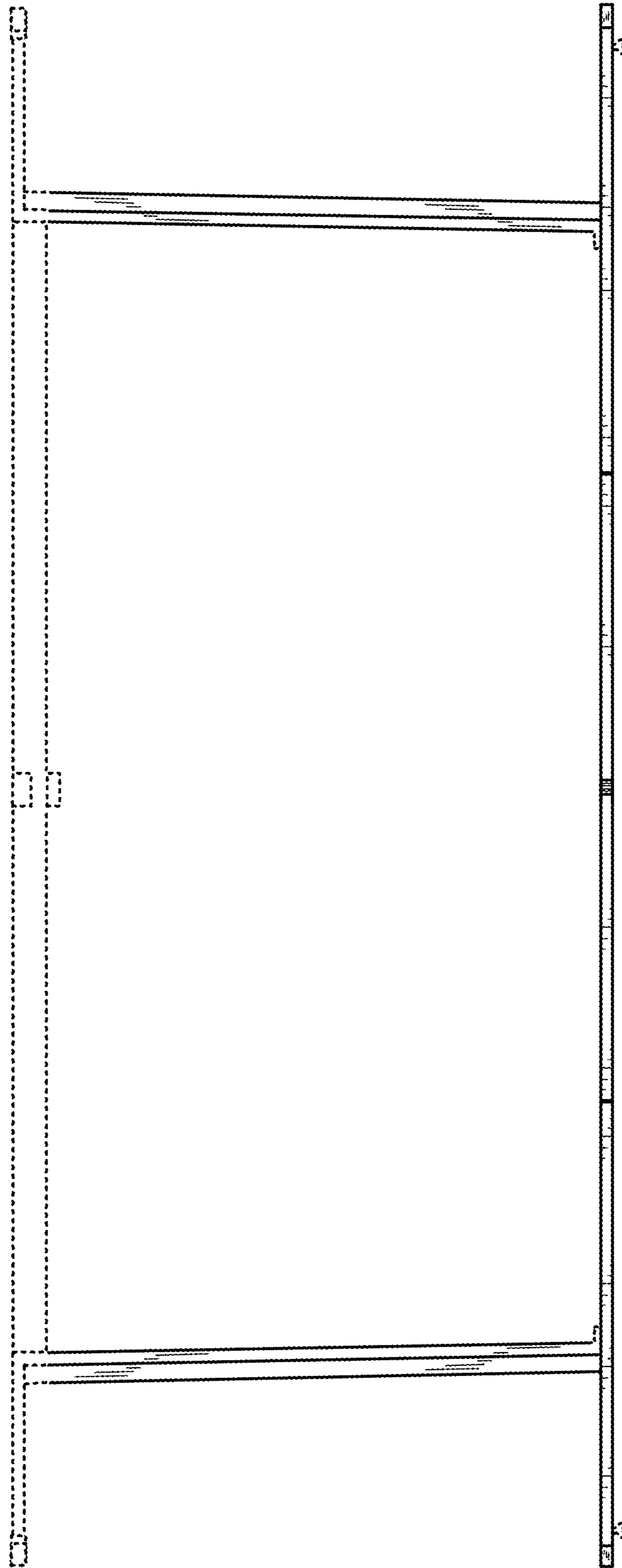


FIG. 4

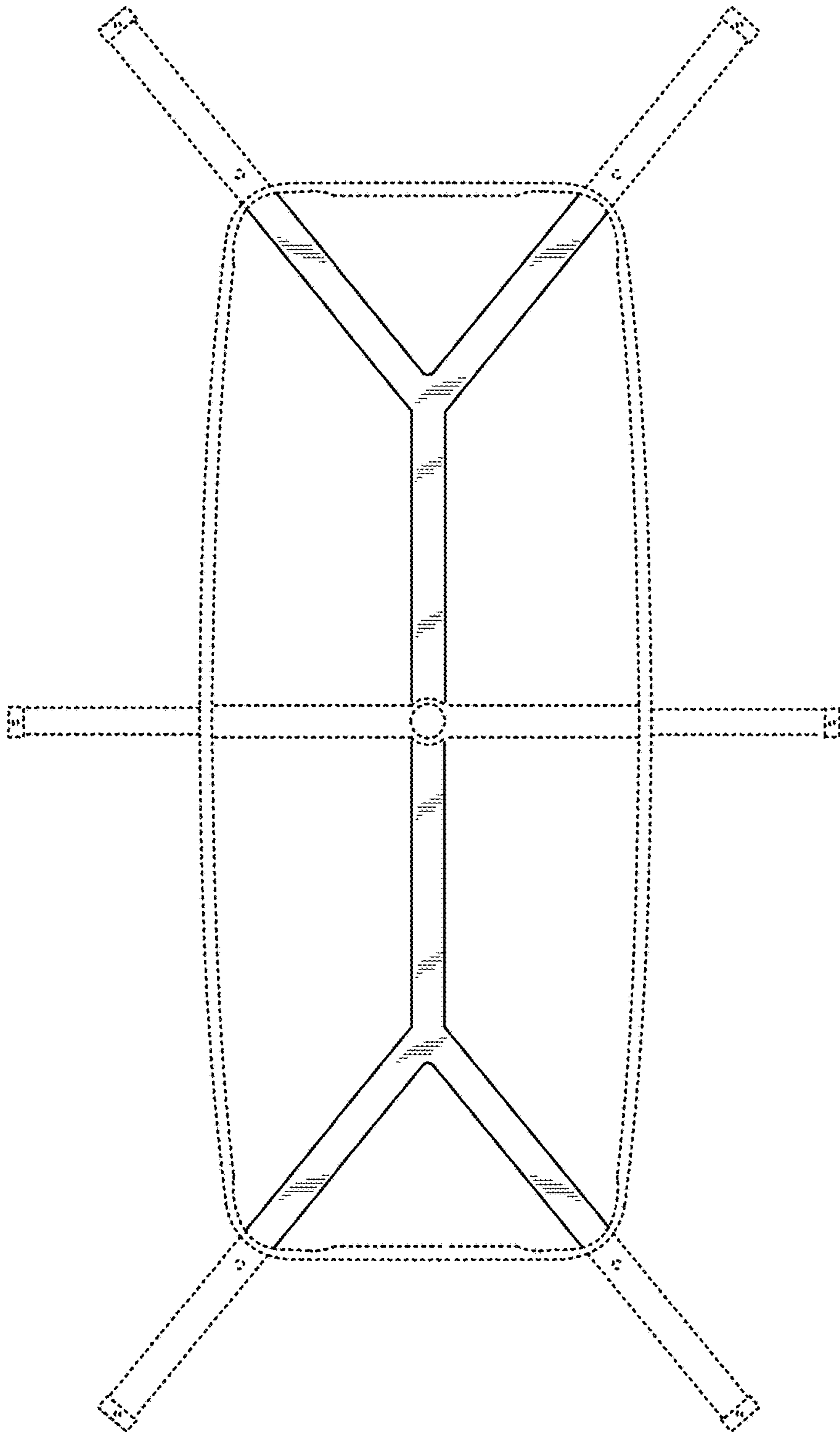


FIG. 5

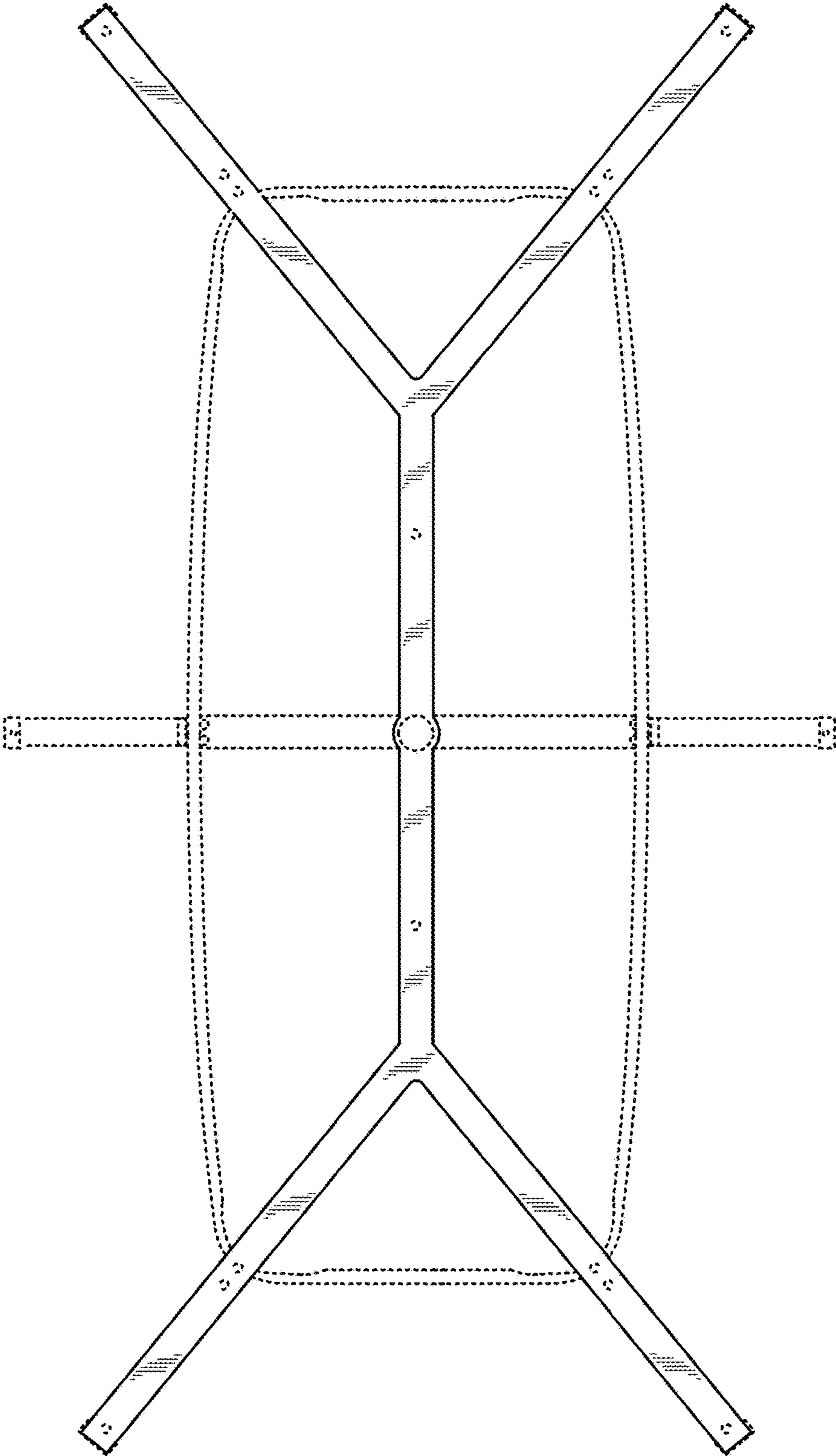


FIG. 6