



US00D826606S

(12) **United States Design Patent**
Louthan, Jr.

(10) **Patent No.:** **US D826,606 S**
(45) **Date of Patent:** **** Aug. 28, 2018**

(54) **RIGGING STORAGE CRADLE**

(71) Applicant: **Robert Barnes Louthan, Jr.**, Martinex,
GA (US)

(72) Inventor: **Robert Barnes Louthan, Jr.**, Martinex,
GA (US)

(**) Term: **15 Years**

(21) Appl. No.: **29/612,969**

(22) Filed: **Aug. 6, 2017**

Related U.S. Application Data

(60) Division of application No. 29/532,299, filed on Jul. 5, 2015, now Pat. No. Des. 793,784, which is a continuation-in-part of application No. 14/610,053, filed on Jan. 30, 2015, which is a continuation-in-part of application No. 29/478,387, filed on Jan. 3, 2014, now Pat. No. Des. 741,065, said application No. 29/532,299 is a continuation-in-part of application No. 29/478,387, filed on Jan. 3, 2014, now Pat. No. Des. 741,065, which is a continuation-in-part of application No. 14/610,053, filed on Jan. 30, 2015.

(51) **LOC (11) Cl.** **06-06**

(52) **U.S. Cl.**
USPC **D6/702**

(58) **Field of Classification Search**
USPC D6/702, 682.3, 683, 512, 515, 517, 552,
D6/553; D8/373, 363, 349; D3/207-211,
D3/215, 228, 315; D19/75; D12/223
CPC F16G 15/00; F16M 13/02; F16B 2/00;
A47B 96/06; A47B 96/14
See application file for complete search history.

(56) **References Cited**

U.S. PATENT DOCUMENTS

D196,542 S * 10/1963 Zelnick 224/163
D310,760 S * 9/1990 Murphy D6/515

D361,462 S * 8/1995 Newham D6/567
D394,862 S * 6/1998 Fischer D14/253
D396,160 S * 7/1998 Huang D6/567
D473,076 S * 4/2003 Johnson D6/407
D477,268 S * 7/2003 Baynes D12/223
D485,060 S * 1/2004 DeCotis D3/215
D540,082 S * 4/2007 Mandel D6/515
D560,088 S * 1/2008 Tracy D6/552
D567,560 S * 4/2008 Byers D6/553
D611,886 S * 3/2010 Peschmann D12/223
D611,887 S * 3/2010 Peschmann D12/223
D624,805 S * 10/2010 Clarke D8/354
D627,181 S * 11/2010 Lehr D6/515
D713,463 S * 9/2014 Dougherty D20/43
D741,065 S * 10/2015 Louthan, Jr. D3/315
D755,608 S * 5/2016 Lawson D8/354
D763,665 S * 8/2016 Hallare D8/356
D767,370 S * 9/2016 Yato D8/354
D793,784 S * 8/2017 Louthan, Jr. D6/702
2015/0189987 A1 * 7/2015 Louthan, Jr. B21D 35/002
211/13.1

* cited by examiner

Primary Examiner — George D. Kirschbaum
Assistant Examiner — Clese Moore, Jr.
(74) *Attorney, Agent, or Firm* — Monty Simmons;
Simmons Patents

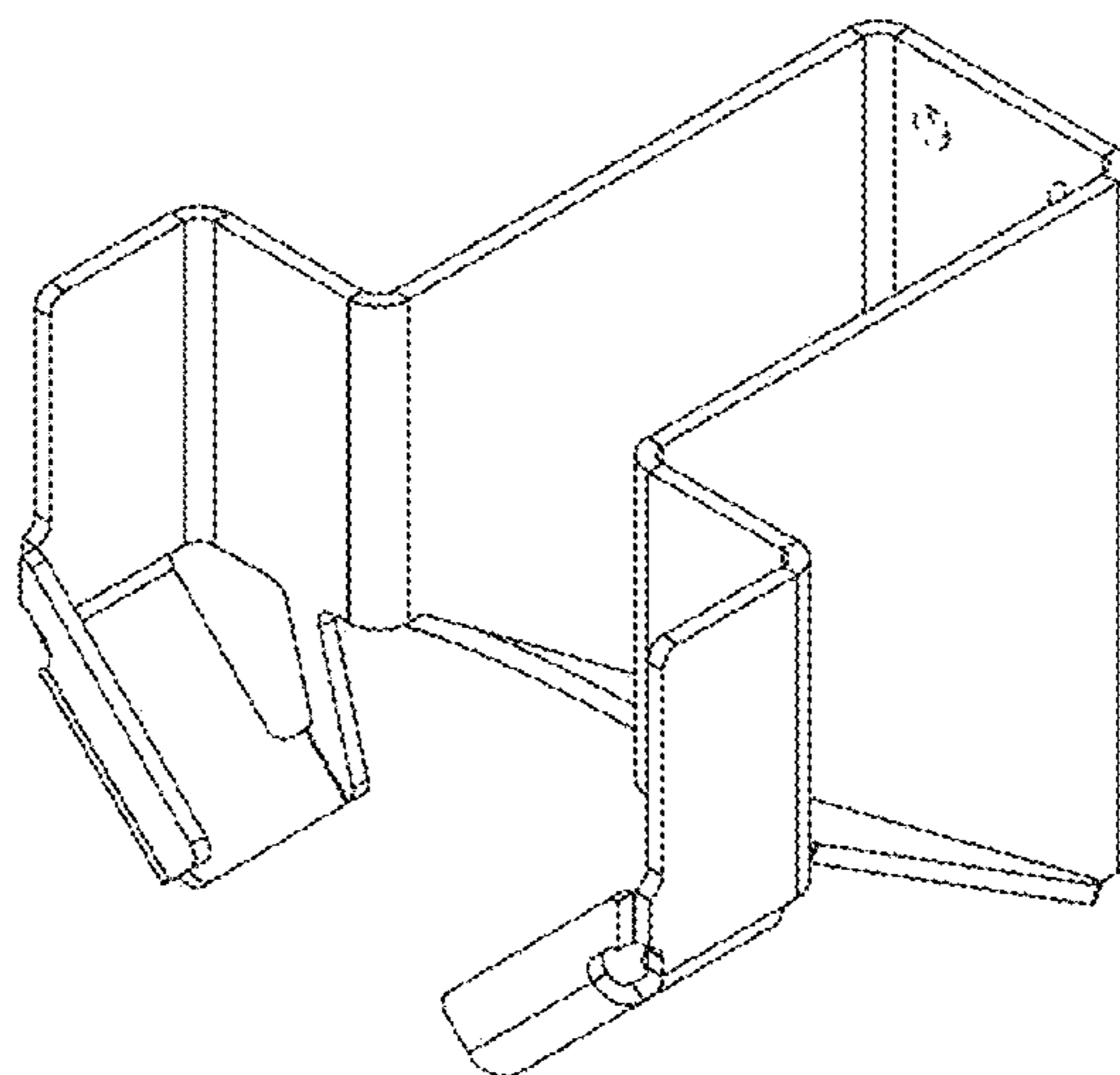
(57) **CLAIM**

The ornamental design for a rigging storage cradle, as shown and described.

DESCRIPTION

FIG. 1 is an elevated front perspective view thereof;
FIG. 2 is a bottom rear perspective view thereof;
FIG. 3 is a top plan view thereof;
FIG. 4 is a front elevational view thereof;
FIG. 5 is a rear elevational view thereof; and,
FIG. 6 is a side elevational view thereof.
The broken lines shown illustrate portions of the rigging storage cradle that form no part of the claimed design.

1 Claim, 6 Drawing Sheets



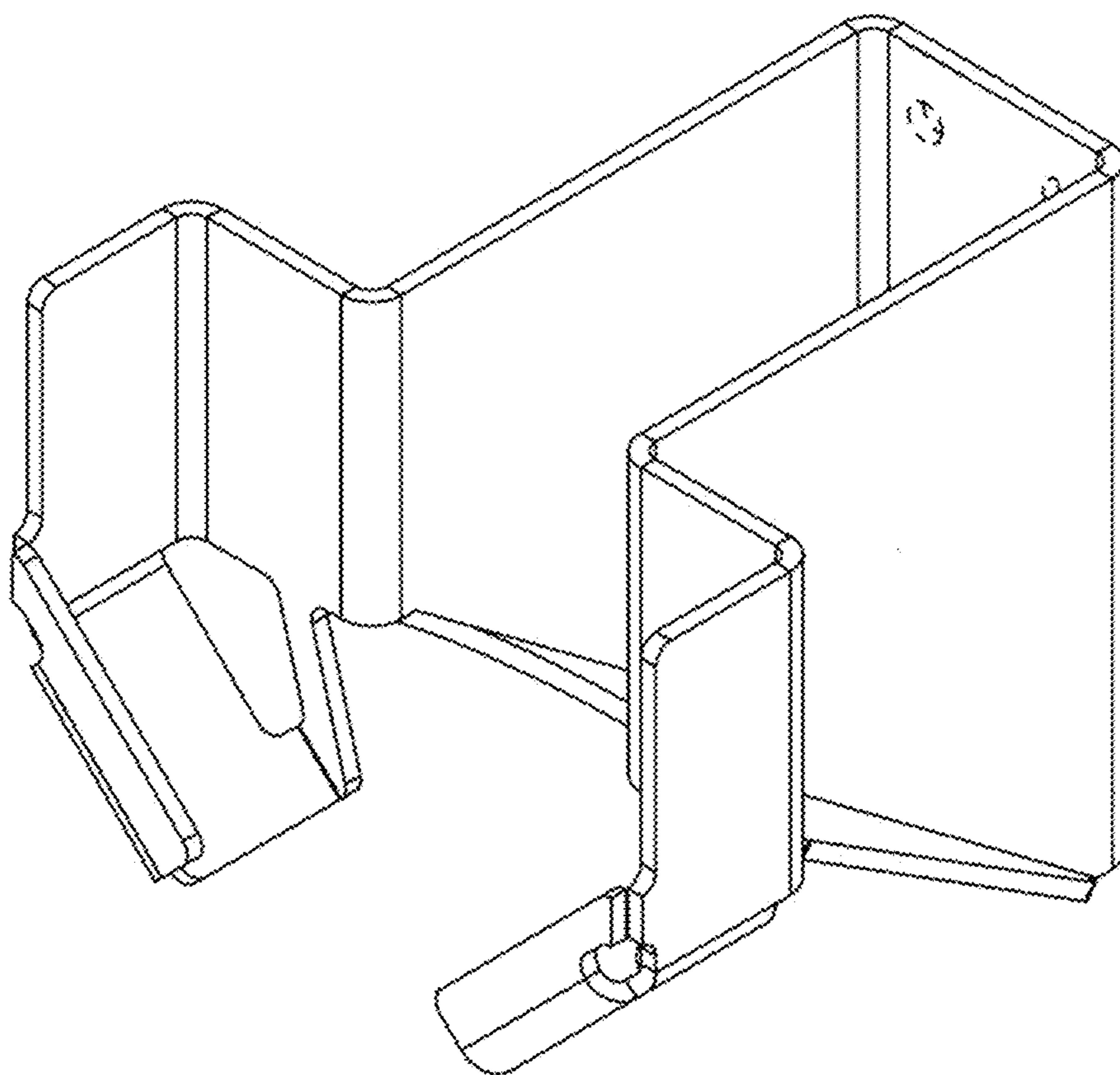


Fig. 1

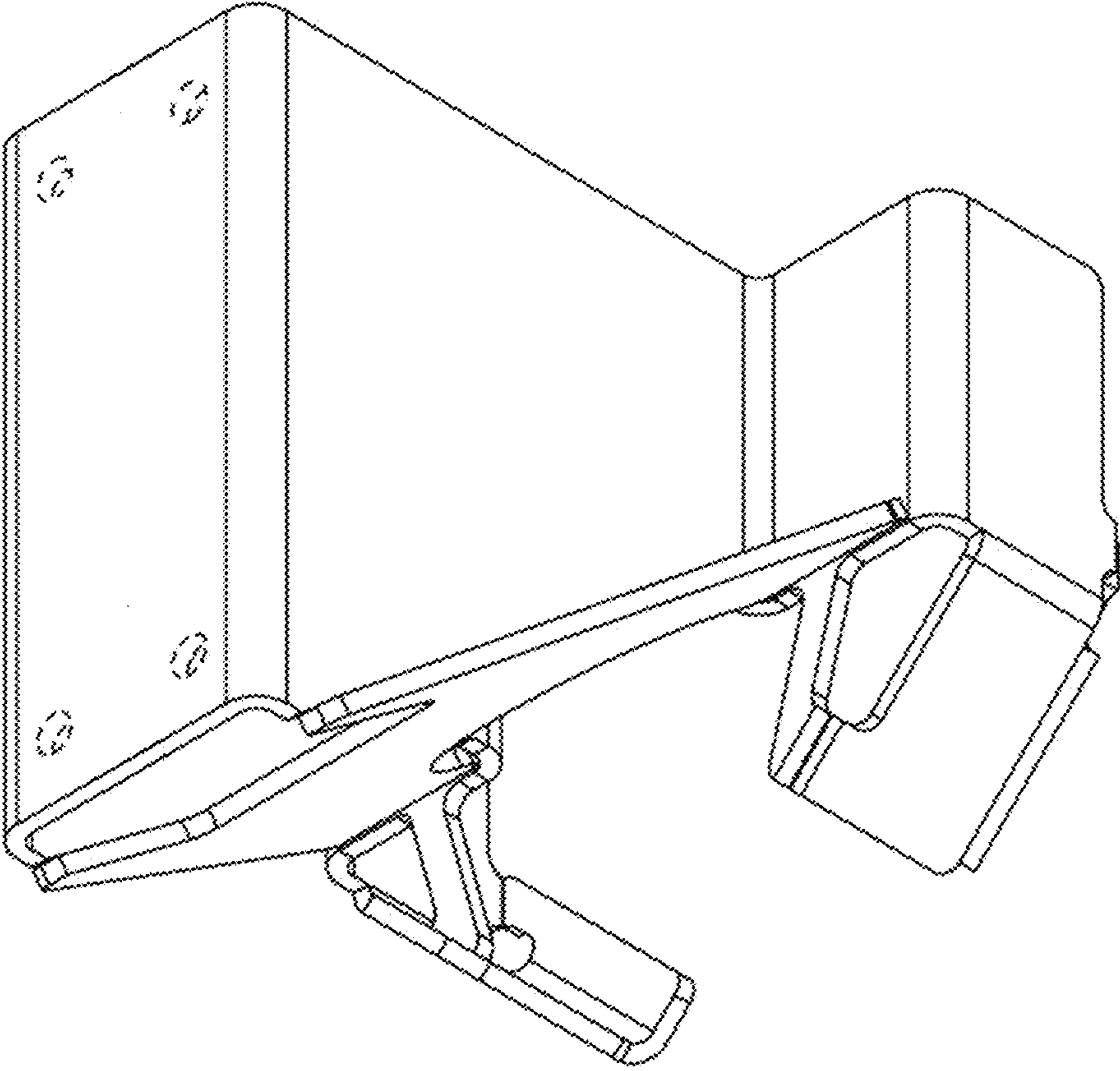


Fig. 2

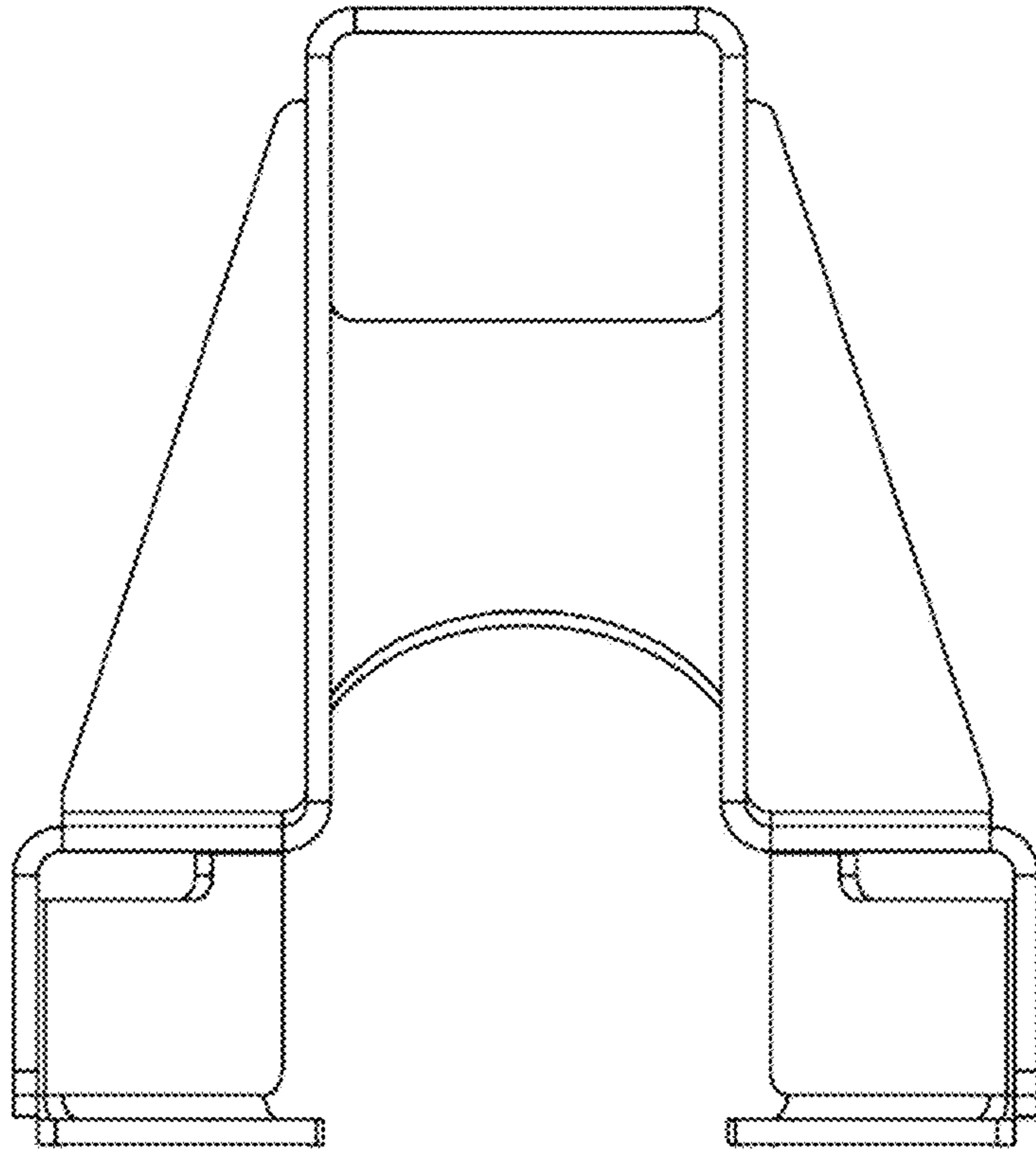


Fig. 3

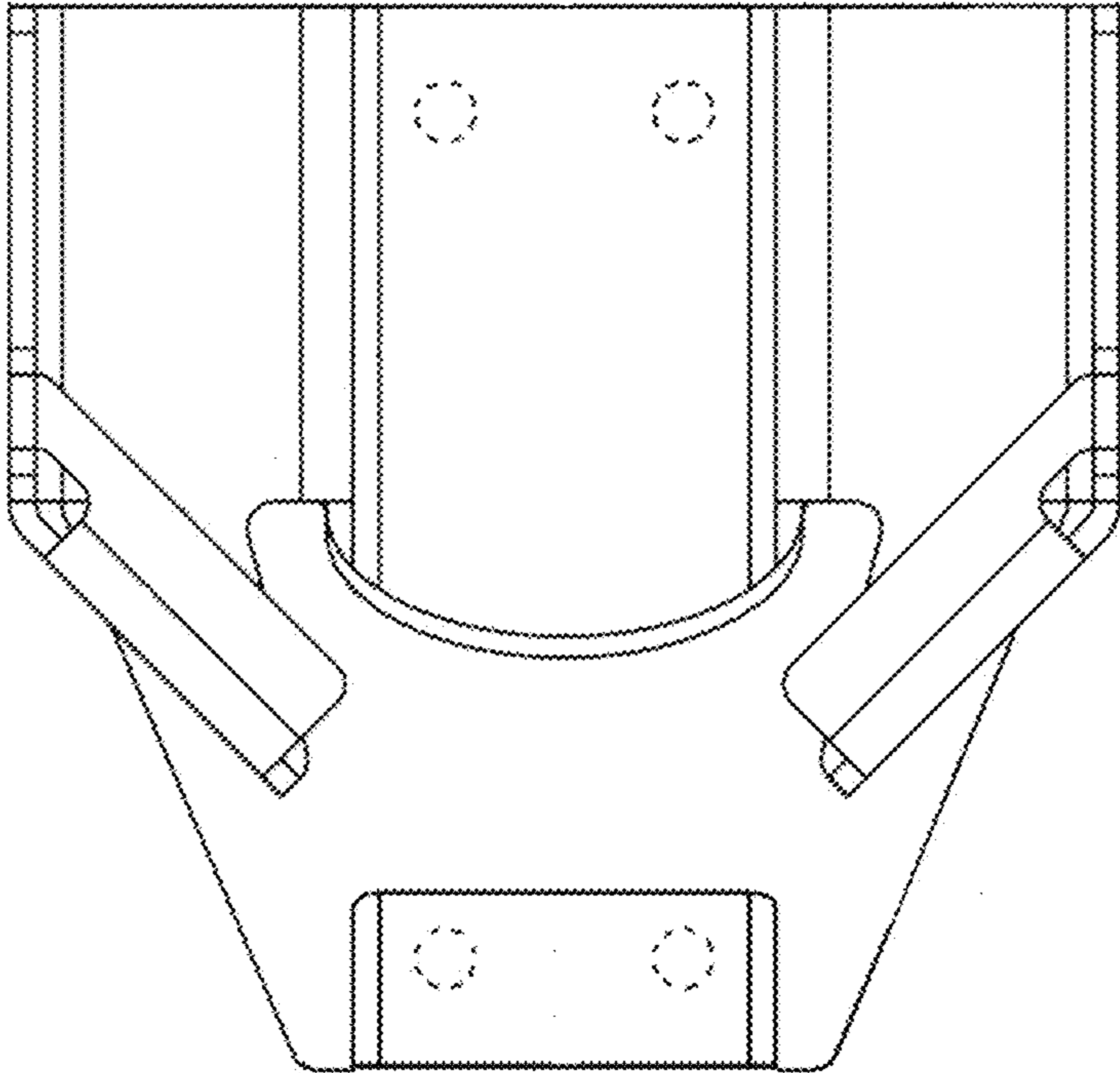


Fig. 4

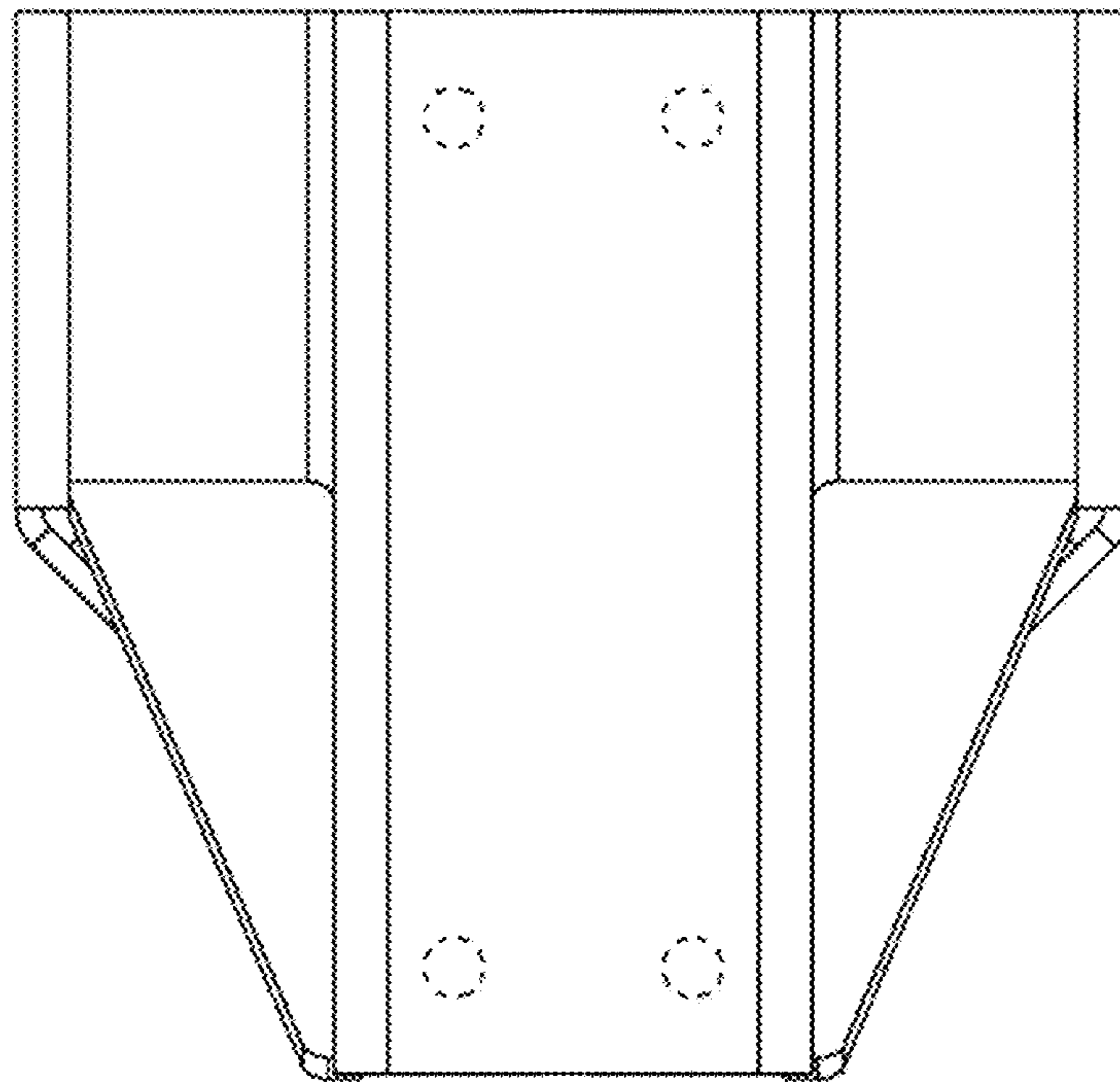


Fig. 5

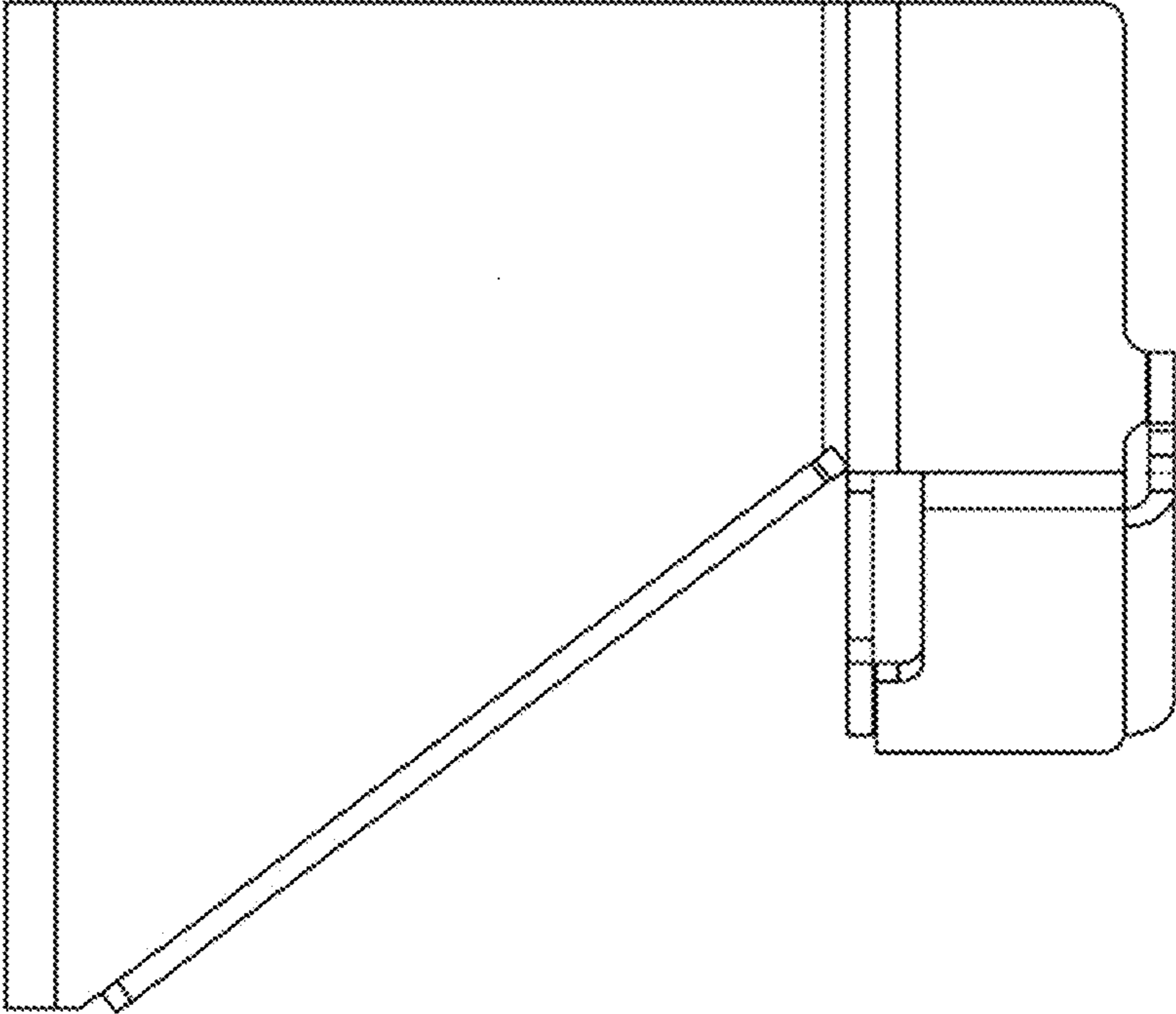


Fig. 6