



US00D826603S

(12) **United States Design Patent**
Alvarez

(10) **Patent No.:** **US D826,603 S**
(45) **Date of Patent:** **** Aug. 28, 2018**

(54) **CORNER CABINET WITH EXTENDING SHELVES**

D441,571 S * 5/2001 Heiny D6/678.1
D481,225 S * 10/2003 Burt D6/678.1
D651,021 S * 12/2011 Etchells D6/669

(71) Applicant: **Arelhy Arroyo Alvarez**, Santa Barbara, CA (US)

* cited by examiner

(72) Inventor: **Arelhy Arroyo Alvarez**, Santa Barbara, CA (US)

Primary Examiner — Mimoso De

(74) *Attorney, Agent, or Firm* — Felix L. Fischer

(**) Term: **15 Years**

(57) **CLAIM**

The ornamental design for a corner cabinet with extending shelves, as shown and described.

(21) Appl. No.: **29/596,991**

DESCRIPTION

(22) Filed: **Mar. 13, 2017**

(51) **LOC (11) Cl.** **06-04**

(52) **U.S. Cl.**
USPC **D6/671.2**

(58) **Field of Classification Search**
USPC D6/657, 663, 664, 661, 662, 662.1, 667, D6/668.2, 669, 671.1, 671.2, 671.3, 671.4, 678.1
CPC A47B 17/04; A47B 43/00; A47B 45/00; A47B 47/00; A47B 47/03; A47B 47/04; A47B 83/00; A47B 87/0215
See application file for complete search history.

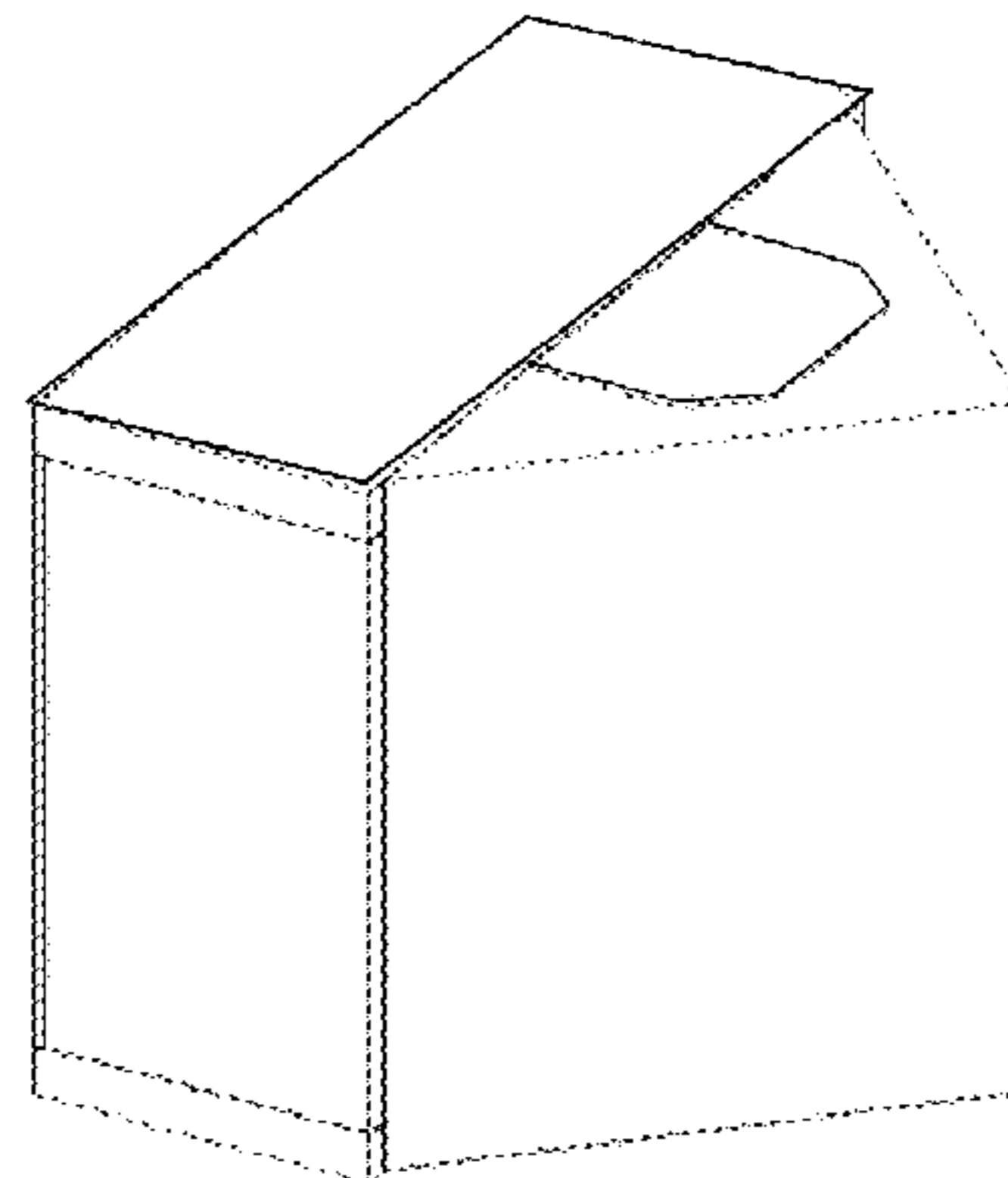
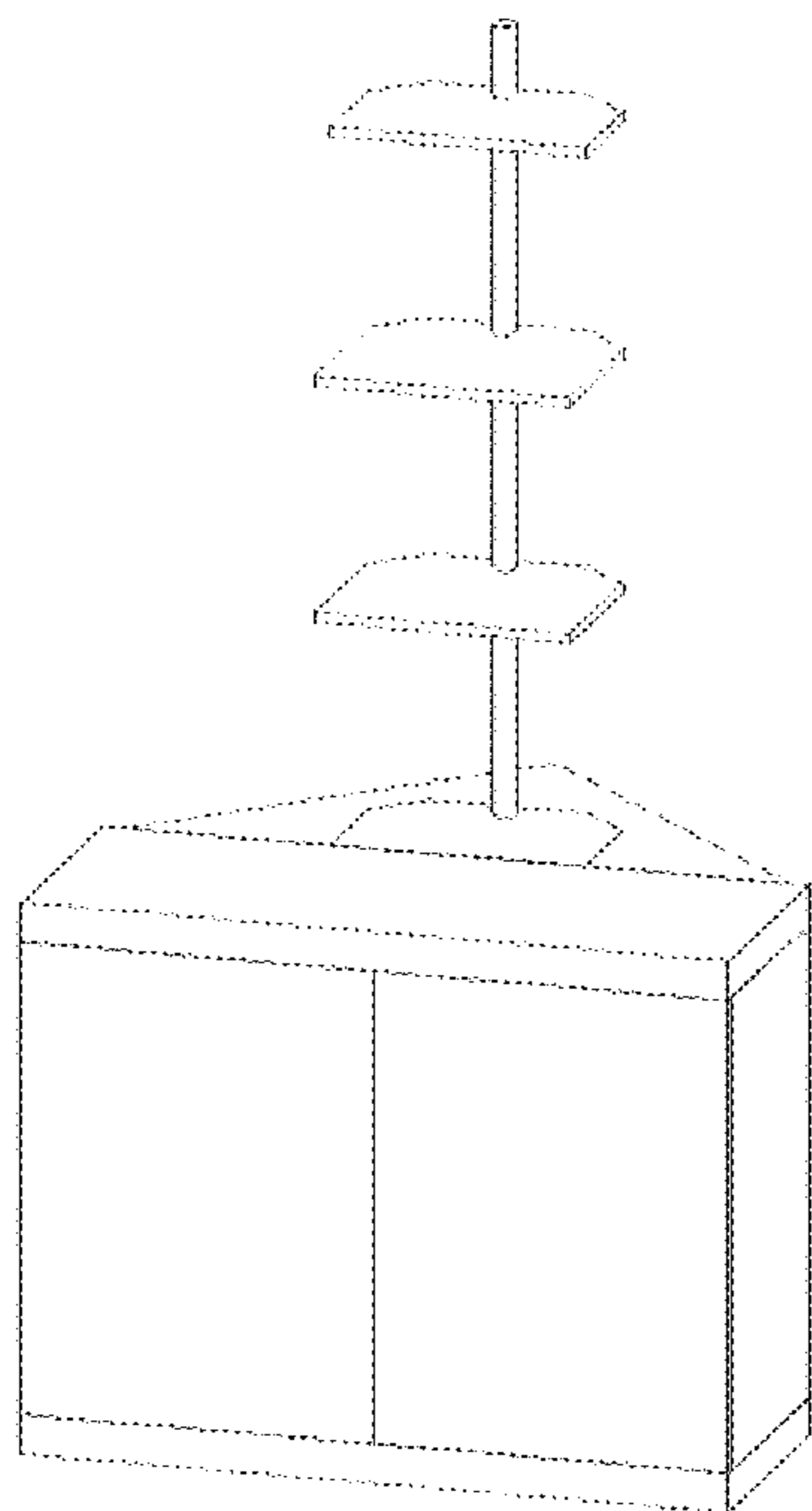
FIG. 1 is a top front perspective view of a for a corner cabinet according to the present design with the shelves in an extended position;
FIG. 2 is a top rear perspective view of the for the corner cabinet of FIG. 1;
FIG. 3 a front view of the corner cabinet of FIG. 1;
FIG. 4 is a rear view of the corner cabinet of FIG. 1;
FIG. 5 is a left side view of the corner cabinet of FIG. 1;
FIG. 6 a right side view of the corner cabinet of FIG. 1;
FIG. 7 a top view of the corner cabinet of FIG. 1;
FIG. 8 is a top front perspective view of a for a corner cabinet according to the present design with the shelves in a retracted position;
FIG. 9 is a top rear perspective view of the for the corner cabinet of FIG. 8;
FIG. 10 a front view of the corner cabinet of FIG. 8;
FIG. 11 is a rear view of the corner cabinet of FIG. 8;
FIG. 12 is a left side view of the corner cabinet of FIG. 8;
FIG. 13 is a right side view of the corner cabinet of FIG. 8;
FIG. 14 a top view of the corner cabinet of FIG. 8; and,
FIG. 15 a bottom view of the corner cabinet.

(56) **References Cited**

U.S. PATENT DOCUMENTS

D152,330 S * 1/1949 Dillon D6/678.1
D156,793 S * 1/1950 Wilks D6/668.2
D186,580 S * 11/1959 Blalack D6/664
D220,706 S * 5/1971 Reid D6/662.1
D228,213 S * 8/1973 Johnston D6/678.1
D237,124 S * 10/1975 Pearson D6/671.2
D252,549 S * 8/1979 Lee D6/664
D377,281 S * 1/1997 McFarlane D6/671.1

1 Claim, 15 Drawing Sheets



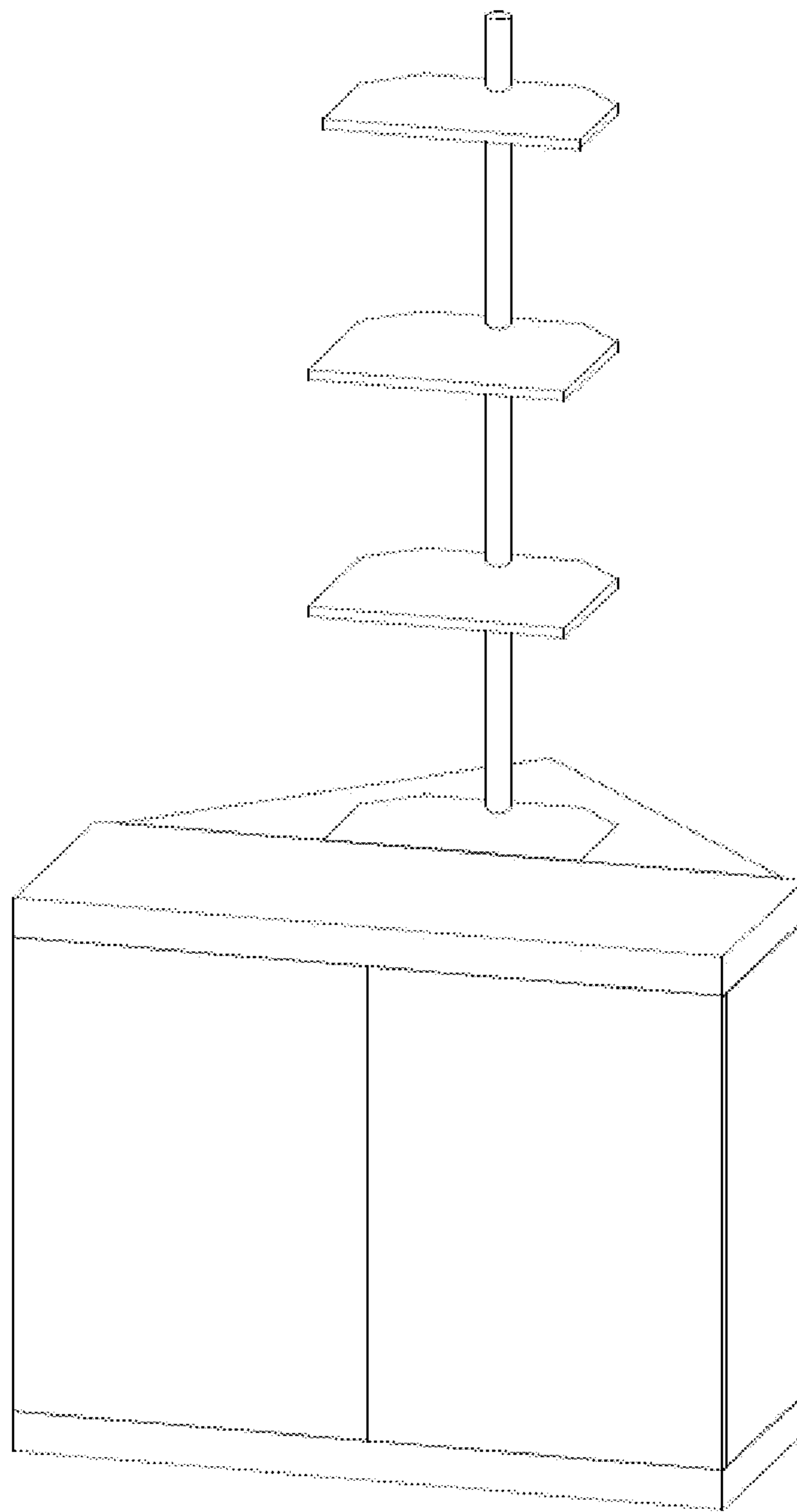


FIG. 1

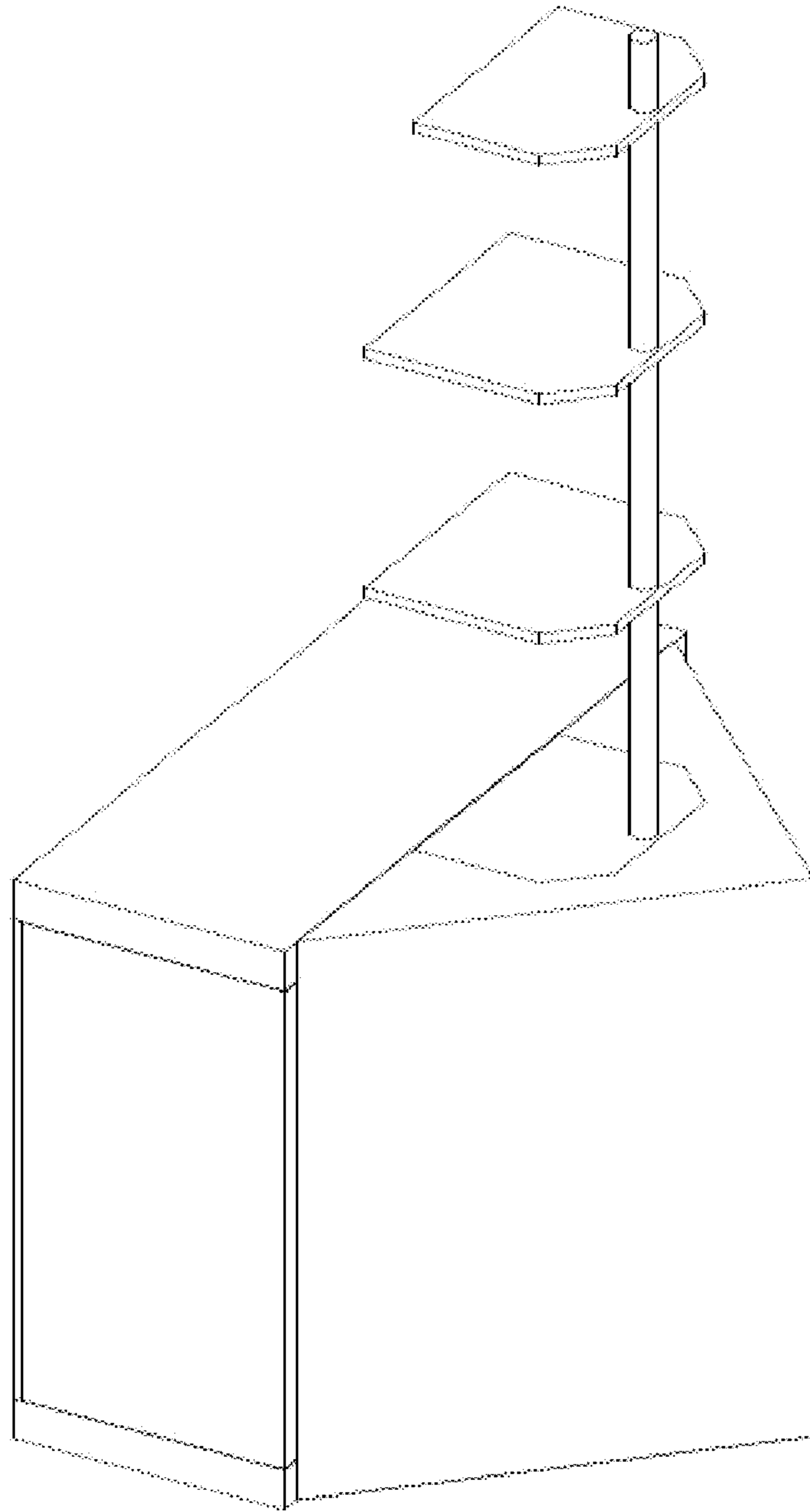


FIG. 2

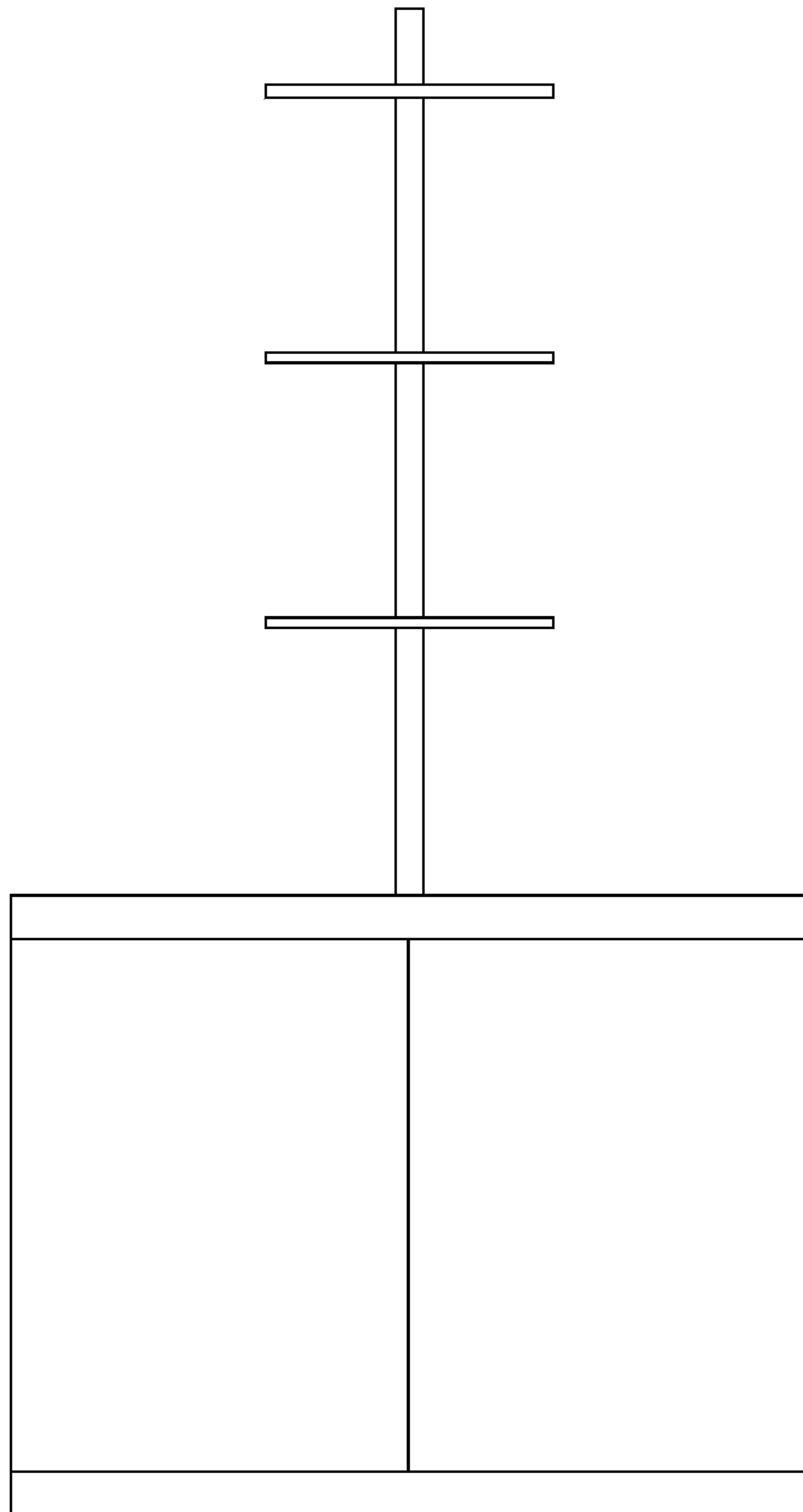


FIG. 3

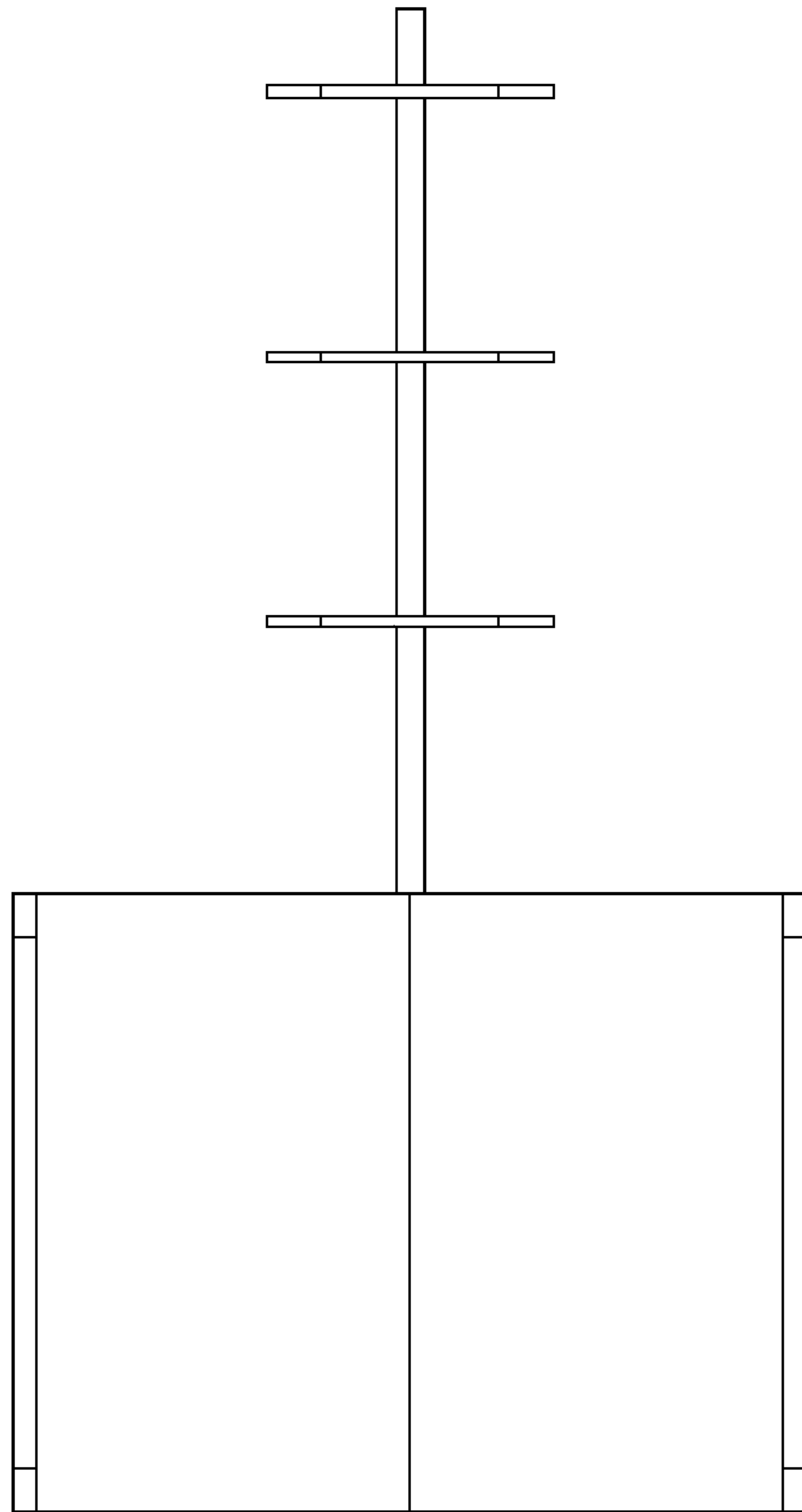


FIG. 4

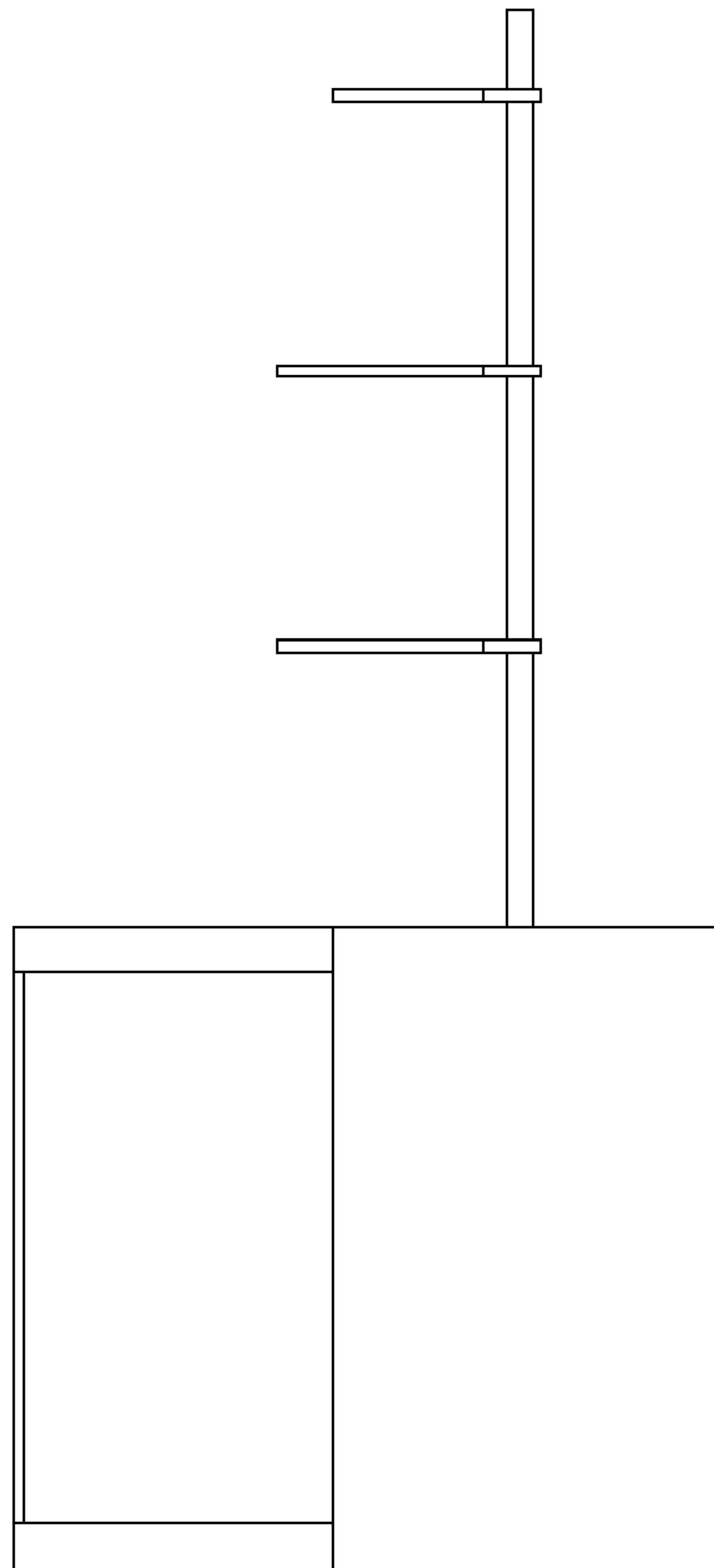


FIG. 5

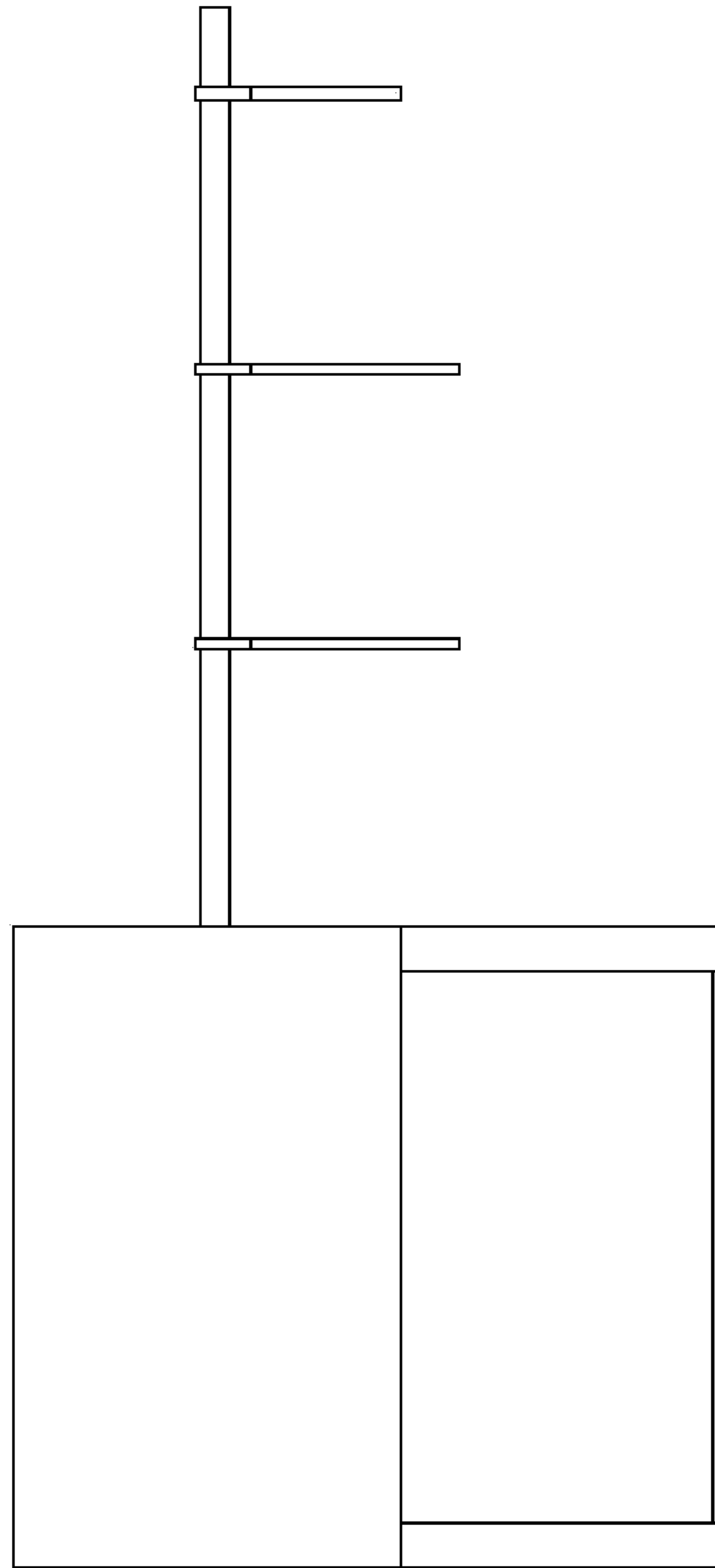


FIG. 6

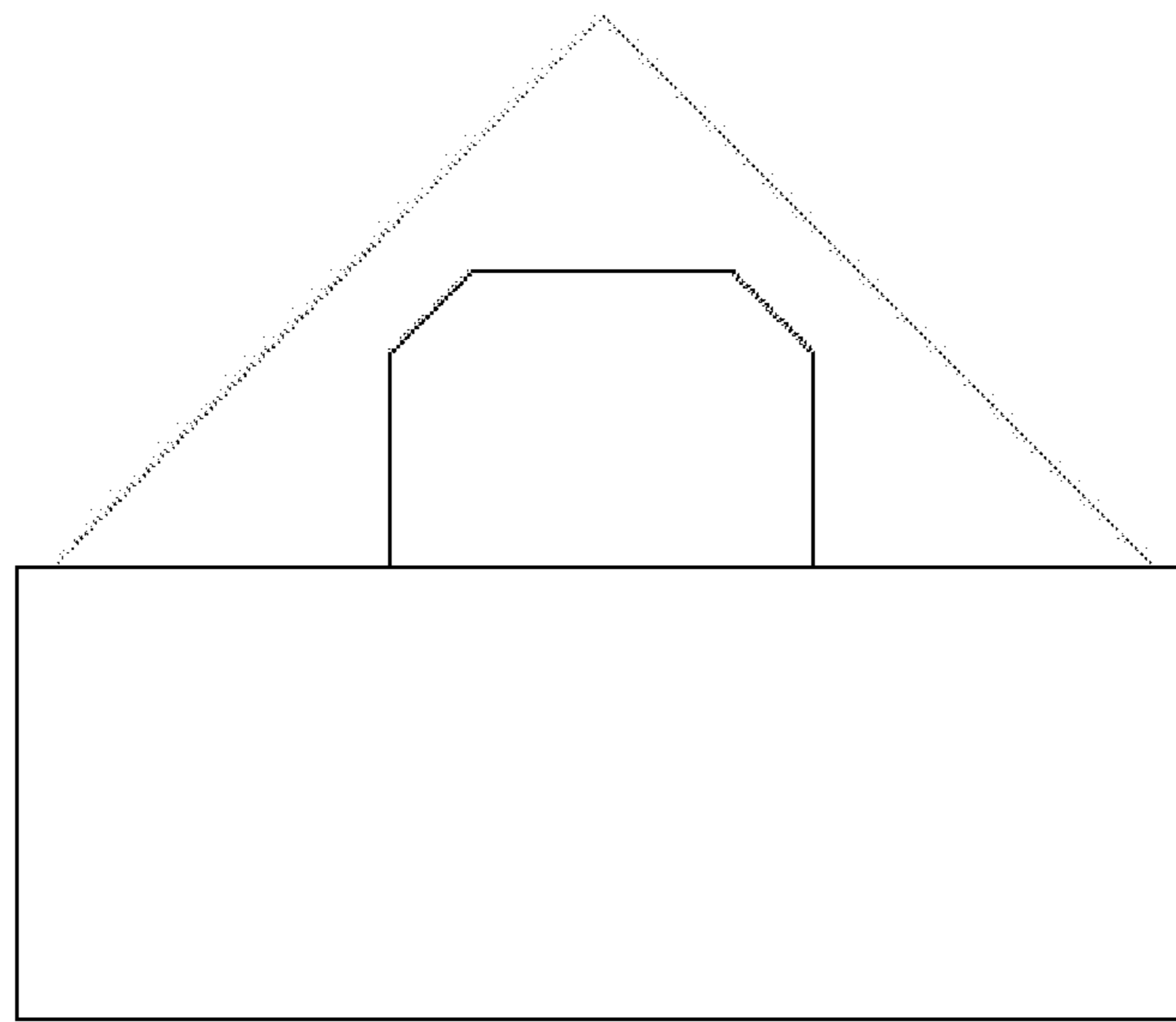


FIG. 7

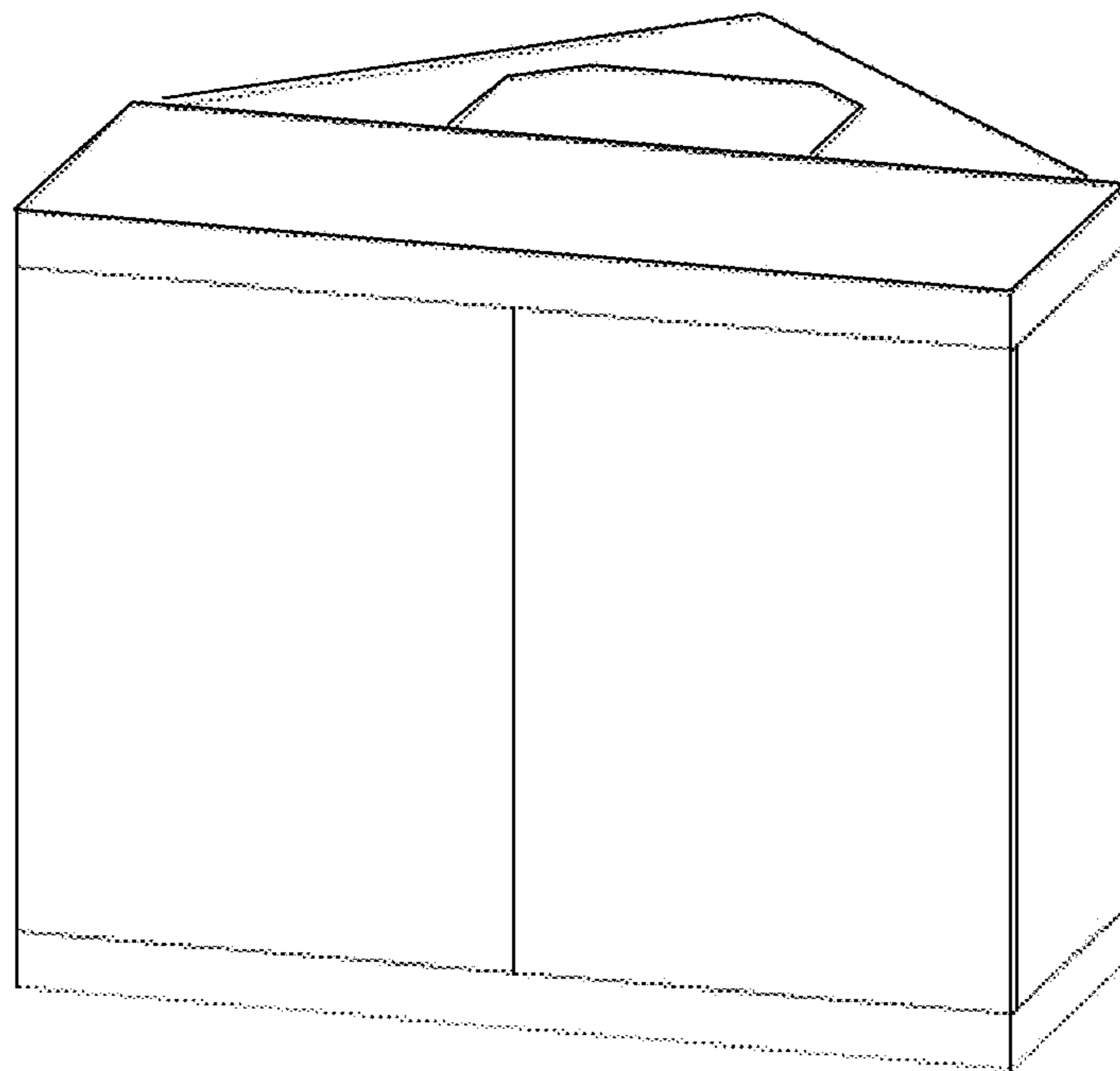


FIG. 8

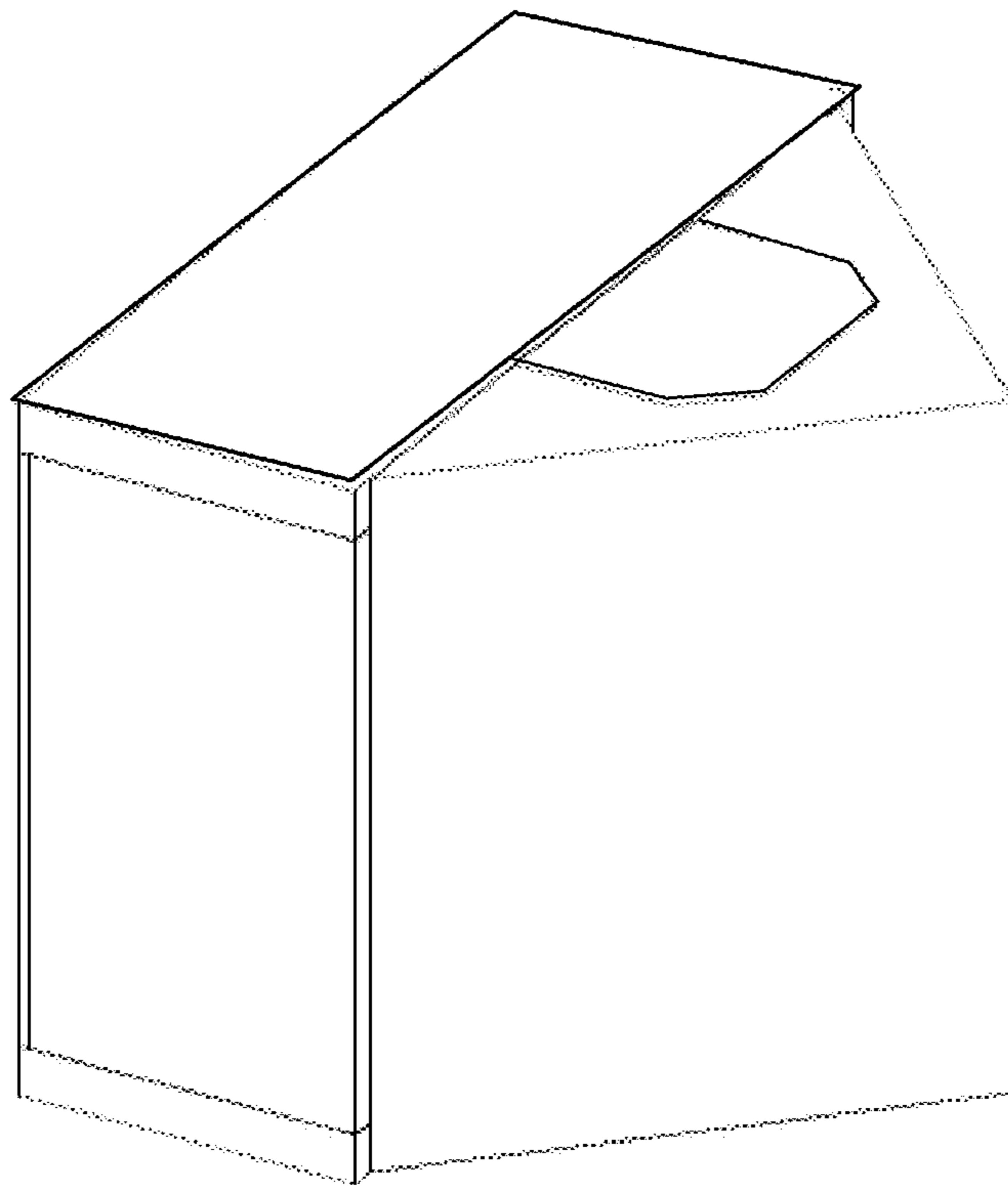


FIG. 9

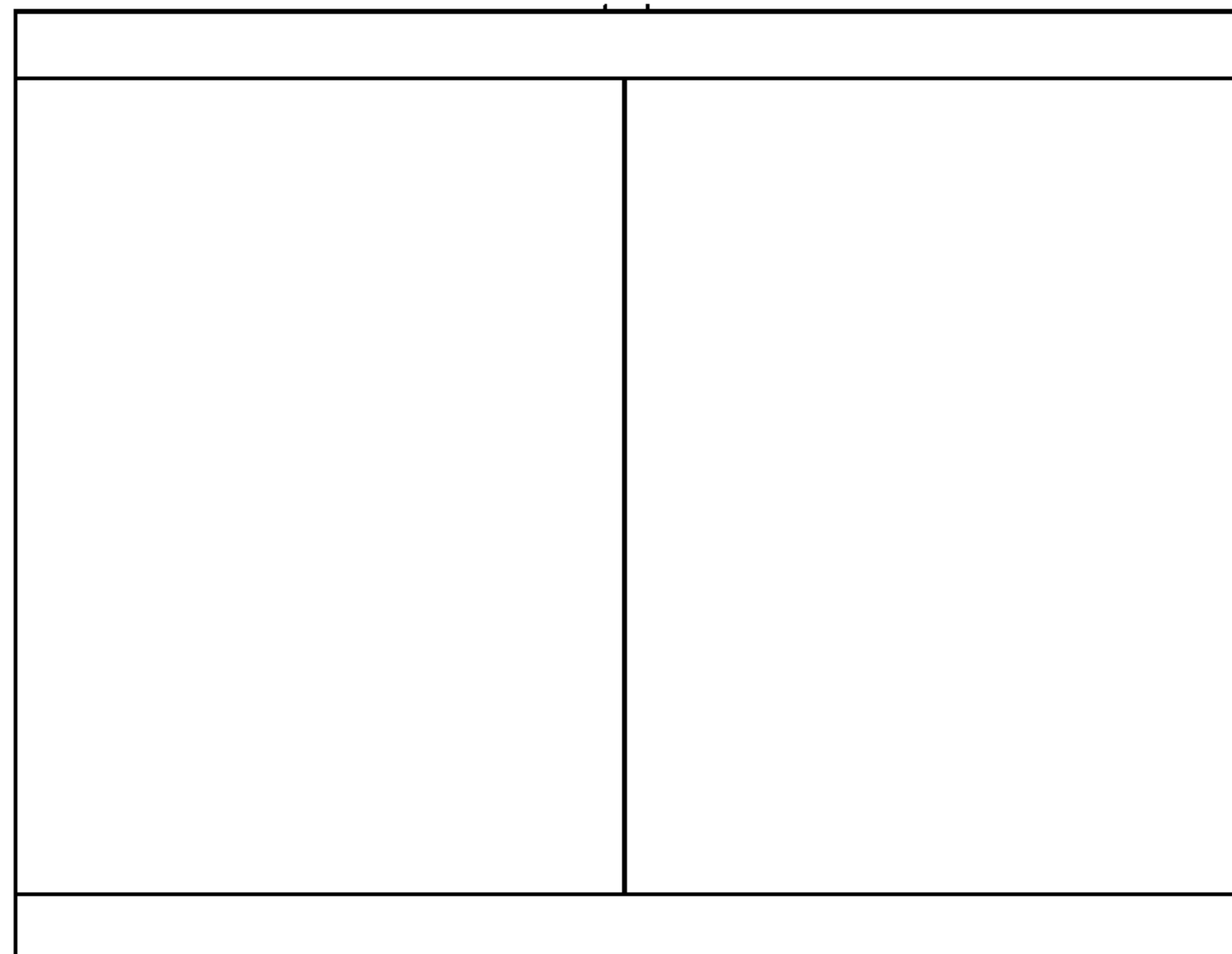


FIG. 10

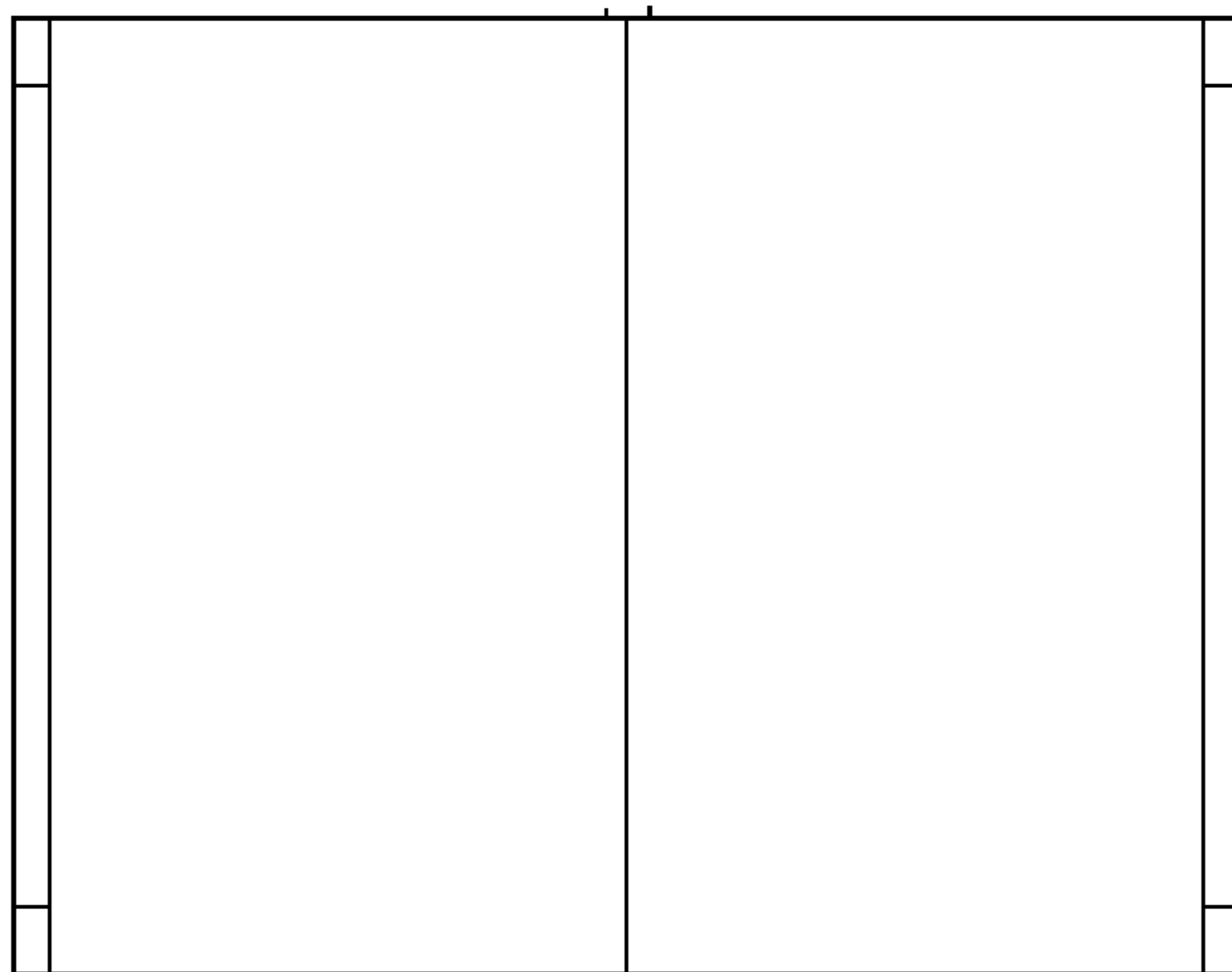


FIG. 11

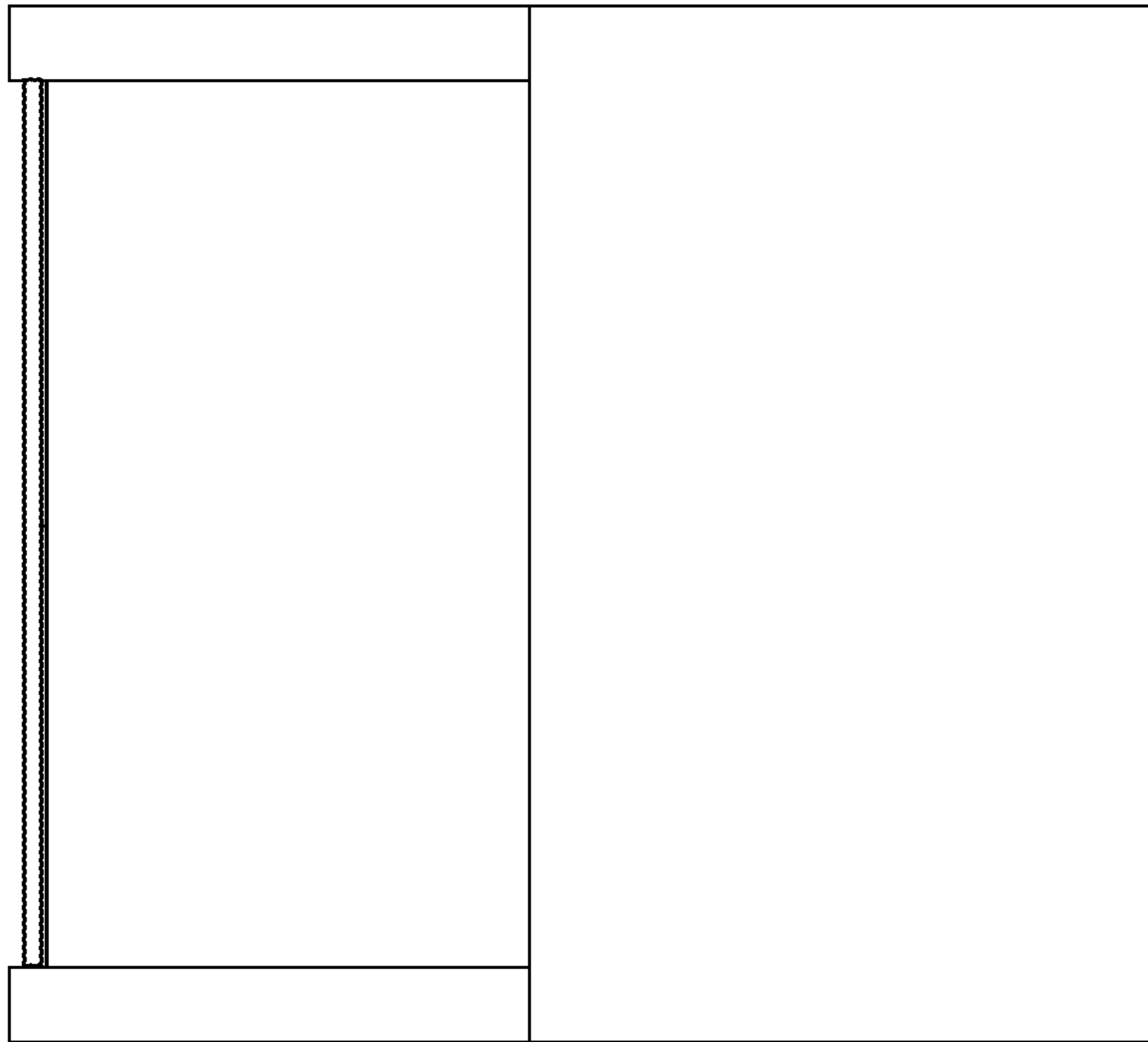


FIG. 12

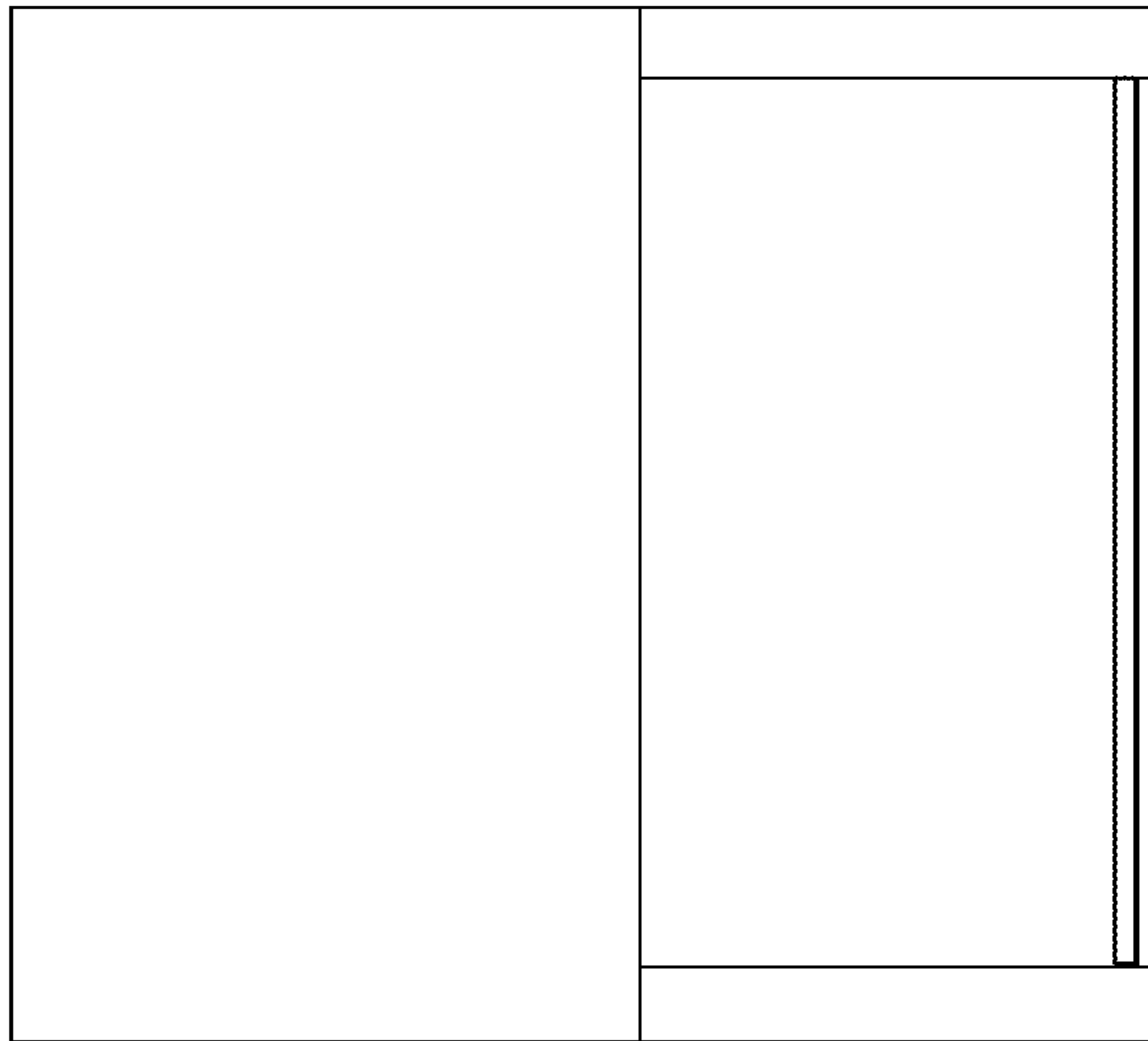


FIG. 13

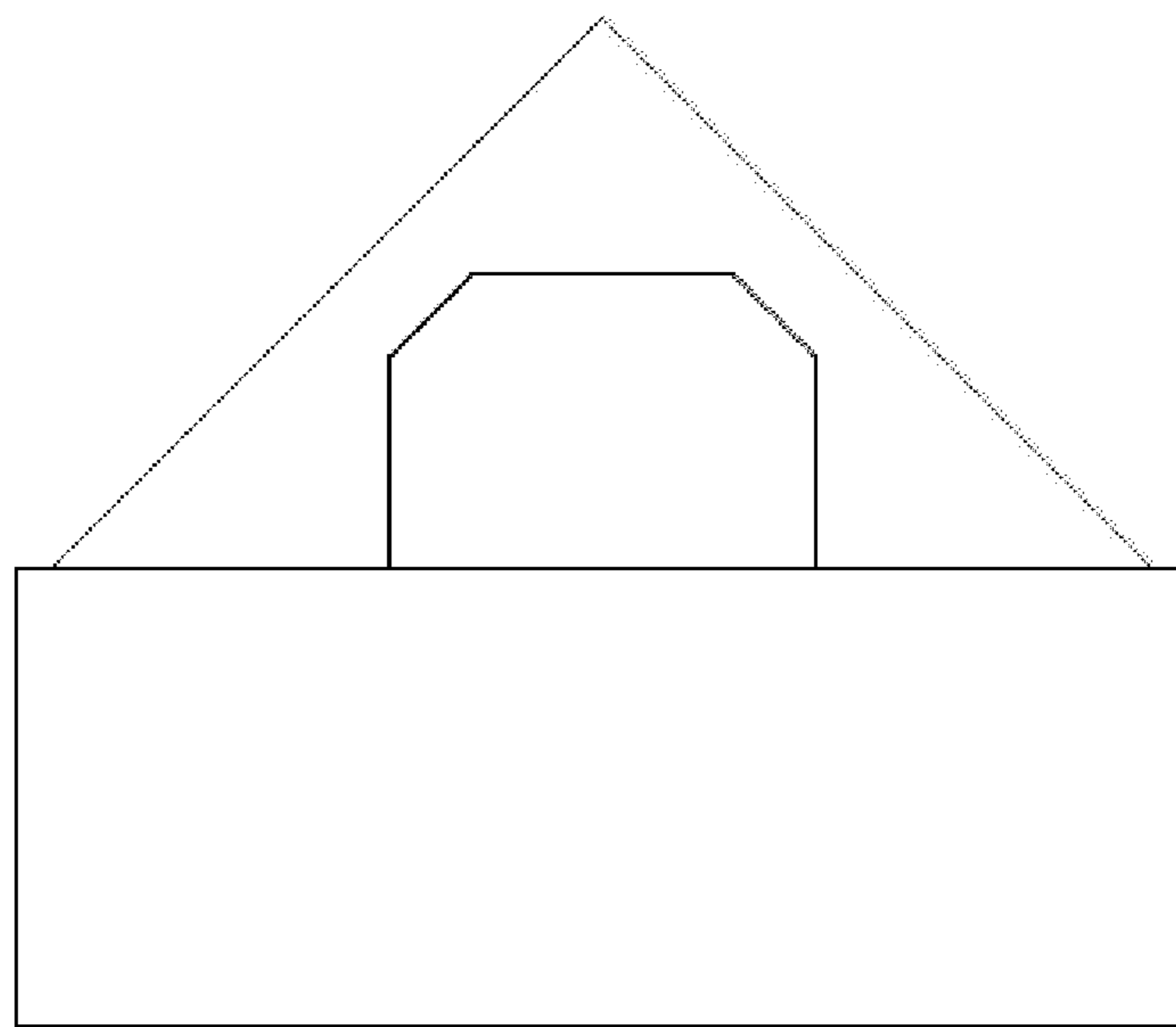


FIG. 14

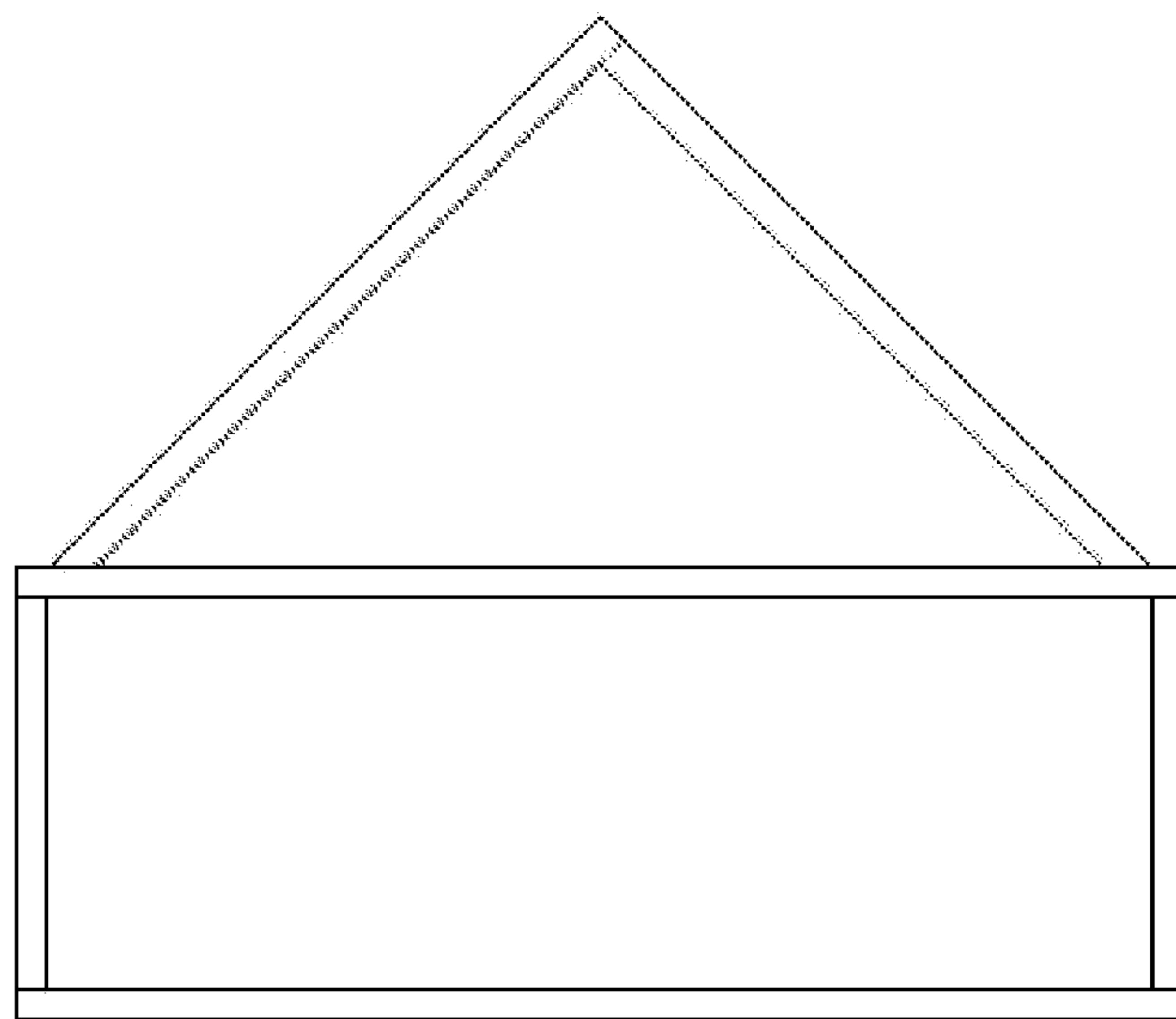


FIG. 15