



US00D826602S

(12) **United States Design Patent** (10) **Patent No.:** **US D826,602 S**
Allen (45) **Date of Patent:** **** Aug. 28, 2018**

(54) **LOCKER WITH FOLDING SEAT BACK**

DESCRIPTION

(71) Applicant: **Sam Allen**, Maypearl, TX (US)
(72) Inventor: **Sam Allen**, Maypearl, TX (US)
(**) Term: **15 Years**
(21) Appl. No.: **29/595,094**
(22) Filed: **Feb. 24, 2017**
(51) **LOC (11) Cl.** **06-04**
(52) **U.S. Cl.**
USPC **D6/664**
(58) **Field of Classification Search**
USPC ... D6/334, 335, 336, 368, 642, 664, 707.19;
D8/331
CPC A47C 7/021; A47C 27/088; B61D 33/00;
B64D 25/10; E06B 5/006
See application file for complete search history.

FIG. 1 is a perspective view of a locker with folding seat back according to the present application.
FIG. 2 is a front view of the locker with folding seat back of FIG. 1.
FIG. 3 is a rear view of the locker with folding seat back of FIG. 1.
FIG. 4 is a right side view of the locker with folding seat back of FIG. 1.
FIG. 5 is a left side view of the locker with folding seat back of FIG. 1.
FIG. 6 is a top view of the locker with folding seat back of FIG. 1.
FIG. 7 is a bottom view of the locker with folding seat back of FIG. 1.
FIG. 8 is a perspective view of the locker with folding seat back of FIG. 1 shown with the seat back folded out according to the present application.
FIG. 9 is a perspective view of an alternative embodiment of a locker with folding seat back according to the present application.
FIG. 10 is a front view of the locker with folding seat back of FIG. 9.
FIG. 11 is a rear view of the locker with folding seat back of FIG. 9.
FIG. 12 is a right side view of the locker with folding seat back of FIG. 9.
FIG. 13 is a left side view of the locker with folding seat back of FIG. 9.
FIG. 14 is a top view of the locker with folding seat back of FIG. 9.
FIG. 15 is a bottom view of the locker with folding seat back of FIG. 9; and,
FIG. 16 is a perspective view of the locker with folding seat back of FIG. 9 shown with the seat back folded out according to the present application.
The evenly-spaced broken lines in all views are for the purpose of illustrating environmental structure, and form no part of the claimed design.

(56) **References Cited**

U.S. PATENT DOCUMENTS

2,429,050 A * 10/1947 Decker B61D 33/00
297/188.03
4,153,313 A * 5/1979 Propst E06B 5/006
232/43.1
D330,639 S * 11/1992 Munro 297/17
D385,125 S * 10/1997 Zapf D6/642
D430,749 S * 9/2000 Natuzzi D6/334
D495,511 S * 9/2004 Dingess D6/368
D809,366 S * 2/2018 Gokcebay D8/331

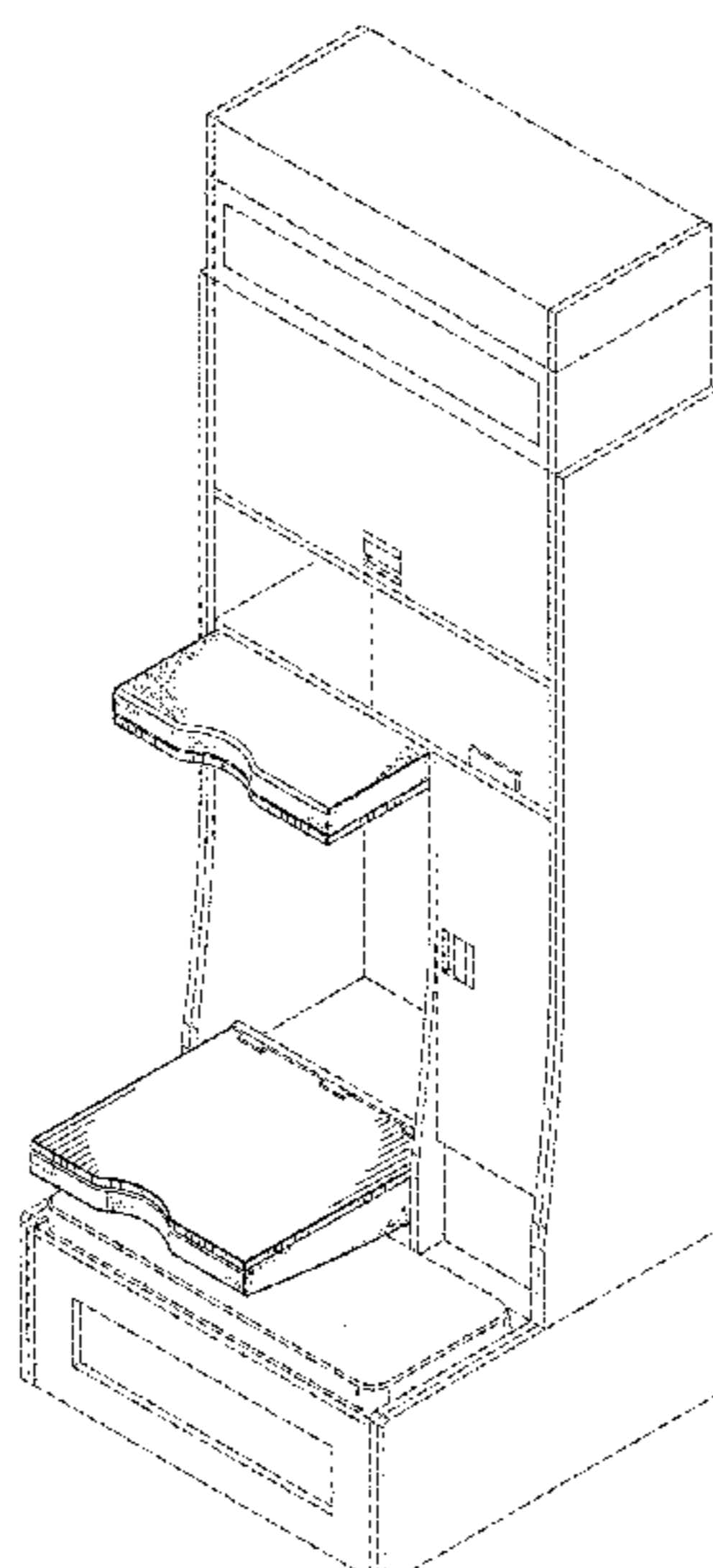
(Continued)

Primary Examiner — Kevin K Rudzinski
Assistant Examiner — Paul D Bohannon
(74) *Attorney, Agent, or Firm* — James E. Walton

(57) **CLAIM**

The ornamental design for a locker with folding seat back, as shown and described.

1 Claim, 13 Drawing Sheets



(56)

References Cited

U.S. PATENT DOCUMENTS

2010/0148552	A1 *	6/2010	Bredl	B64D 25/10 297/228.13
2016/0128490	A1 *	5/2016	Cheng	A47C 27/10 5/655.3

* cited by examiner

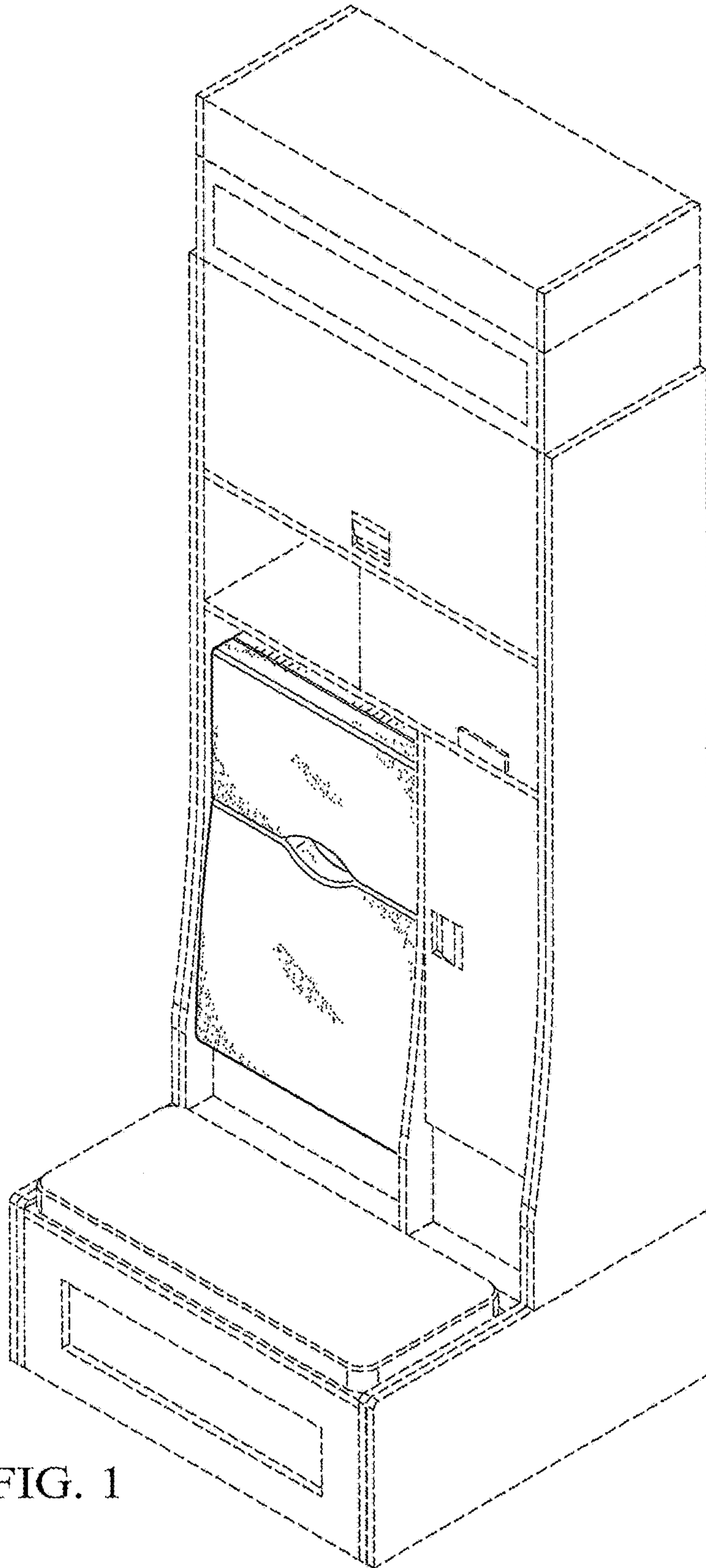


FIG. 1

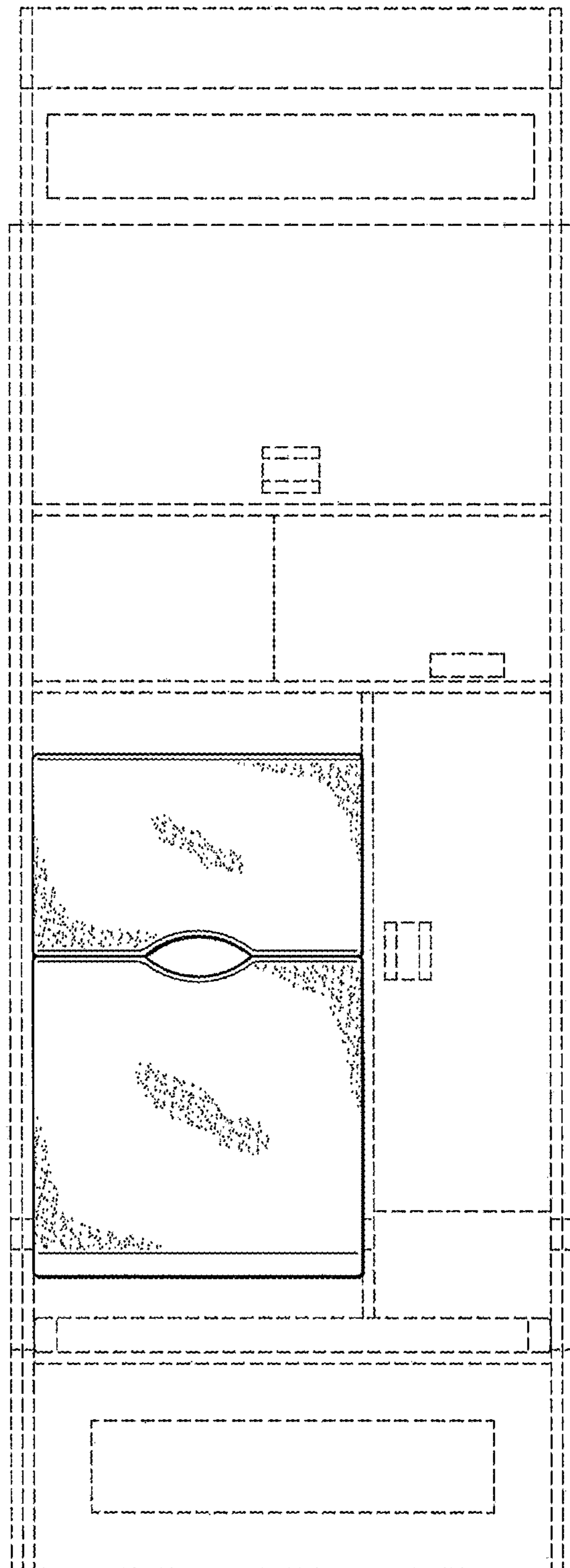


FIG. 2

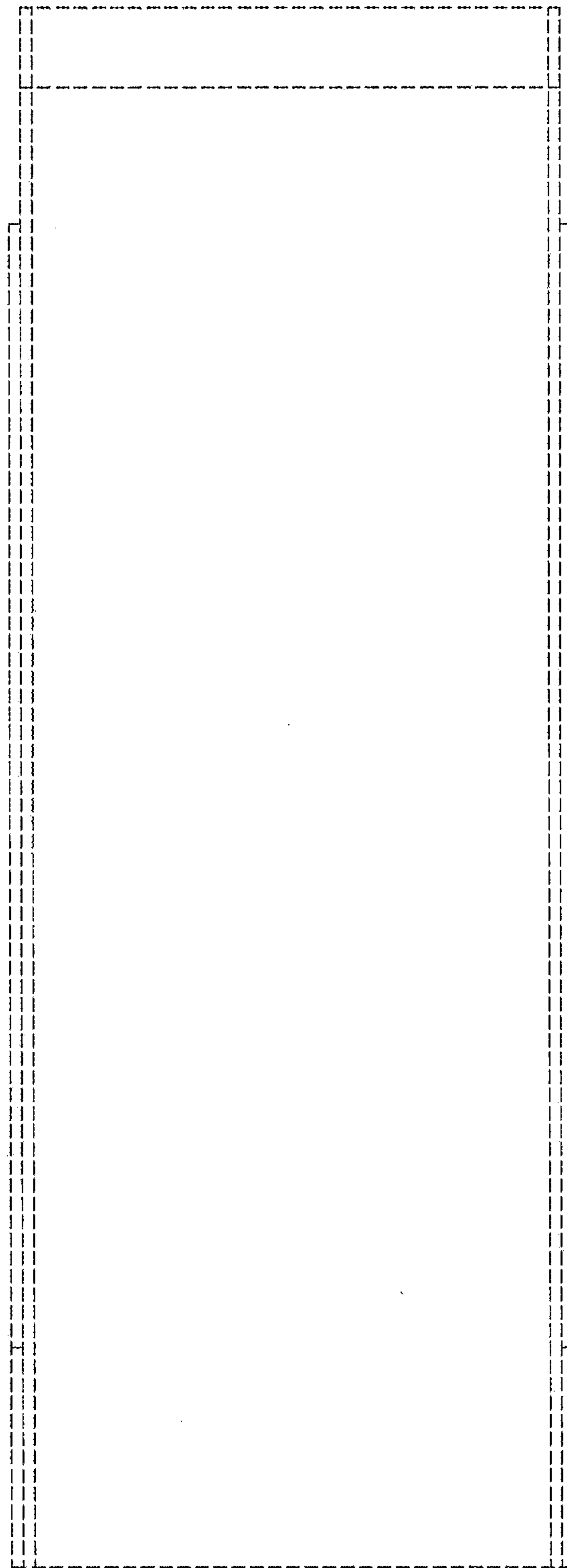


FIG. 3

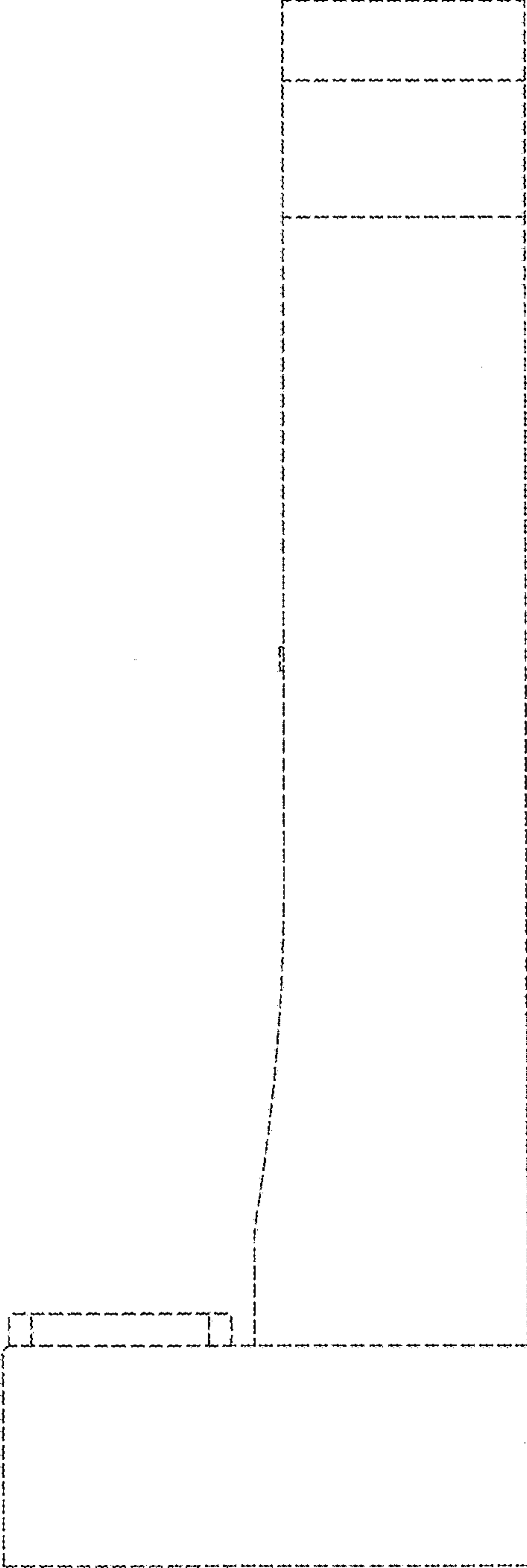


FIG. 4

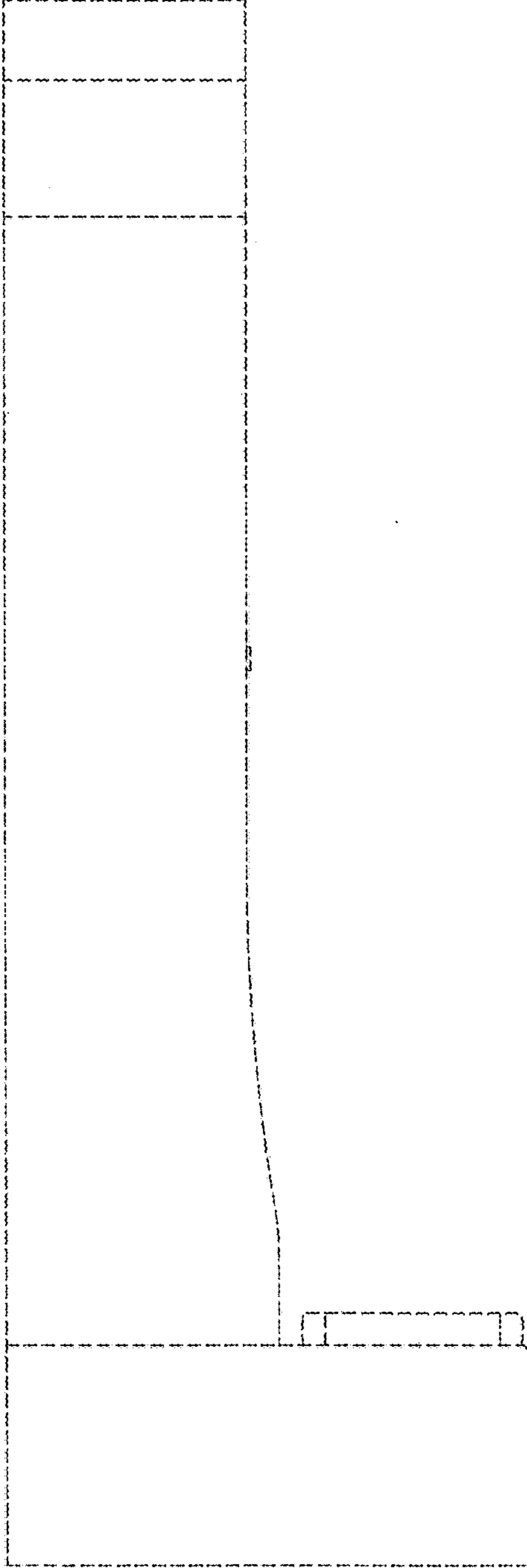


FIG. 5

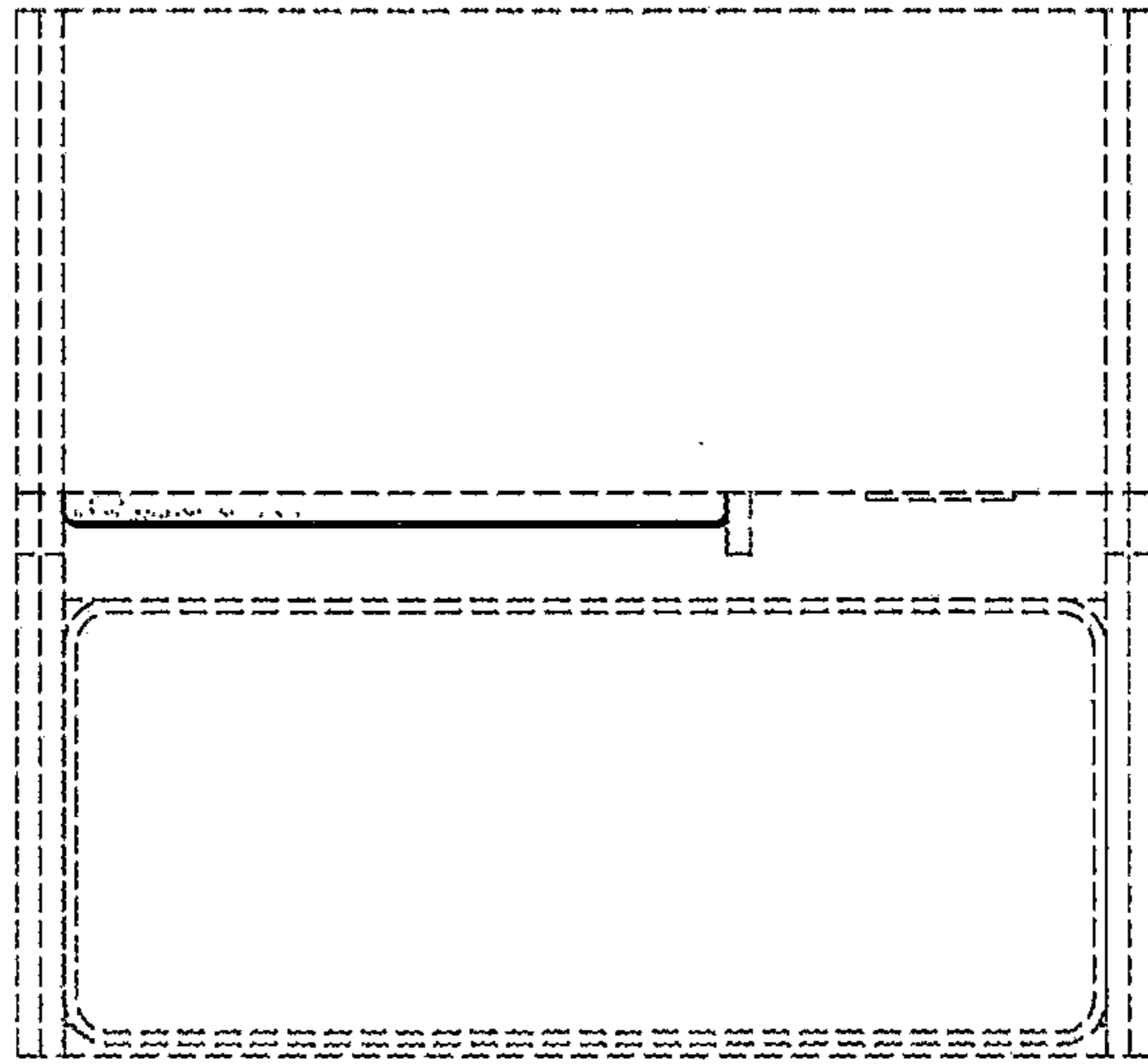


FIG. 6

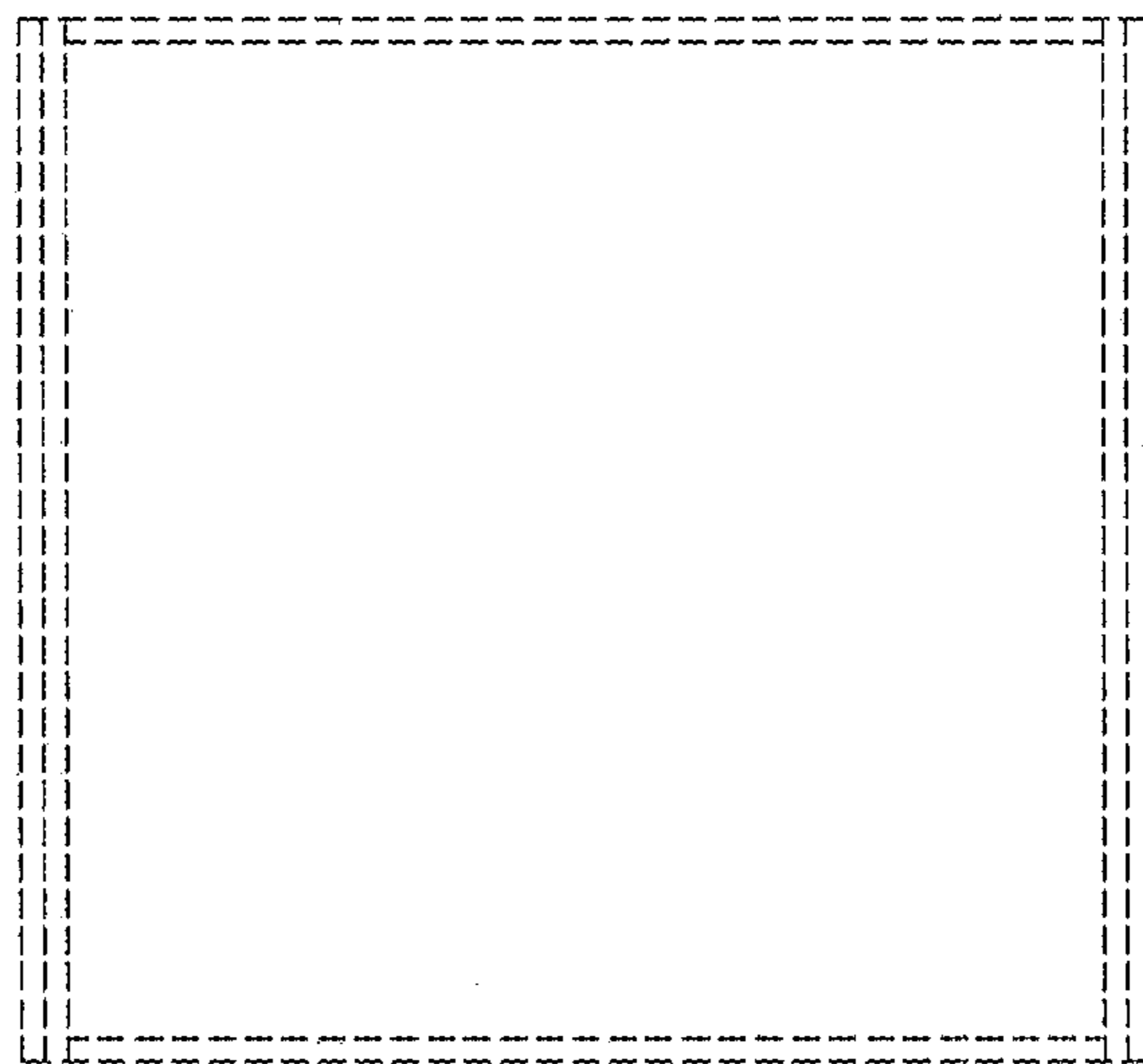


FIG. 7

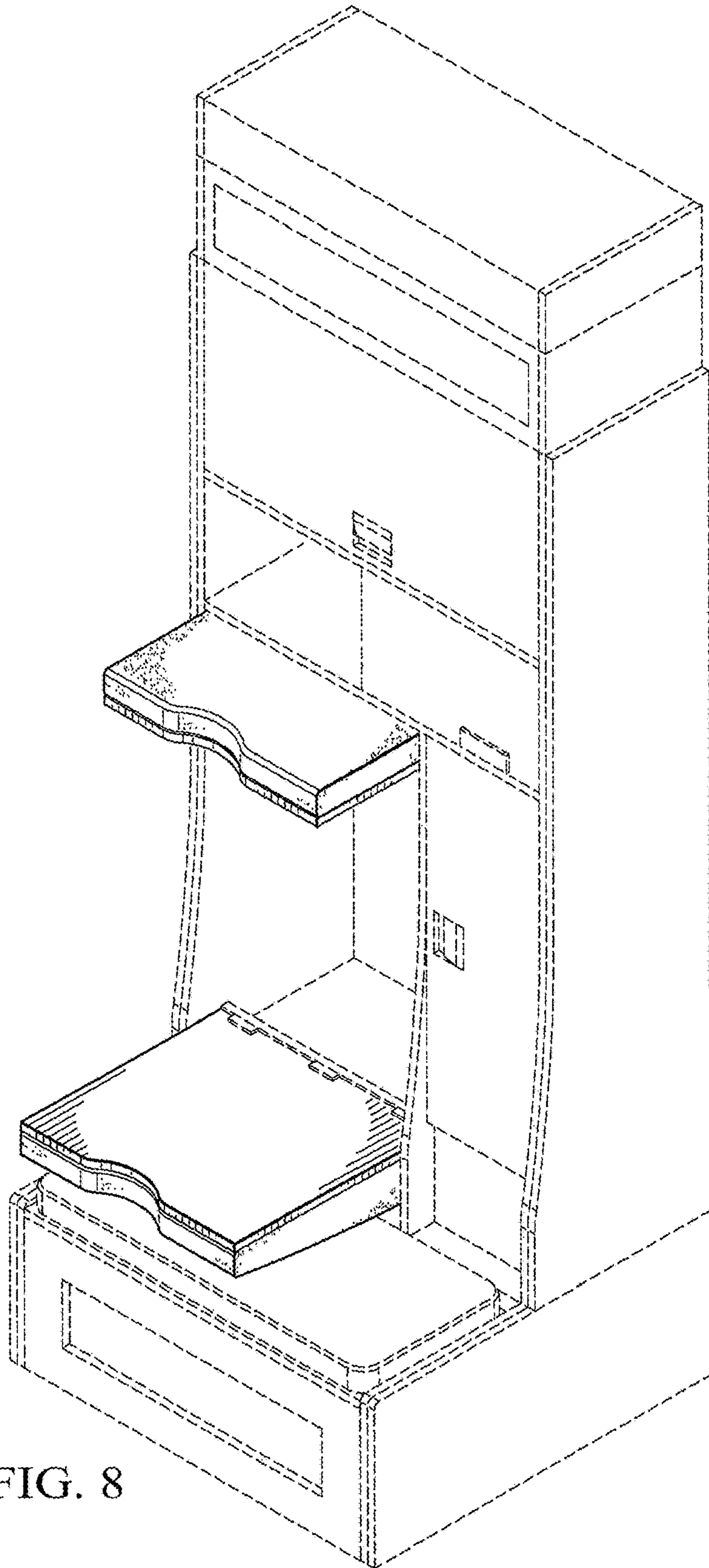


FIG. 8

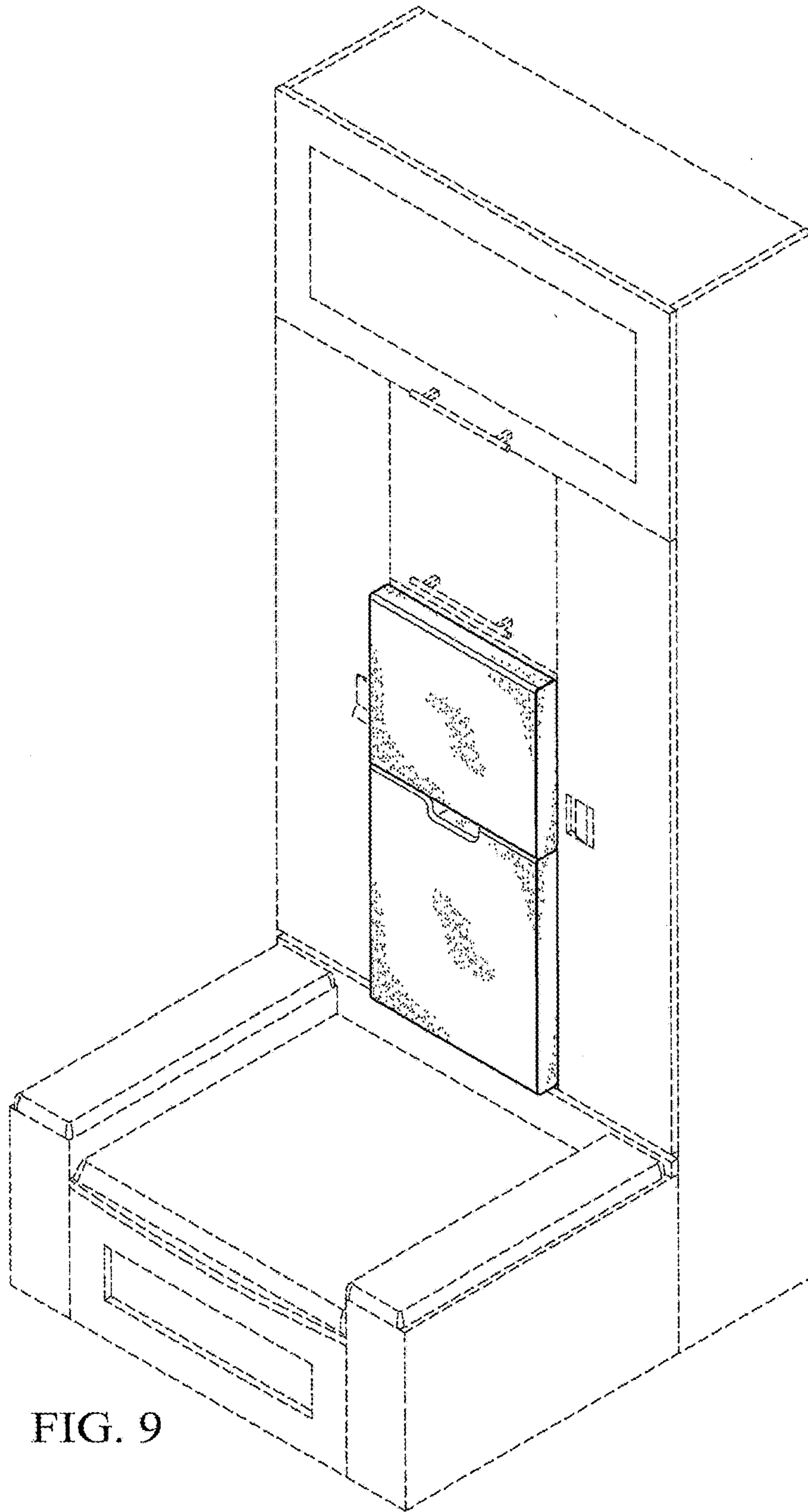


FIG. 9

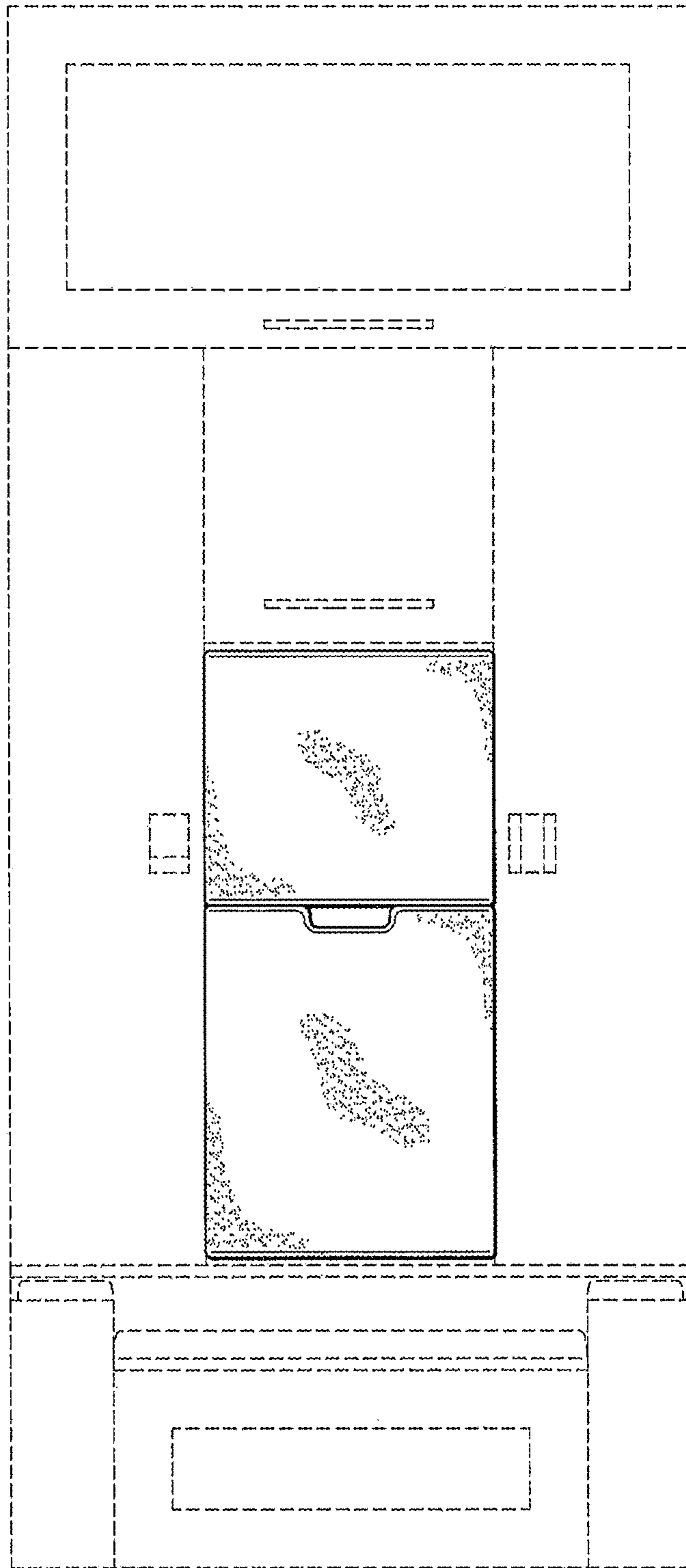


FIG. 10

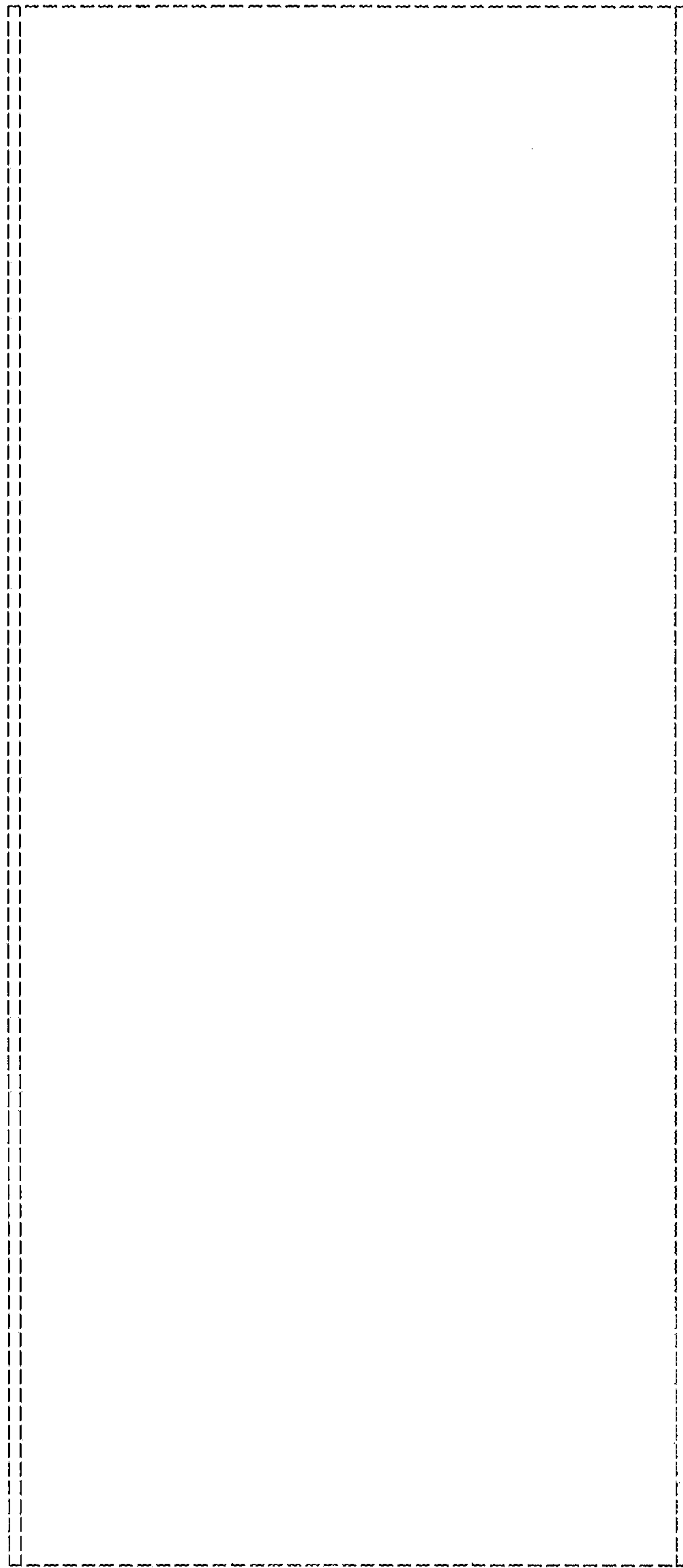


FIG. 11

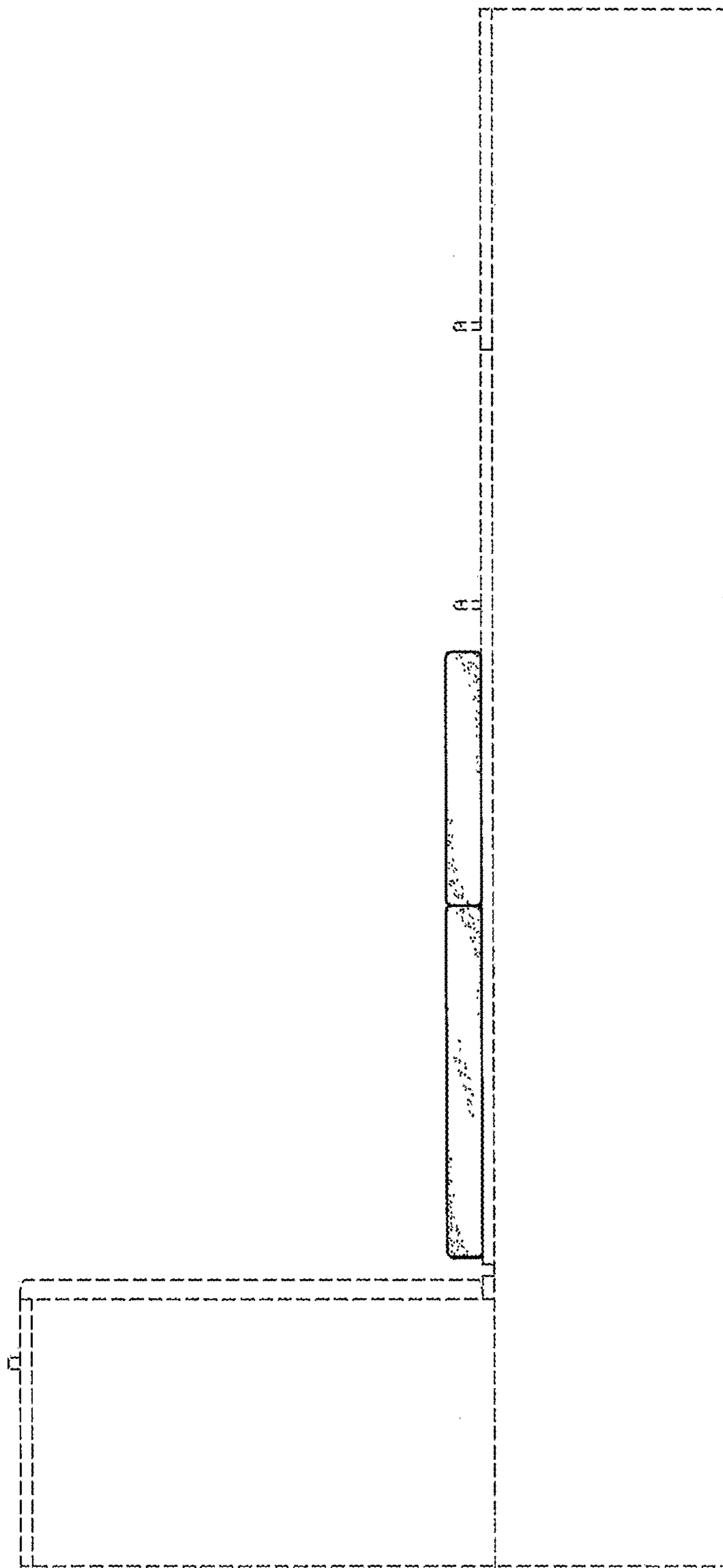


FIG. 12

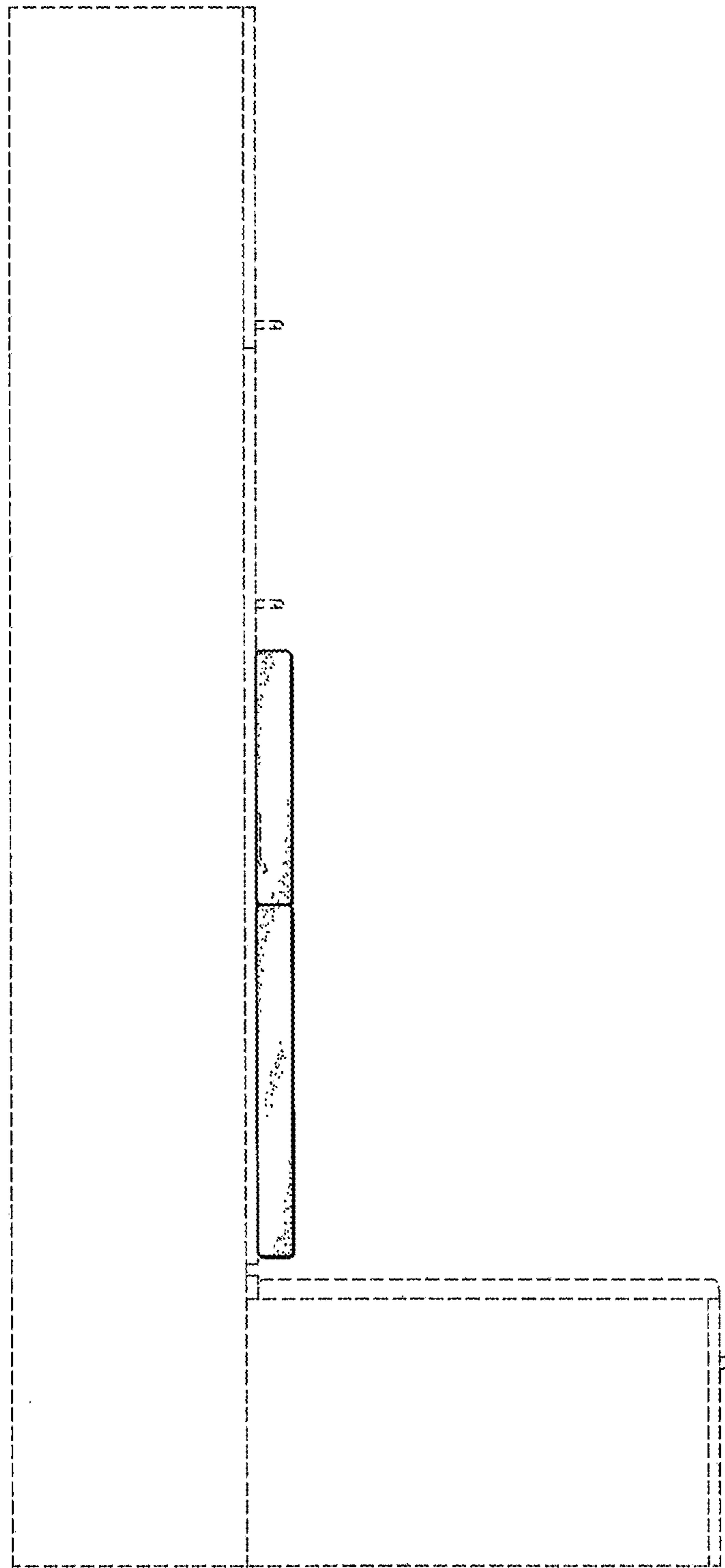


FIG. 13

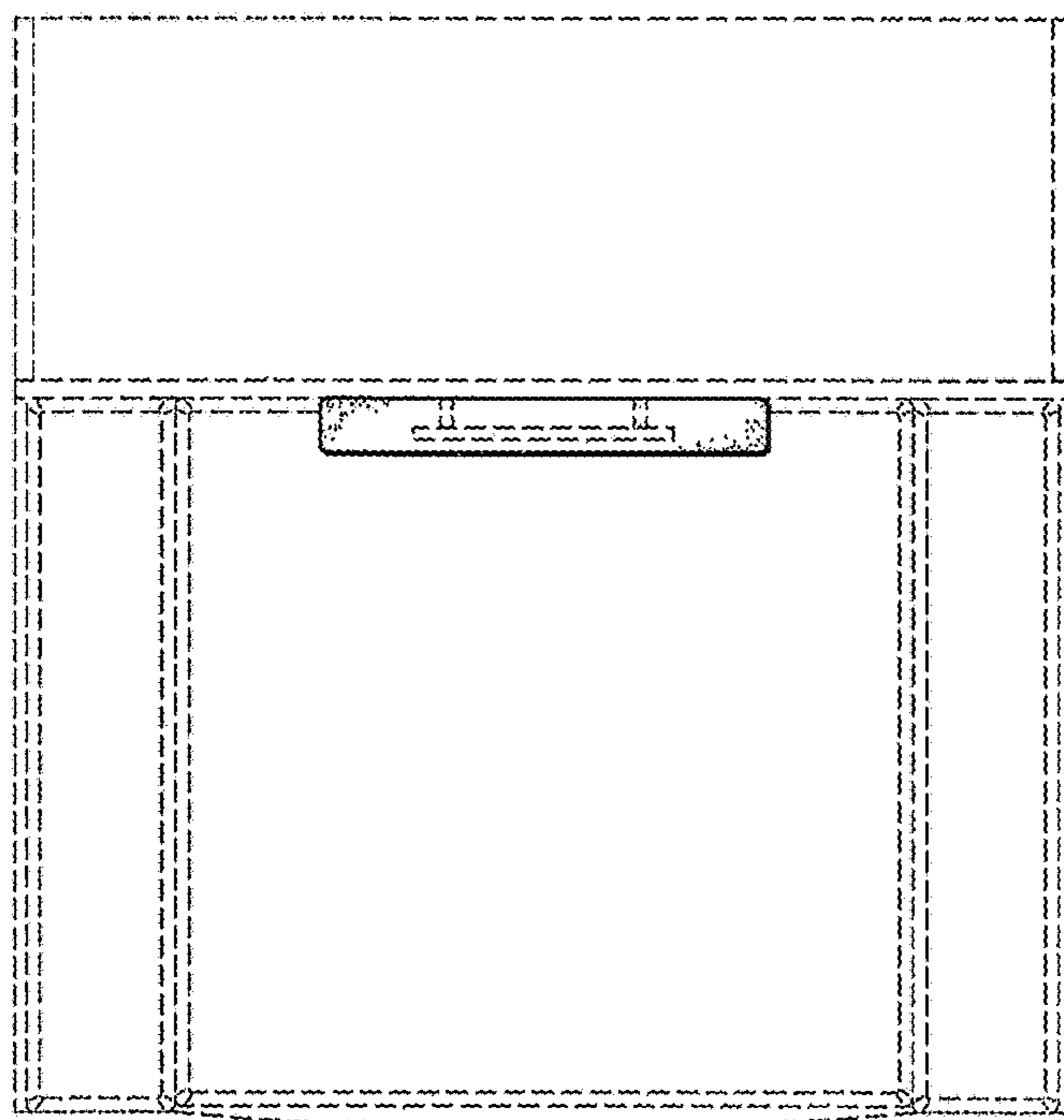


FIG. 14

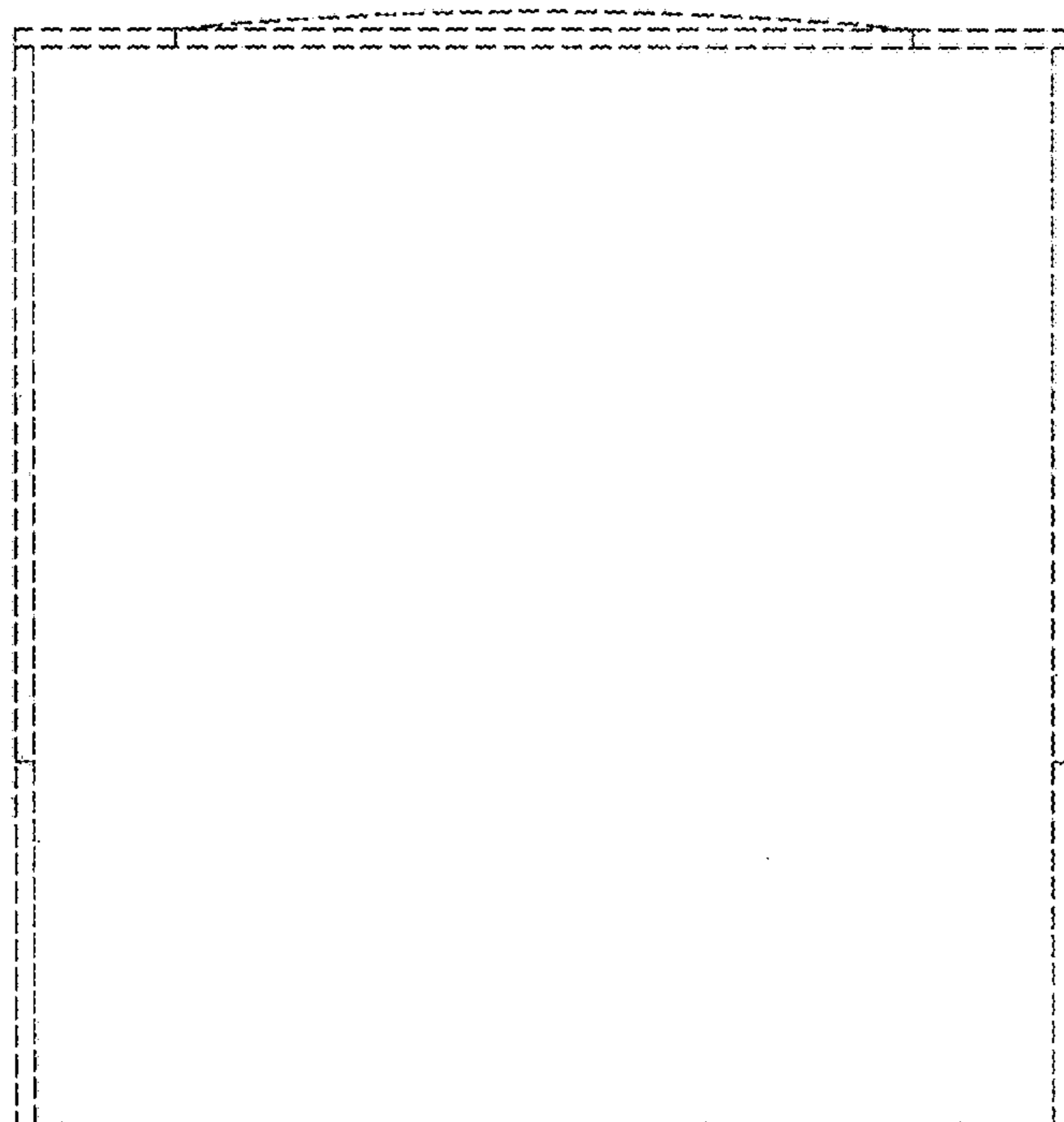


FIG. 15

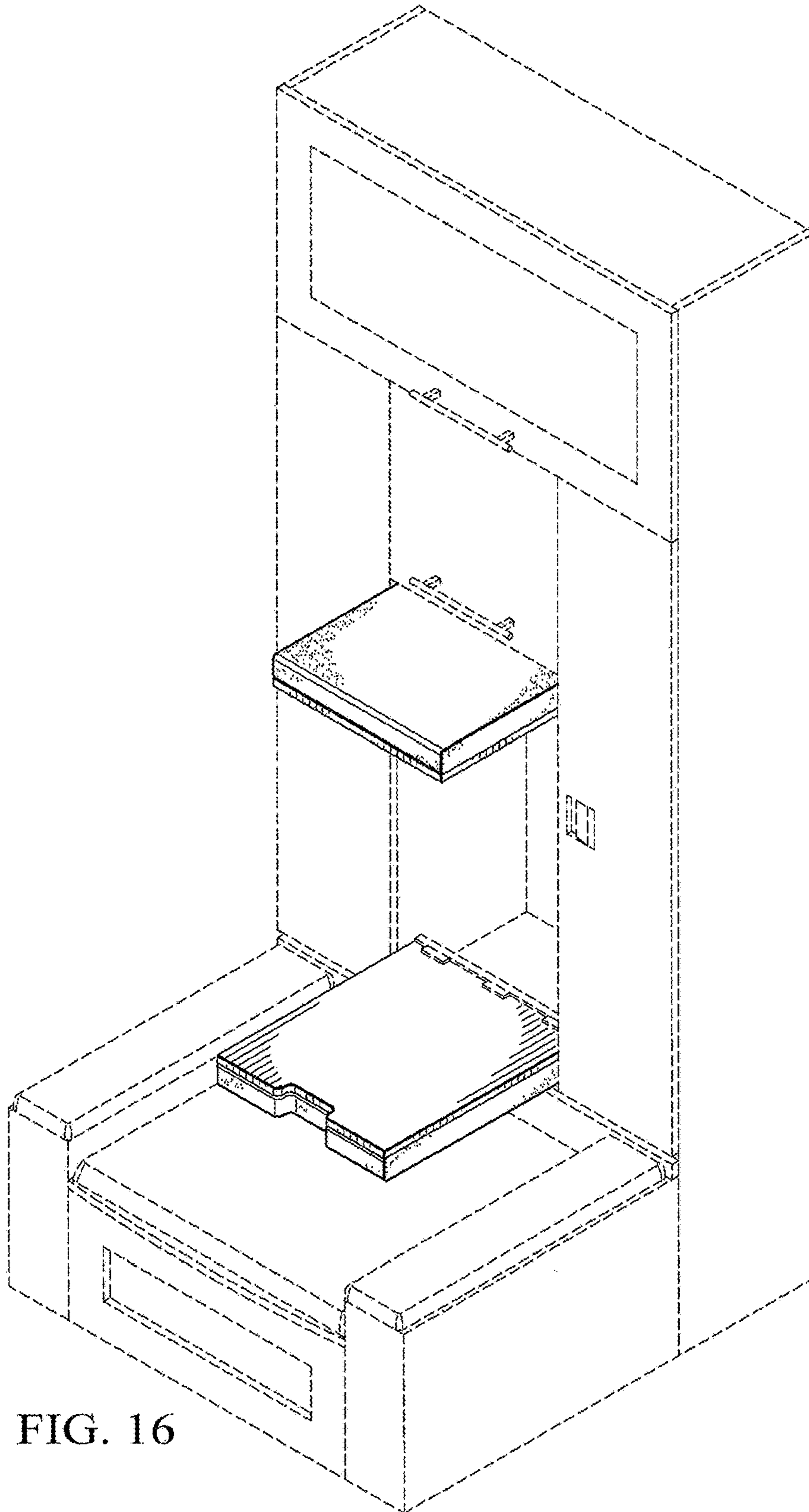


FIG. 16