



US00D826600S

(12) **United States Design Patent**
Yamamoto

(10) **Patent No.:** **US D826,600 S**
(45) **Date of Patent:** **** Aug. 28, 2018**

- (54) **DESK**
- (71) Applicant: **OKAMURA CORPORATION**,
Yokohama-shi, Kanagawa (JP)
- (72) Inventor: **Takayuki Yamamoto**, Yokohama (JP)
- (73) Assignee: **Okamura Corporation**, Yokohama-shi,
Kanagawa (JP)
- (**) Term: **15 Years**
- (21) Appl. No.: **29/586,512**
- (22) Filed: **Dec. 5, 2016**
- (30) **Foreign Application Priority Data**

Jun. 7, 2016 (JP) 2016-012101

- (51) **LOC (11) Cl.** **06-03**
- (52) **U.S. Cl.**
USPC **D6/656.16**

- (58) **Field of Classification Search**
USPC D6/641, 642, 648, 648.1, 648.2, 648.3,
D6/648.4, 649, 653, 655, 655.11, 655.13,
D6/656, 656.15, 699, 708, 708.16,
D6/708.17, 709, 709.2, 656.16
CPC A47B 7/00; A47B 13/08; A47B 13/10;
A47B 21/00; A47B 2009/006; A47B
11/00; A47B 2200/002; A47B 2200/0051;
A47B 2200/0052; A47B 2200/0053;
A47B 2200/0054; A47B 2200/0055;
A47B 21/02
See application file for complete search history.

- (56) **References Cited**
U.S. PATENT DOCUMENTS

D171,182 S * 12/1953 Bargaen D6/650
D228,431 S * 9/1973 Sundberg D6/656.16
4,444,124 A * 4/1984 Burr A47B 3/0918
108/131

D313,327 S * 1/1991 Prevedello D6/691.5
D314,299 S * 2/1991 Diffrient D6/709
D352,845 S * 11/1994 Hellwig D6/656.16
5,601,037 A * 2/1997 Meyer A47B 9/04
108/147
D379,411 S * 5/1997 Funk D6/709
D380,632 S * 7/1997 Schacht D6/709
D399,079 S * 10/1998 Hylen D6/709
D412,256 S * 7/1999 Gutgsell D6/709
5,957,062 A * 9/1999 Cox A47B 3/0815
108/133
6,119,605 A * 9/2000 Agee A47B 9/02
108/147
D512,587 S * 12/2005 Frenkler D6/691.5
(Continued)

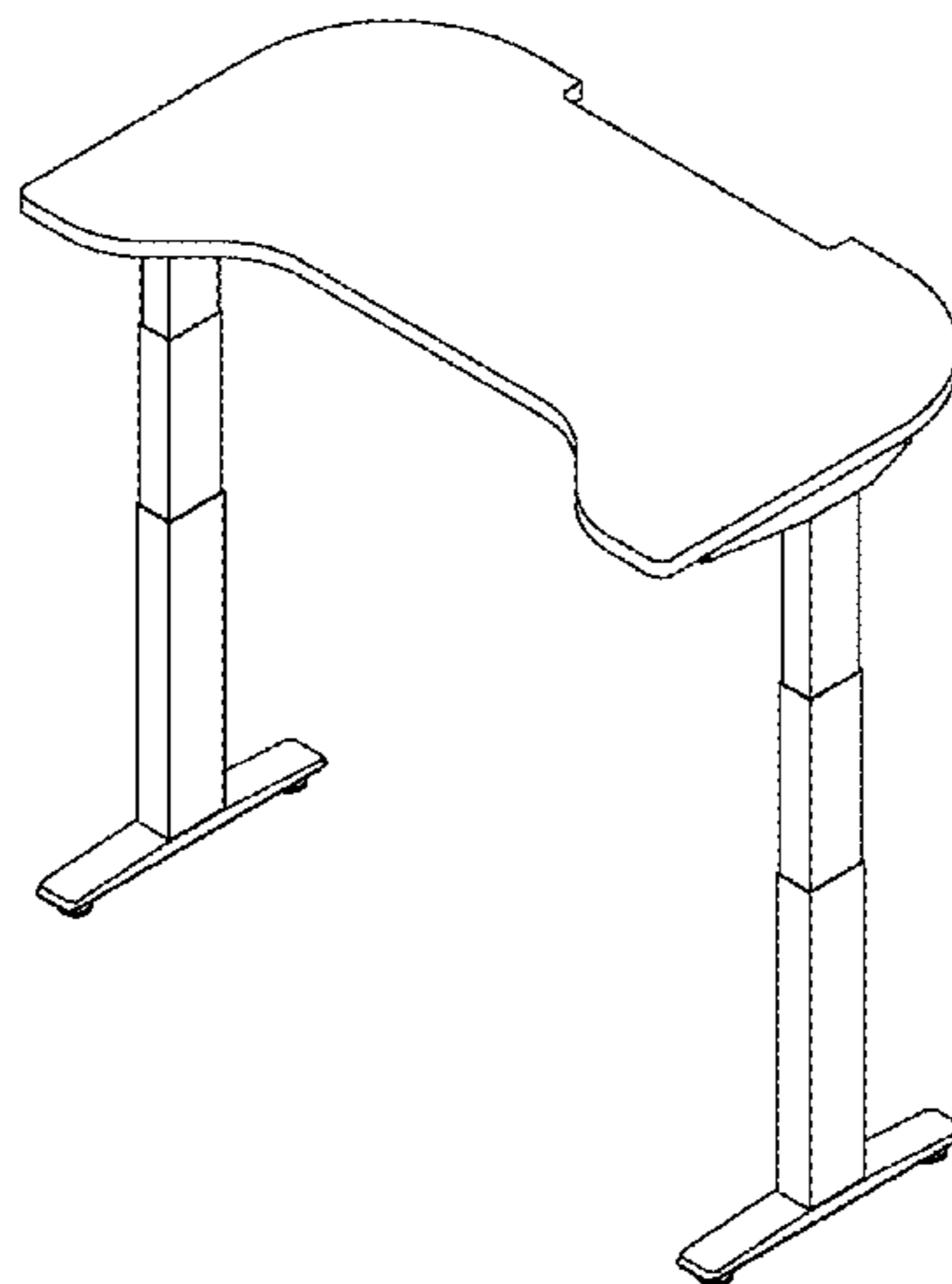
Primary Examiner — Mary Ann Calabrese
Assistant Examiner — Sloan Rozin
(74) *Attorney, Agent, or Firm* — Sughrue Mion, PLLC

- (57) **CLAIM**
The ornamental design for a desk, as shown and described.

DESCRIPTION

FIG. 1 is a perspective view from the front and right side of a desk.
FIG. 2 is a perspective view from the front and left side thereof.
FIG. 3 is a front elevation view thereof.
FIG. 4 is a rear elevation view thereof.
FIG. 5 is a right side elevation view thereof. A left side elevation view is a mirror image of the right side elevation view.
FIG. 6 is a top plan view thereof.
FIG. 7 is a bottom plan view thereof.
FIG. 8 is a cross-sectional view taken along the line 8-8 in FIG. 3.
FIG. 9 is a cross-sectional view taken along the line 9-9 in FIG. 3, which omits the internal structure; and,
FIG. 10 is a perspective view of the desk in an alternate lower position.

1 Claim, 10 Drawing Sheets



(56)

References Cited

U.S. PATENT DOCUMENTS

D578,324 S * 10/2008 Glass D6/708
 D612,169 S * 3/2010 Chang D6/656.13
 RE42,666 E * 9/2011 Saotome D6/656.17
 D644,855 S * 9/2011 Saito D6/656.17
 D675,041 S * 1/2013 Mecherle D6/691
 D675,042 S * 1/2013 Mecherle D6/691
 D710,133 S * 8/2014 Scharer D6/656.17
 D719,767 S * 12/2014 Scharer D6/656.17
 D721,244 S * 1/2015 Mueller D6/709
 D732,317 S * 6/2015 Chang D6/656.17
 9,232,855 B2 * 1/2016 Ergun A47B 9/02
 9,332,836 B1 * 5/2016 Zebarjad A47B 9/02
 D794,358 S * 8/2017 Yamamoto D6/656
 D795,619 S * 8/2017 Labrosse D6/709
 D795,620 S * 8/2017 Labrosse D6/709
 9,723,920 B1 * 8/2017 Wu A47B 21/02
 2008/0178779 A1 * 7/2008 Agee A47B 9/04
 108/147
 2012/0126072 A1 * 5/2012 Pettersson A47B 9/04
 248/157

2012/0304900 A1 * 12/2012 Henriott A47B 13/06
 108/91
 2013/0221171 A1 * 8/2013 Lorenzen A47B 9/20
 248/188.5
 2014/0096706 A1 * 4/2014 Labrosse A47B 21/02
 108/21
 2015/0285430 A1 * 10/2015 Wang A47B 9/04
 248/188.5
 2015/0320198 A1 * 11/2015 Zebarjad A47B 9/00
 108/147
 2016/0037907 A1 * 2/2016 Ergun A47B 9/12
 108/147
 2016/0081468 A1 * 3/2016 Molteni A47B 9/00
 108/147
 2016/0170402 A1 * 6/2016 Lindstrom A47B 9/00
 700/275
 2016/0260019 A1 * 9/2016 Riquelme Ruiz A47B 21/007
 2016/0353880 A1 * 12/2016 Sigal A47B 21/02
 2017/0055697 A1 * 3/2017 Kincaid F16M 11/046
 2017/0071332 A1 * 3/2017 Herring A47B 21/02
 2017/0156488 A1 * 6/2017 Ergun A47B 9/02
 2017/0251806 A1 * 9/2017 Newman A47B 21/02

* cited by examiner

FIG. 1

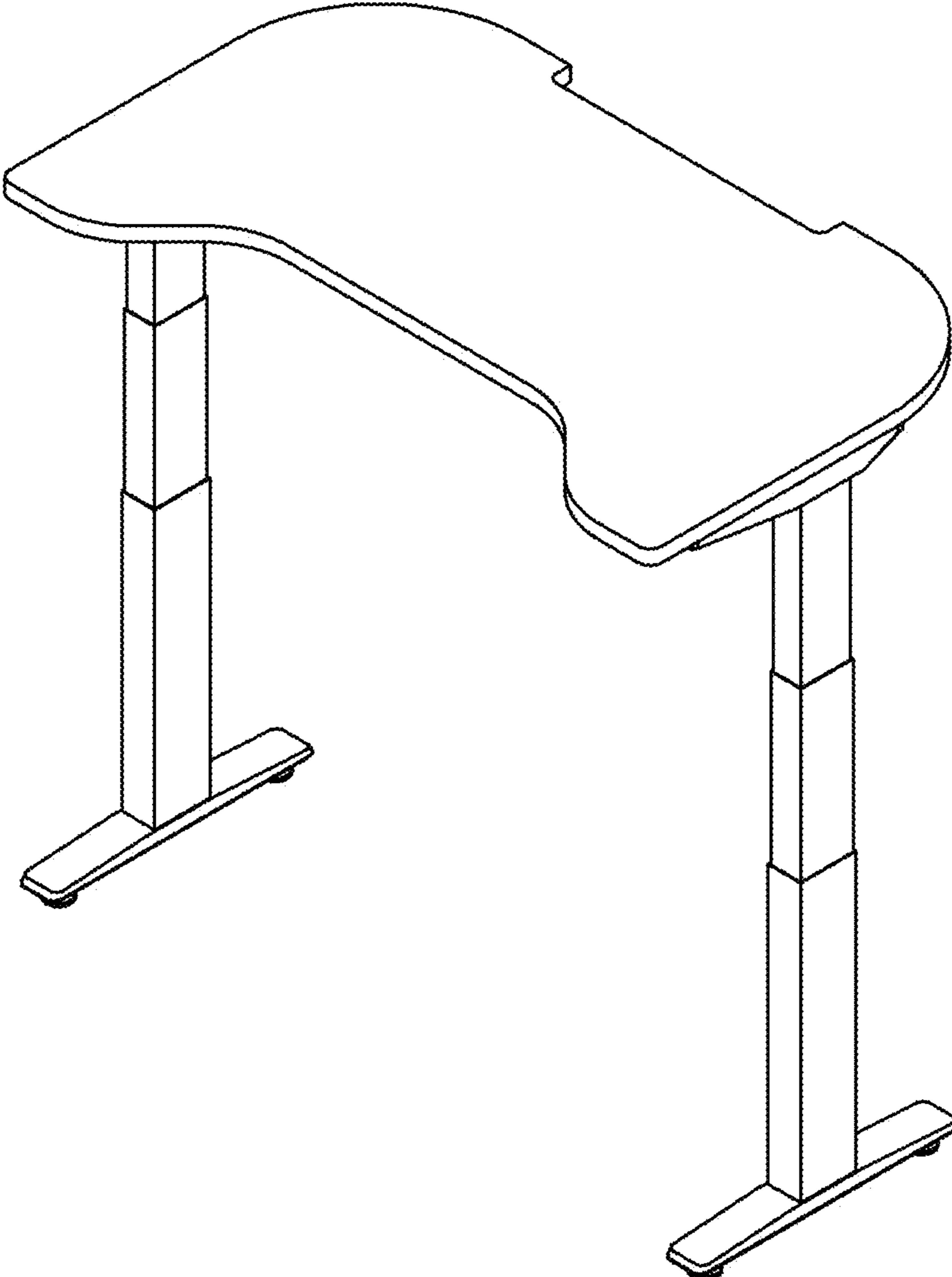


FIG. 2

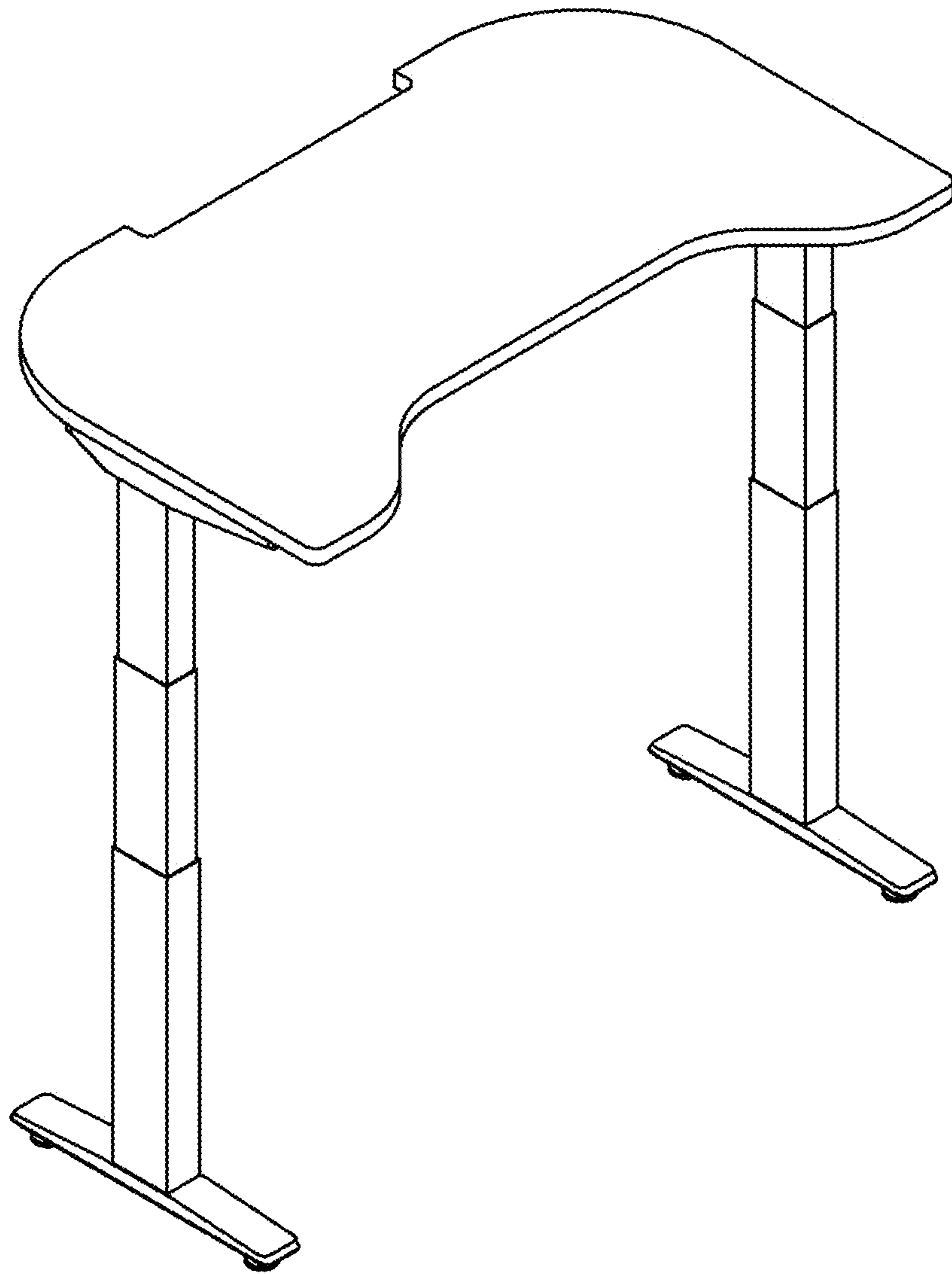


FIG. 3

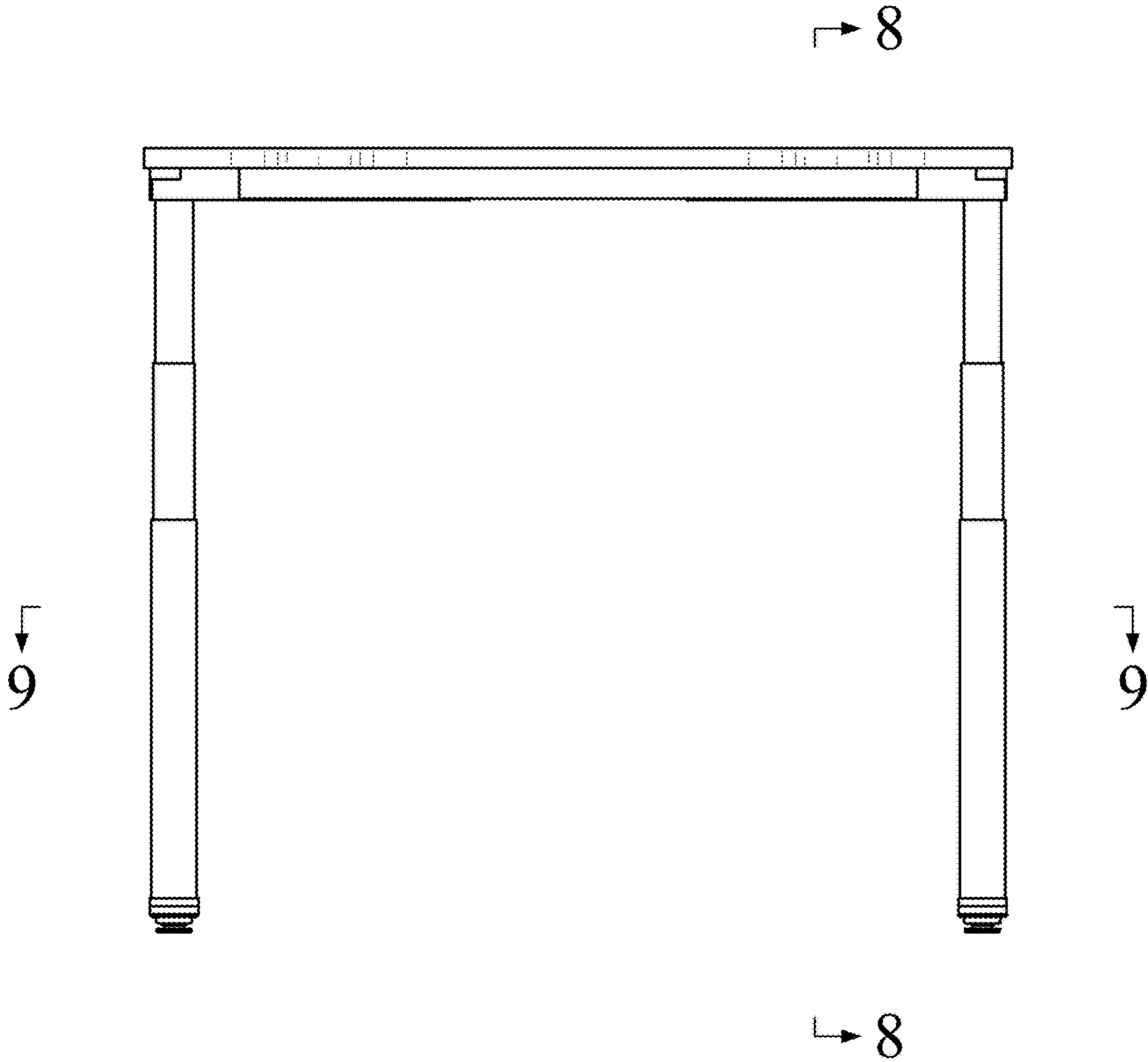


FIG. 4

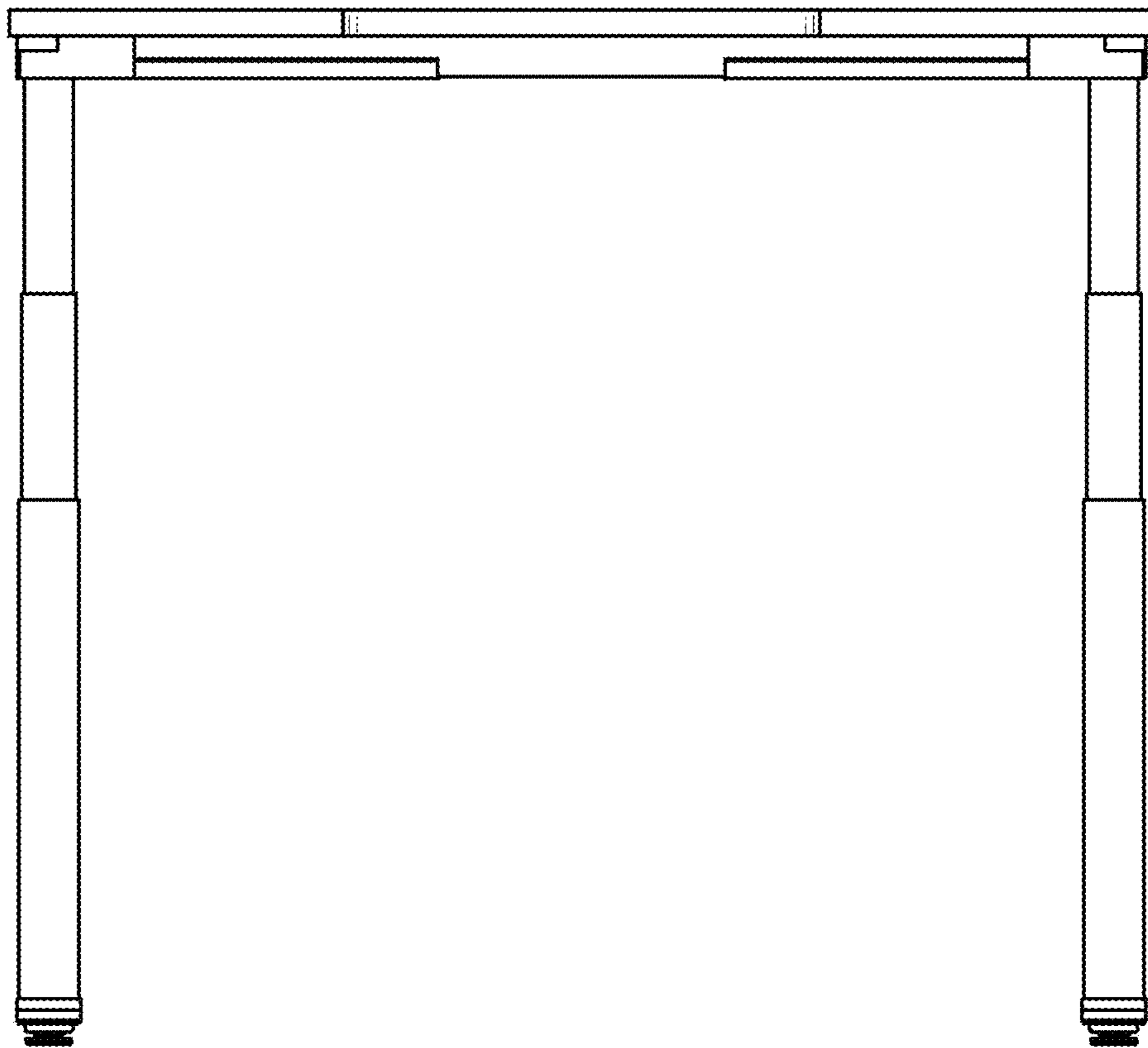


FIG. 5

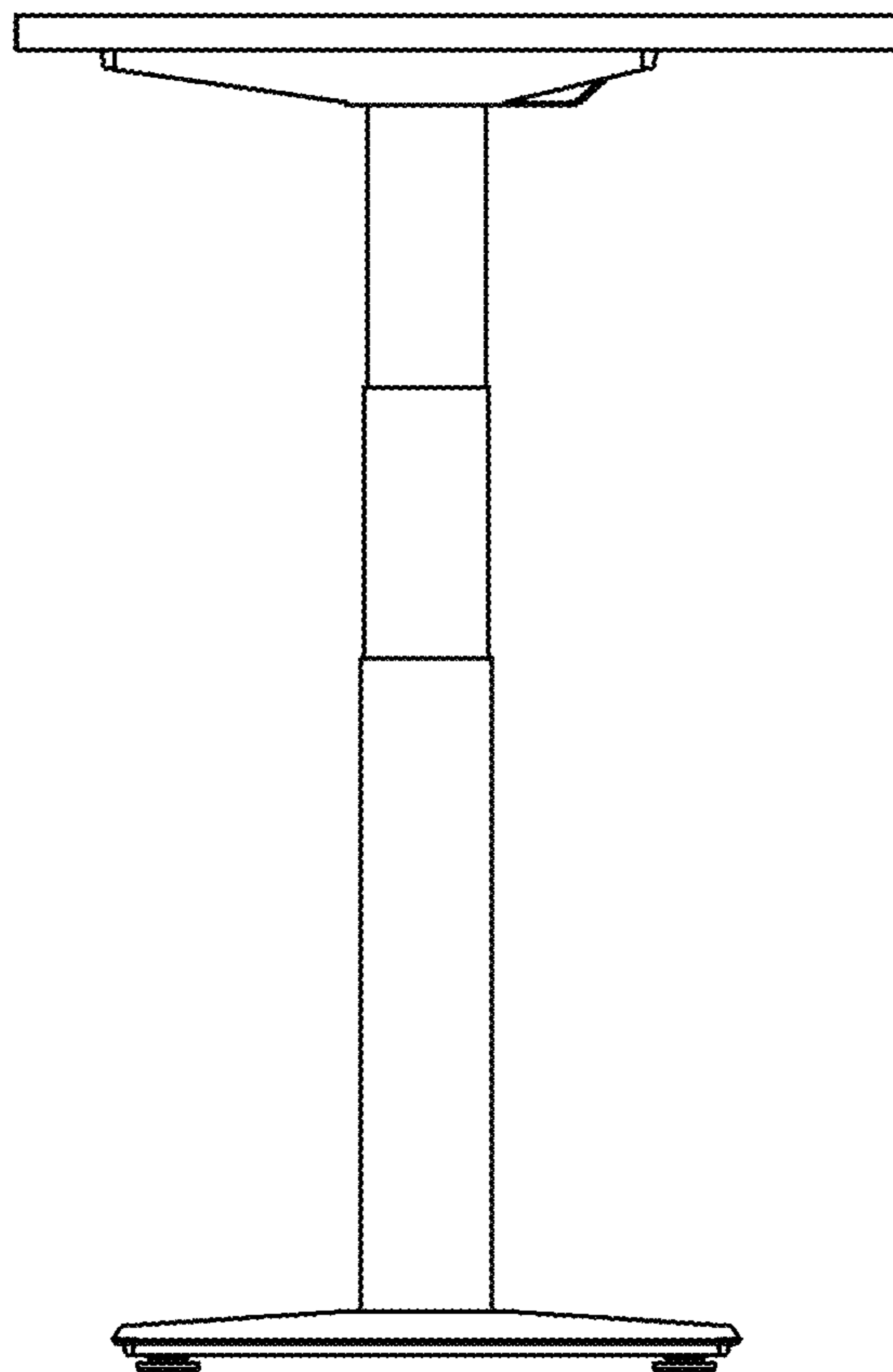


FIG. 6

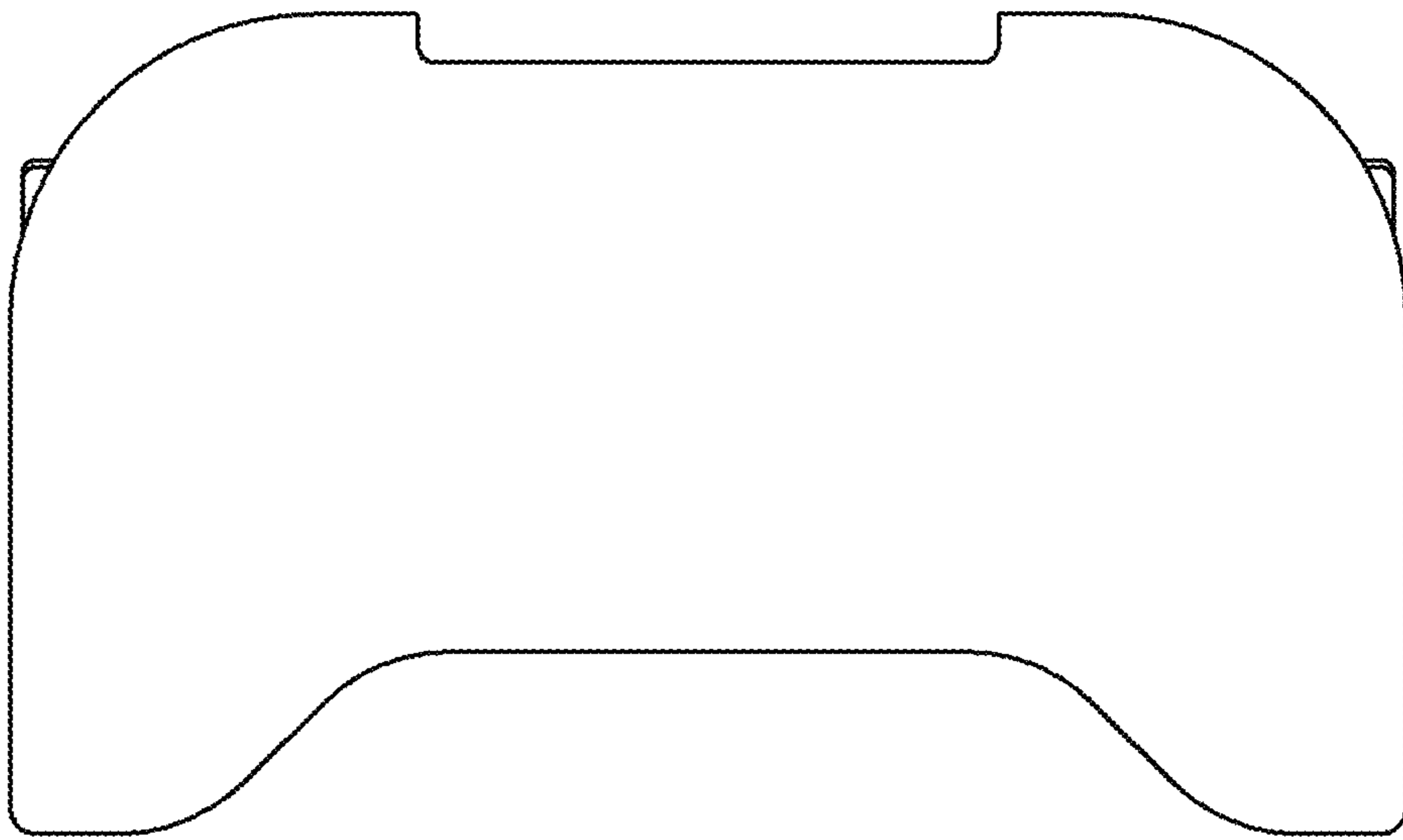


FIG. 7

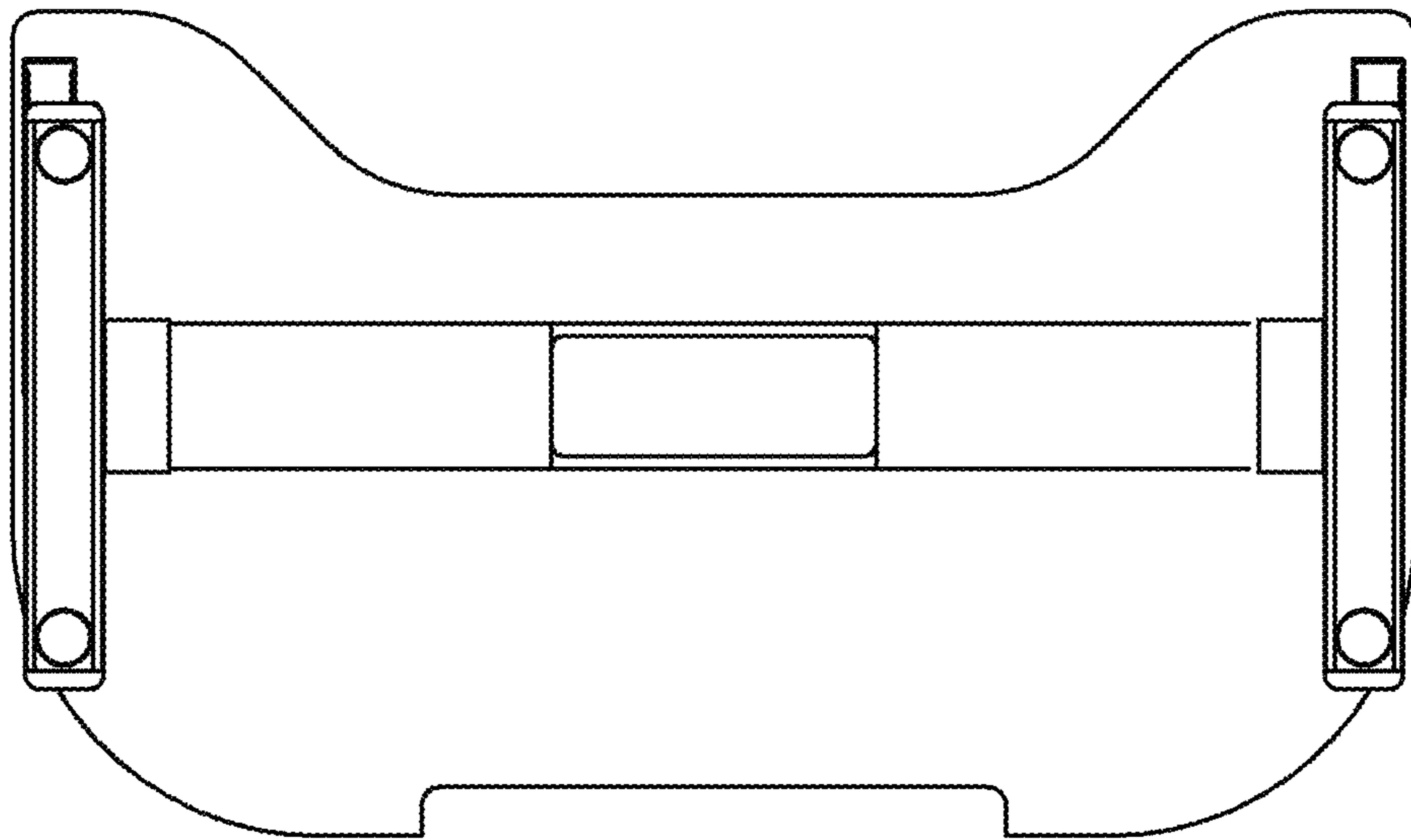


FIG. 8

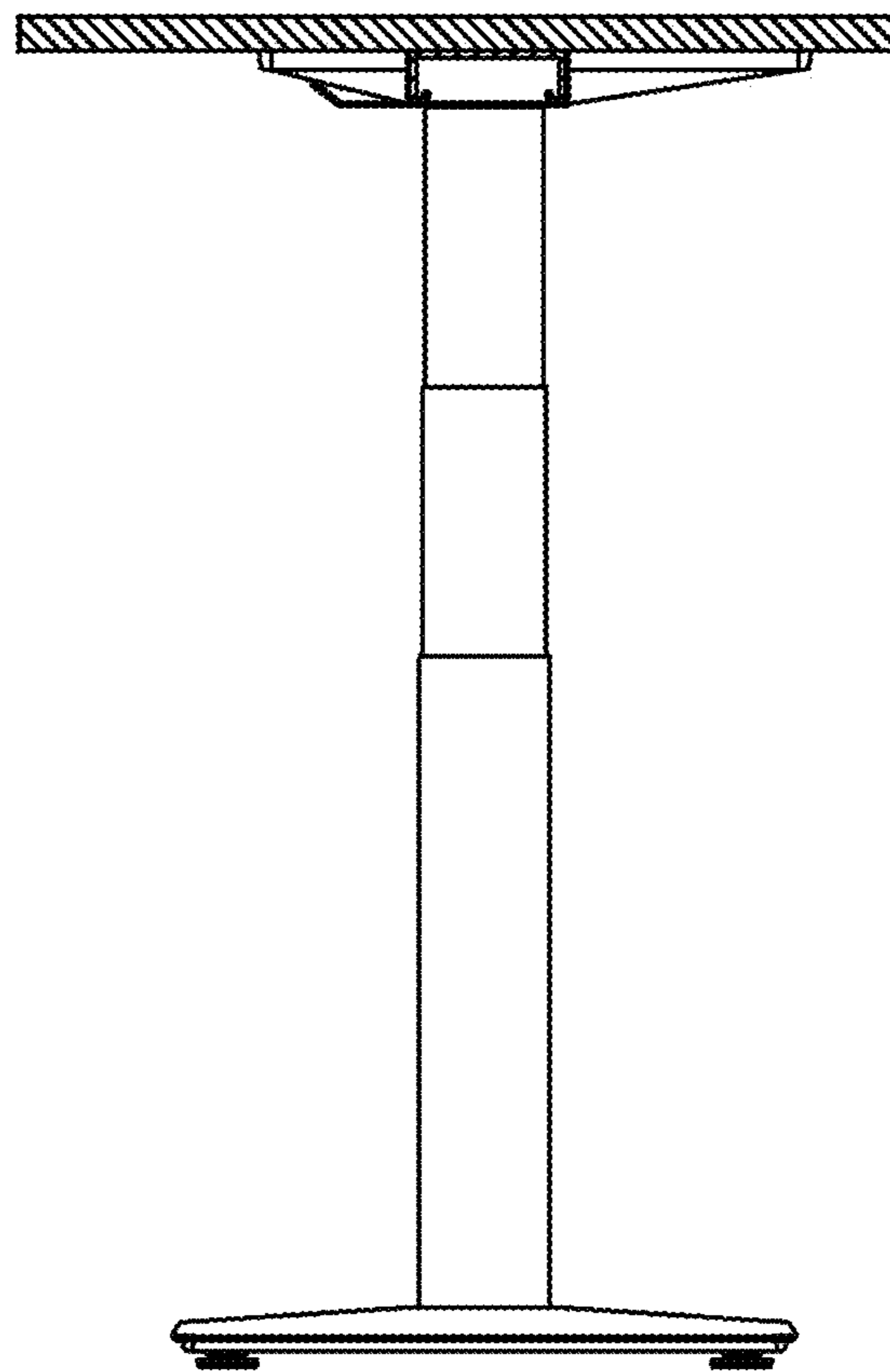


FIG. 9

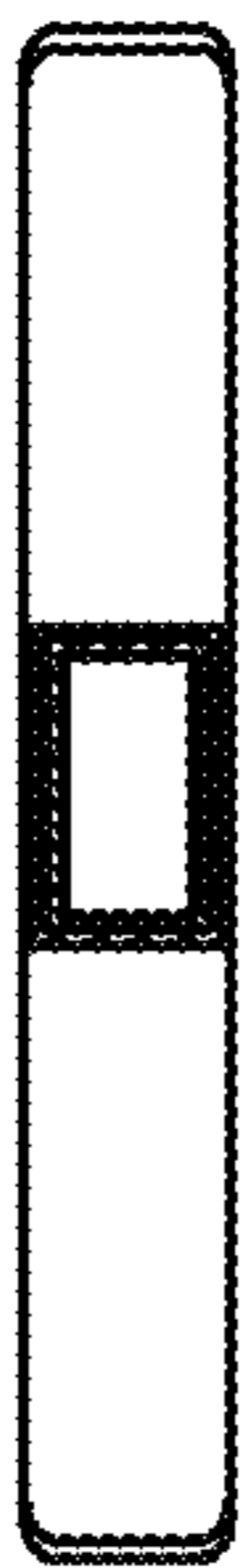


FIG. 10

