



US00D826599S

(12) **United States Design Patent** (10) **Patent No.:** **US D826,599 S**
Jahns (45) **Date of Patent:** **** Aug. 28, 2018**

(54) **DESK**
(71) Applicant: **Gecco Vision**, Los Angeles, CA (US)
(72) Inventor: **Henner Jahns**, Los Angeles, CA (US)
(73) Assignee: **Gecco Vision, Inc.**, Los Angeles, CA (US)
(**) Term: **15 Years**
(21) Appl. No.: **29/588,316**
(22) Filed: **Dec. 20, 2016**
(51) **LOC (11) Cl.** **06-03**
(52) **U.S. Cl.**
USPC **D6/654.1**; D6/643
(58) **Field of Classification Search**
USPC D6/641, 642, 648, 648.1, 648.2, 648.3,
D6/648.4, 649, 653, 655, 655.11, 655.13,
D6/656, 656.15, 699, 708, 708.16,
D6/708.17, 709, 709.2, 654, 654.1,
D6/656.16, 656.17
CPC A47B 7/00; A47B 13/08; A47B 13/10;
A47B 21/00; A47B 2009/006; A47B
11/00; A47B 2200/002
See application file for complete search history.

(56) **References Cited**
U.S. PATENT DOCUMENTS
D119,462 S * 3/1940 Rudman D6/663
D151,590 S * 11/1948 Bucker D6/688
D157,076 S * 1/1950 Nemes 108/50.01
D234,485 S * 3/1975 Isles D6/656.16
D252,820 S * 9/1979 Olson D24/185
D283,094 S * 3/1986 Strand D6/654

D286,832 S * 11/1986 Matthews D6/652.1
D303,464 S * 9/1989 Holl D6/654.1
4,870,630 A * 9/1989 Blake A47B 81/06
312/196
D315,261 S * 3/1991 Ng D34/20
D334,856 S * 4/1993 Sielaff D6/654
D372,817 S * 8/1996 Stevens D6/698
D427,804 S * 7/2000 Olson D6/653
D428,279 S * 7/2000 Olson D6/707.15
D496,185 S * 9/2004 Holbrook, Jr. D6/654.18
D502,028 S * 2/2005 Ashby D6/691.3
D544,255 S * 6/2007 Tracewell D6/656
D546,503 S * 7/2007 Kreiss D6/653
D631,675 S * 2/2011 Russler D6/642
D723,306 S * 3/2015 Kielwasser D6/645

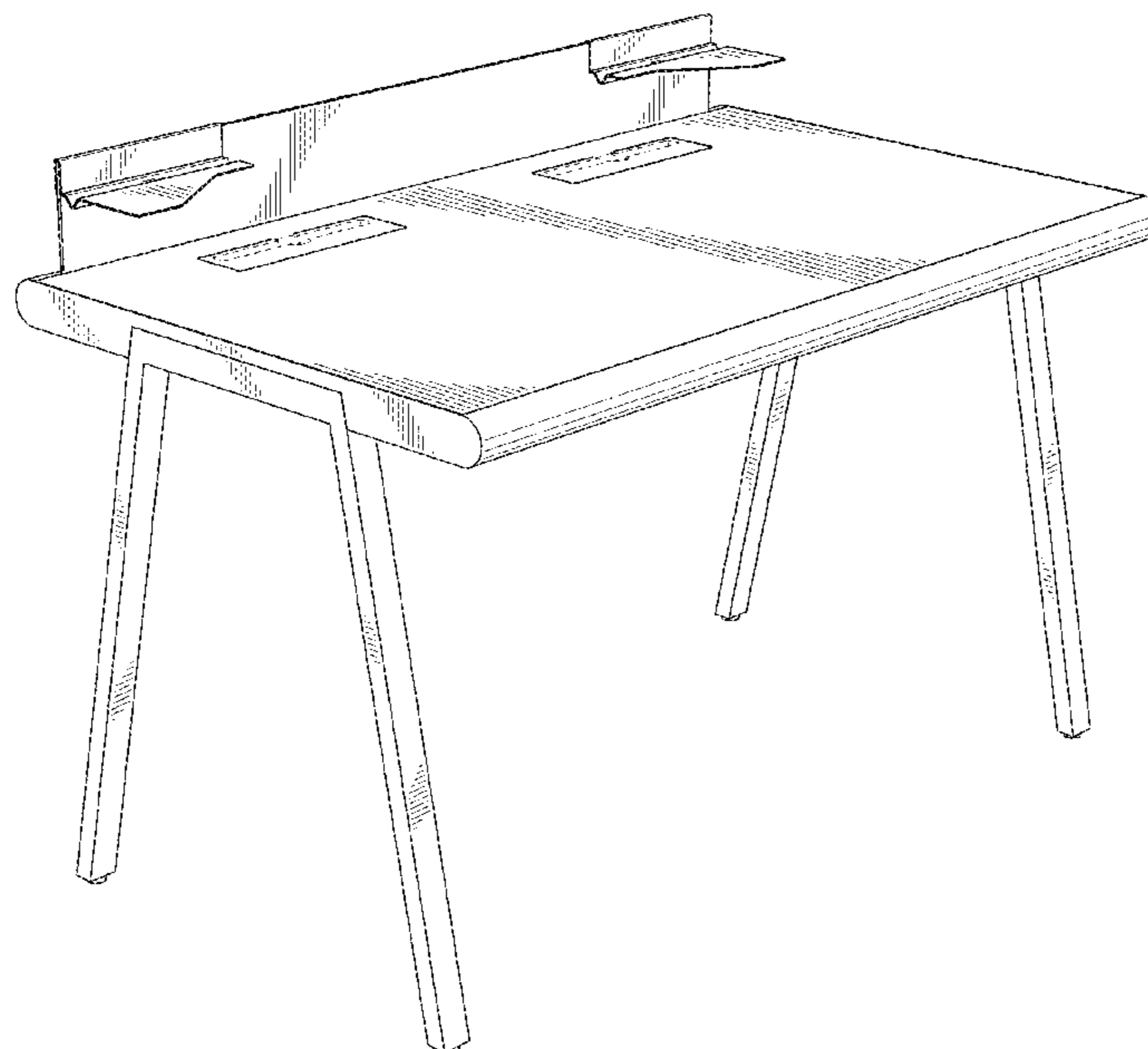
* cited by examiner

Primary Examiner — Mary Ann Calabrese
Assistant Examiner — Sloan Rozin
(74) *Attorney, Agent, or Firm* — Robert J. Lauson;
Lauson & Tarver LLP

(57) **CLAIM**
The ornamental design for the desk, as shown and described.

DESCRIPTION
FIG. 1 is a front elevational view of a desk showing my new design;
FIG. 2 is a rear elevational view thereof;
FIG. 3 is a top plan view thereof;
FIG. 4 is a right side elevational view thereof, the left side being a mirror image thereof; and,
FIG. 5 is a front left side perspective view thereof.
Portions of the drawings shown in broken lines are for illustrative purposes only and form no part of the claimed design.

1 Claim, 5 Drawing Sheets



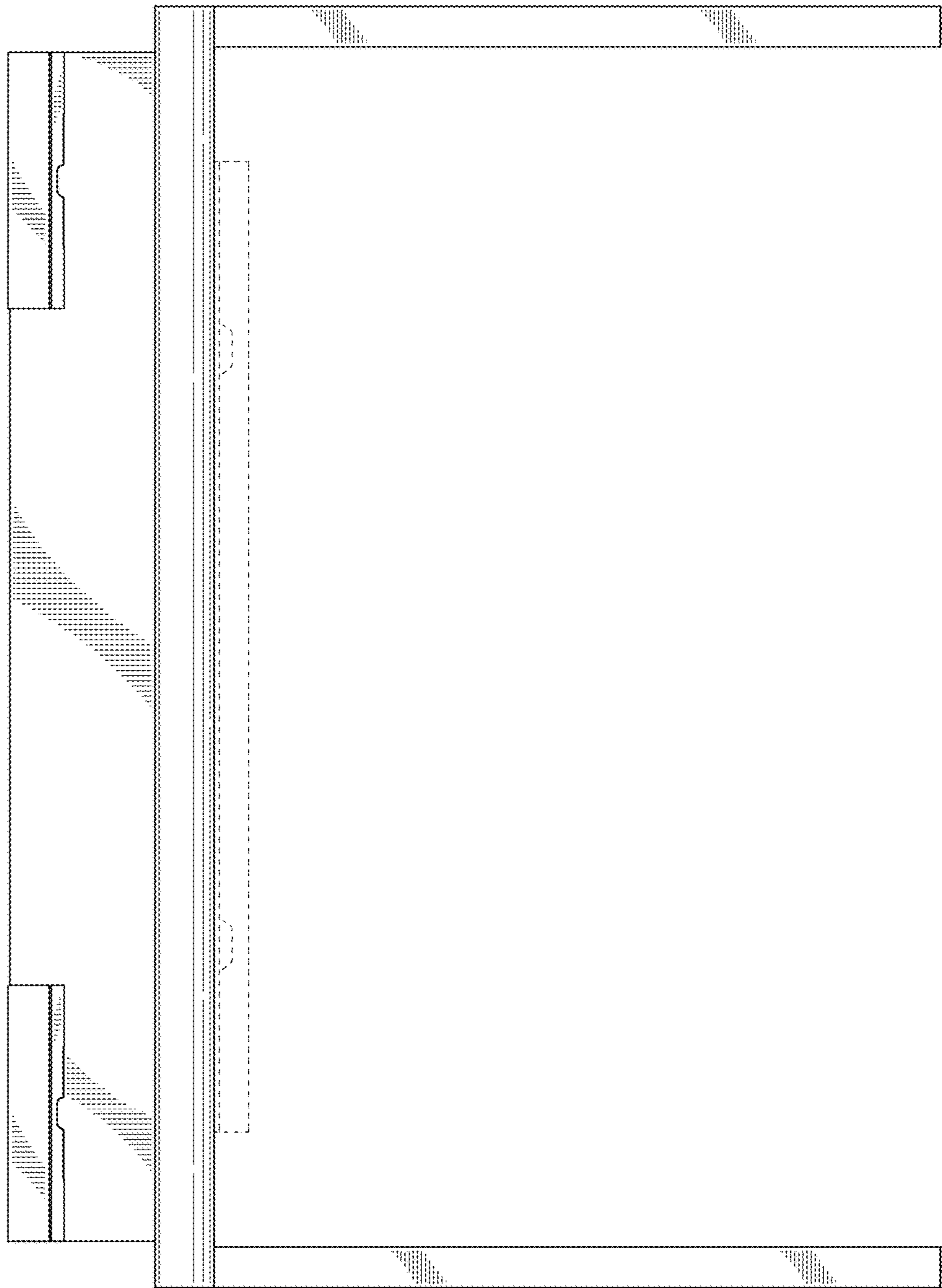


FIG. 1

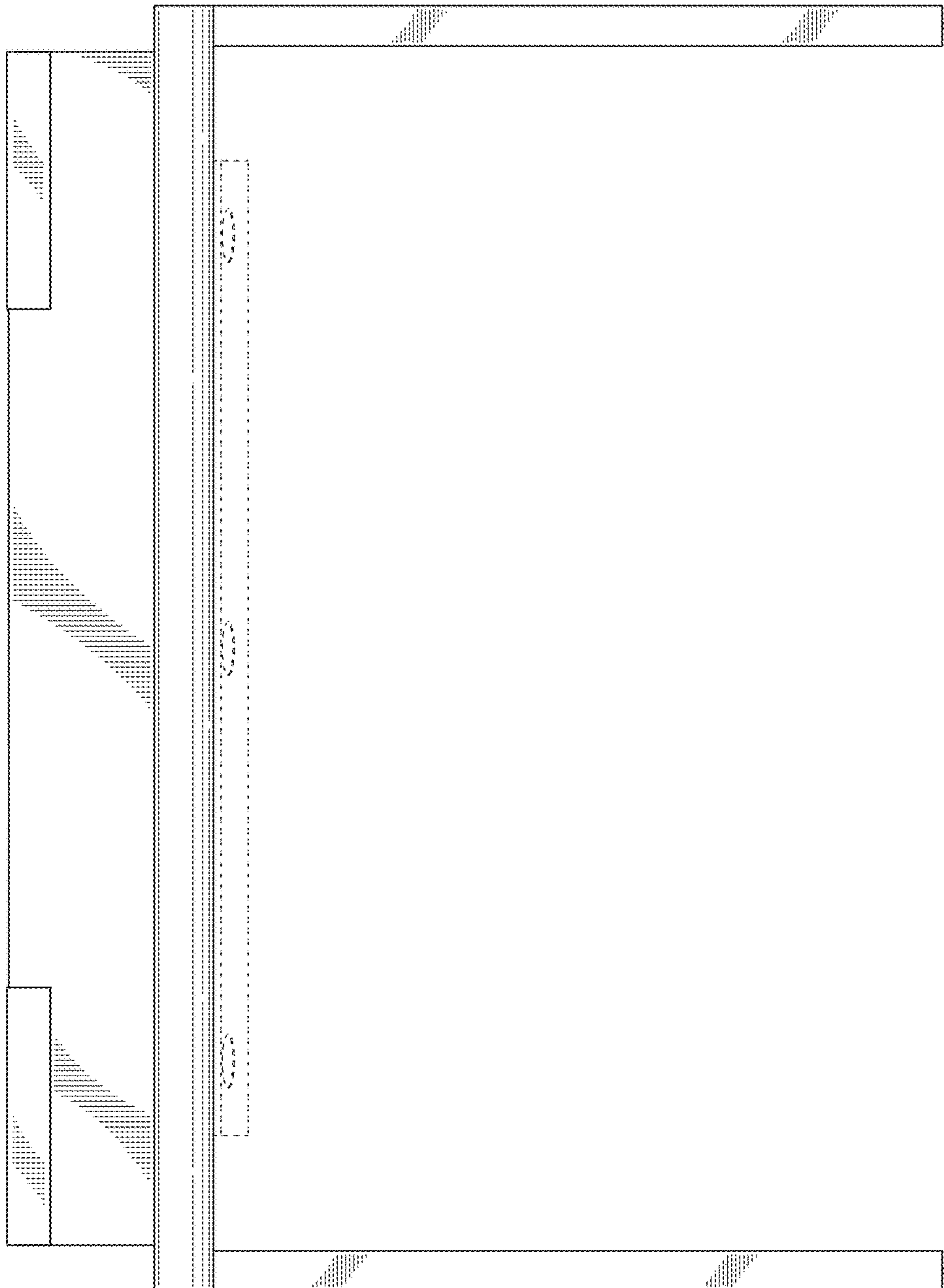


FIG. 2

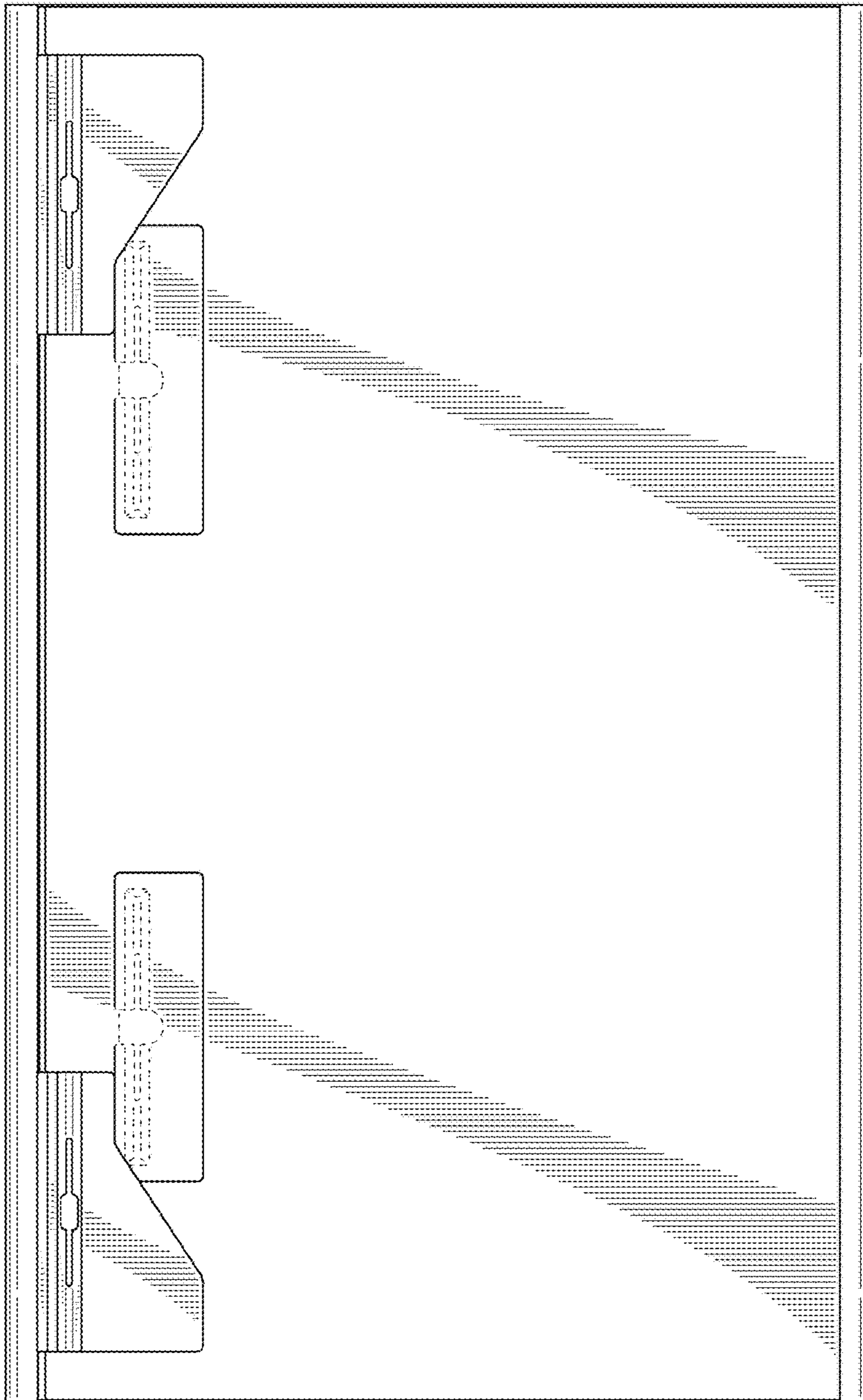


FIG. 3

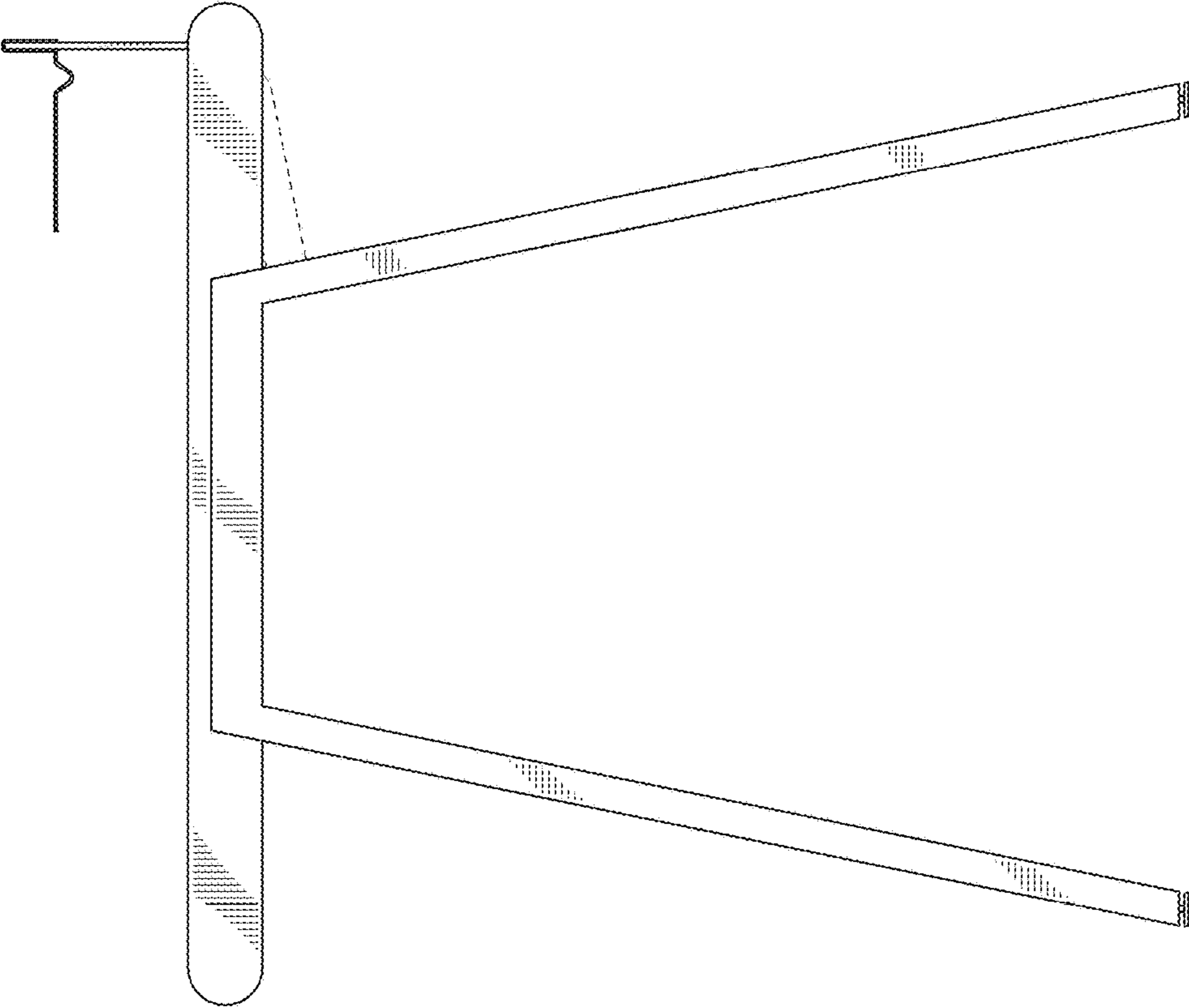


FIG. 4

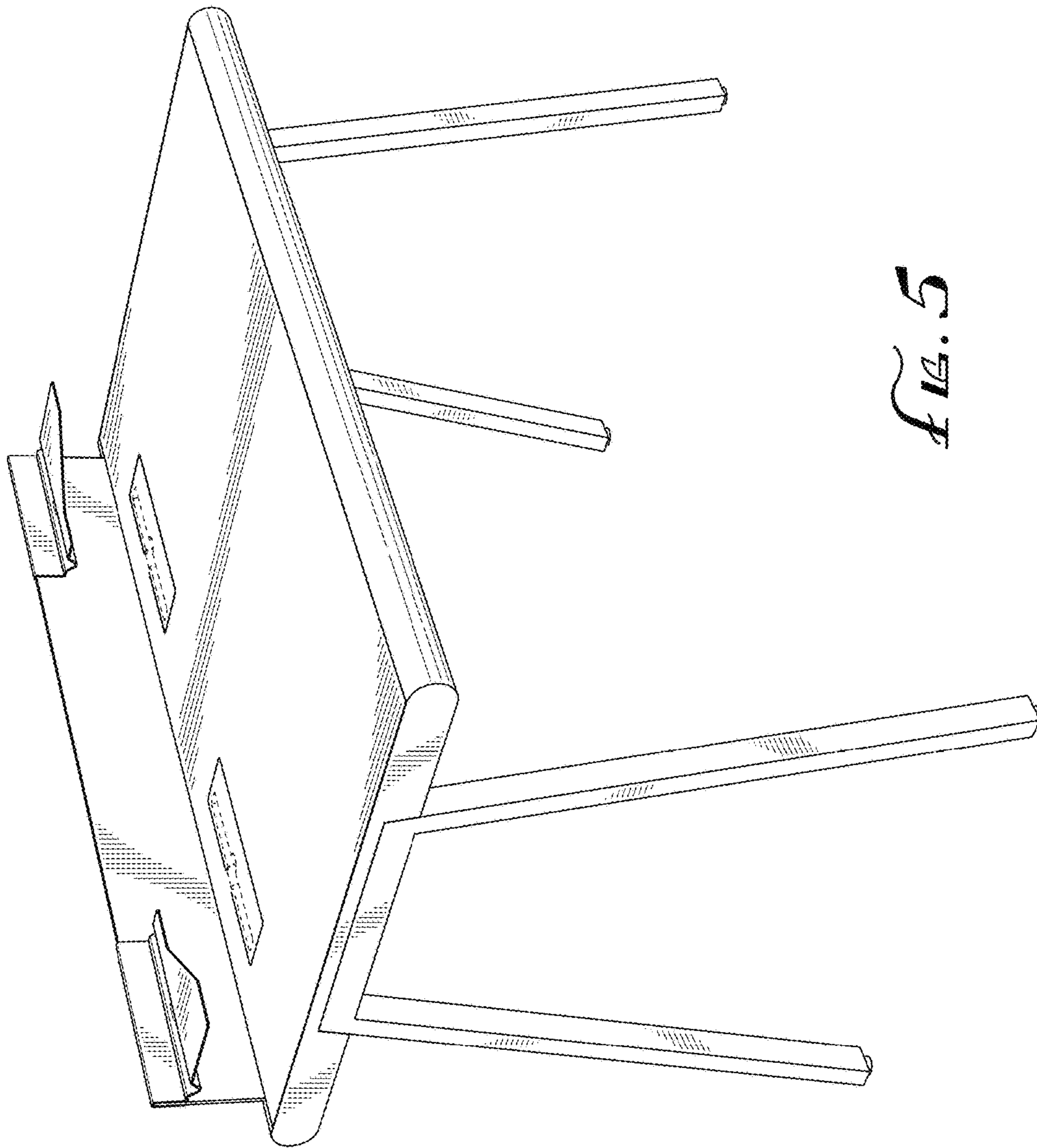


Fig. 5