

US00D826595S

(12) **United States Design Patent** (10) **Patent No.:** **US D826,595 S**
Fries (45) **Date of Patent:** **** Aug. 28, 2018**

(54) **DISPENSER FOR CREAMS AND COSMETICS**
 (71) Applicant: **JOMA KUNSTSTOFFTECHNIK GMBH & CO KG**, Brunn am Gebirge (AT)

(72) Inventor: **Rudolf Fries**, Kaumberg (AT)

(**) Term: **15 Years**

(21) Appl. No.: **35/503,358**

(22) Filed: **May 9, 2017**

(80) **Hague Agreement Data**

Int. Filing Date: **May 9, 2017**
 Int. Reg. No.: **DM/096705**
 Int. Reg. Date: **May 9, 2017**
 Int. Reg. Pub. Date: **Jul. 14, 2017**

(51) **LOC (11) Cl.** **06-04**

(52) **U.S. Cl.**
 USPC **D6/542; D9/448**

(58) **Field of Classification Search**
 USPC D6/542–545; D7/300.2, 397, 398;
 D9/448, 434–436, 439, 440, 443, 447,
 D9/449, 499, 682, 688, 690; D24/108,
 D24/127; D19/104
 CPC B05B 7/0037; B05B 11/3074; B05B
 11/3087; B05B 11/3067
 See application file for complete search history.

(56) **References Cited**

U.S. PATENT DOCUMENTS

D418,418 S * 1/2000 Wadsworth D9/448
 D444,977 S * 7/2001 Ludwig D6/542

D528,913 S * 9/2006 Penfold D9/448
 D529,384 S * 10/2006 van der Heijden D6/542
 D547,656 S * 7/2007 van der Heijden D6/542
 D557,146 S * 12/2007 Penfold D9/690
 D574,707 S * 8/2008 Pietrowski D9/448
 D588,006 S * 3/2009 Boes D9/448
 D631,344 S * 1/2011 Michitsuji D9/434
 D635,808 S * 4/2011 DeBretton Gordon D6/542
 D661,149 S * 6/2012 Yang D6/542
 D773,847 S * 12/2016 Lord D6/542
 D810,461 S * 2/2018 Bahler D6/542
 D816,498 S * 5/2018 Fily D9/448
 D817,659 S * 5/2018 Stelmarski D6/542

* cited by examiner

Primary Examiner — Mary Ann Calabrese
Assistant Examiner — Jennifer L Rempfer

(57) **CLAIM**

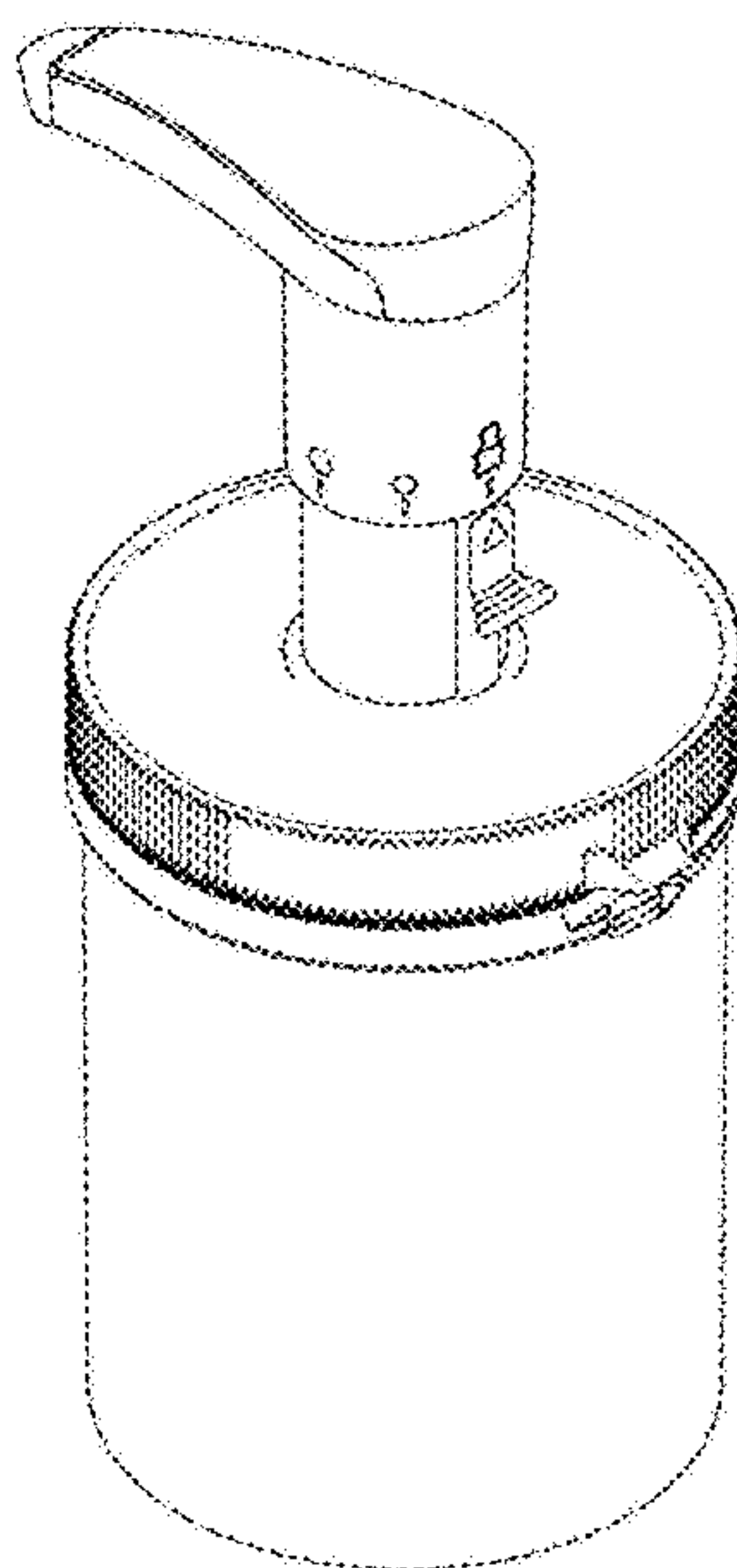
The ornamental design for a dispenser for creams and cosmetics, as shown and described.

DESCRIPTION

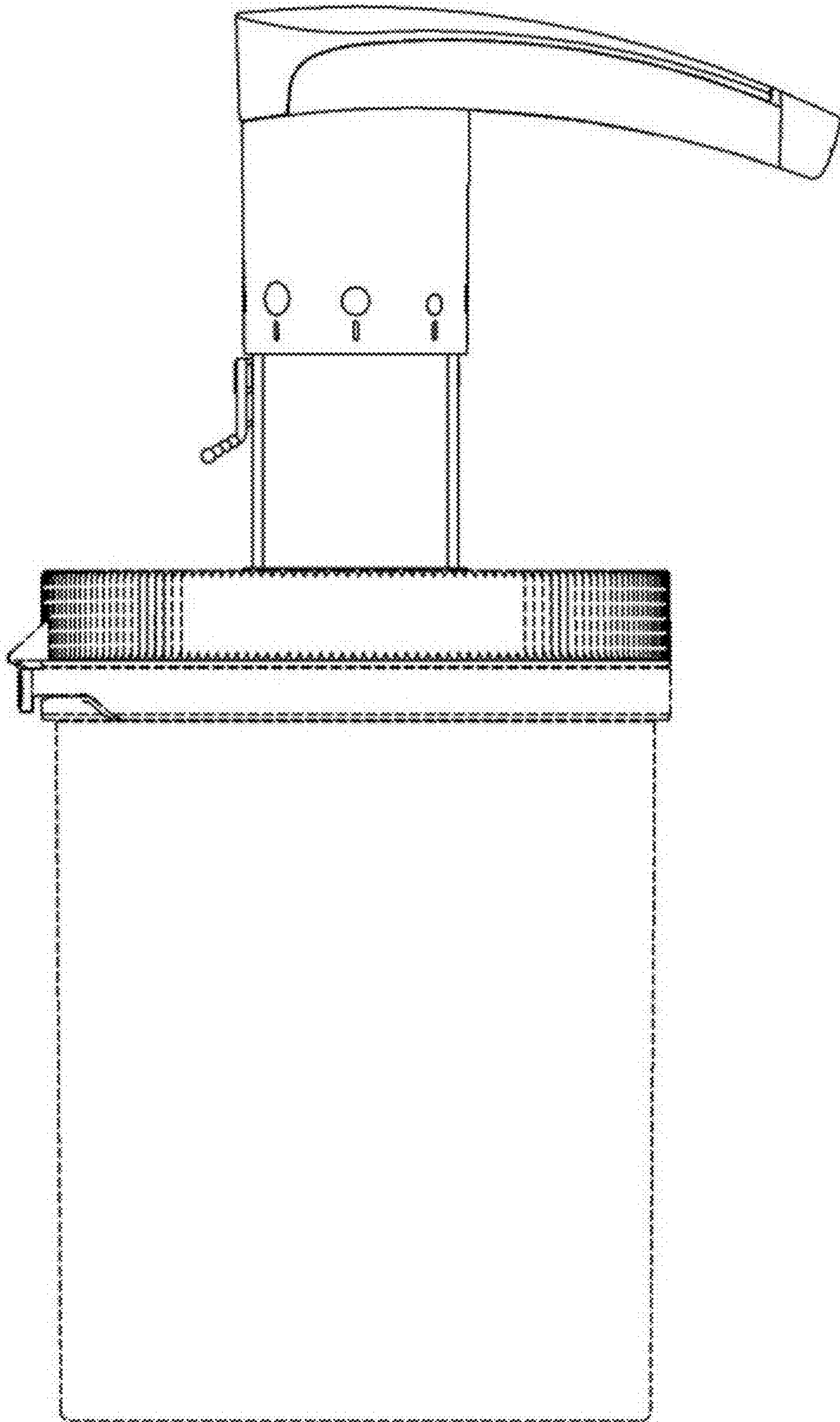
1. Dispenser for creams and cosmetics
- 1.1 : Right
- 1.2 : Top
- 1.3 : Bottom
- 1.4 : Back
- 1.5 : Front
- 1.6 : Left
- 1.7 : Perspective

The broken lines show portions of the design that form no part of the claim.

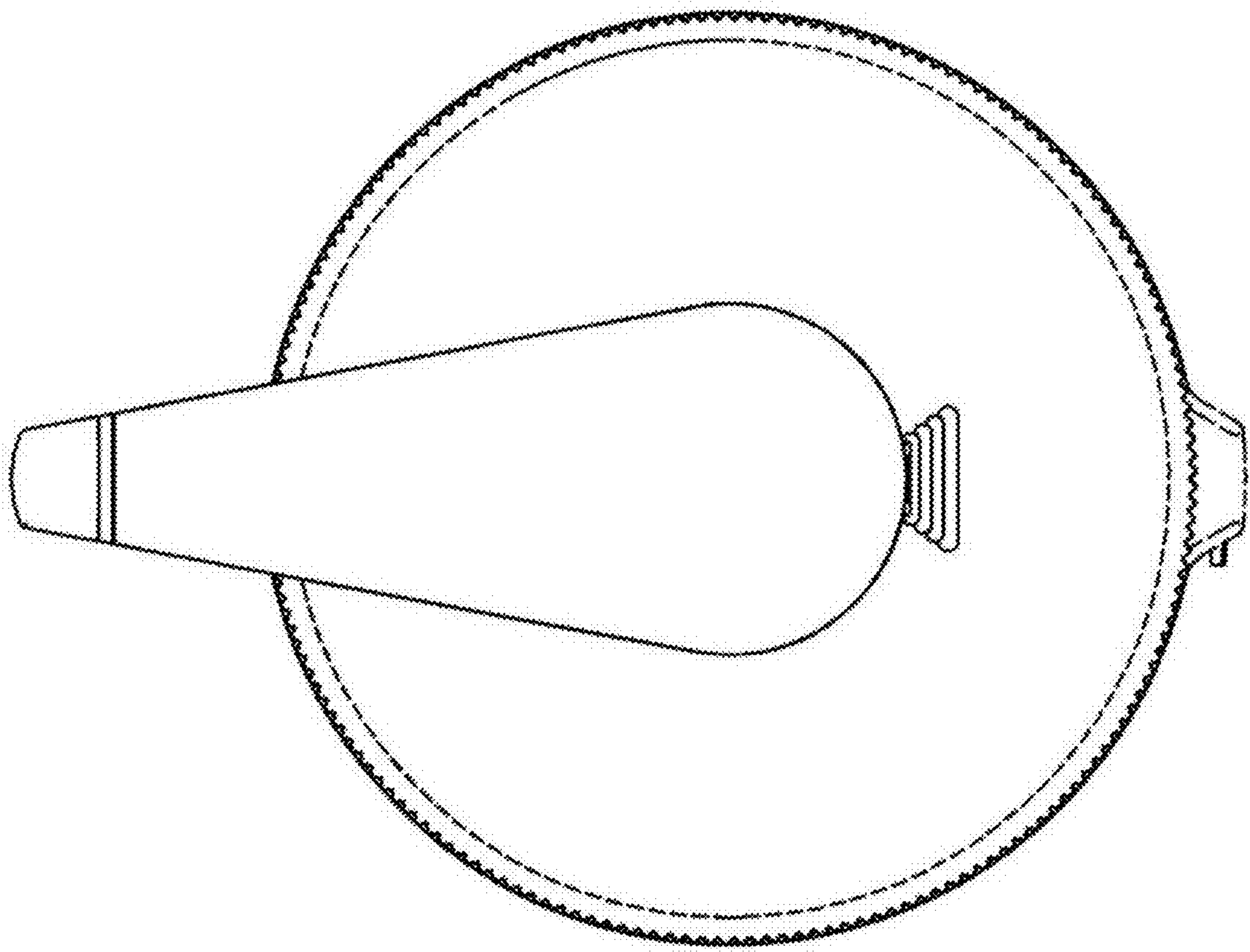
1 Claim, 7 Drawing Sheets



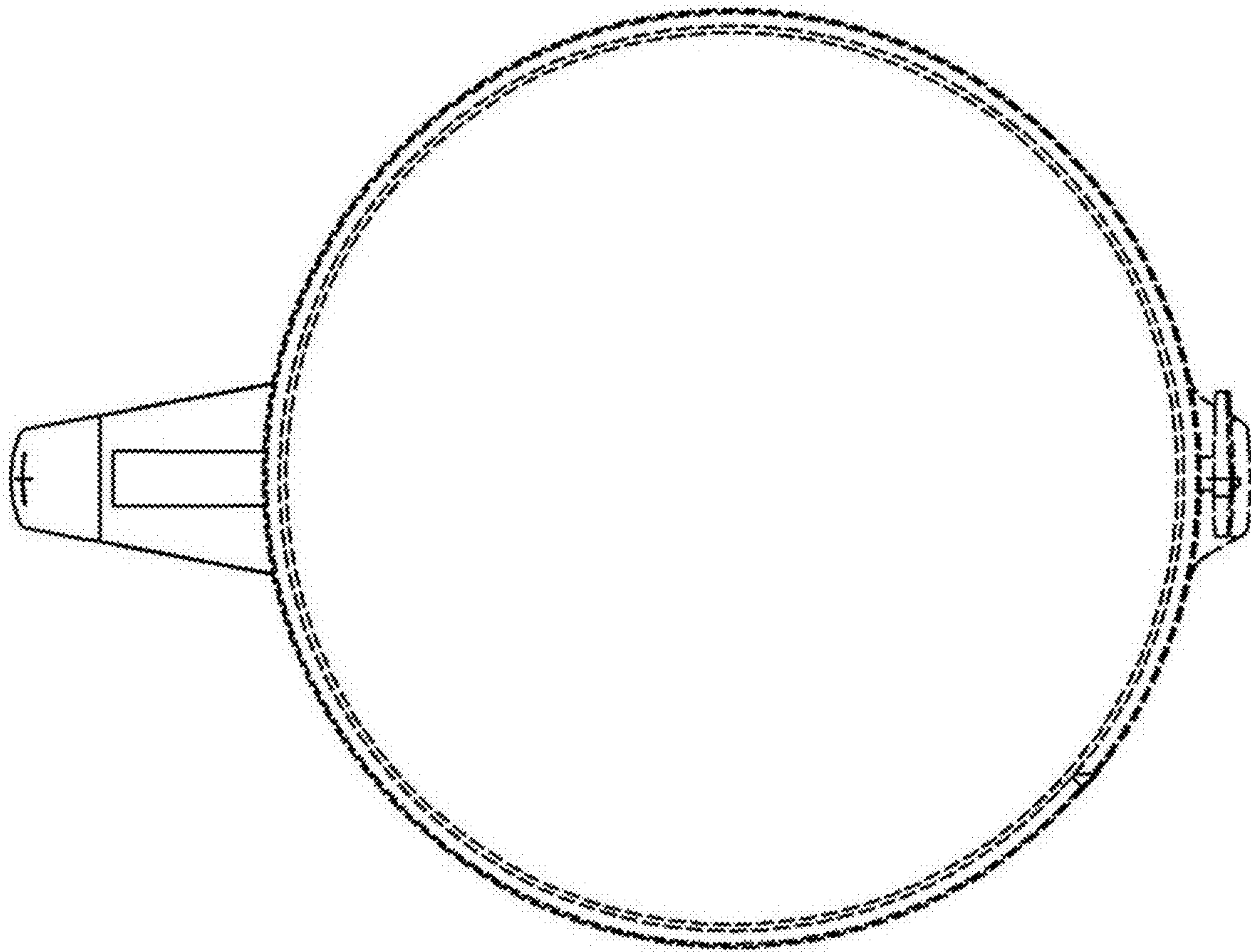
1.1



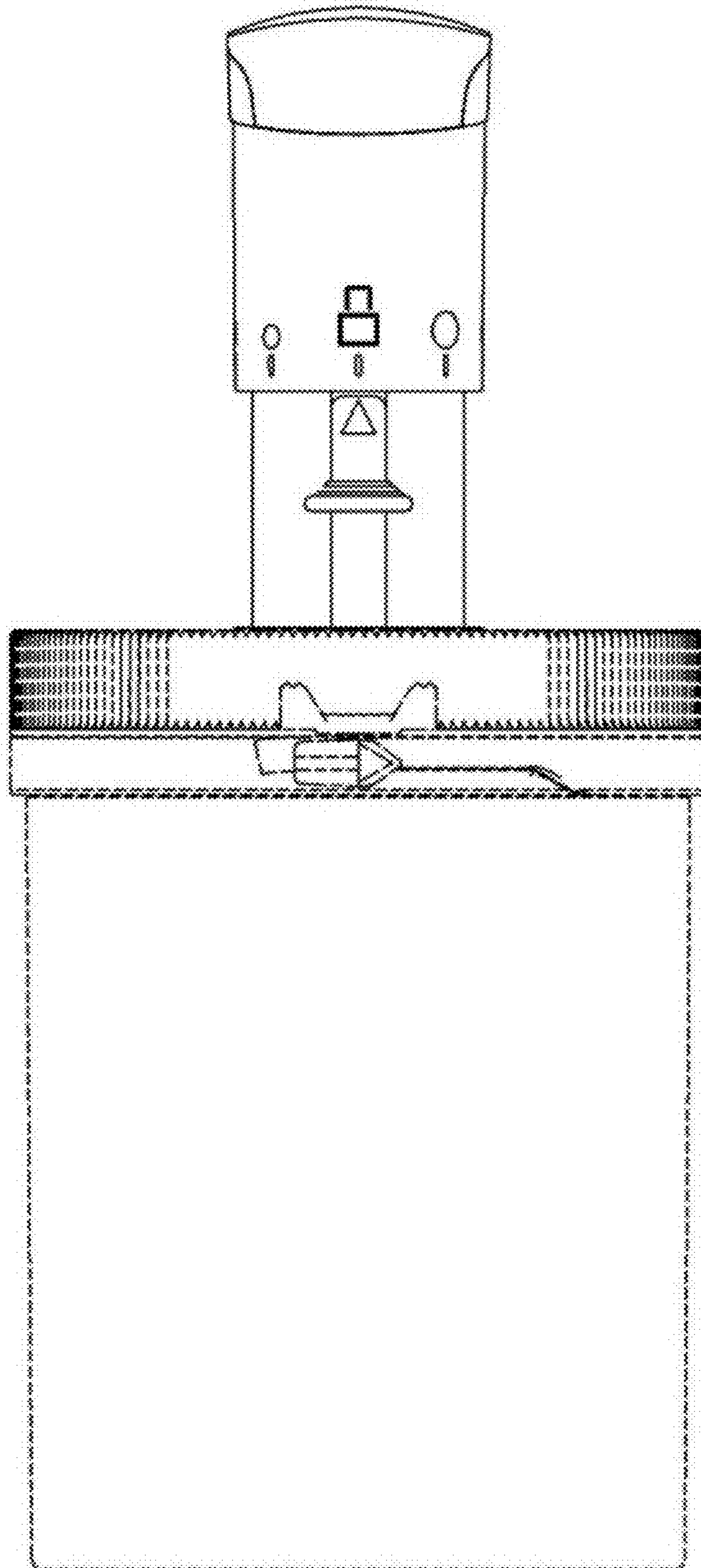
1.2



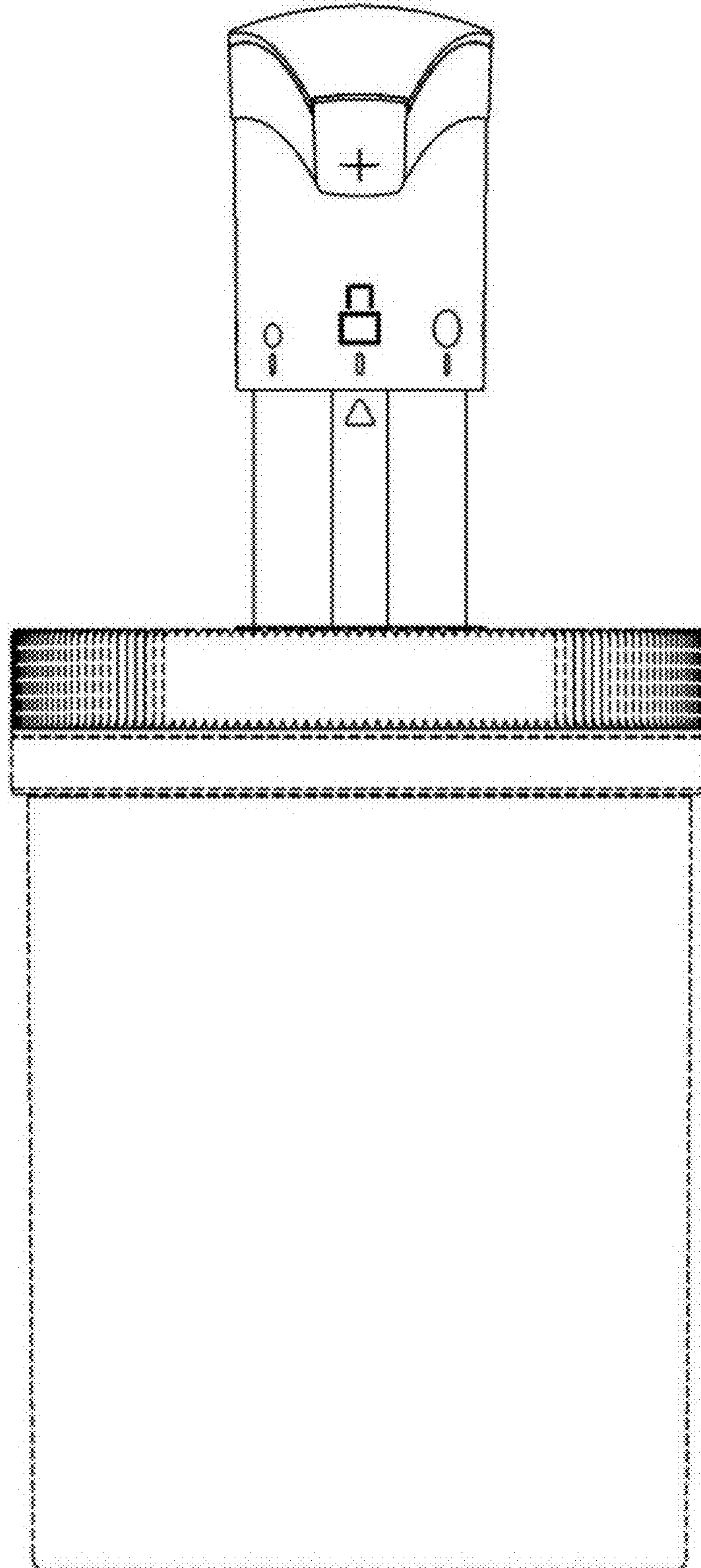
1.3



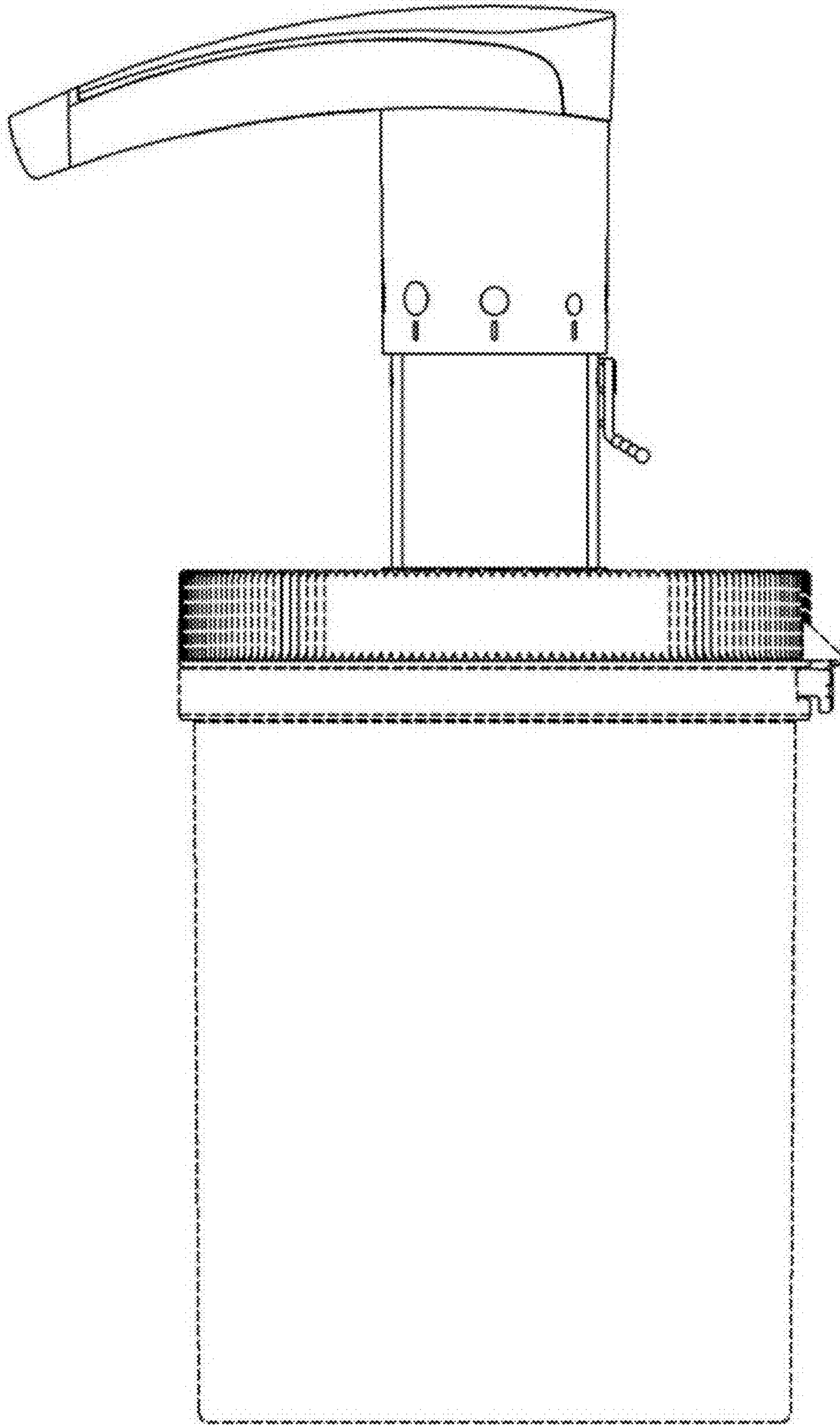
1.4



1.5



1.6



1.7

