



US00D826593S

(12) **United States Design Patent** (10) **Patent No.:** **US D826,593 S**
Kuo (45) **Date of Patent:** **** Aug. 28, 2018**

(54) **CRIB STAND**

(71) Applicant: **B & B BEST INDUSTRIAL CO., LTD.**, Taipei (TW)

(72) Inventor: **Shih-Cheh Kuo**, Taipei (TW)

(73) Assignee: **B & B Best Industrial Co., Ltd.**, Taipei (TW)

(**) Term: **15 Years**

(21) Appl. No.: **29/612,997**

(22) Filed: **Aug. 7, 2017**

(51) **LOC (11) Cl.** **06-02**

(52) **U.S. Cl.**
USPC **D6/391**; D6/718.26

(58) **Field of Classification Search**
USPC D6/390-392, 718, 718.26
CPC A47D 9/02; A47D 9/005; A47D 15/00
See application file for complete search history.

(56) **References Cited**

U.S. PATENT DOCUMENTS

6,934,981	B2 *	8/2005	Waldman	A47D 7/007	5/11
8,756,728	B2 *	6/2014	Bergkvist	A47D 9/02	5/101
9,883,750	B2 *	2/2018	Yi	A47D 9/00	
2003/0177574	A1 *	9/2003	Waldman	A47D 7/007	5/93.1
2005/0005353	A1 *	1/2005	Waldman	A47D 9/00	5/101

2005/0098969	A1 *	5/2005	Waldman	A47D 9/00	280/47.38
2016/0106226	A1 *	4/2016	Yi	A47D 9/00	5/11
2016/0198864	A1 *	7/2016	Yang	A47D 15/00	5/655

OTHER PUBLICATIONS

Chicco Next 2 Me Bedside Crib, gumtree.com, posted Apr. 2017, site visited May 22, 2018, available online at <https://www.gumtree.com/p/cribs-bassinets/chicco-next-2-me-bedside-crib-with-mat-tress/> (Year: 2017).*
Childcare Cosy Time Sleeper, babyonthemove.co.nz, (c) 2008, site visited May 22, 2018, available online at https://www.babyonthemove.co.nz/baby-nursery/bassinets_hammocks/bassinet/cosy-time-sleeper (Year: 2008).*

* cited by examiner

Primary Examiner — Cathron C Brooks
(74) *Attorney, Agent, or Firm* — Alan D. Kamrath; Kamrath IP Lawfirm, P.A.

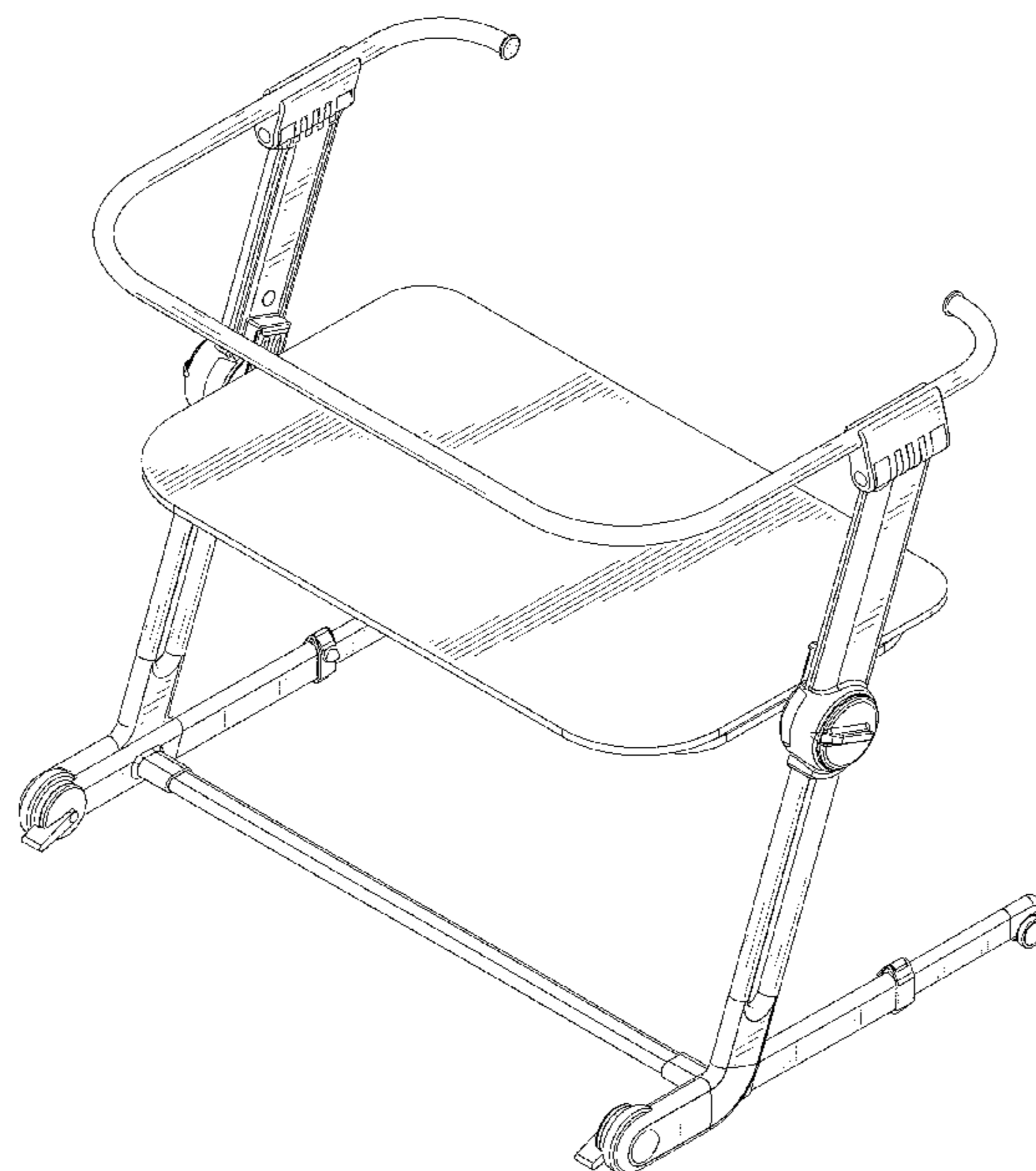
(57) **CLAIM**

The ornamental design for a crib stand, as shown and described.

DESCRIPTION

FIG. 1 is a perspective view of a crib stand showing my new design;
FIG. 2 is another perspective view thereof;
FIG. 3 is a front view thereof;
FIG. 4 is a rear view thereof;
FIG. 5 is a left side view thereof;
FIG. 6 is a right side view thereof;
FIG. 7 is a top view thereof; and,
FIG. 8 is a bottom view thereof.

1 Claim, 8 Drawing Sheets



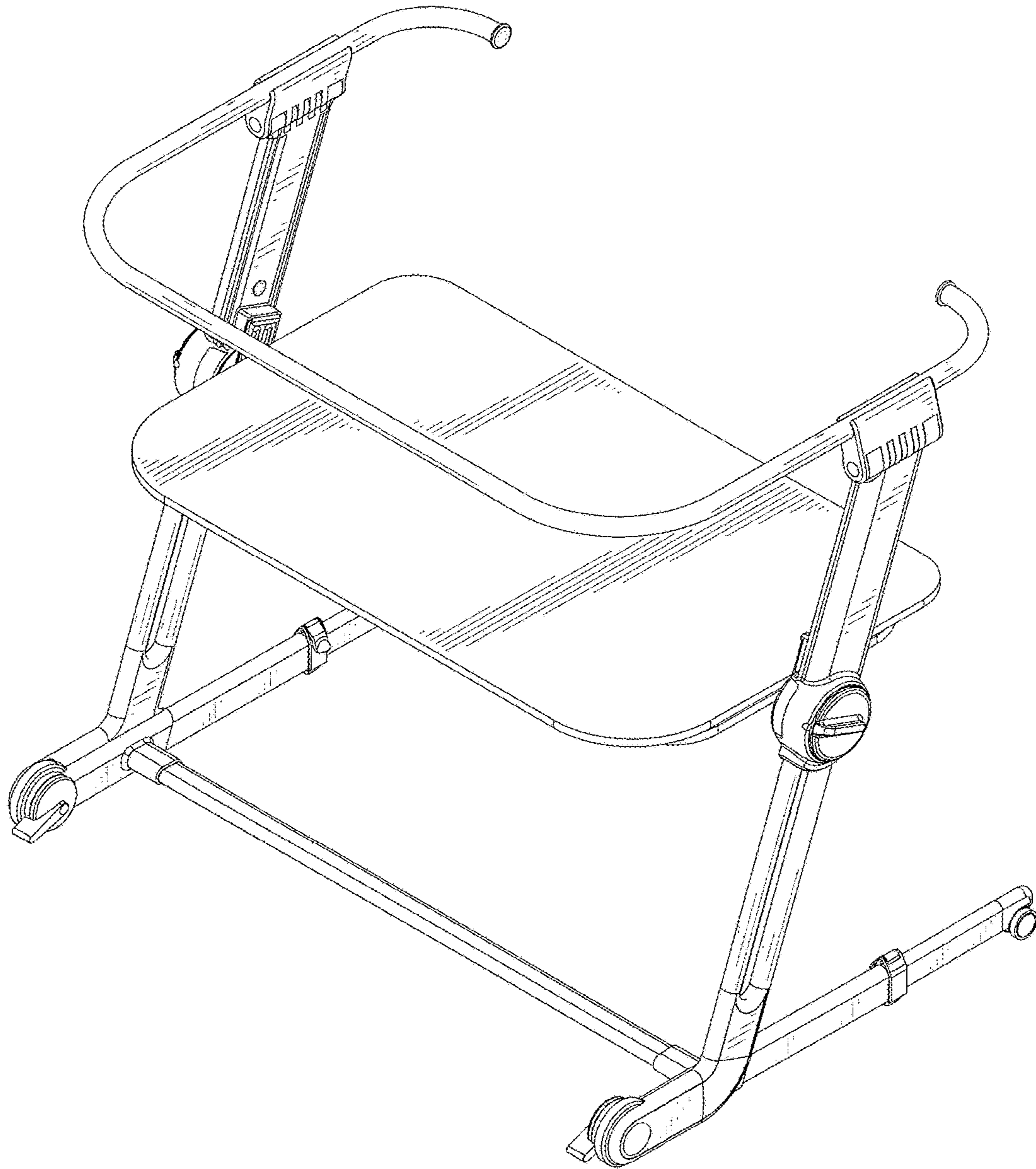


FIG.1

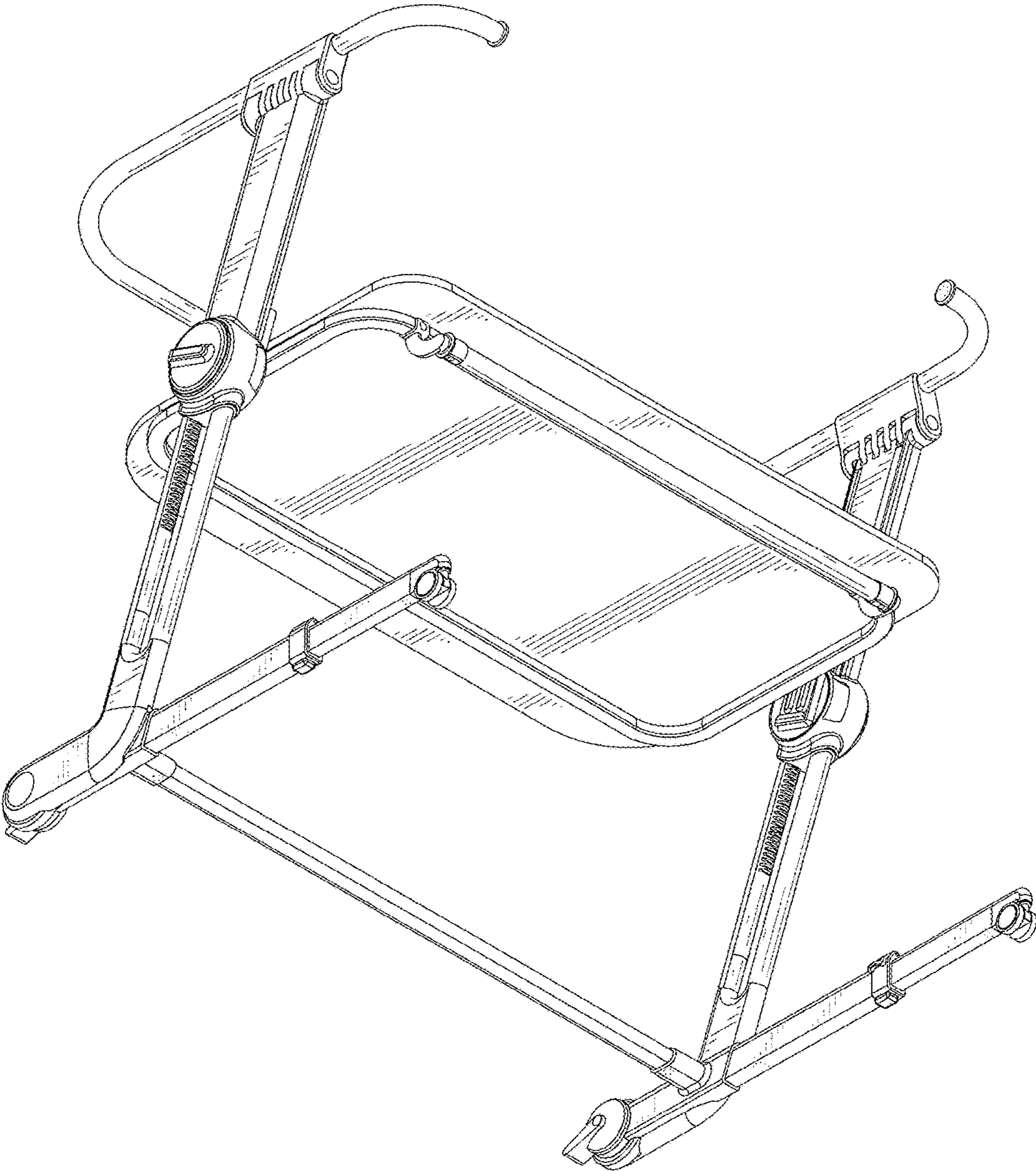


FIG.2

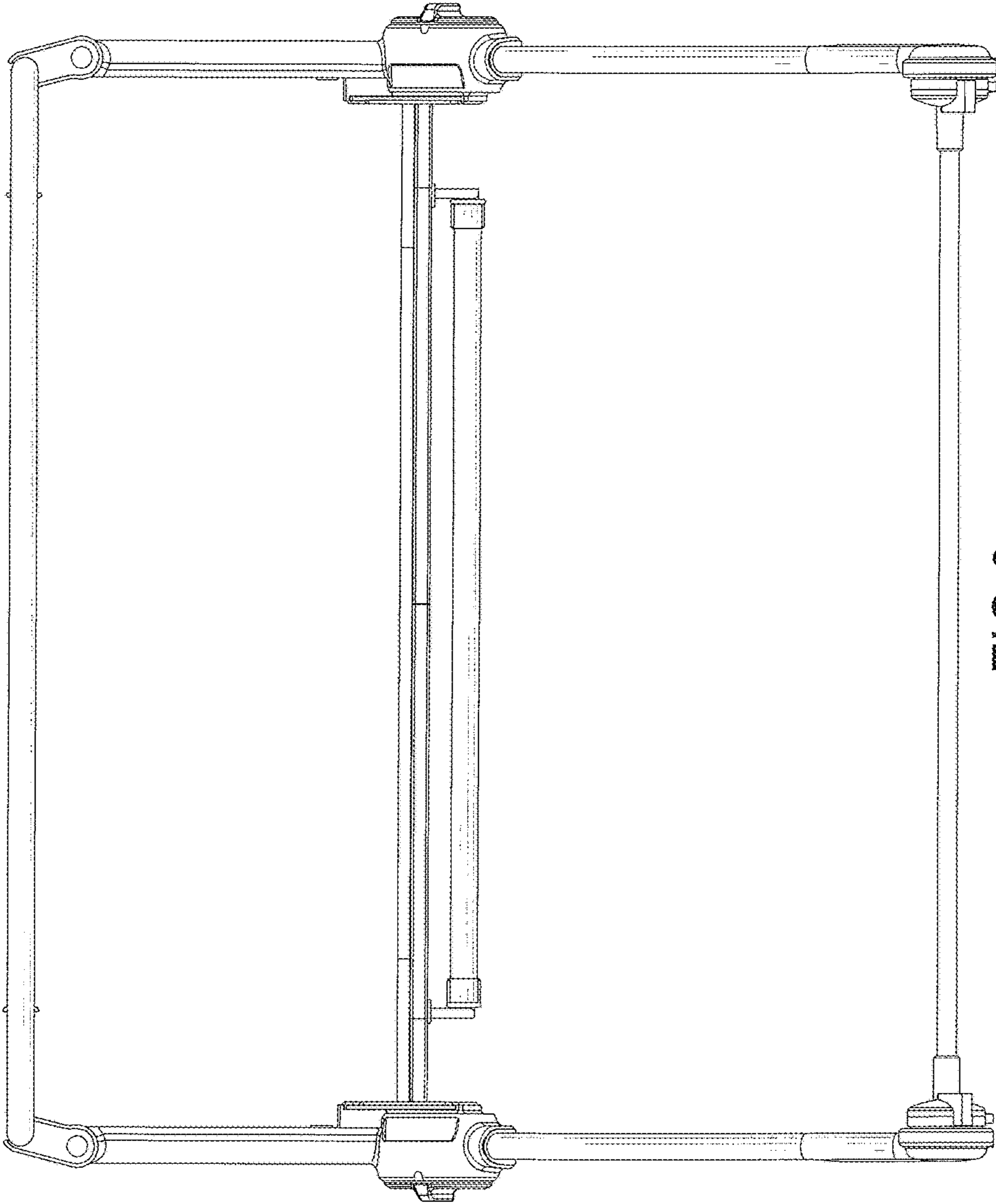


FIG.3

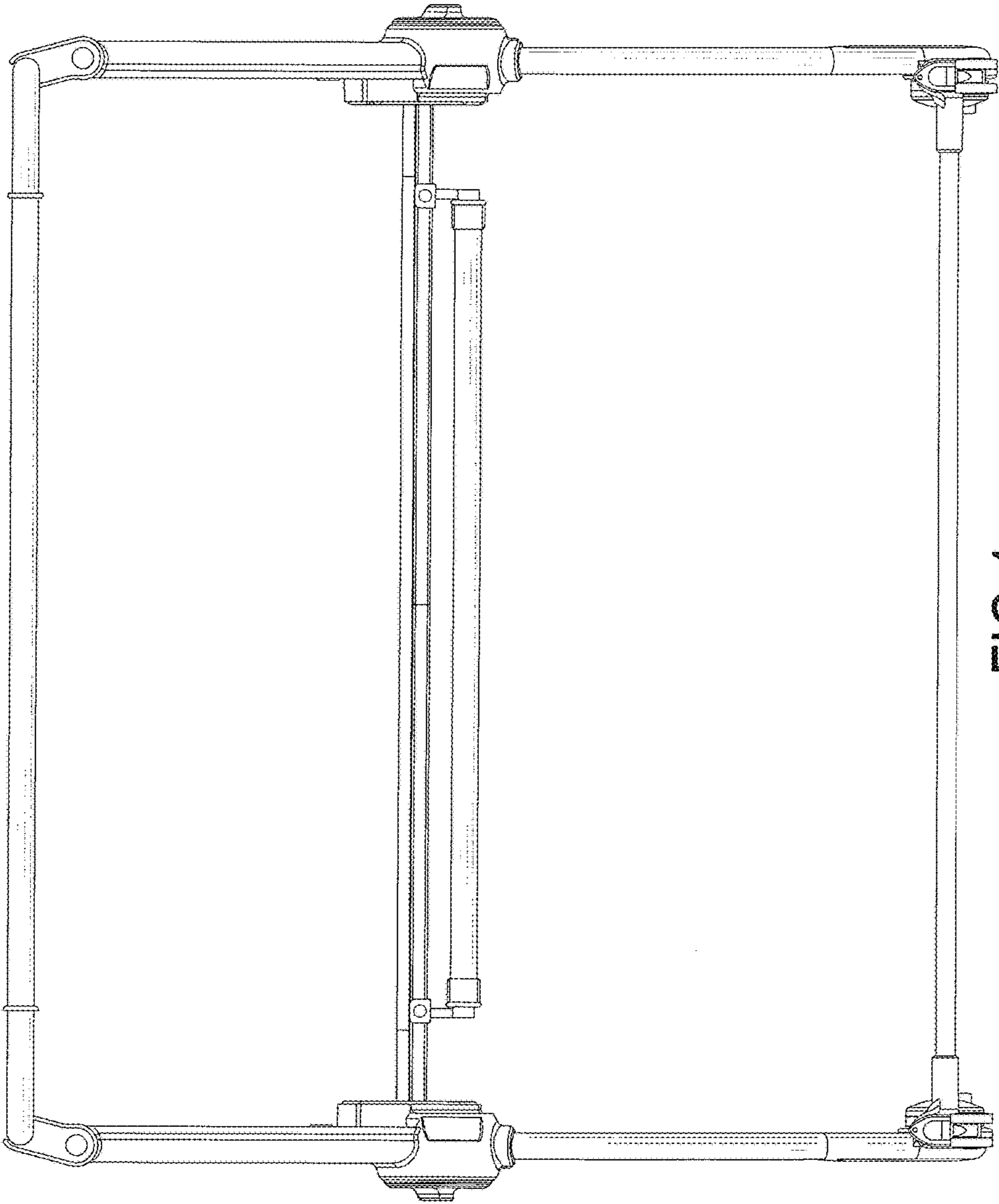


FIG.4

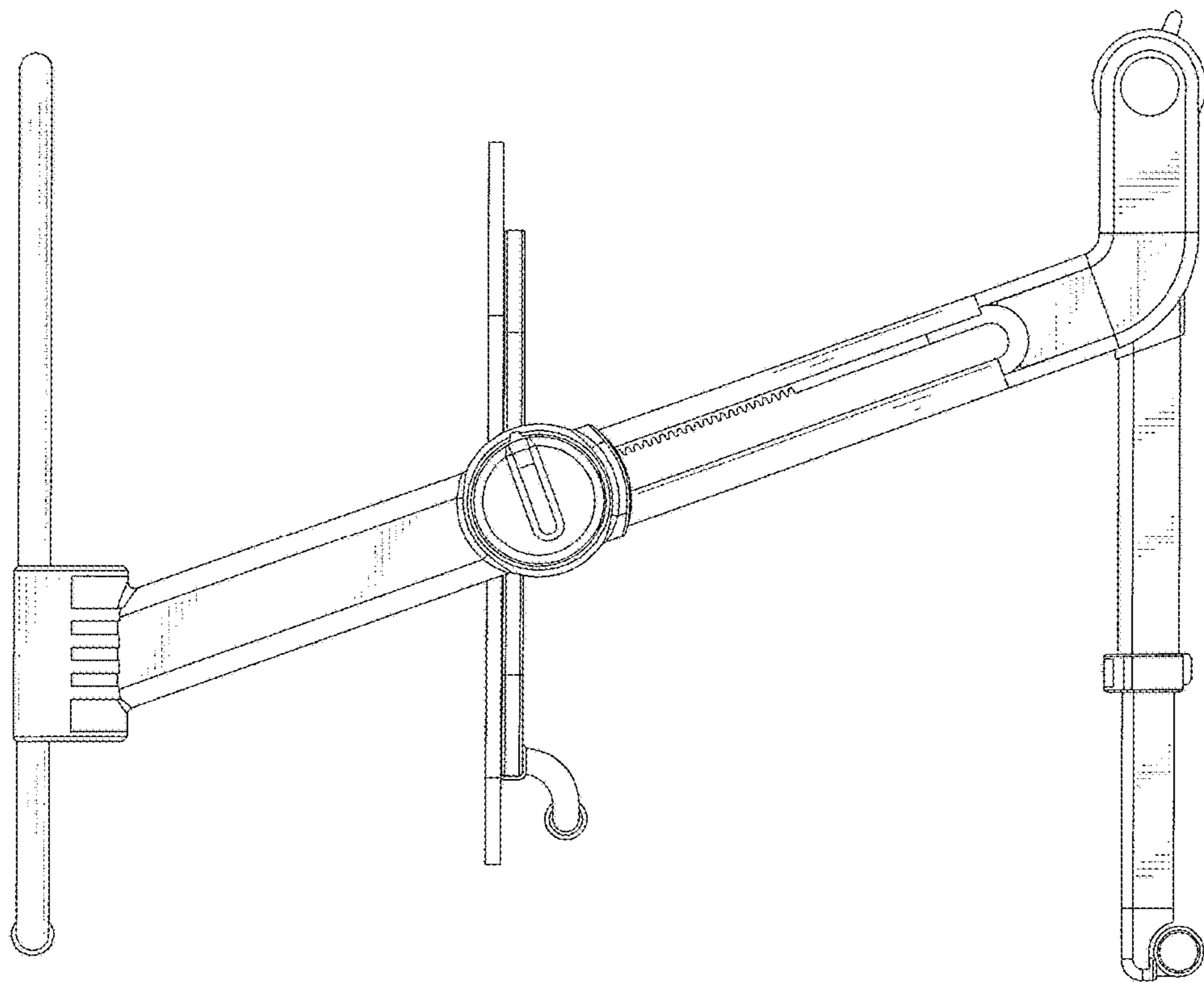


FIG. 5

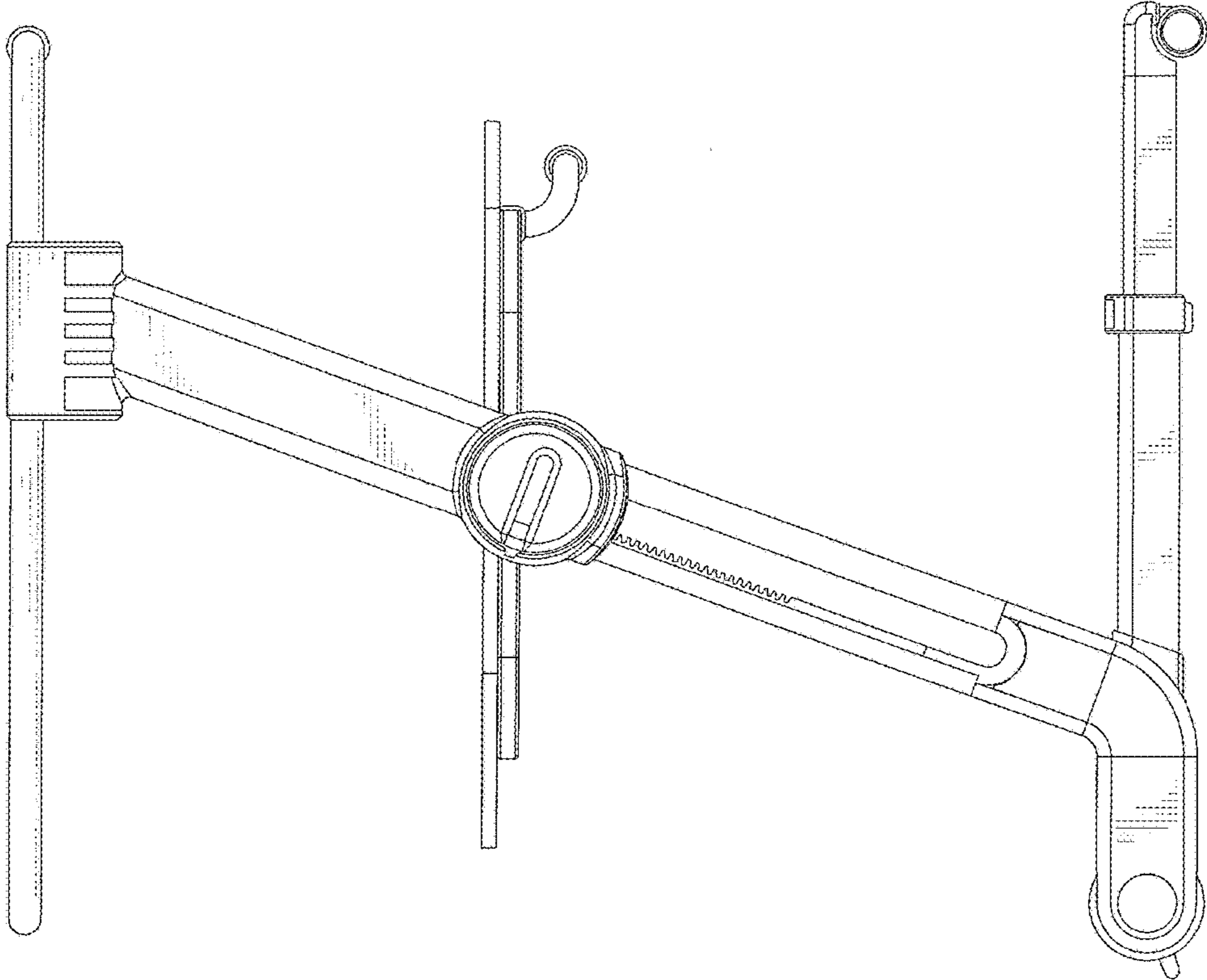


FIG.6

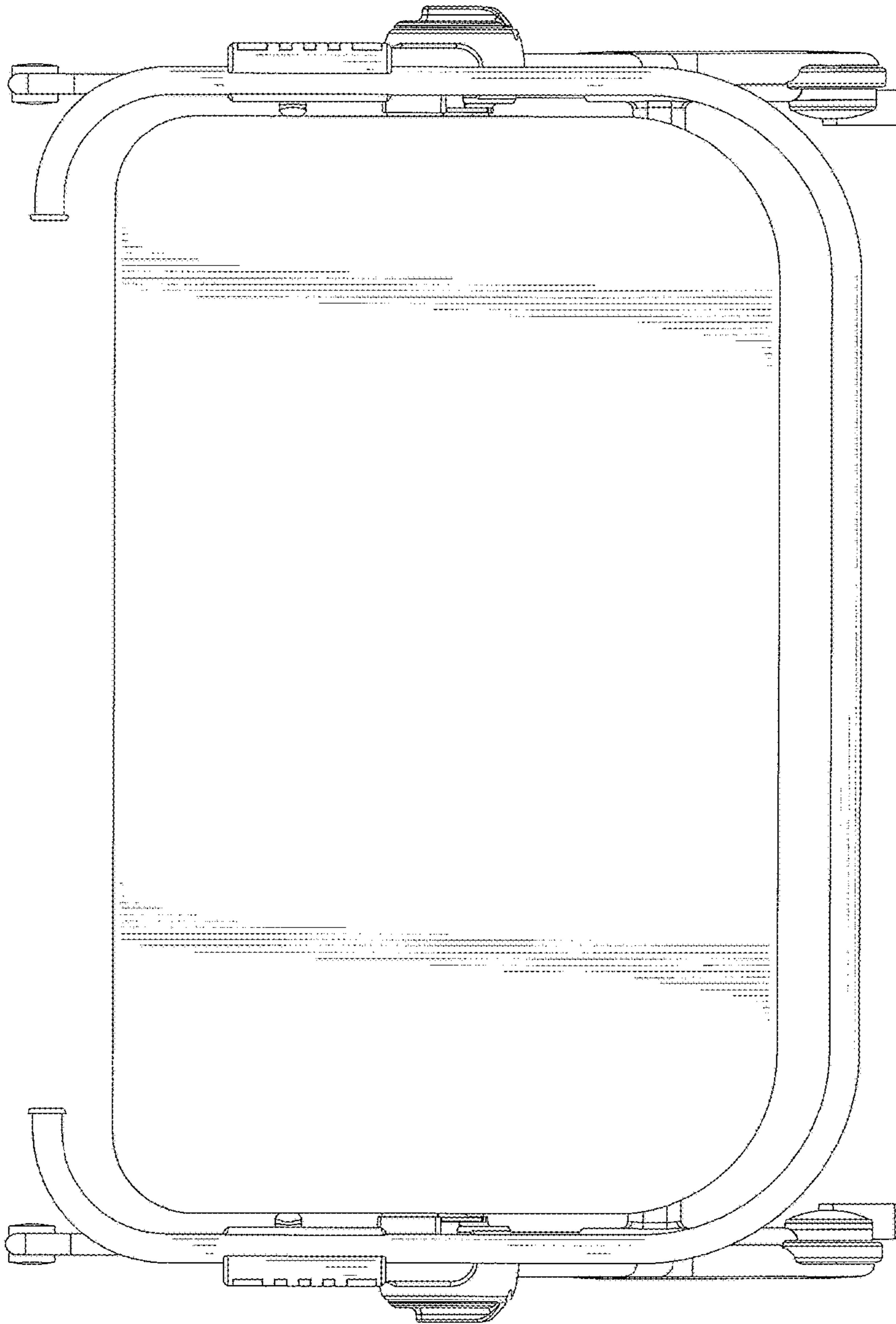


FIG.7

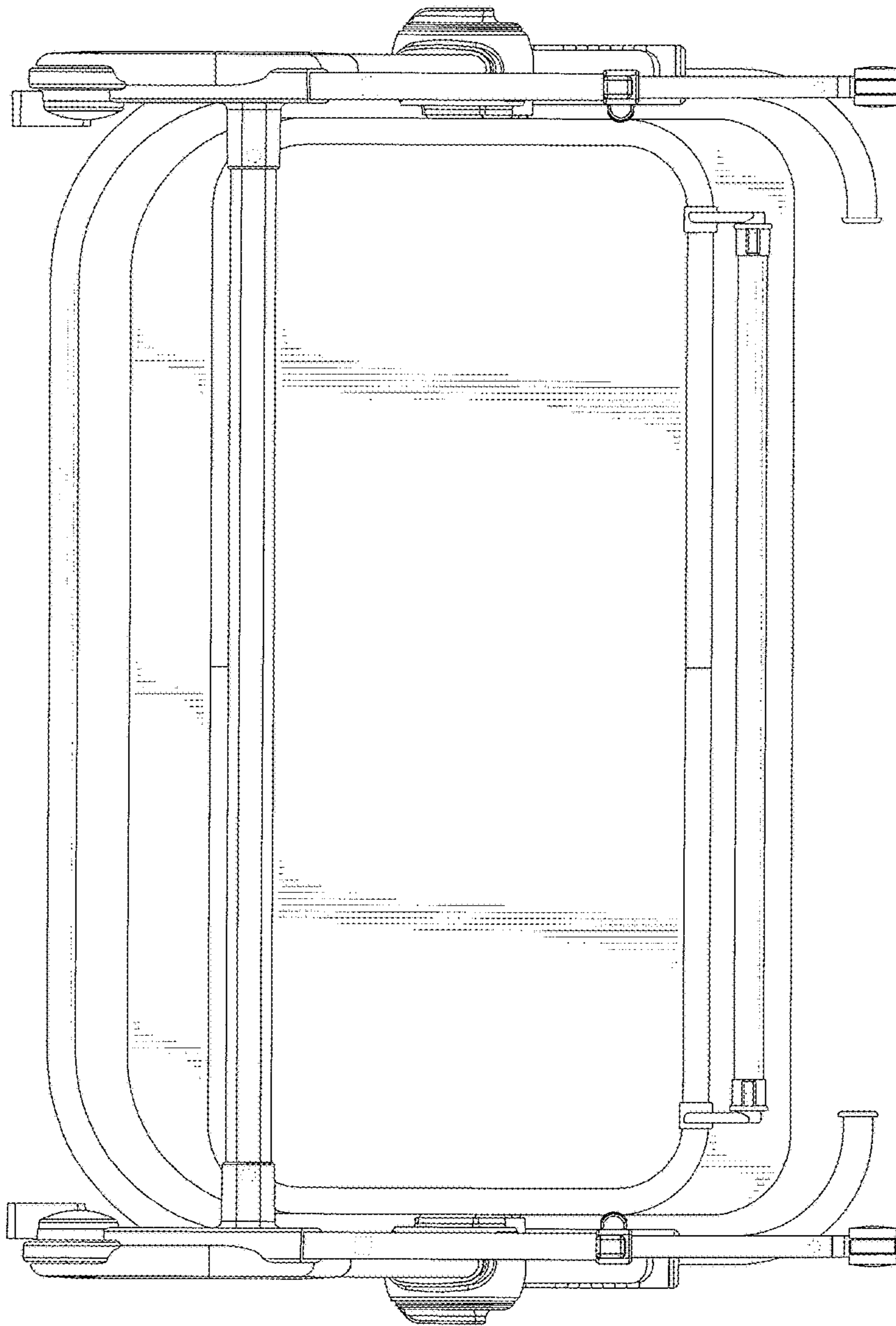


FIG.8