



US00D826589S

(12) **United States Design Patent** (10) **Patent No.:** **US D826,589 S**
Natuzzi (45) **Date of Patent:** **** Aug. 28, 2018**

(54) **SOFA**
(71) Applicant: **NATUZZI S.P.A.**, Santeramo In Colle (IT)
(72) Inventor: **Pasquale Natuzzi**, Santeramo In Colle (IT)

D486,314 S * 2/2004 Natuzzi D6/365
D590,165 S * 4/2009 Natuzzi D6/381
D593,766 S * 6/2009 Natuzzi D6/381
D675,844 S * 2/2013 Cramer D6/381
D677,492 S * 3/2013 Lauriero D6/381
D679,518 S * 4/2013 Lievore D6/381
D738,641 S * 9/2015 Adair D6/381
2012/0248836 A1* 10/2012 Lejcher A47C 17/02
297/232
2014/0375088 A1* 12/2014 Fuchs A47B 85/04
297/125

(**) Term: **15 Years**

(21) Appl. No.: **35/501,834**

* cited by examiner

(22) Filed: **Oct. 7, 2016**

(80) **Hague Agreement Data**

Primary Examiner — Mary Ann Calabrese
(74) *Attorney, Agent, or Firm* — Reising Ethington P.C.

Int. Filing Date: **Oct. 7, 2016**
Int. Reg. No.: **DM/093050**
Int. Reg. Date: **Oct. 7, 2016**
Int. Reg. Pub. Date: **Nov. 4, 2016**

(30) **Foreign Application Priority Data**

Apr. 8, 2016 (IT) 402016000036500

(51) **LOC (11) Cl.** **06-01**

(52) **U.S. Cl.**
USPC **D6/381**

(58) **Field of Classification Search**
USPC D6/334, 371, 374, 381
CPC A47C 1/00; A47C 3/00; A47C 7/00; A47C 7/02; A47C 15/00; A47C 17/00; A47C 17/02

See application file for complete search history.

(56) **References Cited**

U.S. PATENT DOCUMENTS

D396,332 S * 7/1998 McMahon D30/118
D432,807 S * 10/2000 Gollinucci D6/334

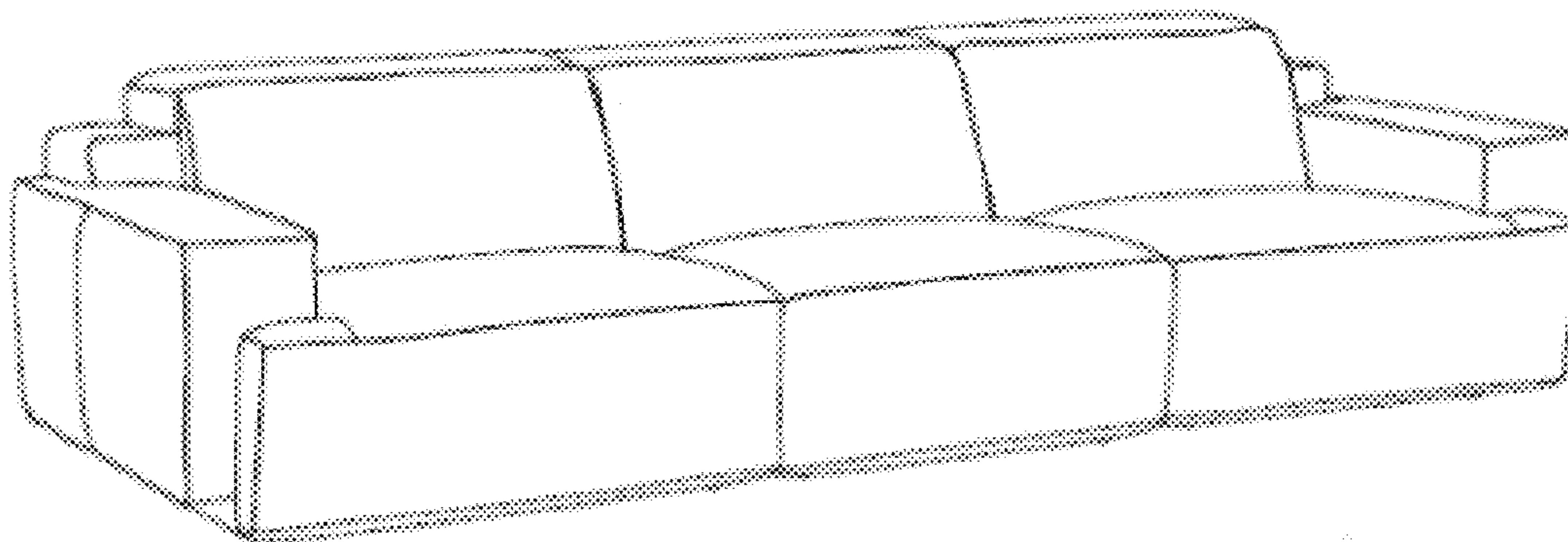
(57) **CLAIM**

The ornamental design for a sofa, as shown and described.

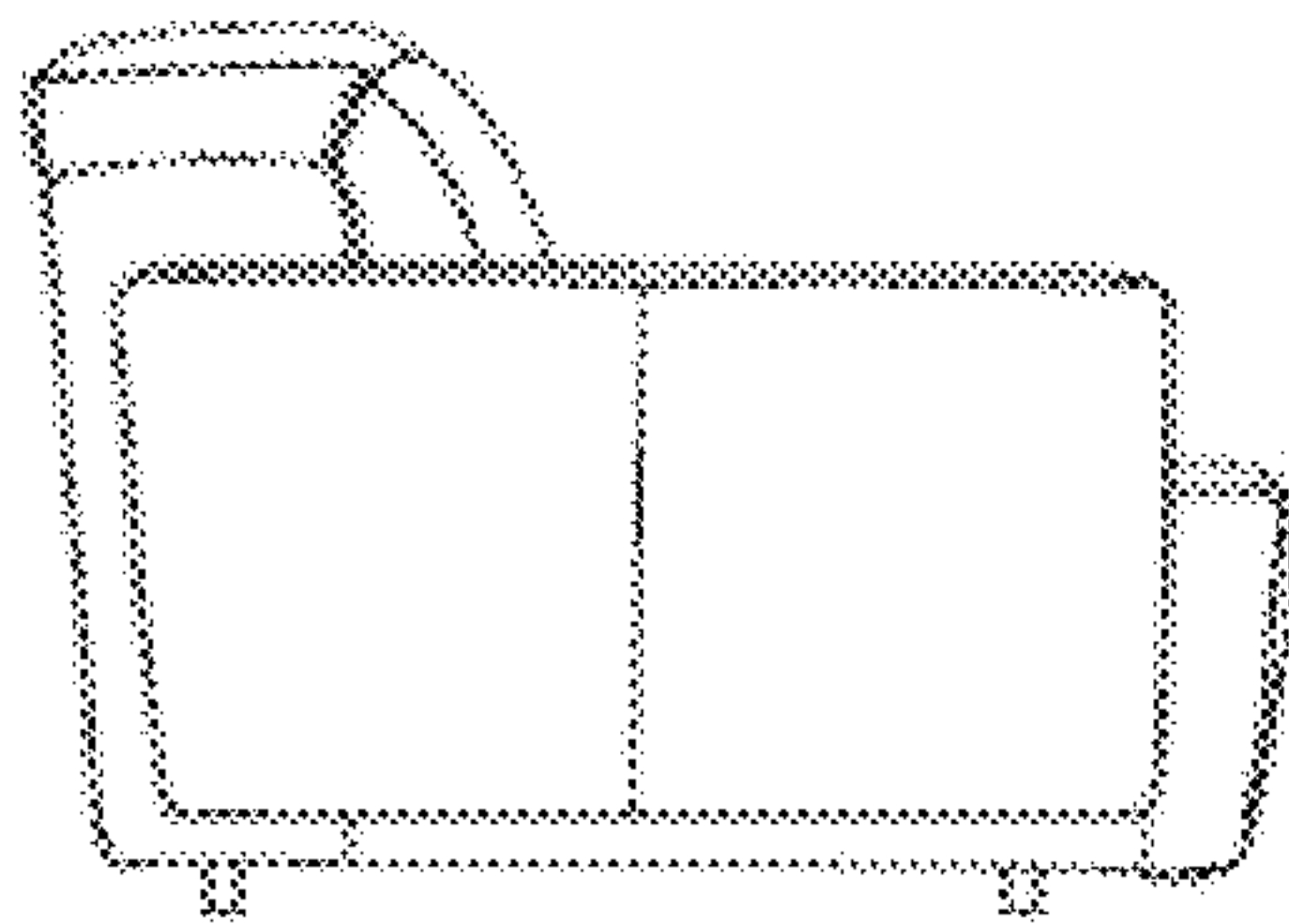
DESCRIPTION

2. Sofa
2.1 is a left side view of the sofa;
2.2 is a perspective view of the sofa;
2.3 is a front view of the sofa;
2.4 is a right side view of the sofa;
2.5 is a top view of the sofa;
2.6 is a rear view of the sofa; and
2.7 is a bottom view of the sofa.
The portions of the sofa shown in broken lines form no part of the claimed design.

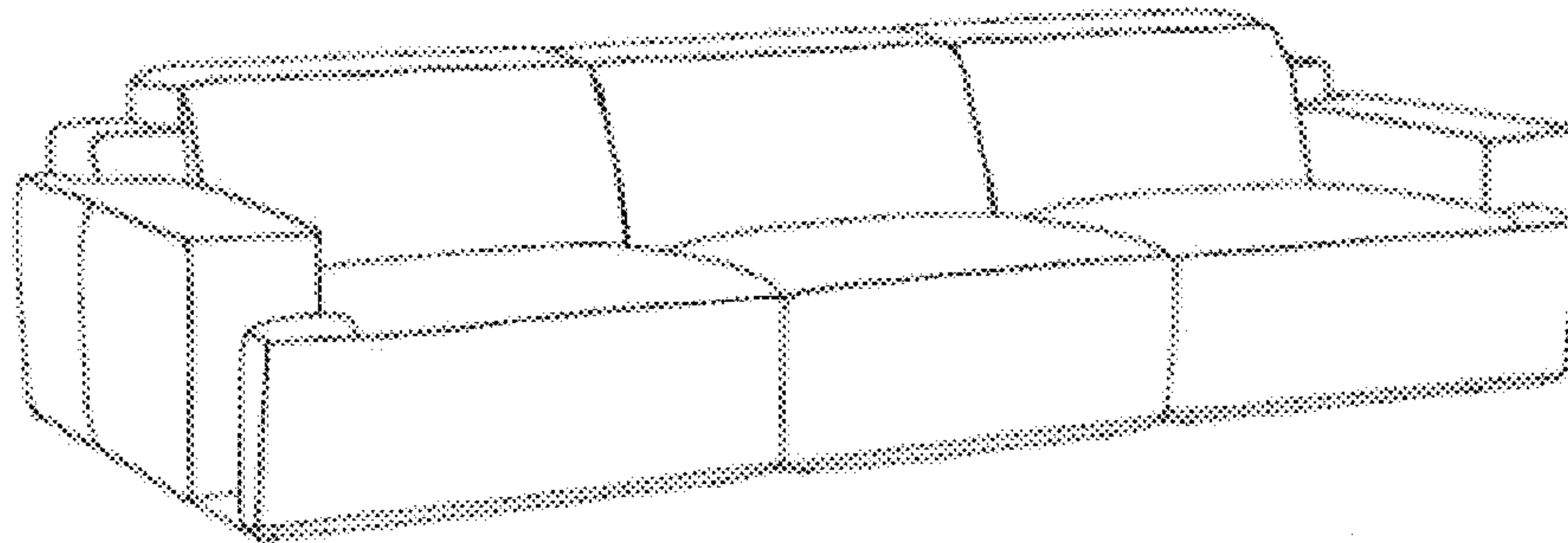
1 Claim, 7 Drawing Sheets



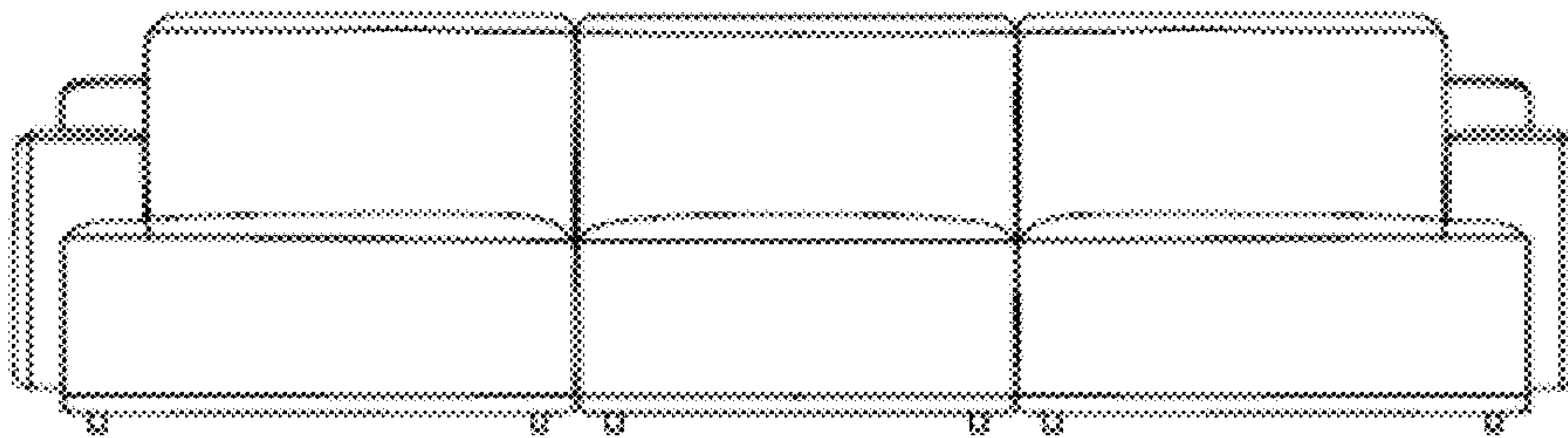
2.1



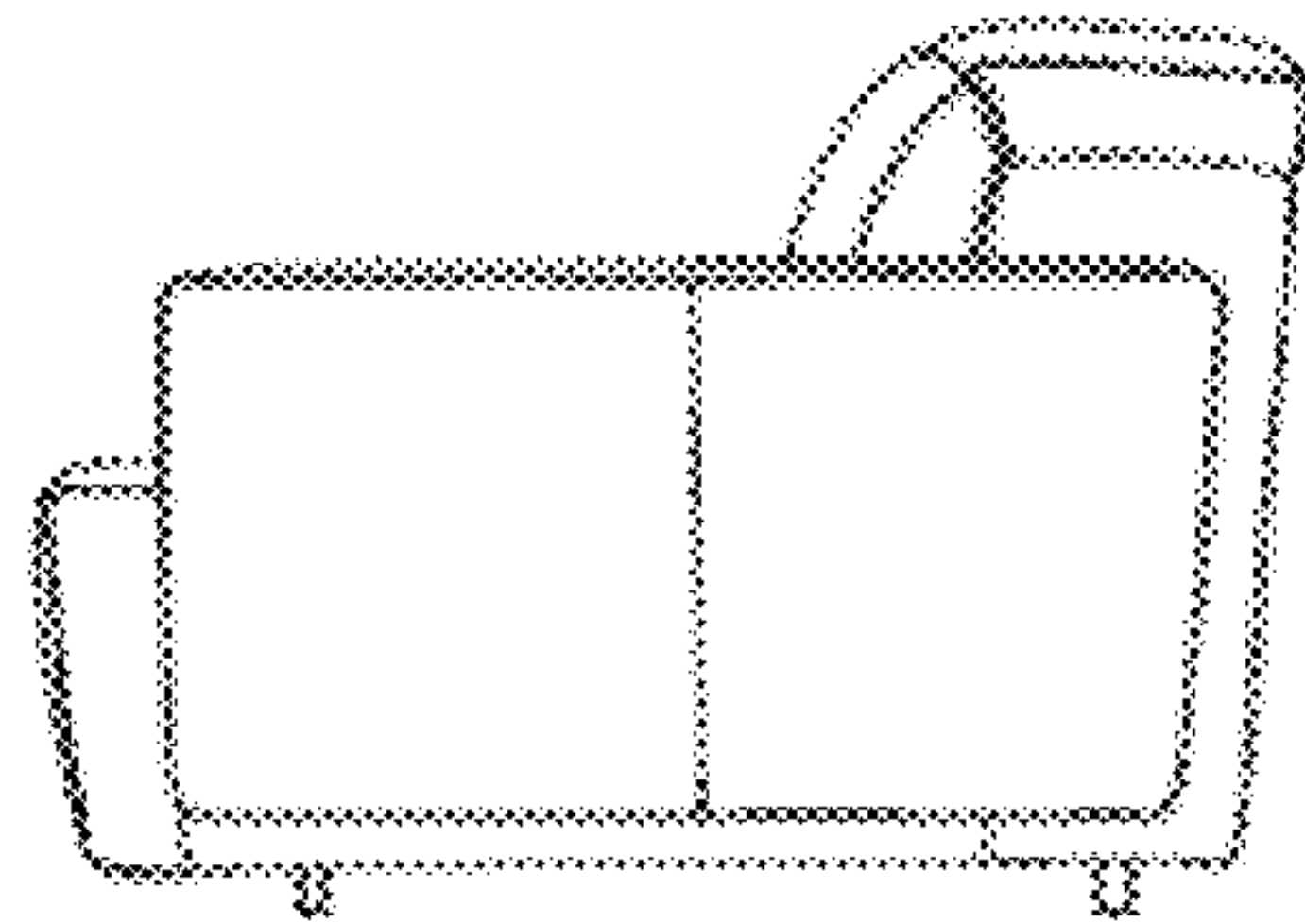
2.2



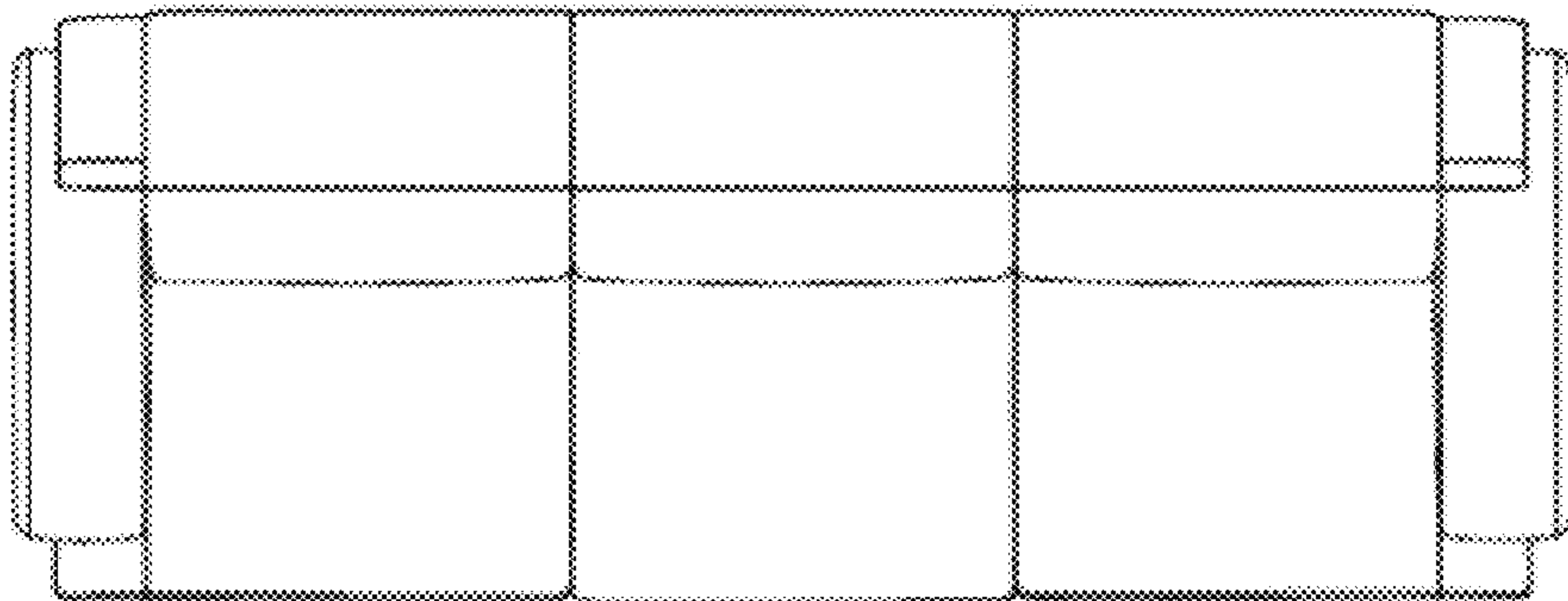
2.3



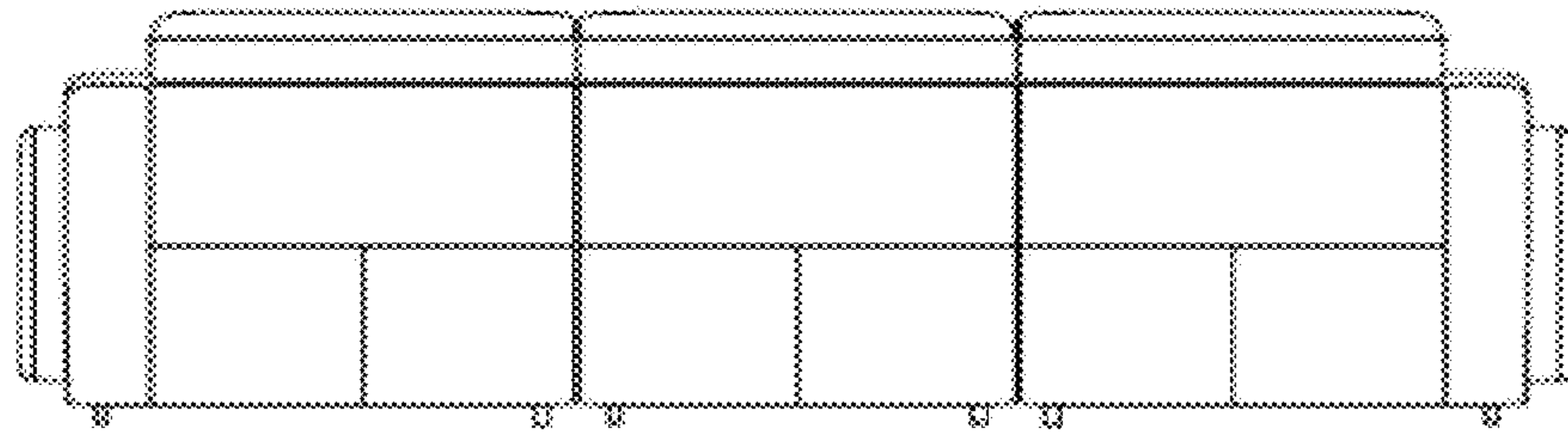
2.4



2.5



2.6



2.7

