



US00D826588S

(12) **United States Design Patent** (10) **Patent No.:** **US D826,588 S**
Barrell (45) **Date of Patent:** **** Aug. 28, 2018**

(54) **SEAT**
(71) Applicant: **Boss Design Limited**, Dudley, West Midlands (GB)
(72) Inventor: **Mark Barrell**, Dudley (GB)
(73) Assignee: **Boss Design Limited** (GB)
(**) Term: **15 Years**

D498,064 S 11/2004 Gomez
D498,075 S 11/2004 Mourgue
D572,932 S * 7/2008 van Ierssel D6/378
D652,225 S 1/2012 Andersen
D655,935 S 3/2012 Sempe
D655,936 S 3/2012 Sempe
D698,169 S 1/2014 Caldwell
D699,464 S 2/2014 Andersen
D699,963 S * 2/2014 Hidalgo D6/381
D721,242 S 1/2015 Sonmez
D798,627 S 10/2017 Rockwell et al.
D814,823 S * 4/2018 Barrell D6/381

(21) Appl. No.: **29/573,918**
(22) Filed: **Aug. 10, 2016**

(30) **Foreign Application Priority Data**

Feb. 11, 2016 (EM) 002982785-0002

(51) **LOC (11) Cl.** **06-01**

(52) **U.S. Cl.**
USPC **D6/381; D6/378**

(58) **Field of Classification Search**
USPC D6/334, 335, 336, 360, 361, 367, 368,
D6/371-375, 379-381, 716, 716.1-716.8
CPC A47C 7/00; A47C 7/62; A47C 7/18; A47C
7/54; A47C 4/00; A47C 4/028; A47C
4/28; A47C 3/16; A47C 3/04; A47C 3/12;
A47C 1/02; A47C 1/14
See application file for complete search history.

(56) **References Cited**

U.S. PATENT DOCUMENTS

D181,738 S * 12/1957 Lubberts et al. D3/272
D188,489 S 8/1960 Otto
D290,559 S * 6/1987 Raftery D6/378
D307,219 S 4/1990 Provencher
D405,972 S 2/1999 Maly
D455,281 S 4/2002 Andersen et al.
D455,282 S 4/2002 Andersen et al.

OTHER PUBLICATIONS

U.S. Appl. No. 29/573,917, filed Aug. 10, 2016, Mark Barrell.

* cited by examiner

Primary Examiner — Deanna L Pratt

(74) *Attorney, Agent, or Firm* — Goodwin Procter LLP

(57) **CLAIM**

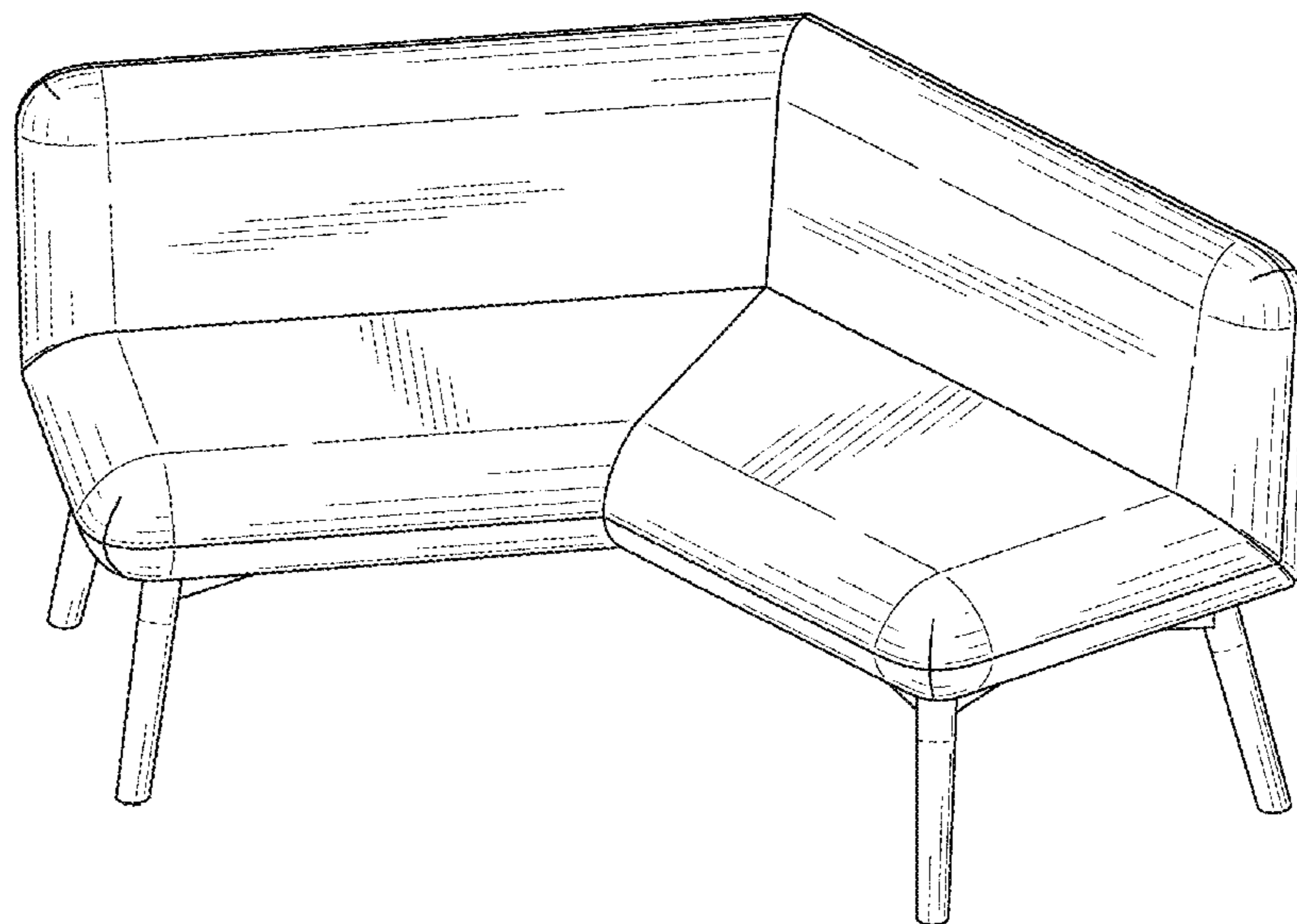
The ornamental design for a seat, as shown and described.

DESCRIPTION

FIG. 1 is a front and top perspective view of a seat;
FIG. 2 is a front view of the seat of FIG. 1;
FIG. 3 is a rear view of the seat of FIG. 1;
FIG. 4 is a right side view of the seat of FIG. 1;
FIG. 5 is a left side view of the seat of FIG. 1;
FIG. 6 is a top view of the seat of FIG. 1;
FIG. 7 is a bottom view of the seat of FIG. 1; and,
FIG. 8 is a rear and bottom perspective view of the seat of FIG. 1.

The broken lines shown throughout the views represent the portions of the seat which form no part of the claimed design.

1 Claim, 6 Drawing Sheets



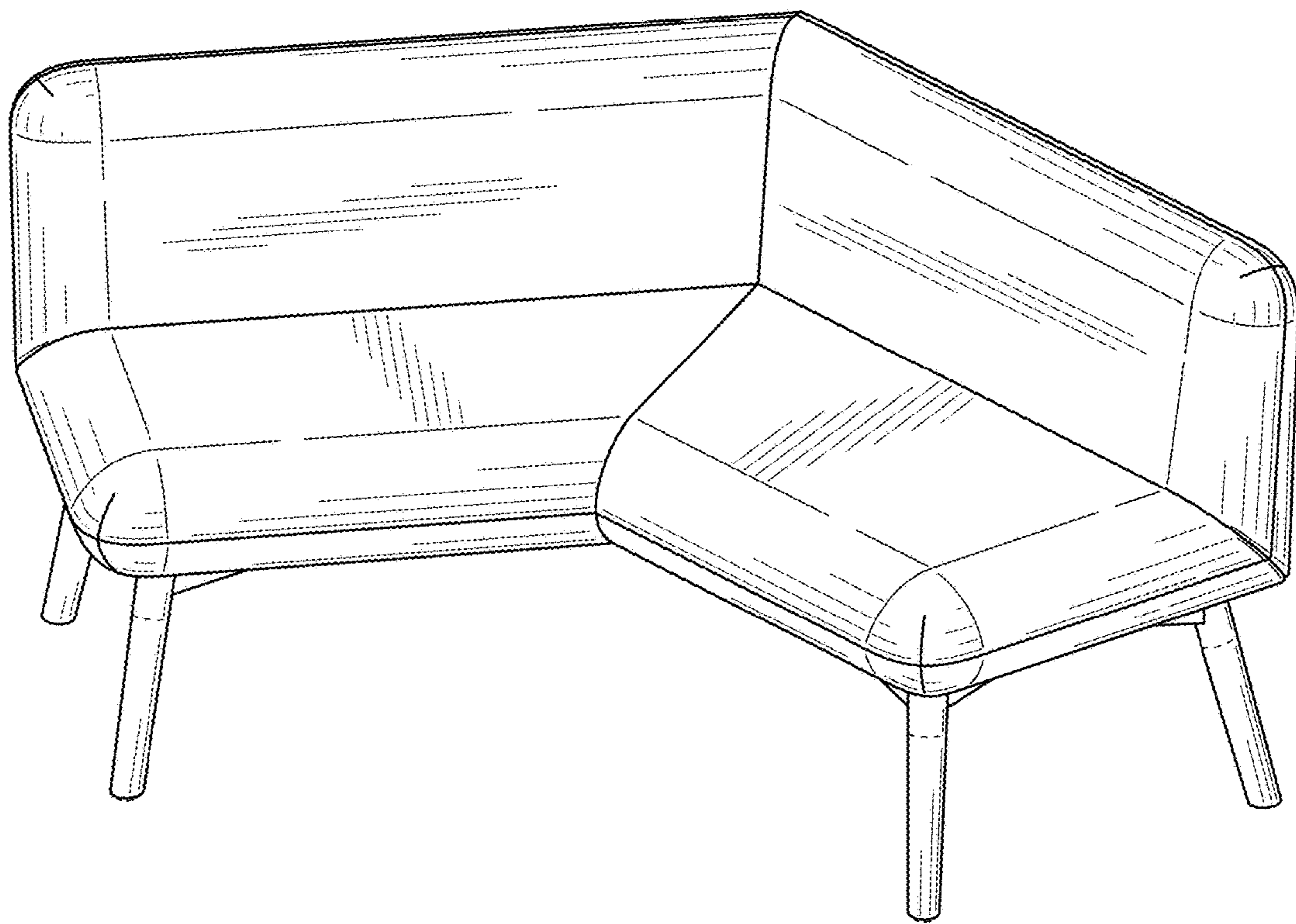


FIG. 1

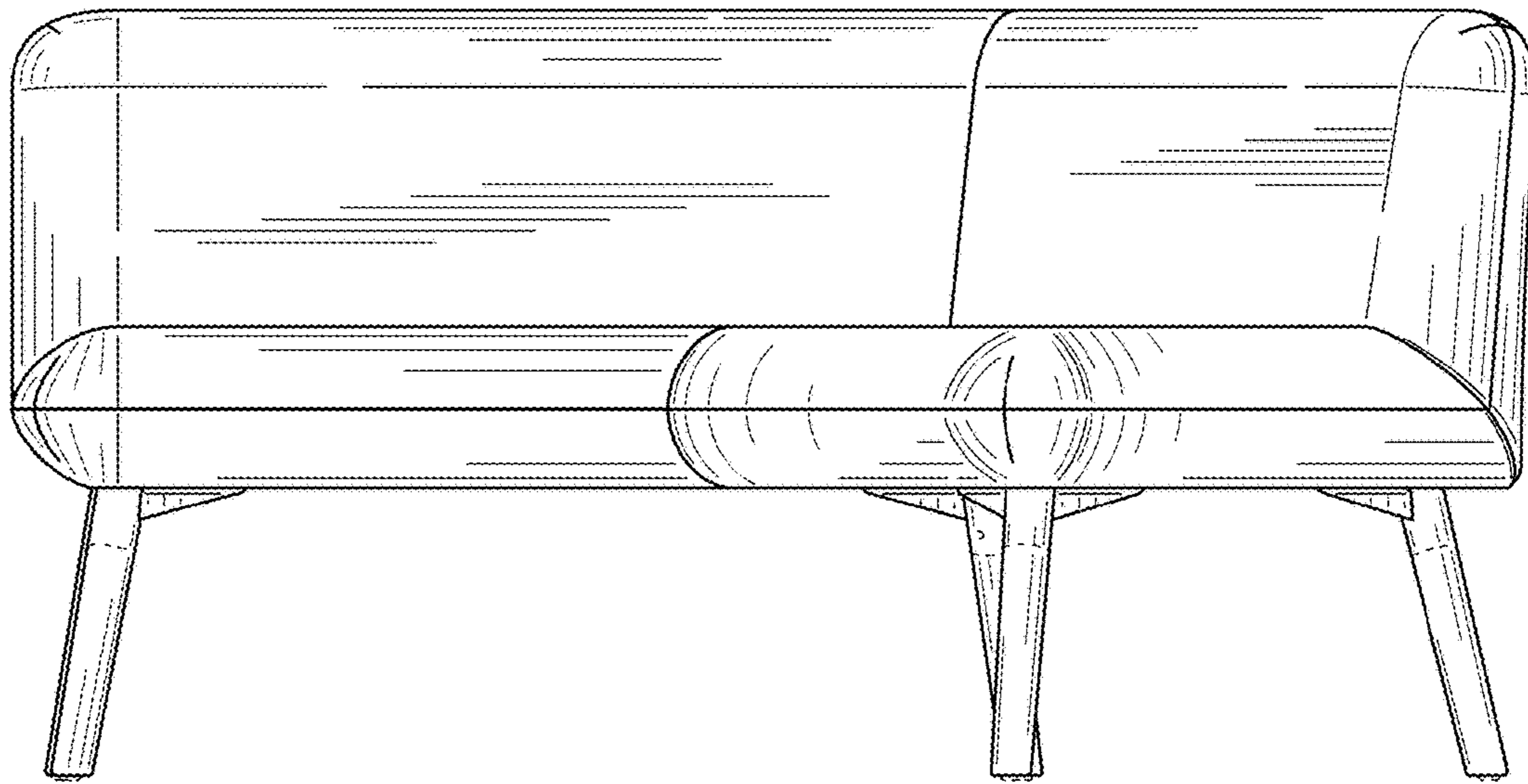


FIG. 2

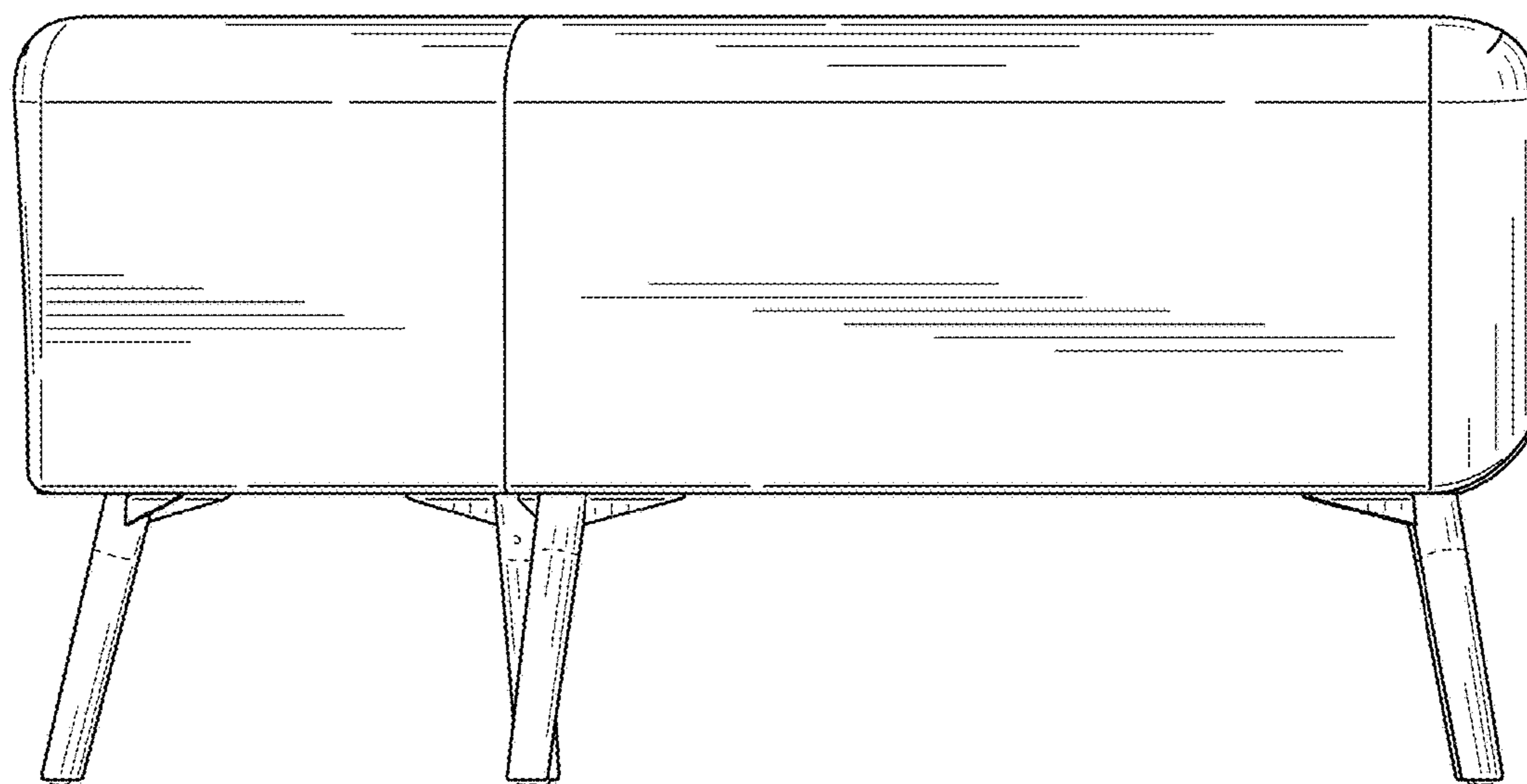


FIG. 3

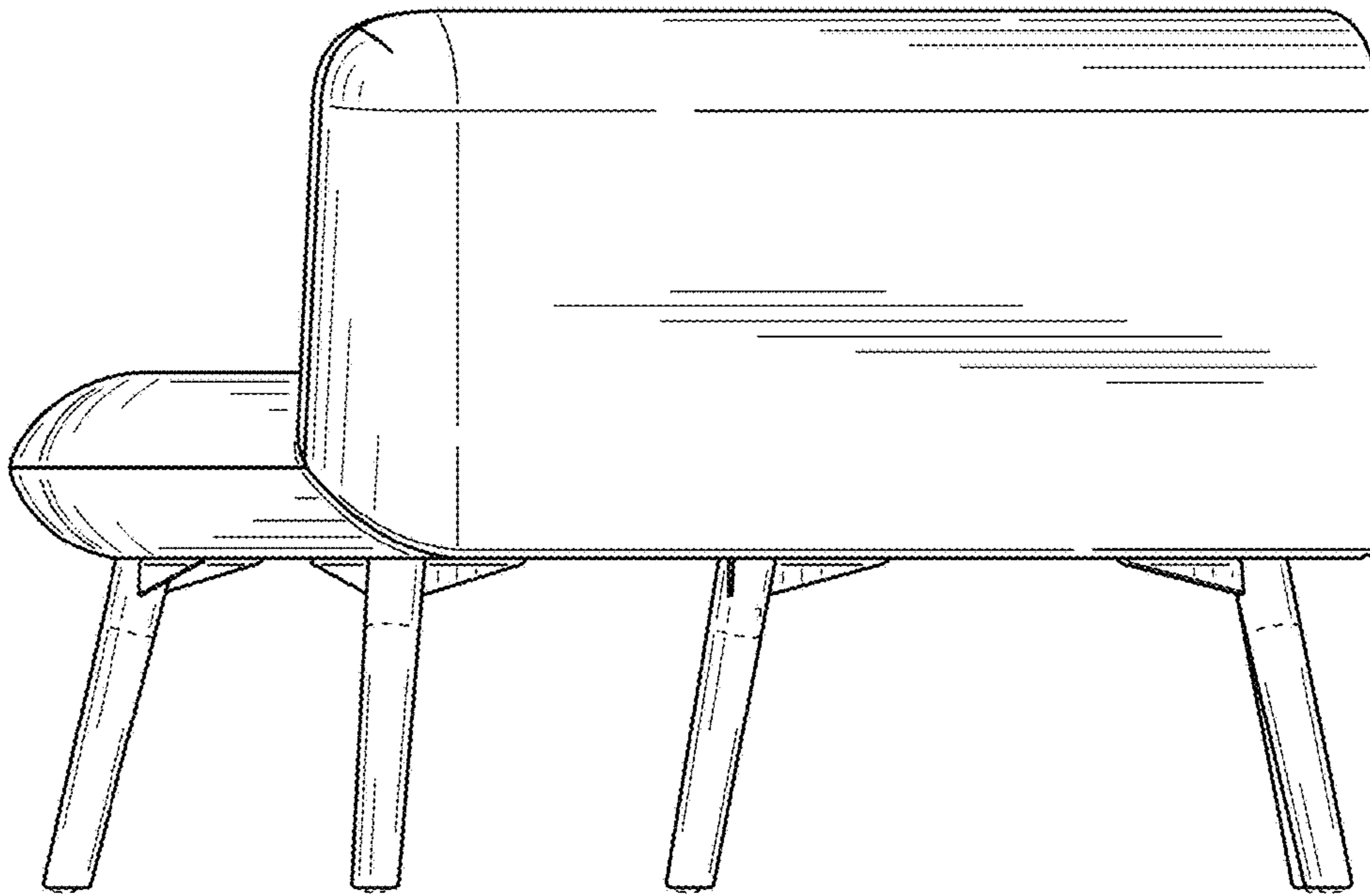


FIG. 4

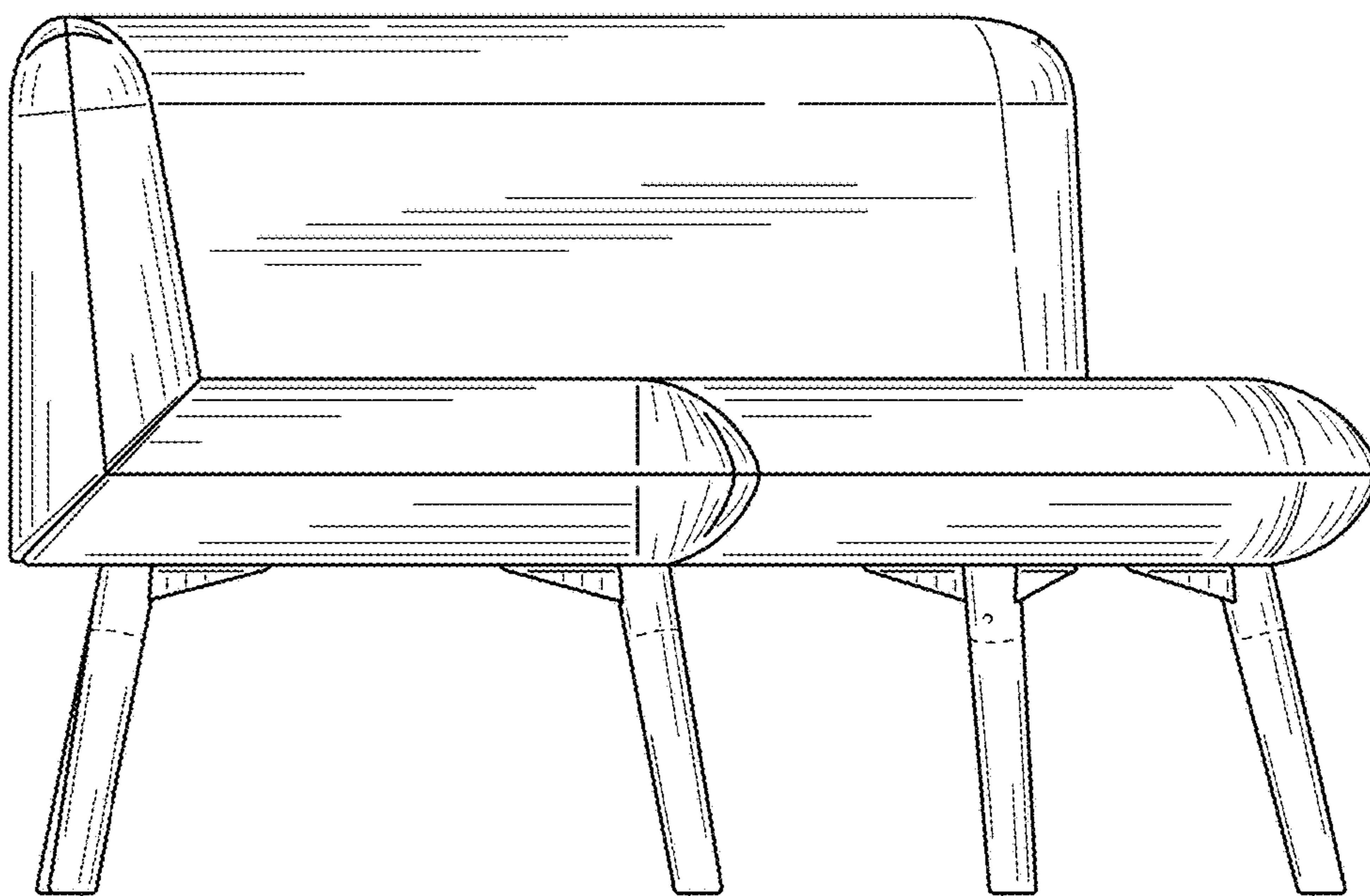


FIG. 5

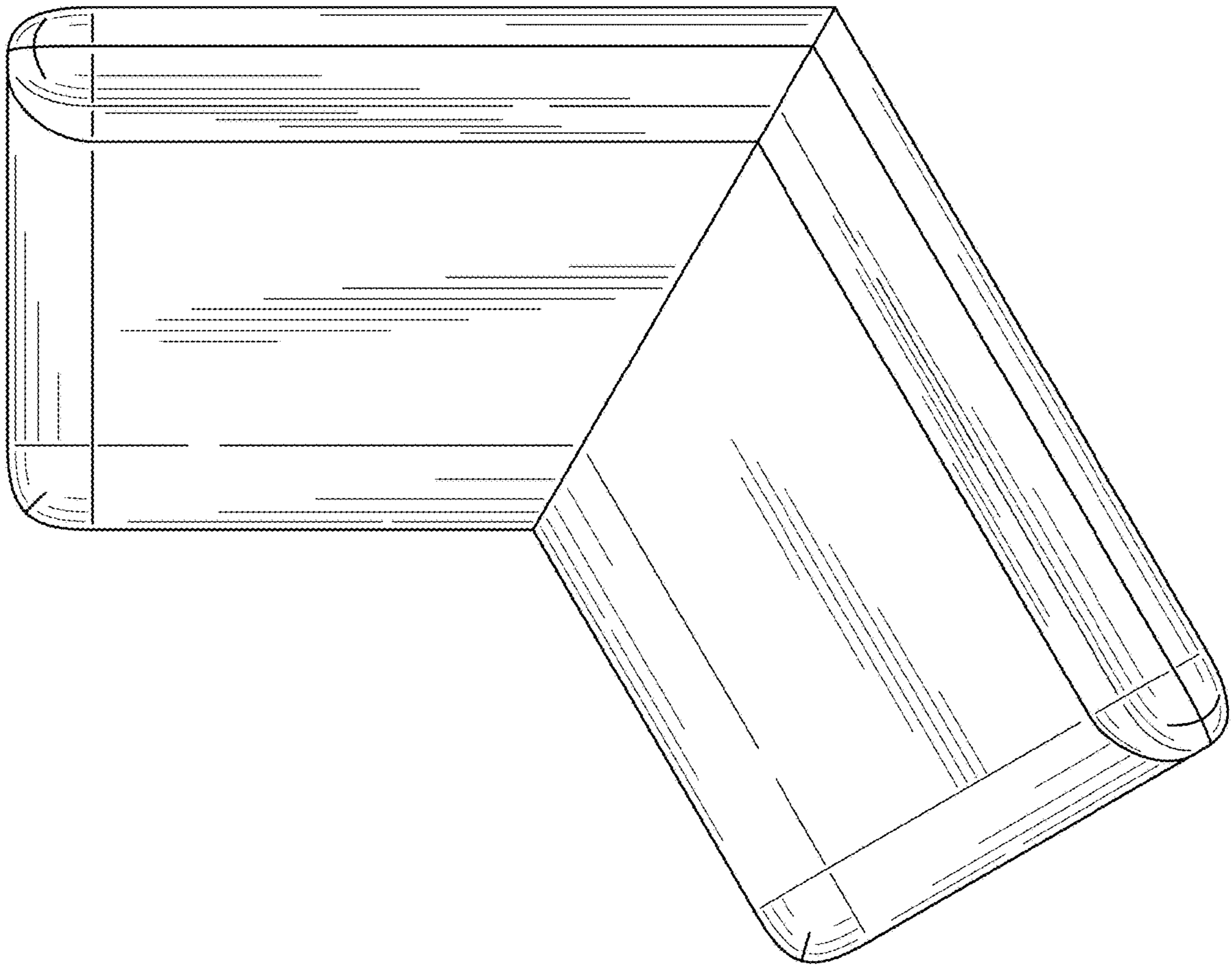


FIG. 6

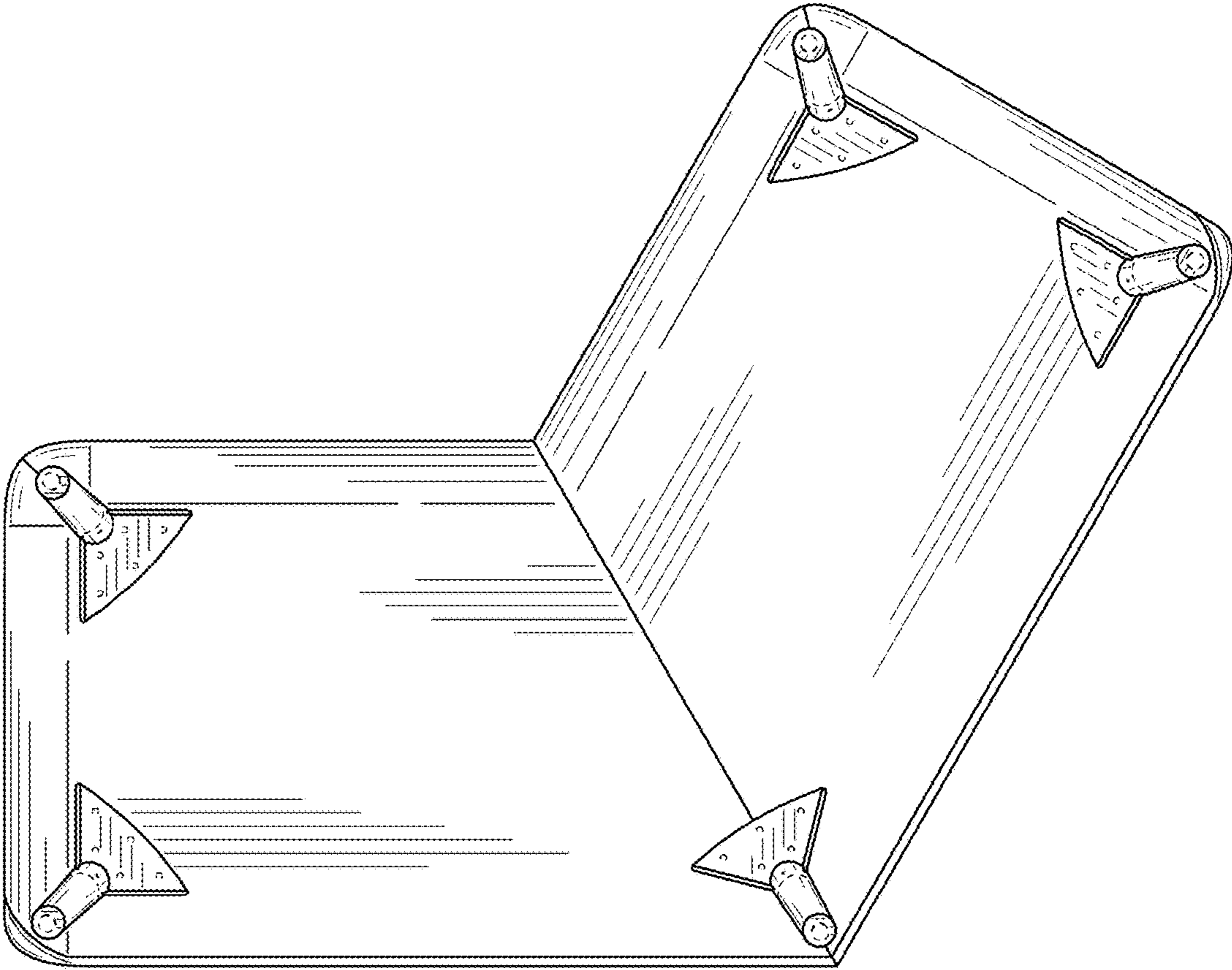


FIG. 7

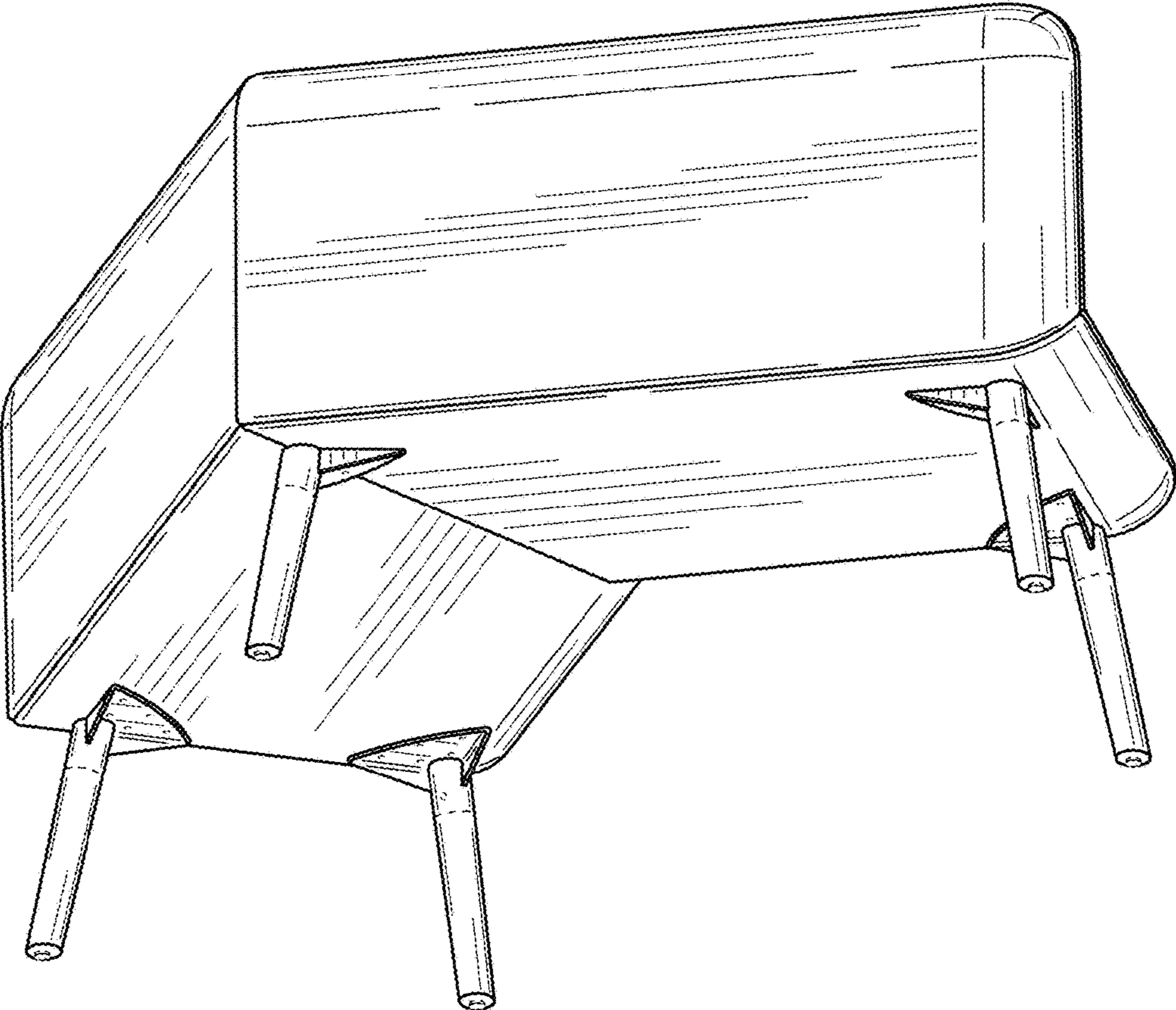


FIG. 8