



US00D826585S

(12) **United States Design Patent** (10) **Patent No.:** **US D826,585 S**
Kuo (45) **Date of Patent:** **** Aug. 28, 2018**

(54) **BABY CHAIR**

(71) Applicant: **B & B BEST INDUSTRIAL CO., LTD.**, Taipei (TW)

(72) Inventor: **Shih-Cheh Kuo**, Taipei (TW)

(73) Assignee: **B & B Best Industrial Co., Ltd.**, Taipei (TW)

(**) Term: **15 Years**

(21) Appl. No.: **29/613,001**

(22) Filed: **Aug. 7, 2017**

(51) **LOC (11) Cl.** **06-01**

(52) **U.S. Cl.**
USPC **D6/339**

(58) **Field of Classification Search**
USPC D6/334-336, 338-339, 491, 333, 716, D6/716.1-716.7; D12/129; D21/412, D21/419; 280/30-31; 5/94, 98.1, 99.1, 5/101, 105, 655; 297/183.1-183.4, 297/184.13, 184.15, 184.17, 250.1, 256.1, 297/255, 256.15, 256.16, 174 R, 174 CS, 297/170-173, 136, 148, 27, 61, 68; 4/572.1
CPC B60N 2/2821; B60N 2/02; B60N 2/10; B60N 2/16; B60N 2/22; B60N 2/26; B60N 2002/0212; B60N 2002/0216; B60N 2002/022; A47D 13/02; A47D 13/083; A47D 1/00; A47D 1/002; A47D 1/004; A47D 1/008; A47D 1/04
See application file for complete search history.

(56) **References Cited**

U.S. PATENT DOCUMENTS

D330,842 S * 11/1992 Meeker D6/333
D356,689 S * 3/1995 Mariol D6/333
D364,746 S * 12/1995 Lerner D6/333
D367,368 S * 2/1996 Drane D6/333
D383,911 S * 9/1997 Conforti D6/333

D419,311 S * 1/2000 Maggeni D6/333
D424,312 S * 5/2000 Hotaling D6/333
D704,461 S * 5/2014 Maurer D6/339
D704,940 S * 5/2014 Maurer D6/339

* cited by examiner

Primary Examiner — Abraham Bahta

(74) *Attorney, Agent, or Firm* — Alan D. Kamrath; Kamrath IP Lawfirm, P.A.

(57) **CLAIM**

The ornamental design for a baby chair, as shown and described.

DESCRIPTION

FIG. 1 is a perspective view of a baby chair showing my new design;

FIG. 2 is another perspective view thereof;

FIG. 3 is still another perspective view thereof;

FIG. 4 is a front view thereof;

FIG. 5 is a rear view thereof;

FIG. 6 is a left side view thereof;

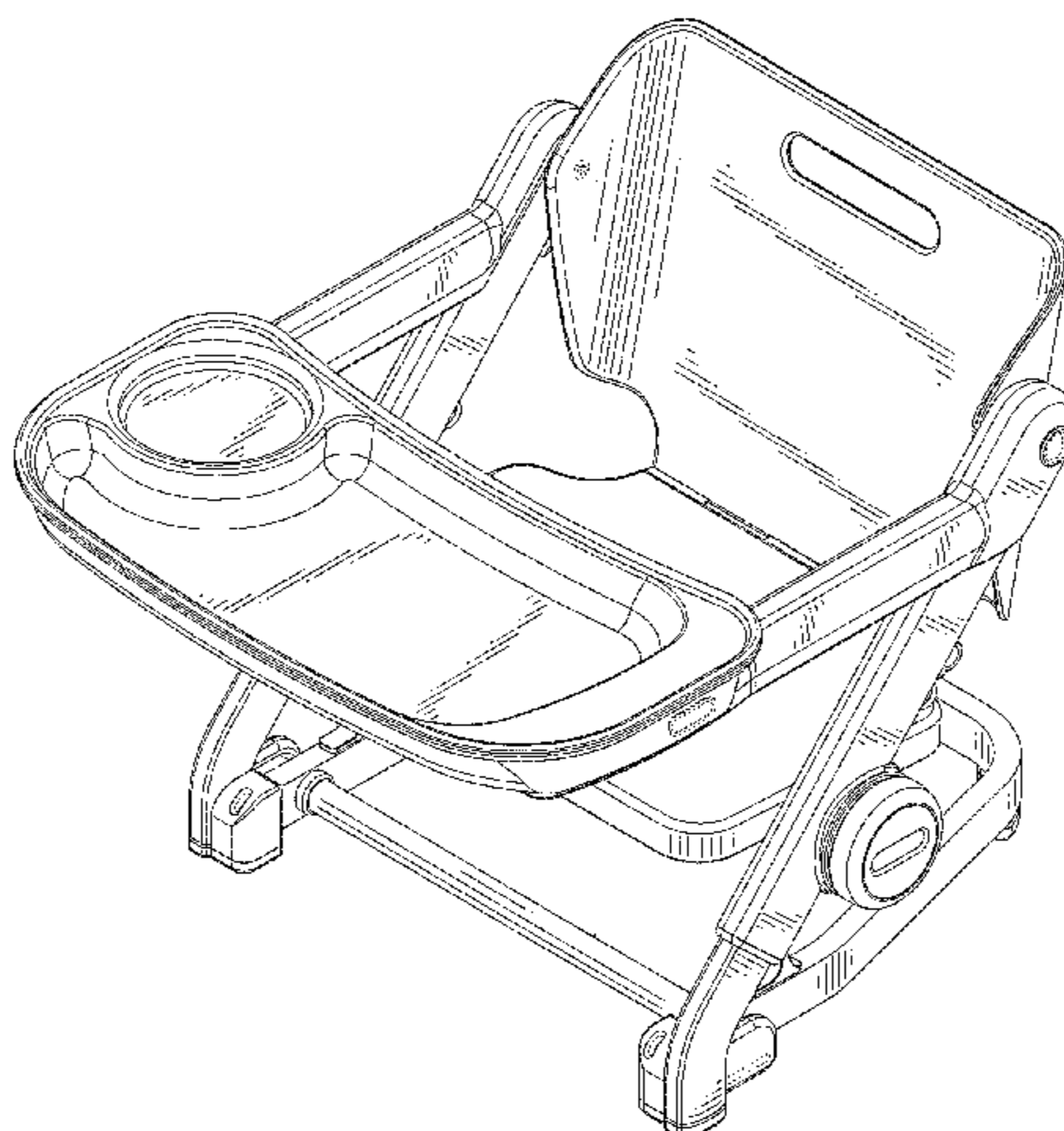
FIG. 7 is a right side view thereof;

FIG. 8 is a top view thereof; and,

FIG. 9 is a bottom view thereof.

The portions of the figures shown in broken lines depict environmental subject matter, are for illustration only and form no part of the claimed design.

1 Claim, 9 Drawing Sheets



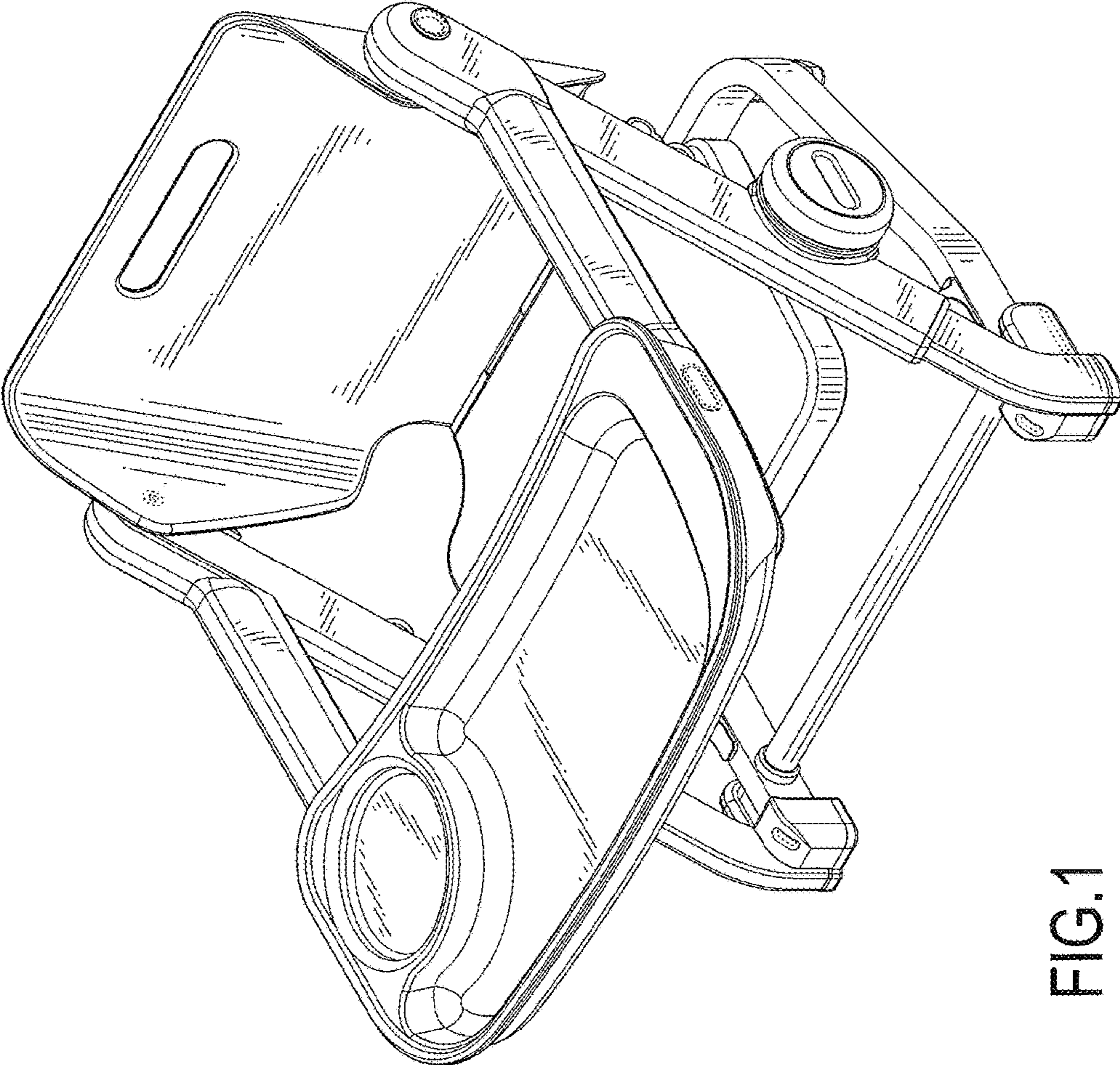


FIG.1

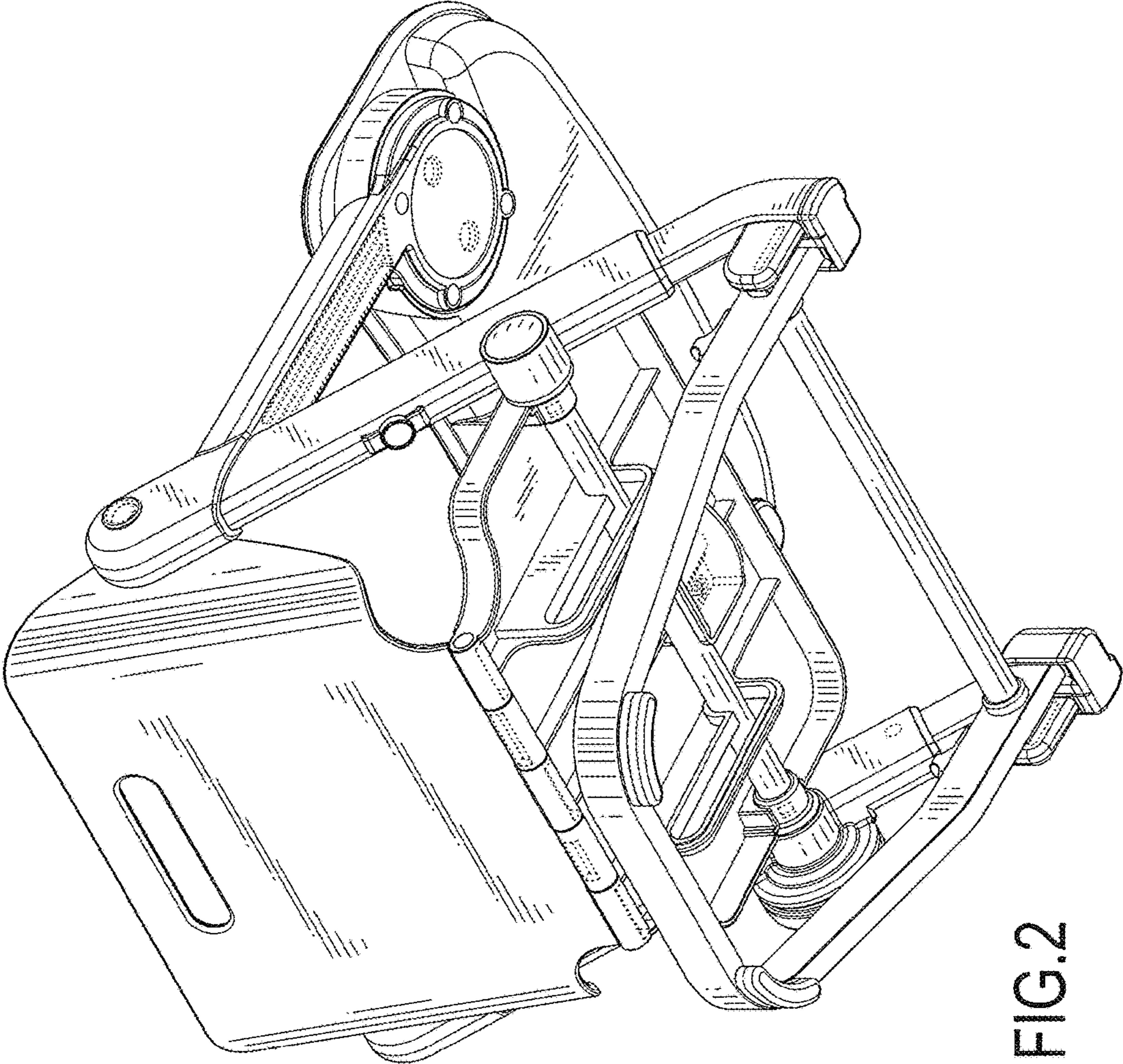


FIG. 2

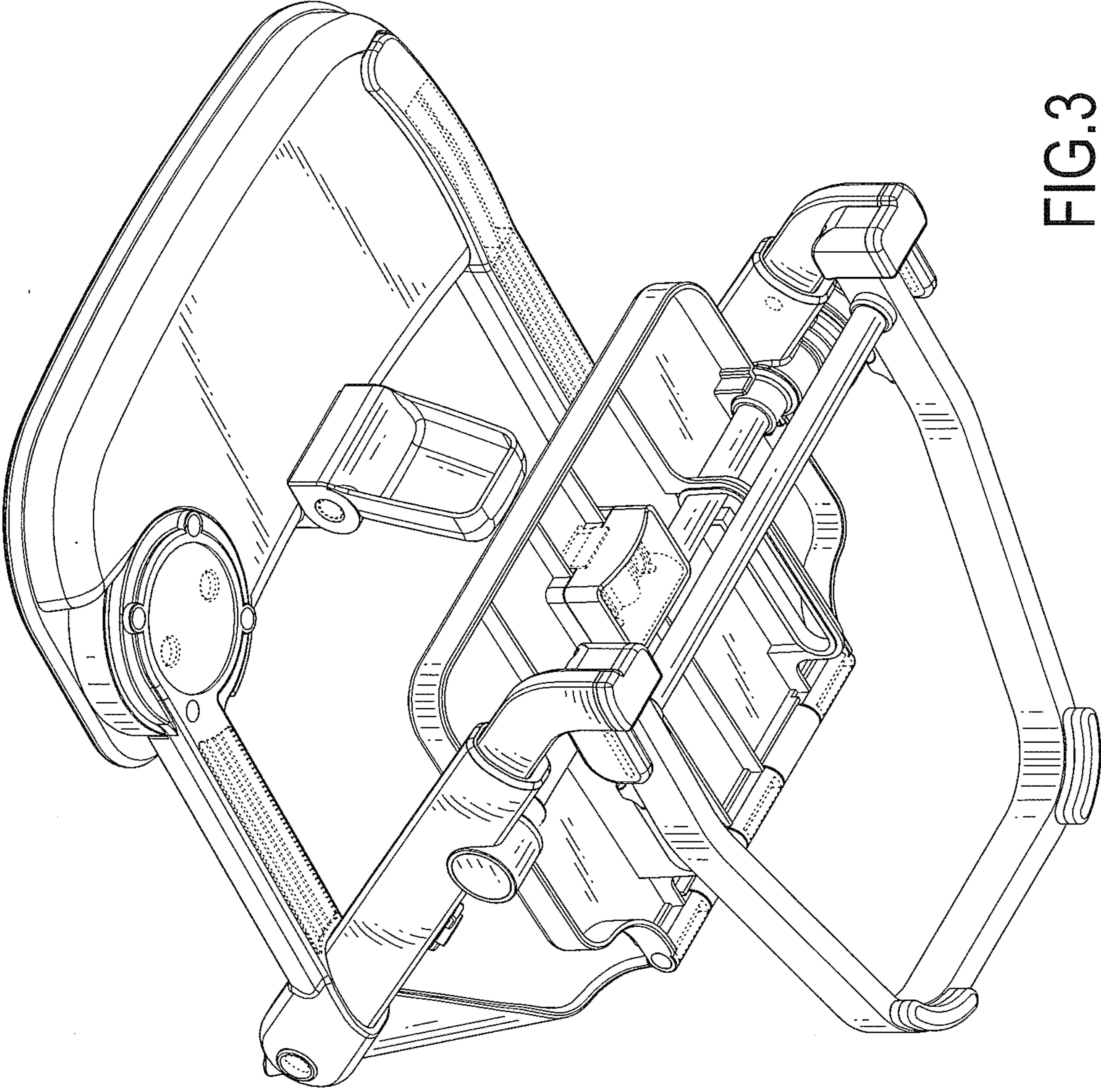


FIG.3

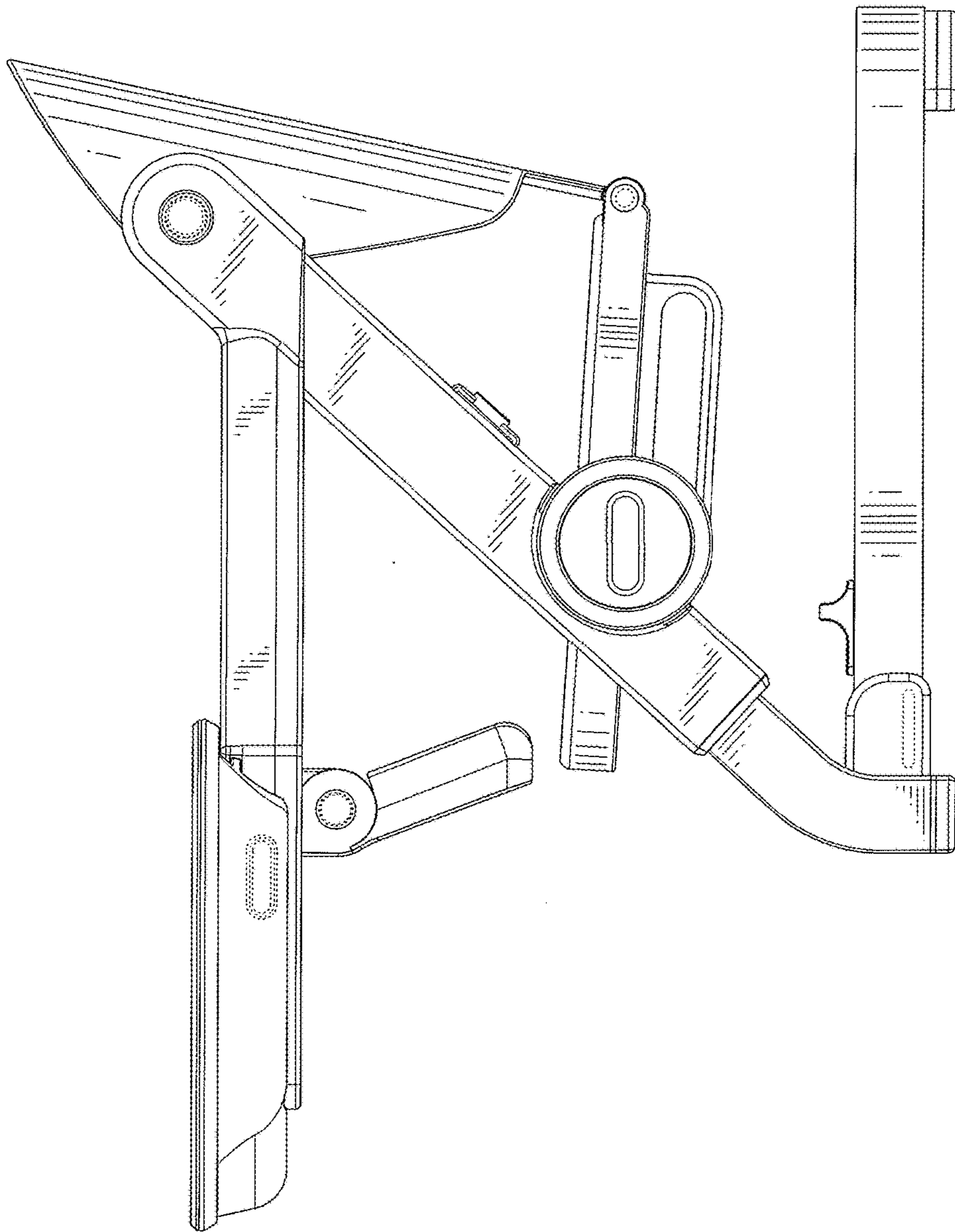


FIG.4

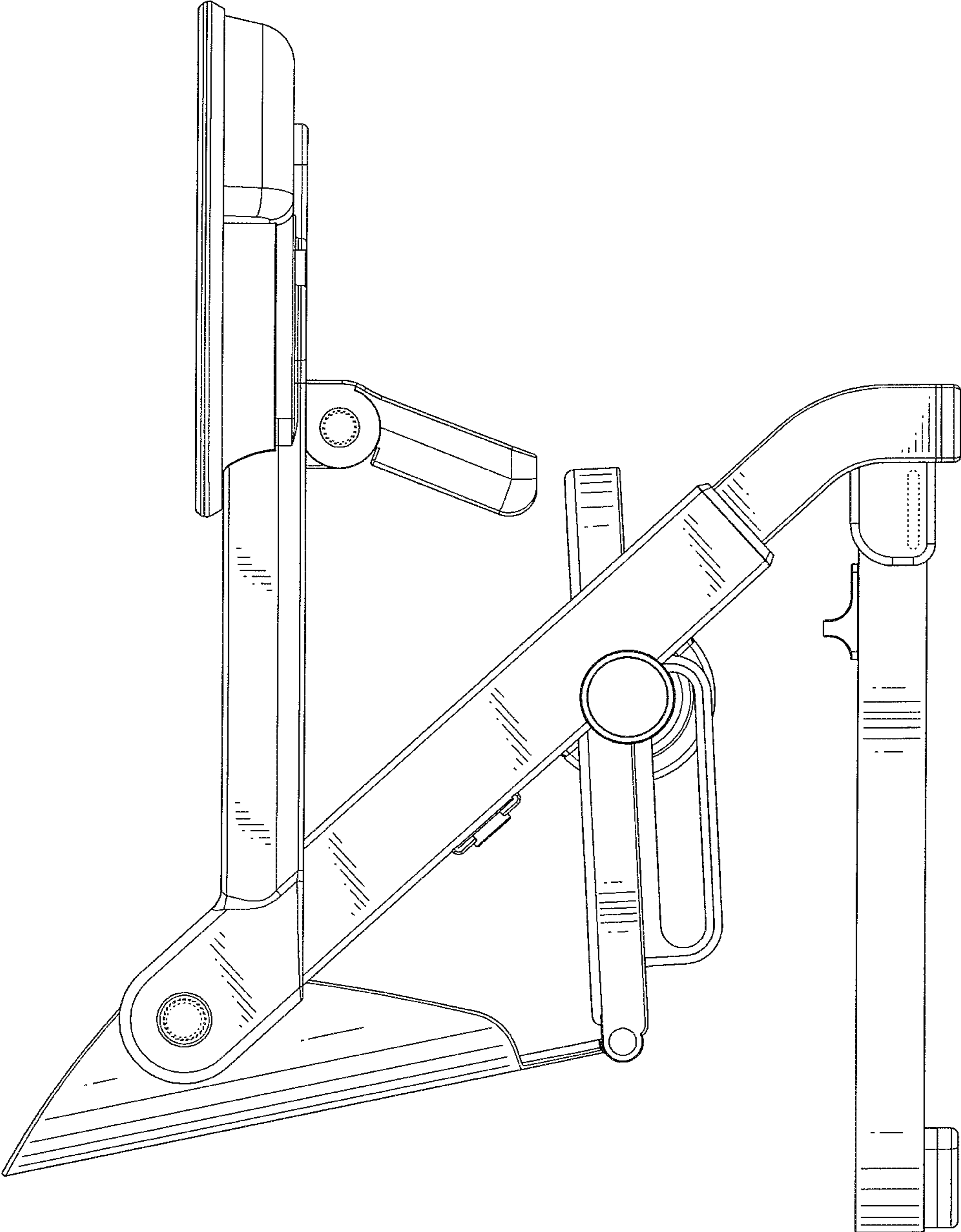


FIG.5

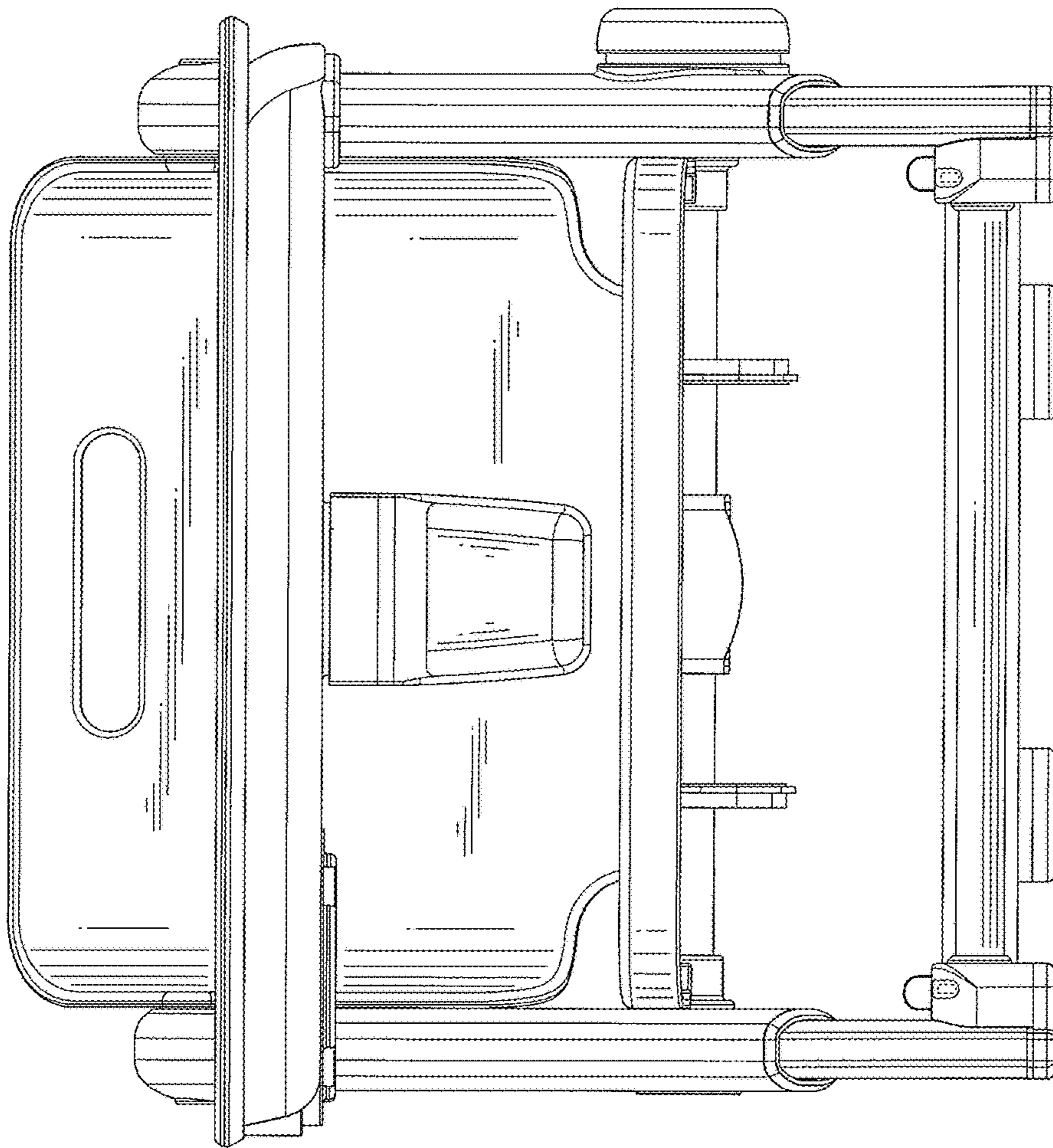


FIG.6

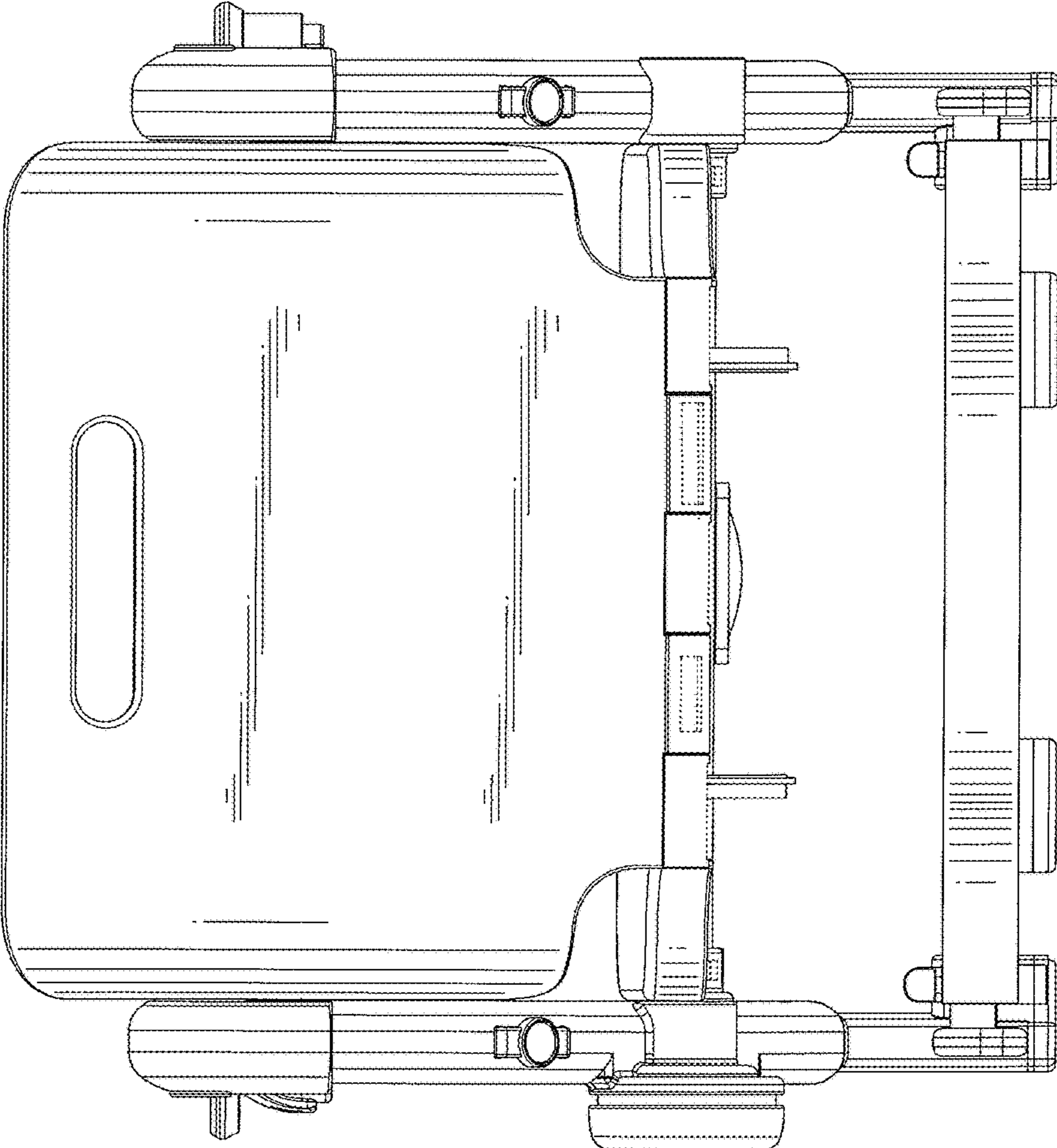


FIG. 7

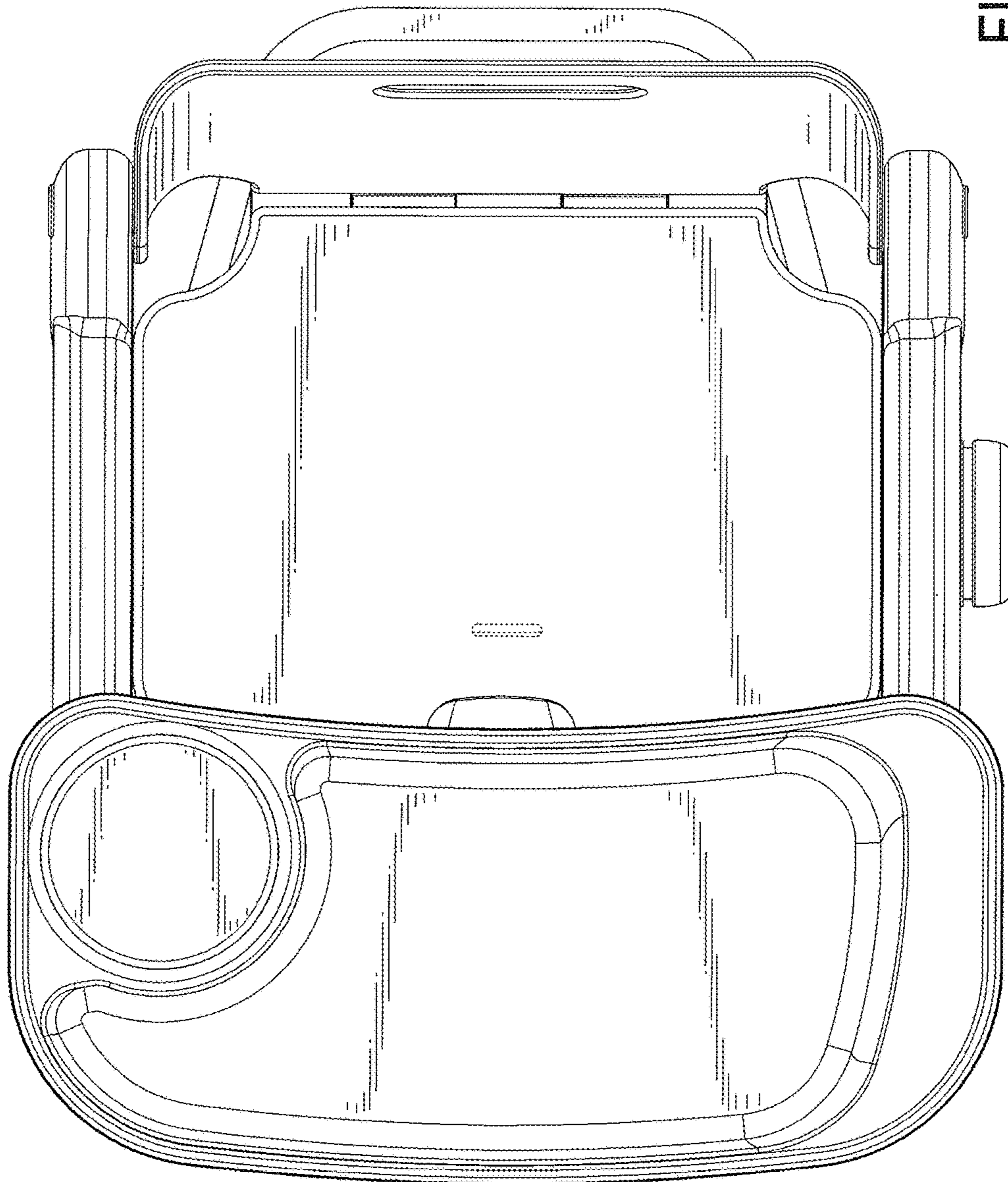


FIG.8

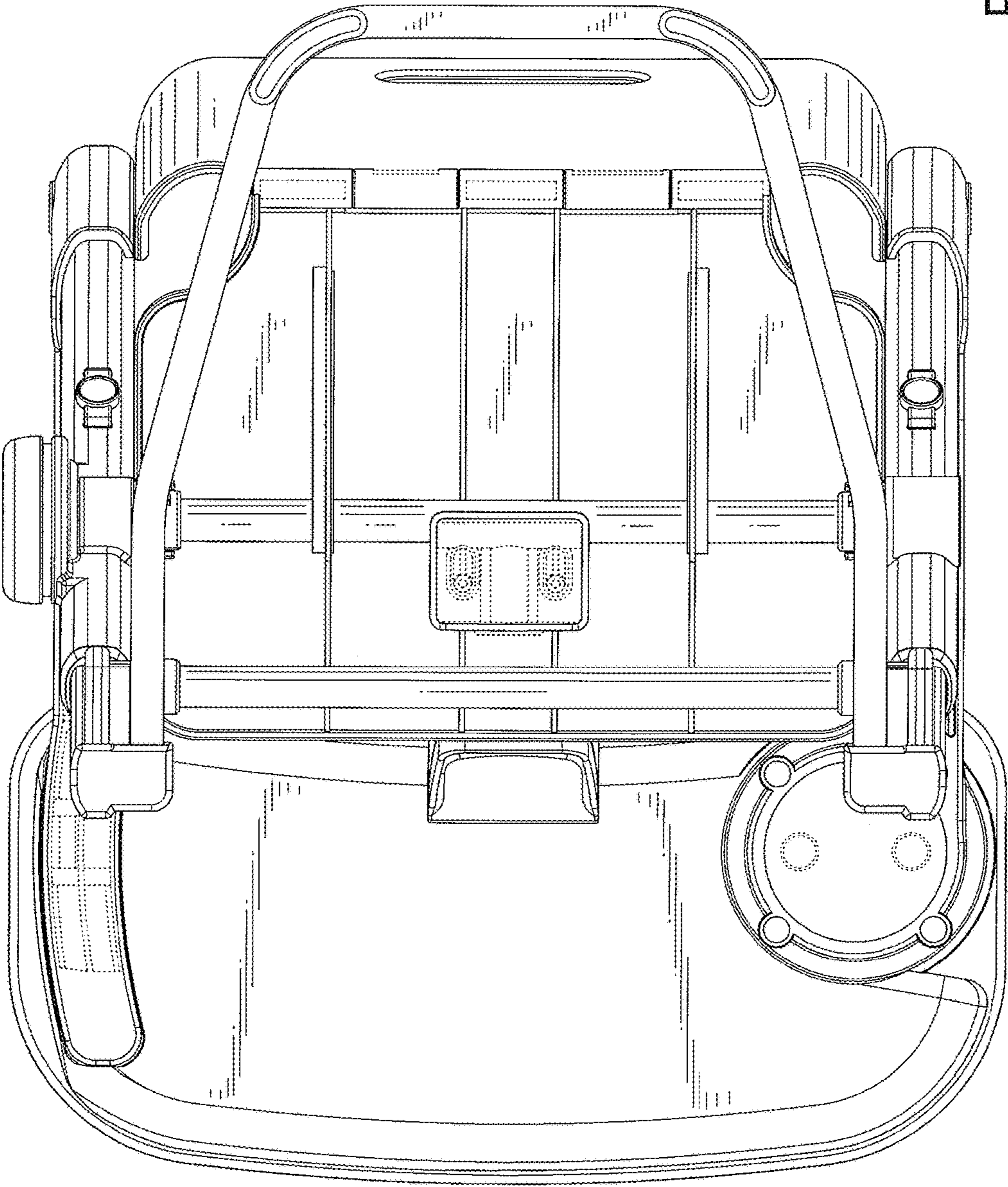


FIG.9