



US00D826574S

(12) **United States Design Patent** (10) **Patent No.:** **US D826,574 S**
York (45) **Date of Patent:** **** Aug. 28, 2018**

(54) **HAIR BRUSH SLEEVE**
(71) Applicant: **Thomas Kent York**, Taipei (TW)
(72) Inventor: **Thomas Kent York**, Taipei (TW)
(**) Term: **15 Years**
(21) Appl. No.: **29/591,995**
(22) Filed: **Jan. 25, 2017**
(51) **LOC (11) Cl.** **04-99**
(52) **U.S. Cl.**
USPC **D4/138**
(58) **Field of Classification Search**
USPC D4/113, 166, 117, 121, 138, 199;
D8/106, 172, 202; D6/536, 545, 551,
D6/556; D27/111, 172, 186; D28/35,
D28/38, 99; D9/702, 711, 708, 715, 718,
D9/434, 443; 15/184, 246, 249.1, 247;
206/361, 362.1, 362.2
CPC A46B 17/00; A46B 17/04; A46B 17/08;
A46B 5/00; A61C 19/02
See application file for complete search history.

(56) **References Cited**
U.S. PATENT DOCUMENTS
D144,275 S * 3/1946 Vandeventer 15/184
4,294,356 A * 10/1981 Abramowitz A61C 19/02
206/316.1
D283,734 S * 5/1986 Parren D27/153
D286,952 S * 12/1986 Leroux D4/136
D385,705 S * 11/1997 Seifert D28/38
D391,019 S * 2/1998 Seifert D28/35

D393,167 S * 4/1998 Bussa D4/116
D500,618 S * 1/2005 Nagoya D6/551
D617,495 S * 6/2010 LoRe D27/172
D618,390 S * 6/2010 Moore D27/172
D618,391 S * 6/2010 Moore D27/172
D663,892 S * 7/2012 Arcos Bellvehi D27/172
D703,956 S * 5/2014 Treeby D4/116
D760,598 S * 7/2016 White D9/711
D782,326 S * 3/2017 Fath D9/711
2009/0288972 A1* 11/2009 Kayser A46B 17/04
206/362.3

* cited by examiner

Primary Examiner — Wan Laymon
Assistant Examiner — Clint A Samuel
(74) *Attorney, Agent, or Firm* — Che-Yang Chen; Law
Offices of Scott Warmuth

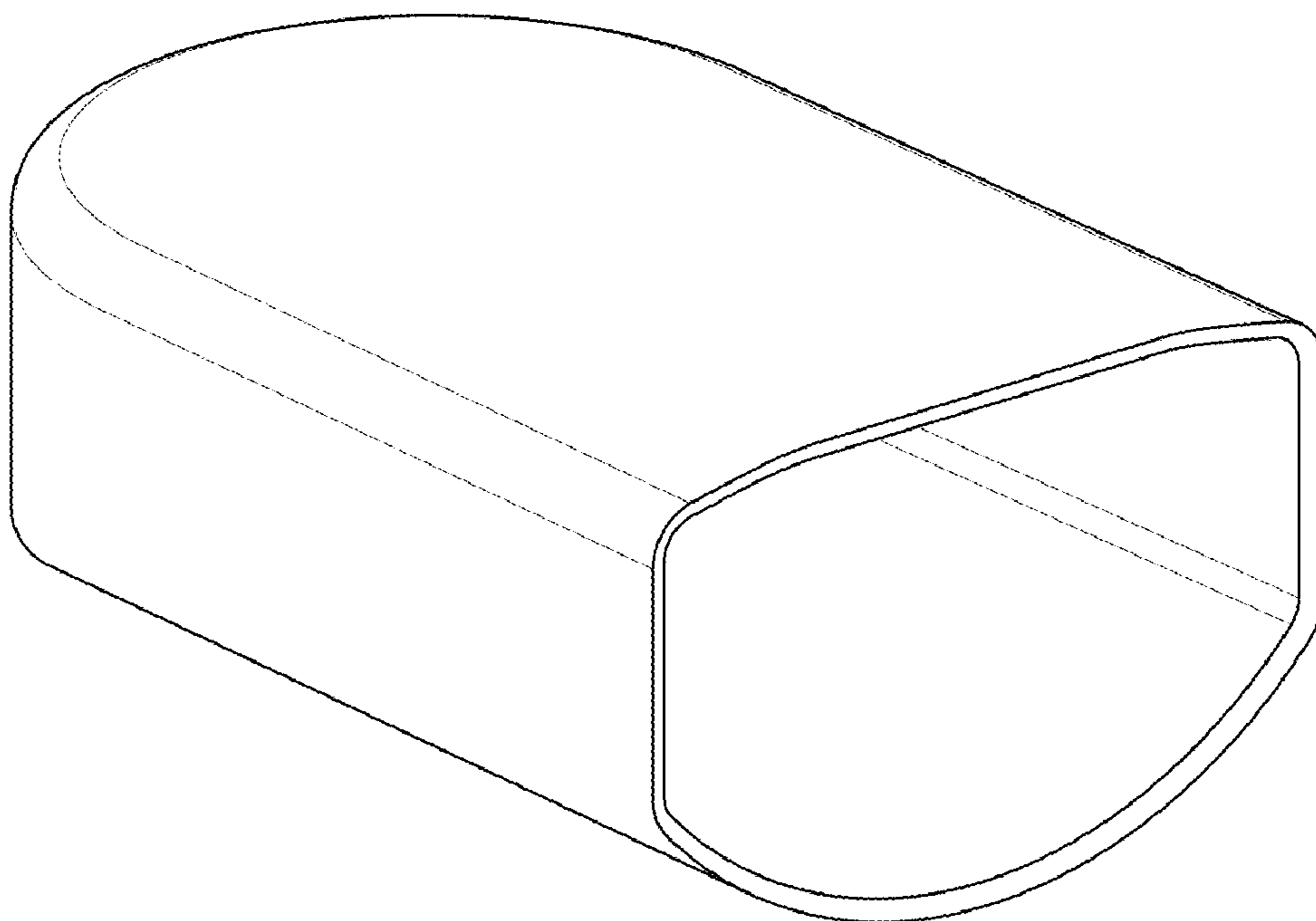
(57) **CLAIM**

The ornamental design for a hair brush sleeve, as shown and described.

DESCRIPTION

FIG. 1 is a perspective view of a hair brush sleeve showing my new design;
FIG. 2 is a front elevational view thereof;
FIG. 3 is a rear elevational view thereof;
FIG. 4 is a left side elevational view thereof;
FIG. 5 is a right side elevational view thereof;
FIG. 6 is a top plan view thereof; and,
FIG. 7 is a bottom plan view thereof.

1 Claim, 7 Drawing Sheets



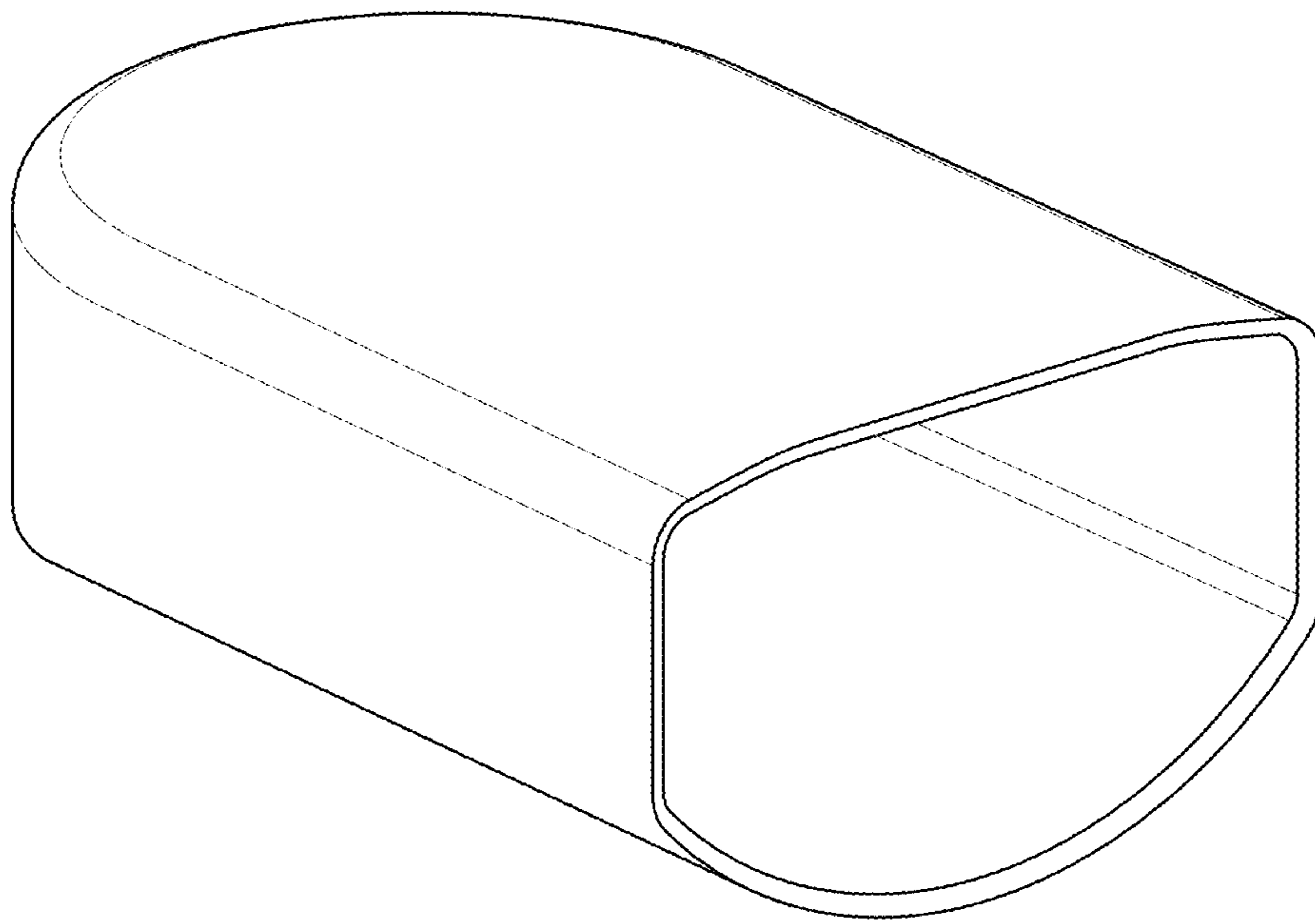


FIG. 1

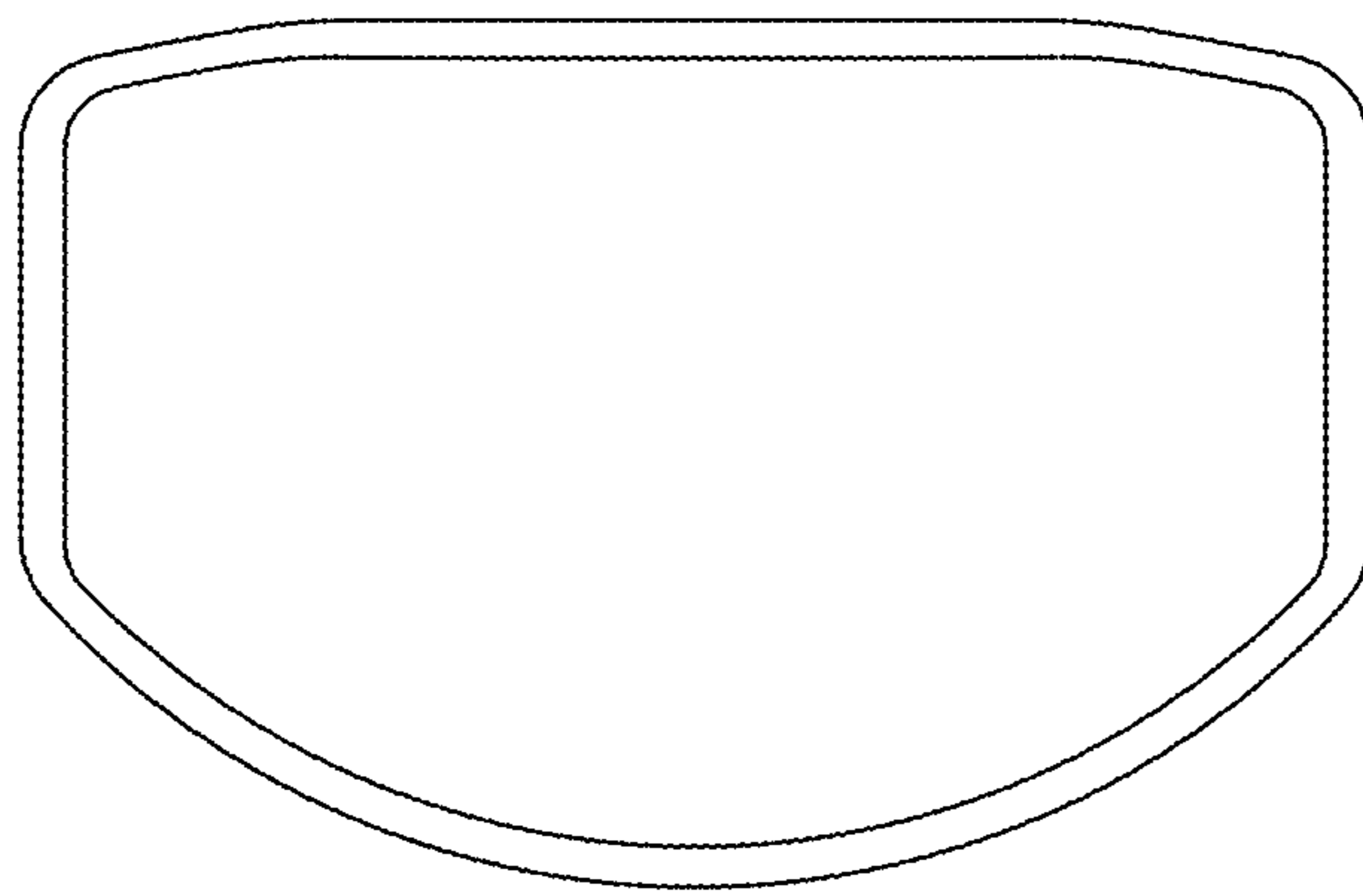


FIG. 2

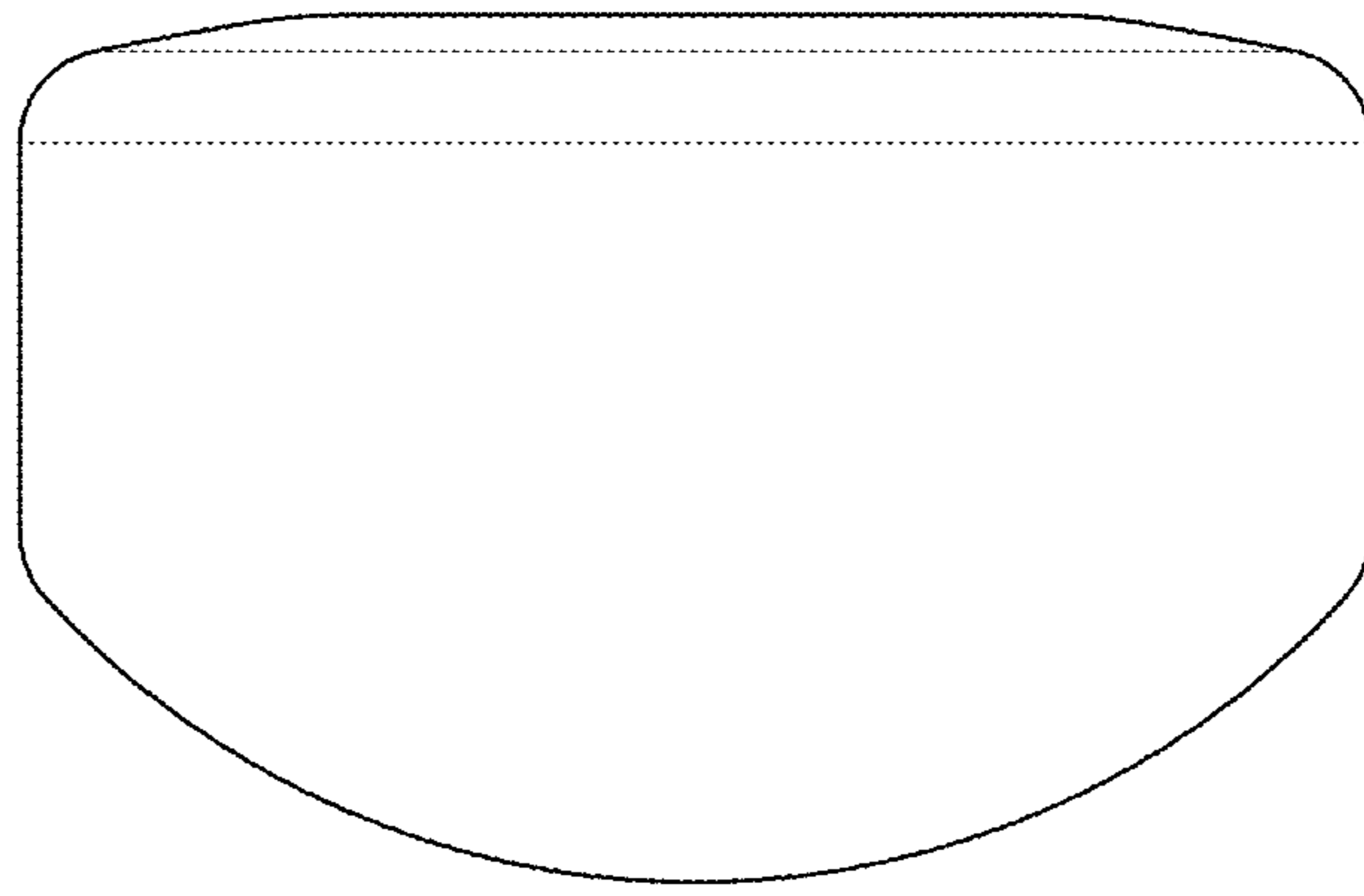


FIG. 3

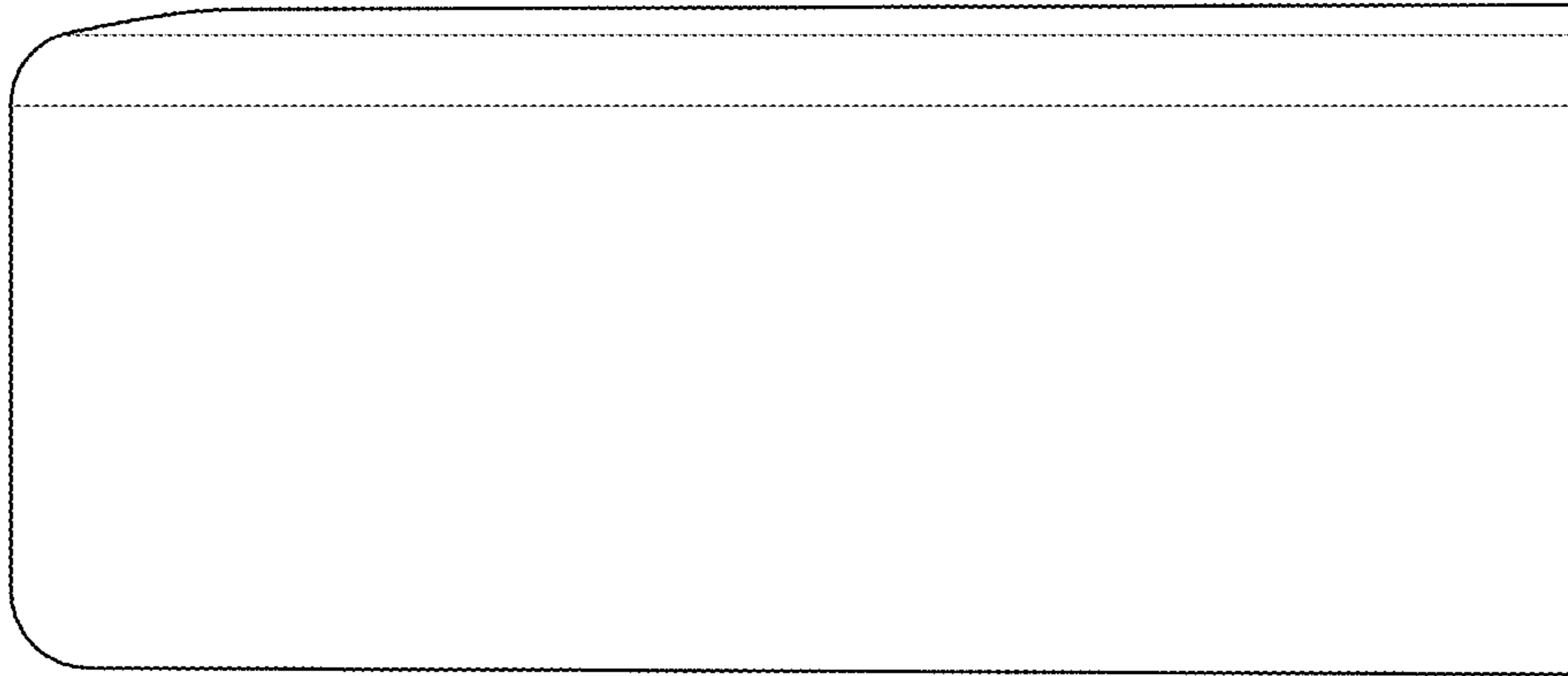


FIG. 4

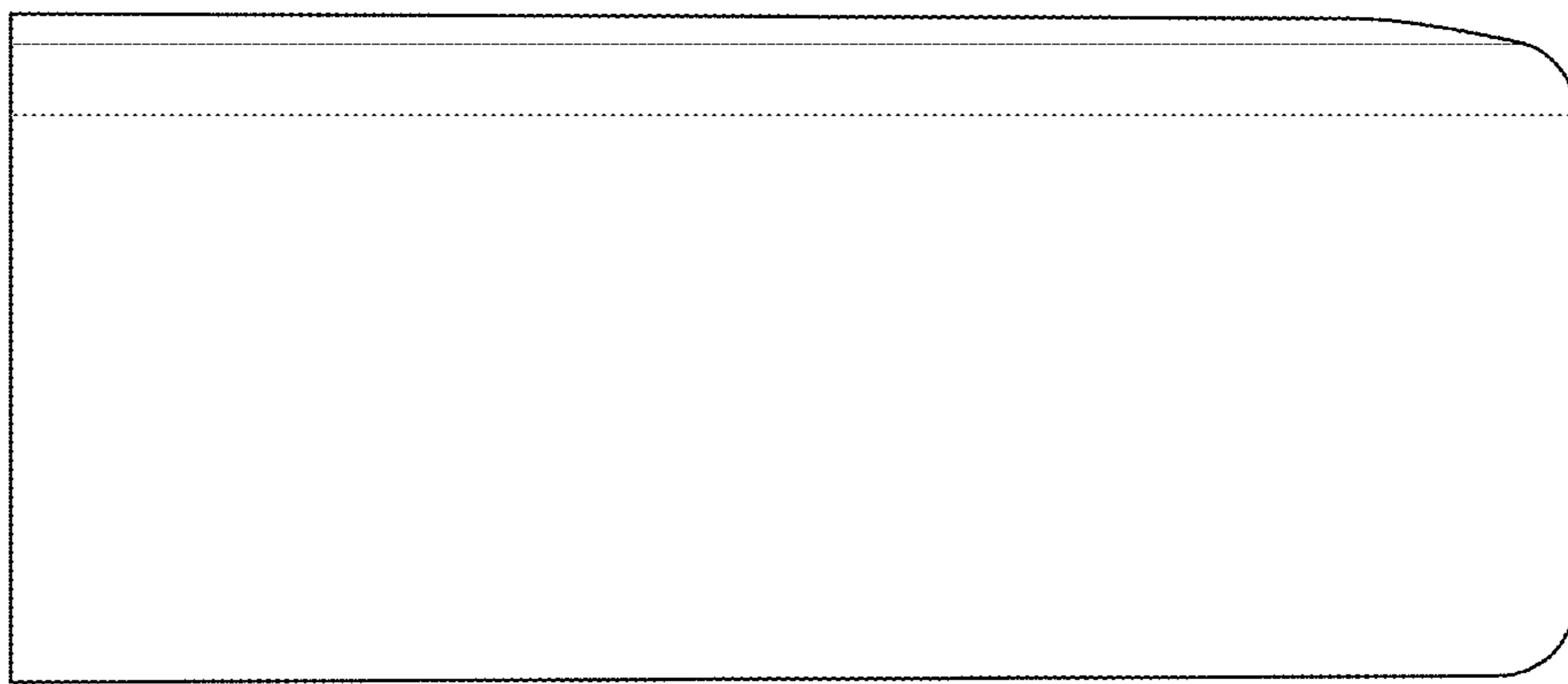


FIG. 5

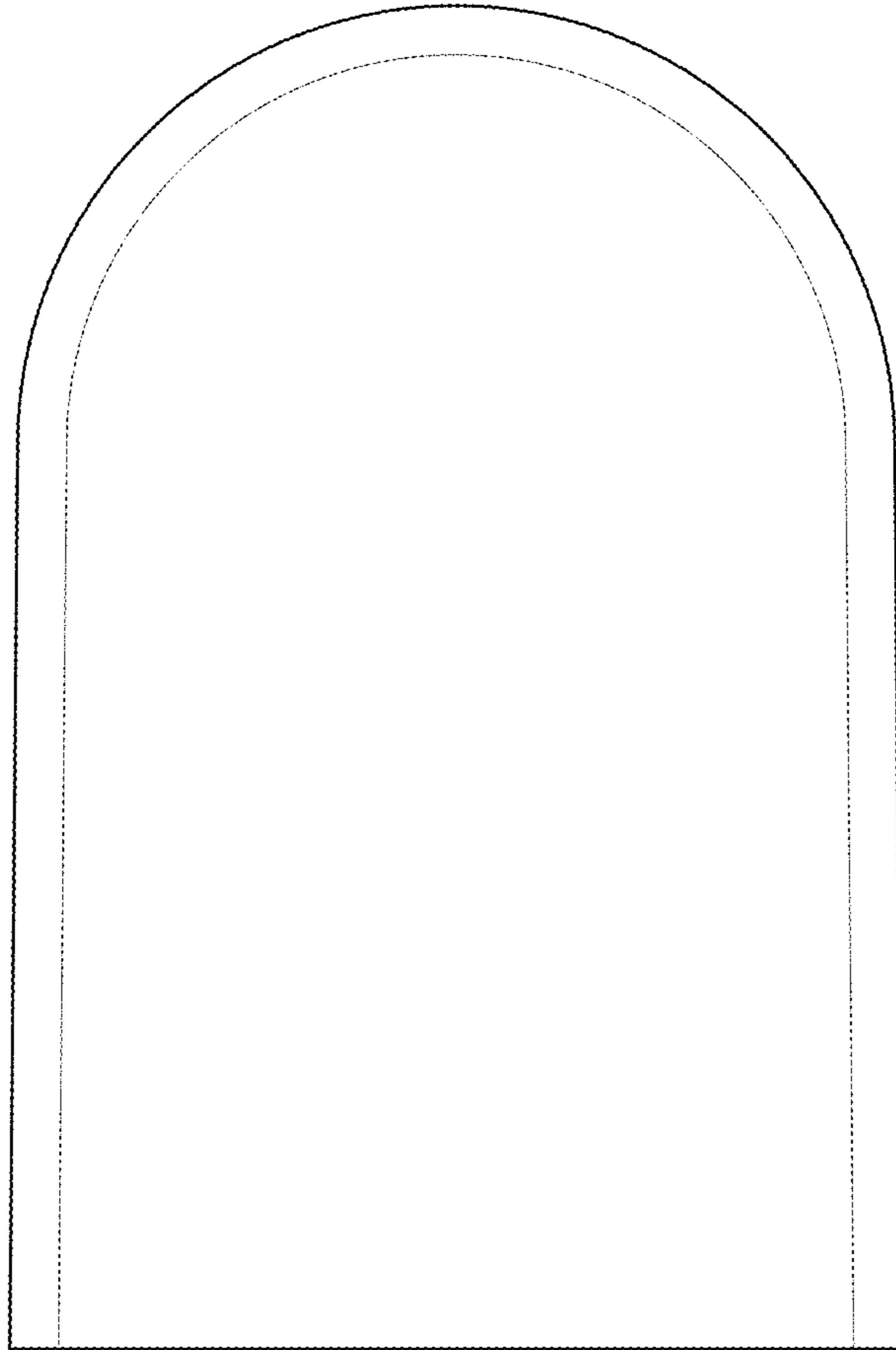


FIG. 6

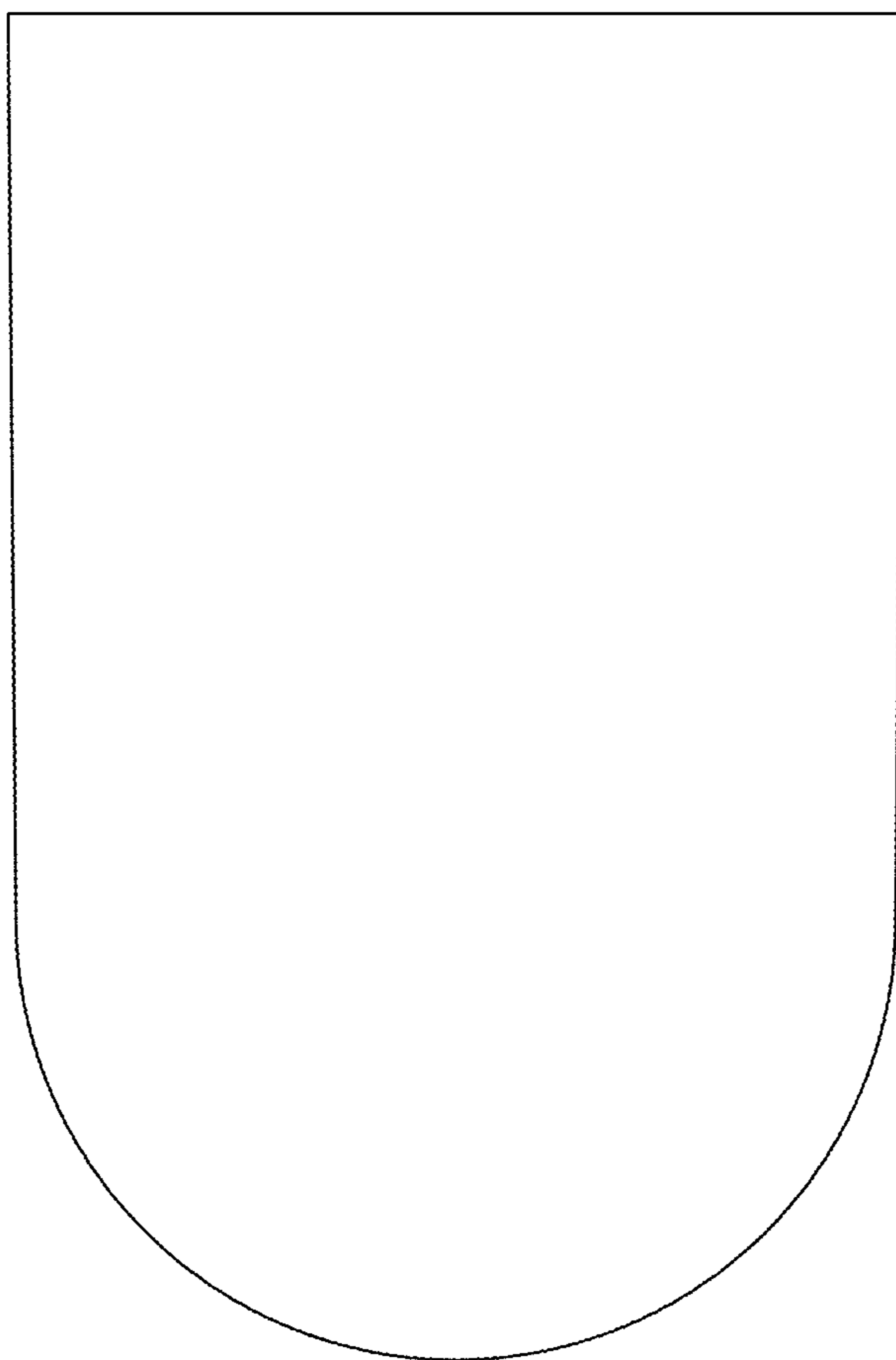


FIG. 7