



US00D826573S

(12) **United States Design Patent** (10) **Patent No.:** **US D826,573 S**  
**Nicoline et al.** (45) **Date of Patent:** **\*\* \*Aug. 28, 2018**

(54) **MAKEUP BRUSH**

FOREIGN PATENT DOCUMENTS

(71) Applicant: **Paris Presents Incorporated**, Gurnee, IL (US)

CN 301850467 \* 3/2012  
CN 301855897 \* 3/2012

(Continued)

(72) Inventors: **Alyssa Carolyn Nicoline**, Chicago, IL (US); **Jessica Briggs**, Highland Park, IL (US)

OTHER PUBLICATIONS

(73) Assignee: **PARIS PRESENTS INCORPORATED**, Gurnee, IL (US)

Tom Ford Cheek Brush and Cream Foundation Blush, as shown in blog article by Maria Pia [on-line]. Posted to the Internet Sep. 20, 2013; retrieved from the Internet Jan. 18, 2018. URL: <http://ifmakeupcouldtalk.com/toolsaccessories/tom-ford-cream-foundation-brush-review-photos-and-comparisons/>. (5 pages) (Year: 2013).\*

(\* ) Notice: This patent is subject to a terminal disclaimer.

(\*\*) Term: **15 Years**

*Primary Examiner* — Karen E Eldridge Powers

(21) Appl. No.: **29/587,851**

(74) *Attorney, Agent, or Firm* — Quarles & Brady LLP

(22) Filed: **Dec. 15, 2016**

(57) **CLAIM**

(51) **LOC (11) Cl.** ..... **04-02**

The ornamental design for a makeup brush, as shown and described.

(52) **U.S. Cl.**

USPC ..... **D4/135**

**DESCRIPTION**

(58) **Field of Classification Search**

USPC ..... D4/104, 105, 106, 107, 108, 109, 110, D4/111, 112, 121, 127, 132, 134, 135, D4/138, 122, 123, 124, 125, 128, 129, D4/130, 131, 133, 136, 137, 199; 132/313, 317, 320; 15/DIG. 15; D14/411; D19/159, 173, 914, 929; D28/7, 56

CPC ..... A46B 9/021; A46B 2200/1046

See application file for complete search history.

FIG. 1 is an isometric view of a front, bottom, and right side of an ornamental design for a makeup brush; FIG. 2 is a front elevational view of the makeup brush of FIG. 1; FIG. 3 is a rear elevational view of the makeup brush of FIG. 1; FIG. 4 is a right side elevational view of the makeup brush of FIG. 1; FIG. 5 is a left side elevational view of the makeup brush of FIG. 1; FIG. 6 is a top plan view of the makeup brush of FIG. 1; and, FIG. 7 is a bottom plan view of the makeup brush of FIG. 1.

The dash-dash-dash-dash lines are for the purpose of illustrating environmental structure and form no part of the claimed design. The dash-dot-dash lines form no part of the claimed design and represent a boundary line for a handle.

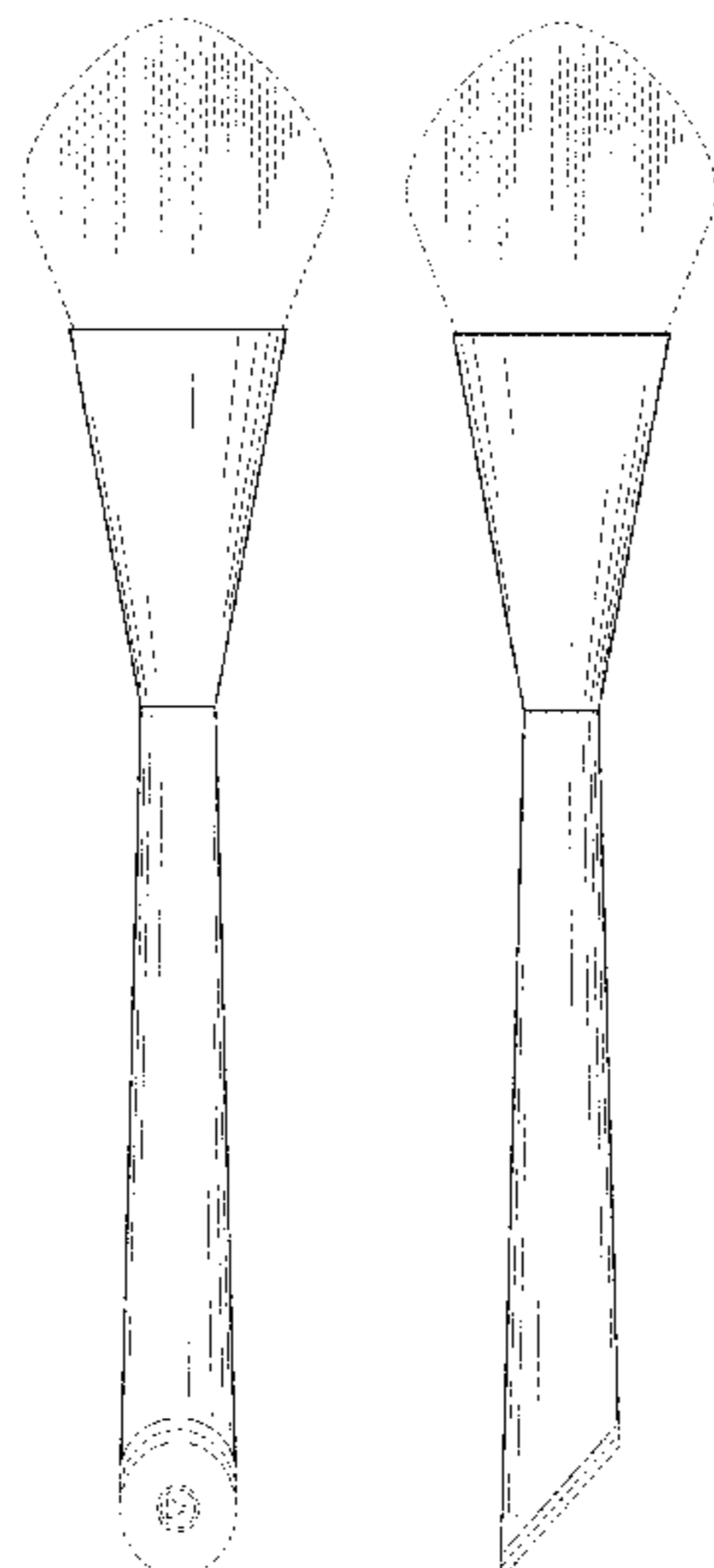
(56) **References Cited**

U.S. PATENT DOCUMENTS

RE16,869 E \* 2/1928 Goldman ..... A45D 29/16 132/75.3  
D116,216 S \* 8/1939 Brekke ..... 132/73  
D139,381 S \* 11/1944 Harris ..... D19/901  
D189,374 S \* 11/1960 Harris ..... D9/504

(Continued)

**1 Claim, 3 Drawing Sheets**



(56)

References Cited

U.S. PATENT DOCUMENTS

D238,631 S 2/1976 Leighton  
 D258,240 S 2/1981 Takada  
 D263,807 S \* 4/1982 Kingsford ..... D9/504  
 D275,040 S 8/1984 Holloway  
 D278,951 S 5/1985 Kalinsky  
 D278,952 S 5/1985 Kalinsky  
 D285,730 S \* 9/1986 Bulwick ..... D19/901  
 D304,392 S 11/1989 Reich  
 D312,729 S 12/1990 Auttajark  
 D319,736 S \* 9/1991 Thuresson ..... D4/135  
 D323,186 S \* 1/1992 Clark ..... D19/175  
 D327,979 S 7/1992 Carranza  
 D346,277 S 4/1994 Sherman  
 D361,236 S 8/1995 Murgalo  
 D376,696 S 12/1996 Vogel  
 D376,910 S 12/1996 Tuchman  
 D386,311 S 11/1997 Moskovich  
 D395,552 S 6/1998 Cunningham  
 D418,541 S \* 1/2000 Mayer ..... D19/175  
 6,039,051 A \* 3/2000 Dorf ..... A45D 40/28  
 132/313  
 D427,777 S 7/2000 Kim  
 D430,608 S 9/2000 Krieglstein et al.  
 D433,537 S \* 11/2000 Schoon ..... D28/56  
 D435,349 S 12/2000 Kim  
 D438,383 S \* 3/2001 Doat ..... D4/104  
 D446,212 S \* 8/2001 Chang ..... D14/411  
 D447,602 S \* 9/2001 Dumler ..... D28/76  
 D451,285 S 12/2001 Andersson  
 D452,948 S 1/2002 Mink  
 D460,111 S \* 7/2002 Veillon ..... D19/168  
 D463,735 S \* 10/2002 Gobe ..... D9/689  
 6,513,183 B2 2/2003 Dort  
 D478,213 S 8/2003 Ping  
 D480,272 S \* 10/2003 Yang ..... D7/598  
 D485,575 S \* 1/2004 Lovell ..... D19/175  
 6,779,532 B2 8/2004 Dort  
 D516,257 S 2/2006 Brackett et al.  
 D527,188 S 8/2006 Langer  
 D528,304 S 9/2006 Langer  
 D528,305 S 9/2006 Langer  
 D529,292 S 10/2006 Langer  
 D529,293 S 10/2006 Langer  
 D529,719 S 10/2006 Langer  
 D530,097 S 10/2006 Langer  
 D530,519 S 10/2006 Langer  
 D541,979 S 5/2007 Montoli  
 D571,105 S 6/2008 Godin  
 D571,559 S 6/2008 Riaz  
 D572,010 S 7/2008 Riaz  
 D573,348 S 7/2008 Dumler et al.  
 D573,349 S 7/2008 Dumler et al.  
 D574,154 S 8/2008 Dumler et al.  
 D574,155 S 8/2008 Dumler et al.  
 D598,655 S 8/2009 Thorpe  
 D599,113 S 9/2009 Jackel-Marken  
 D617,954 S \* 6/2010 L'Abbate ..... D28/76  
 RE41,710 E 9/2010 Dumler et al.  
 RE41,711 E 9/2010 Dumler et al.  
 D625,522 S 10/2010 Riaz  
 D627,977 S 11/2010 Magallances Orozco  
 D628,811 S 12/2010 Masuyama  
 D630,437 S 1/2011 Carey  
 D631,666 S 2/2011 Lim  
 D632,086 S 2/2011 Kulik  
 D634,127 S 3/2011 Burgess et al.  
 D642,805 S 8/2011 Burgess et al.

D645,665 S 9/2011 Del Pante  
 D655,006 S 2/2012 Rajaiah  
 D658,385 S 5/2012 Lim et al.  
 8,230,543 B2 7/2012 Shrier  
 D676,663 S 2/2013 Ptok  
 D676,666 S 2/2013 Nelson  
 D677,904 S 3/2013 Hammer  
 D678,682 S 3/2013 Hammer  
 D678,683 S 3/2013 Hammer  
 D678,684 S 3/2013 Hammer  
 D699,041 S 2/2014 Waitesmith  
 D702,554 S \* 4/2014 Cole ..... D28/76  
 D706,542 S 6/2014 Lavigne  
 D718,060 S 11/2014 Filho et al.  
 D718,941 S 12/2014 Matsuishi  
 D743,632 S 11/2015 Schlickman  
 D746,010 S 12/2015 Xavier et al.  
 D747,835 S 1/2016 Barnard et al.  
 D749,327 S 2/2016 Thierer et al.  
 D749,858 S 2/2016 Snook  
 D749,859 S 2/2016 Snook  
 D750,383 S 3/2016 Serrano  
 D752,149 S 3/2016 Fairweather  
 D756,127 S 5/2016 Nicoline  
 D756,661 S 5/2016 Waitesmith  
 D757,441 S 5/2016 Hwang  
 D757,443 S 5/2016 Waitesmith  
 D757,447 S 5/2016 White  
 D762,988 S 8/2016 Xavier et al.  
 D763,676 S 8/2016 Filho et al.  
 D764,807 S 8/2016 Waitesmith  
 D765,421 S 9/2016 Cole  
 D766,586 S 9/2016 Hwang  
 D767,903 S 10/2016 Lim  
 D768,998 S 10/2016 Kim et al.  
 D771,389 S 11/2016 Since  
 D776,440 S 1/2017 Jain  
 D778,067 S 2/2017 Jain  
 D778,617 S 2/2017 Jain  
 D778,618 S 2/2017 Jain  
 D778,619 S 2/2017 Jain  
 D778,620 S 2/2017 Jain  
 D778,621 S 2/2017 Jain  
 D778,623 S 2/2017 Jain  
 D779,137 S 2/2017 Taylor  
 D779,213 S 2/2017 Jain  
 D782,138 S 3/2017 Xavier et al.  
 D782,198 S 3/2017 Hwang  
 D782,199 S 3/2017 Hwang  
 D782,201 S 3/2017 Hwang  
 D782,826 S 4/2017 Kim et al.  
 D783,291 S 4/2017 Lin  
 D790,973 S \* 7/2017 Kern ..... D28/7  
 D800,457 S \* 10/2017 Kaicker ..... D4/138  
 2002/0083953 A1 7/2002 Dorf  
 2010/0101035 A1 \* 4/2010 Nakamura ..... A46B 9/021  
 15/160  
 2014/0166041 A1 \* 6/2014 King ..... A46B 9/021  
 132/320  
 2014/0331422 A1 \* 11/2014 Lim ..... A45D 40/262  
 15/106  
 2015/0027495 A1 \* 1/2015 Xavier ..... A46B 17/06  
 134/6  
 2017/0188691 A1 \* 7/2017 Richards ..... A46B 5/0095

FOREIGN PATENT DOCUMENTS

CN 303901885 \* 11/2016  
 WO 2012142545 10/2012

\* cited by examiner

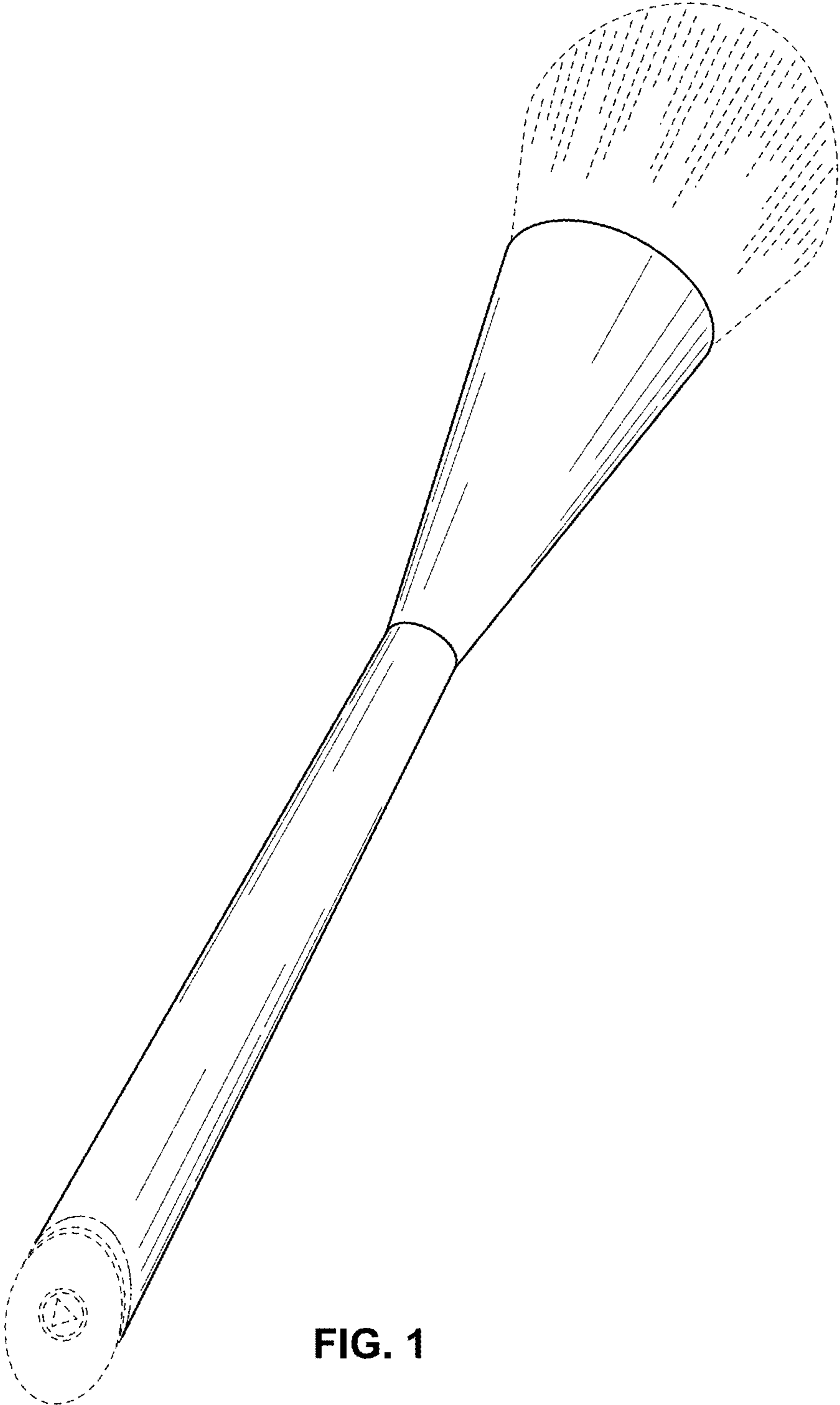


FIG. 1

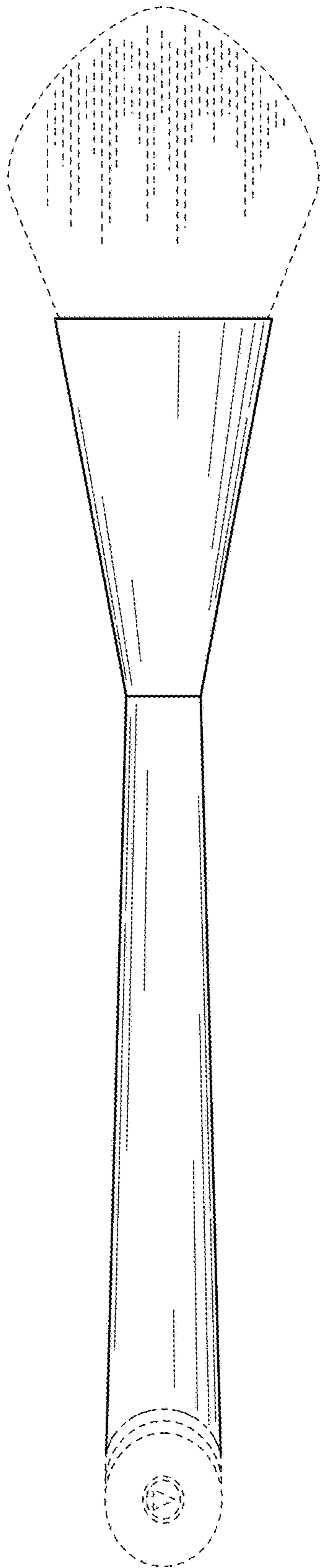


FIG. 2

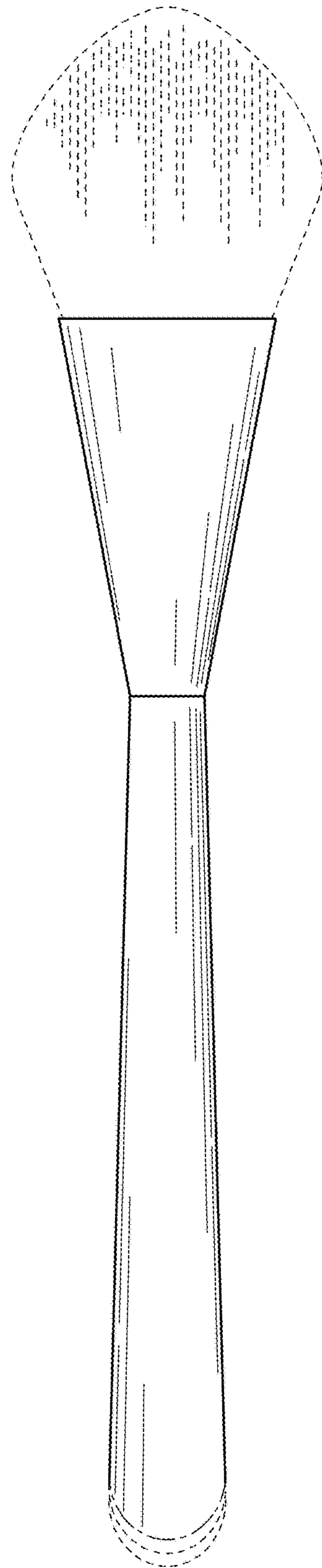


FIG. 3

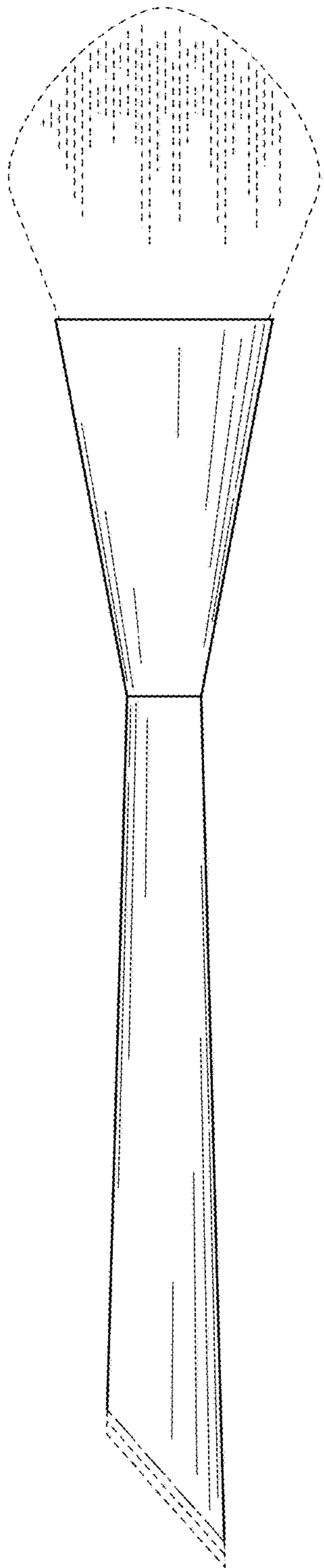


FIG. 4

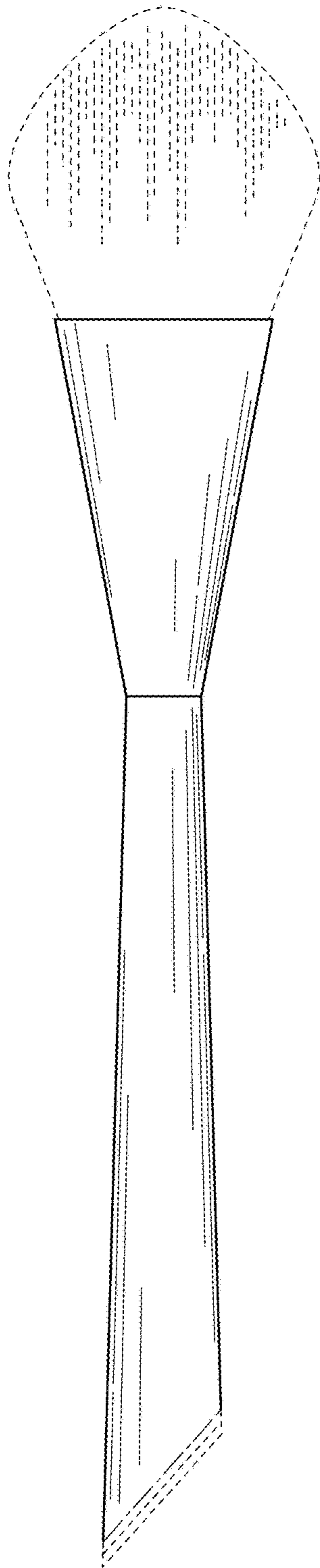


FIG. 5

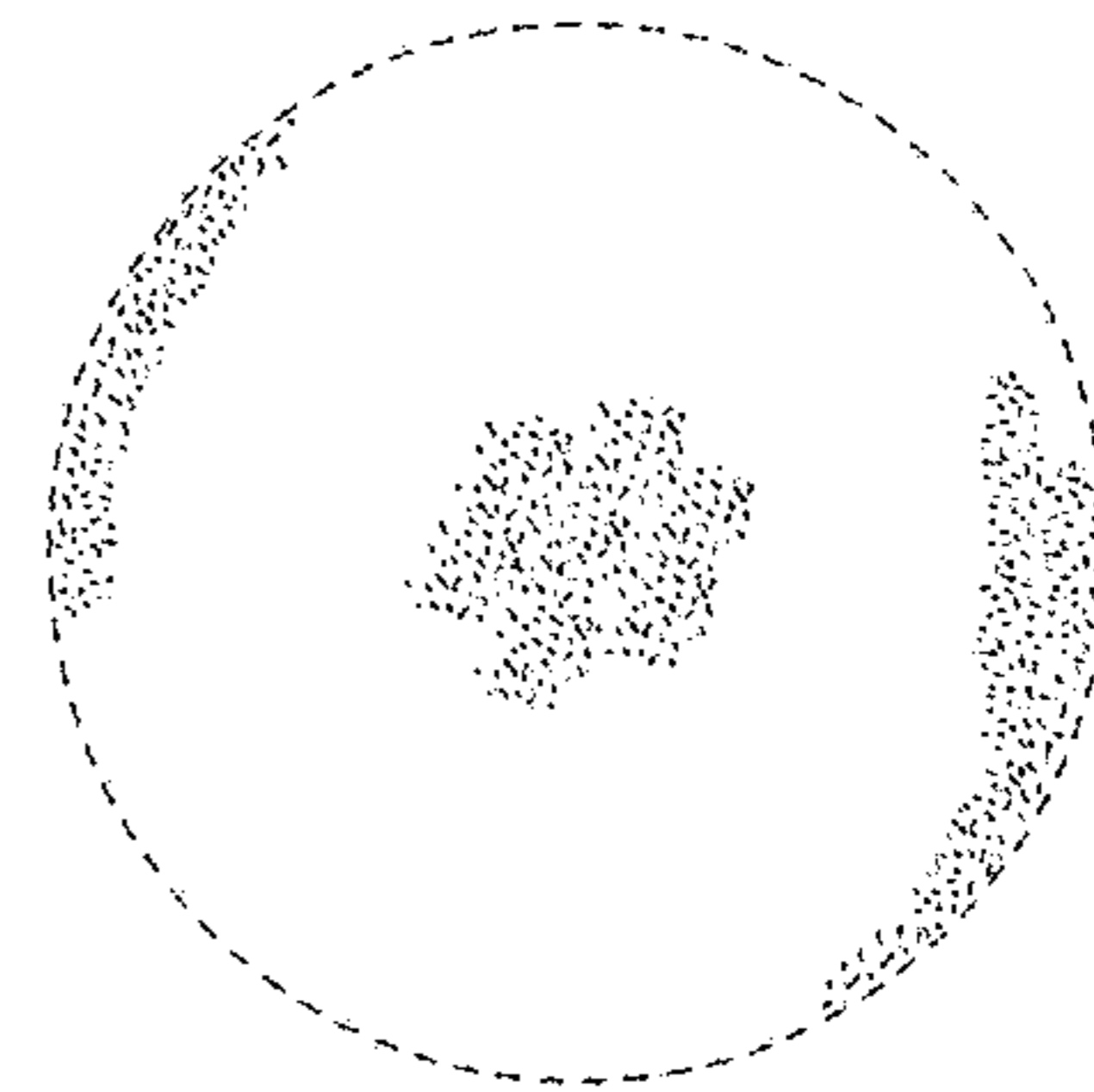


FIG. 6

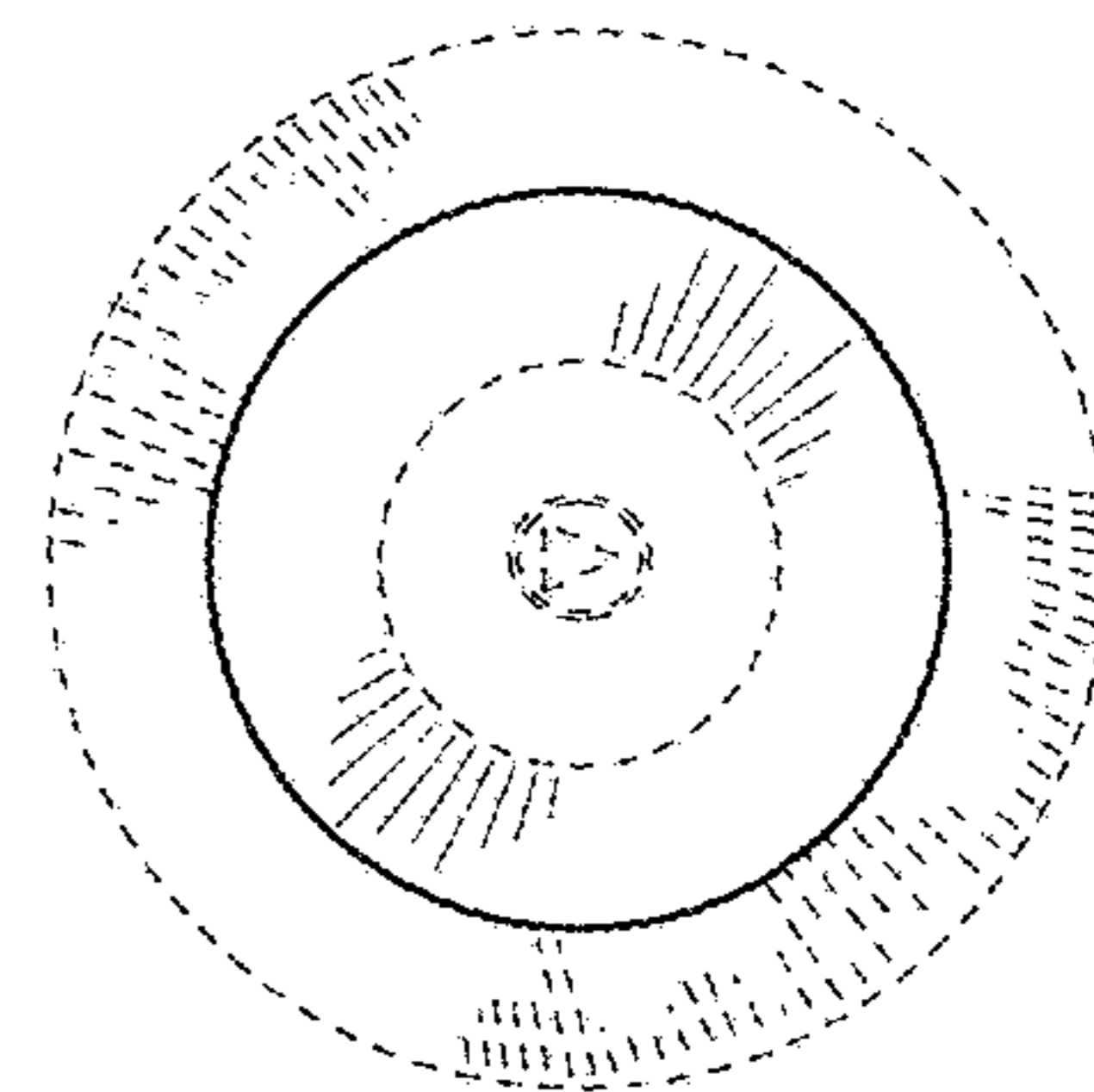


FIG. 7