



US00D826572S

(12) **United States Design Patent** (10) **Patent No.:** **US D826,572 S**
Hanson (45) **Date of Patent:** **** Aug. 28, 2018**

(54) **MICROPHONE-SHAPED HAIRBRUSH**
(71) Applicant: **Kathy Lynn Hanson**, Barberton, OH (US)
(72) Inventor: **Kathy Lynn Hanson**, Barberton, OH (US)
(**) Term: **15 Years**
(21) Appl. No.: **29/577,059**
(22) Filed: **Sep. 9, 2016**
(51) **LOC (11) Cl.** **04-99**
(52) **U.S. Cl.**
USPC **D4/124; D4/136**
(58) **Field of Classification Search**
USPC D4/102, 107; D14/497, 185, 204-206, D14/209.1, 213, 219, 225; D3/200; D19/125; D15/159.1, 168
CPC .. A46B 9/00; A46B 5/00; A46B 15/00; A46D 1/02; A46D 1/0238
See application file for complete search history.

D646,062 S * 10/2011 Leventhal D4/100
D666,007 S * 8/2012 Harris D4/114
D709,291 S * 7/2014 Brown D4/136
D709,705 S * 7/2014 Brown D4/136
D721,234 S * 1/2015 Schuler D4/133
D721,508 S * 1/2015 Schuler D4/133
D724,850 S * 3/2015 Schuler D4/133
D750,896 S * 3/2016 Park D4/136
D763,580 S * 8/2016 Brown D4/136
D767,283 S * 9/2016 Mishan D4/136
D781,597 S * 3/2017 Treeby D4/136
D781,598 S * 3/2017 Treeby D4/136
D783,182 S * 4/2017 Kilian D25/138
D791,979 S * 7/2017 Kilian D25/143
2015/0135455 A1* 5/2015 Reusche A46B 9/06
15/160

* cited by examiner
Primary Examiner — Barbara Fox
Assistant Examiner — Mehri F Bajoul
(74) *Attorney, Agent, or Firm* — Fay Sharpe LLP

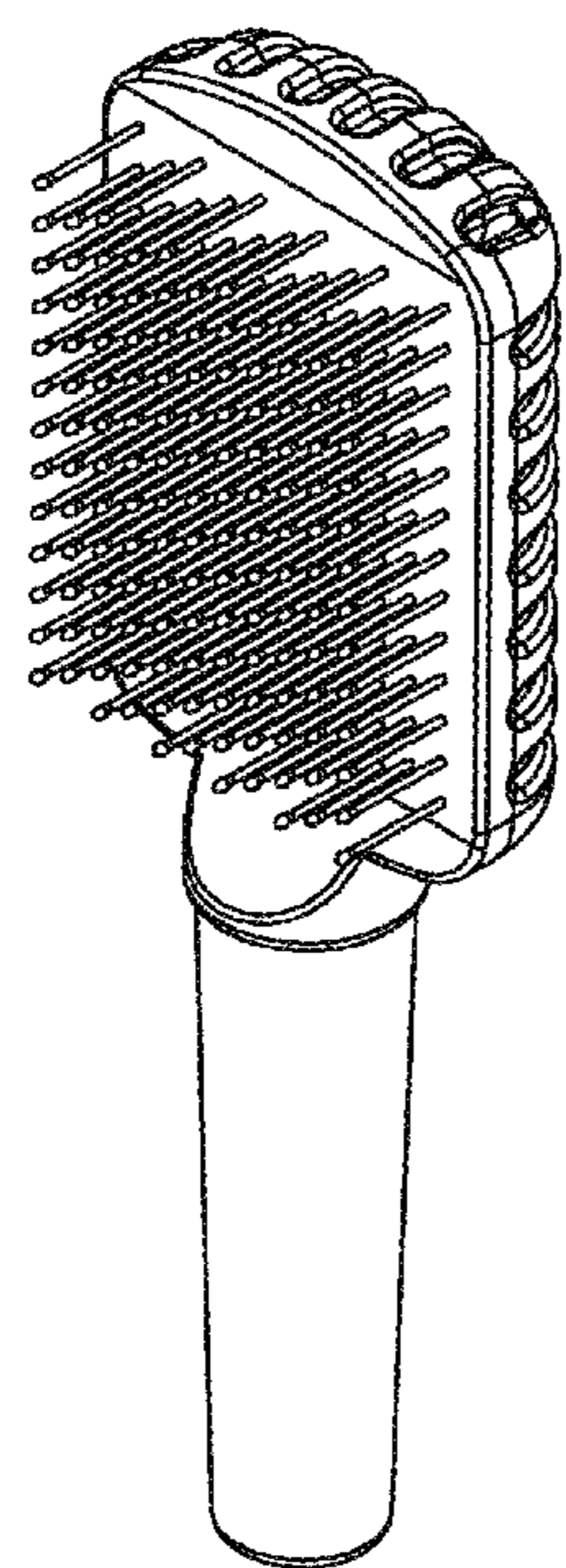
(57) **CLAIM**
The ornamental design for a microphone-shaped hairbrush, as shown and described.

DESCRIPTION

FIG. 1 is a front elevational view of a microphone-shaped hairbrush showing the new design;
FIG. 2 is a right side elevational view thereof;
FIG. 3 is a rear elevational view thereof;
FIG. 4 is a top plan view thereof;
FIG. 5 is a bottom plan view thereof; and,
FIG. 6 is an isometric view thereof.

1 Claim, 6 Drawing Sheets

(56) **References Cited**
U.S. PATENT DOCUMENTS
D359,624 S * 6/1995 Dols D4/134
D384,058 S * 9/1997 Pinon D4/121
D495,198 S * 8/2004 Gonzalez D7/395
D513,883 S * 1/2006 Kampel D4/133
D532,608 S * 11/2006 Berti D4/120
D558,983 S * 1/2008 Phillips D4/199
D558,984 S * 1/2008 Phillips D4/199
D565,304 S * 4/2008 Stewart D4/100



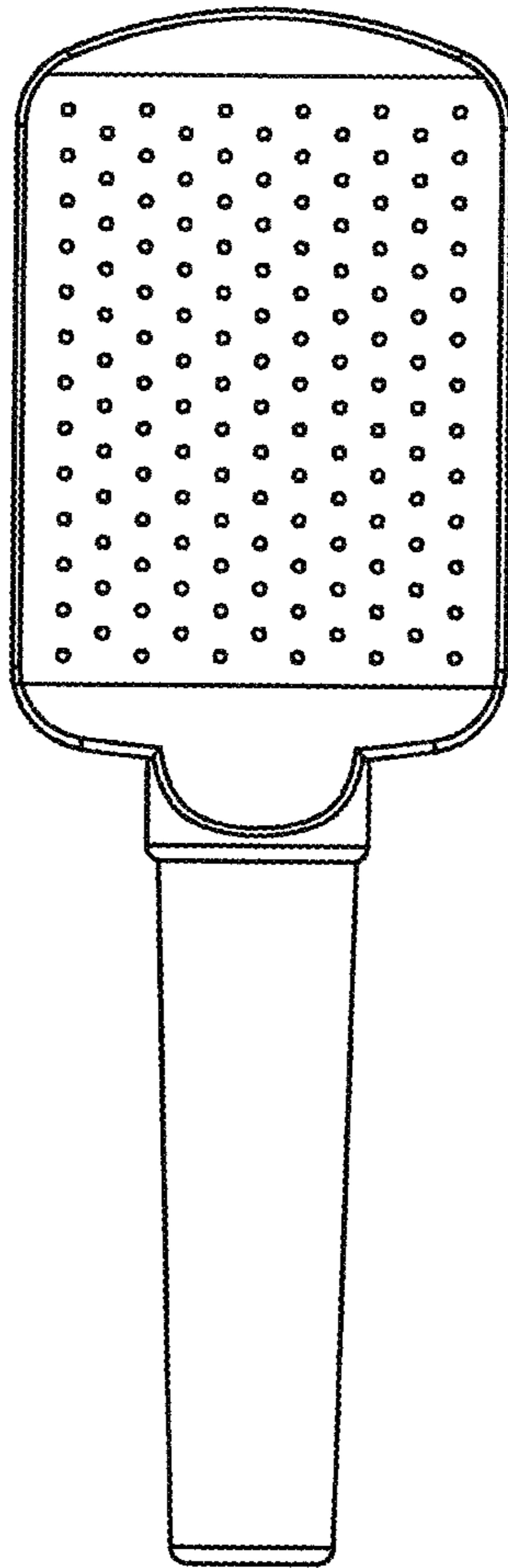


Fig. 1

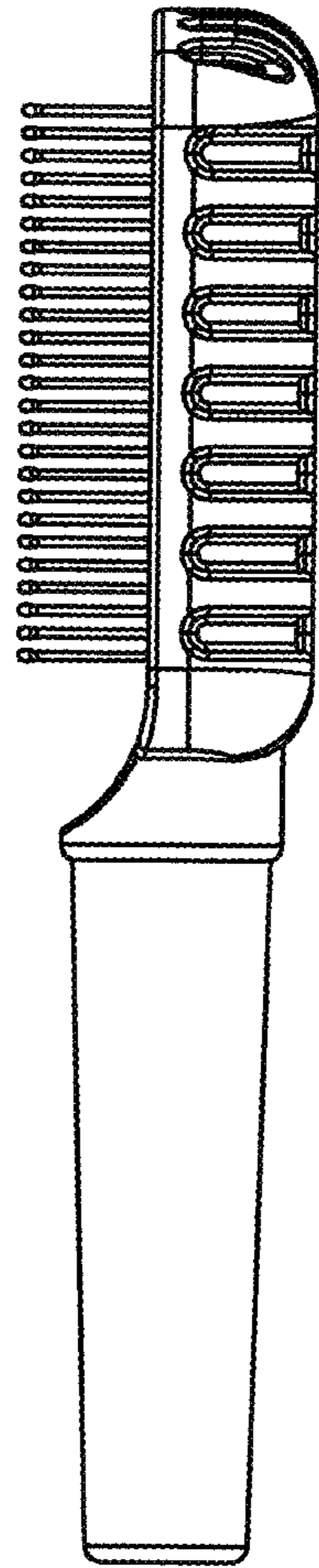


Fig. 2

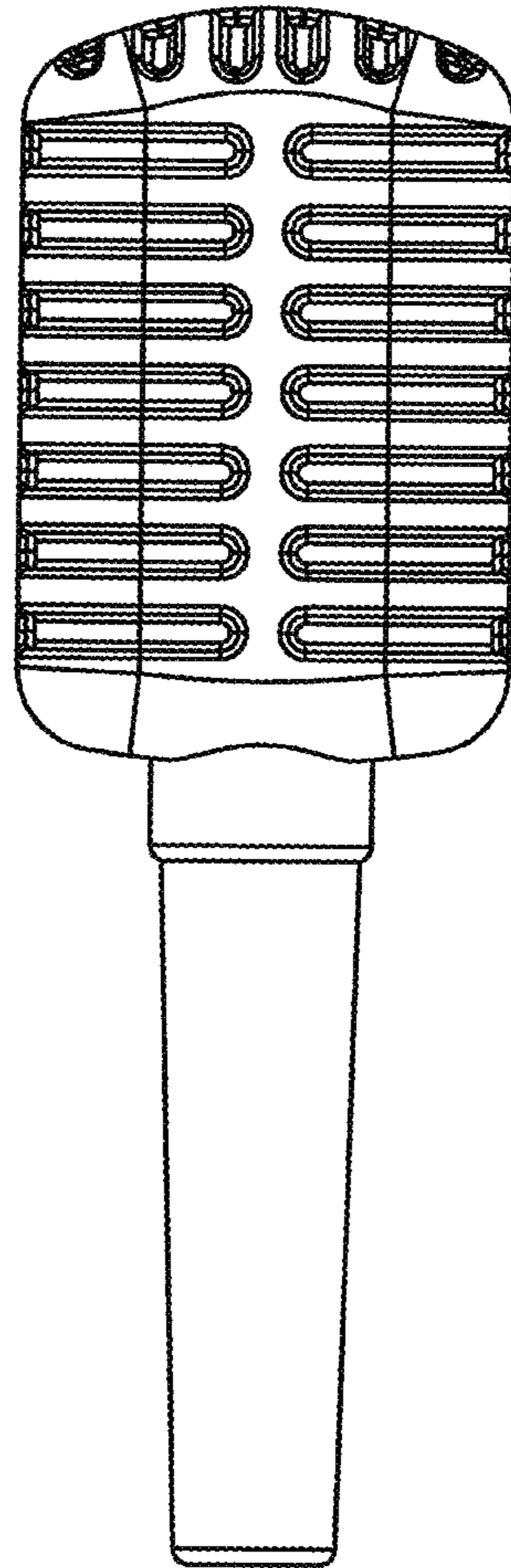


Fig. 3

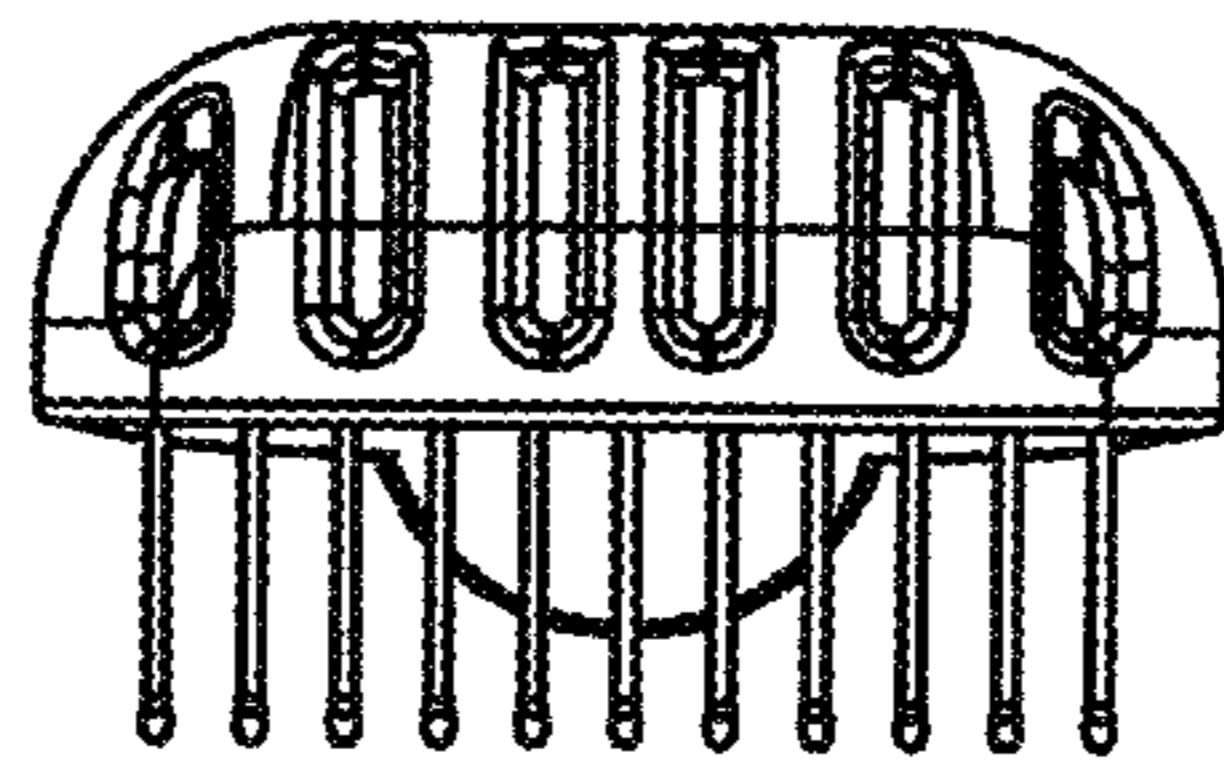


Fig. 4

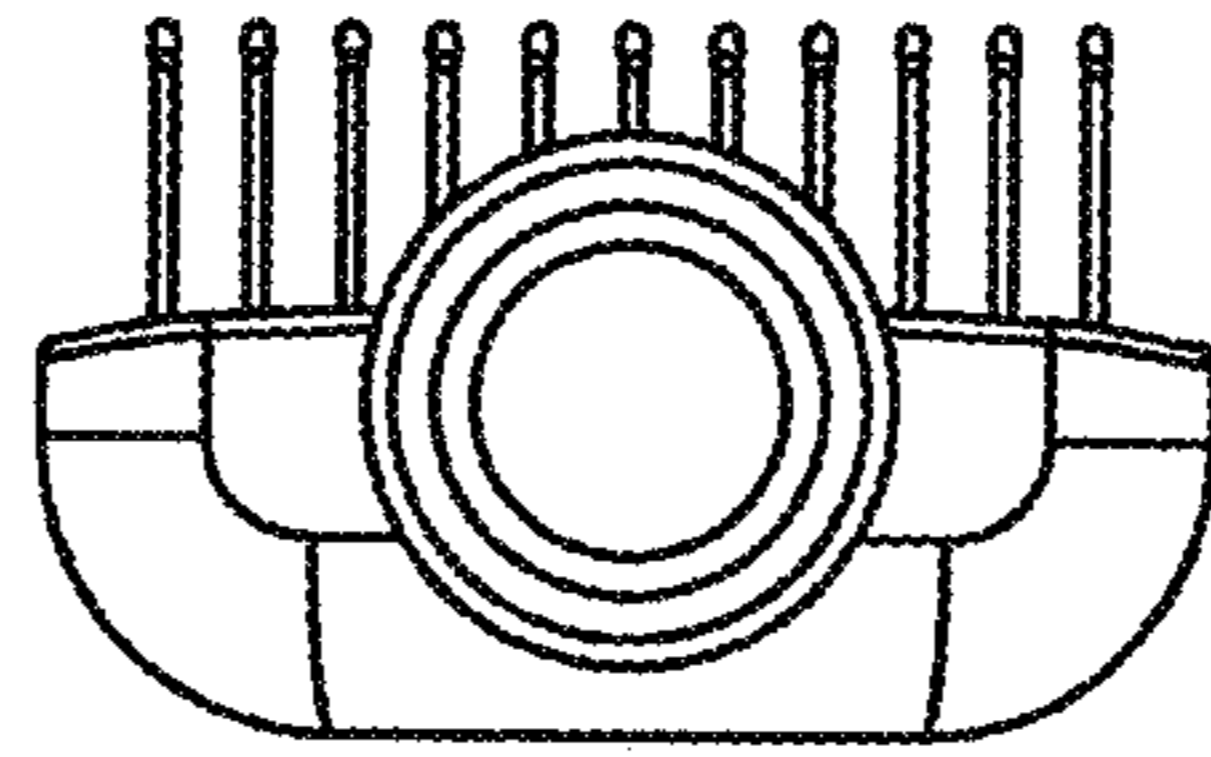


Fig. 5

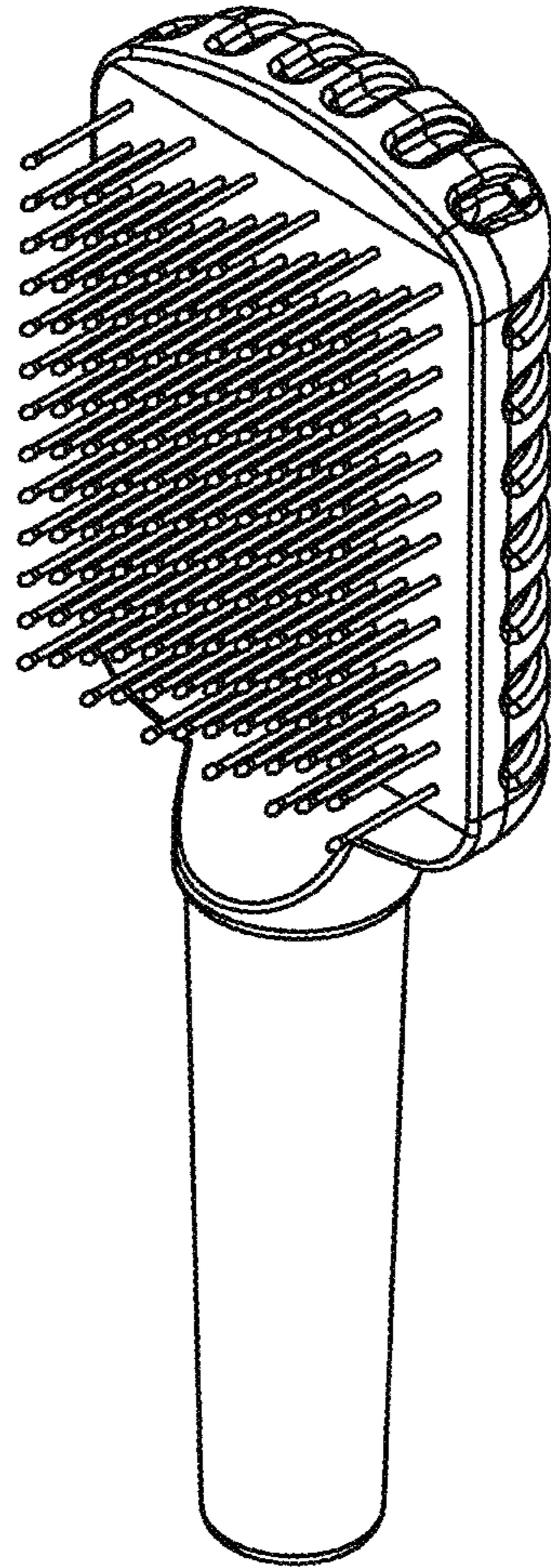


Fig. 6