



US00D826571S

(12) **United States Design Patent** (10) **Patent No.:** **US D826,571 S**  
**Wang** (45) **Date of Patent:** **\*\* Aug. 28, 2018**

(54) **HANDHELD LINT REMOVER WITH COVER**

(74) *Attorney, Agent, or Firm* — Louis C. Paul

(71) Applicant: **EVRIHOLDER PRODUCTS, LLC**,  
Anaheim, CA (US)

(57) **CLAIM**

The ornamental design for a handheld lint remover with cover, as shown and described.

(72) Inventor: **Song Song Wang**, West Covina, CA  
(US)

**DESCRIPTION**

(73) Assignee: **Evriholder Products, LLC**, Anaheim,  
CA (US)

FIG. 1 is a top plan view of the handheld lint remover, shown separately for clarity of illustration.

(\*\*) Term: **15 Years**

FIG. 2 is a front elevation view of the handheld lint remover; the rear view being a mirror image thereof.

(21) Appl. No.: **29/556,969**

FIG. 3 is a bottom plan view of the handheld lint remover.

(22) Filed: **Mar. 4, 2016**

FIG. 4 is a perspective view of the handheld lint remover.

(51) **LOC (11) Cl.** ..... **04-02**

FIG. 5 is a left side elevation view of the handheld lint remover; the right side elevation view being a mirror image thereof.

(52) **U.S. Cl.**  
USPC ..... **D4/122**

FIG. 6 is a perspective view of the handheld lint remover, shown with a roller.

(58) **Field of Classification Search**  
USPC ..... D4/122, 138, 131, 132, 133, 134, 135,  
D4/130, 199, 121, 137; D7/392; D8/10,  
(Continued)

FIG. 7 is a front elevation view of the handheld lint remover, shown with a roller; the rear elevation view being a mirror image thereof.

(56) **References Cited**

**U.S. PATENT DOCUMENTS**

D162,753 S \* 4/1951 Runyon ..... 15/160  
D198,437 S \* 6/1964 Wilbrecht ..... D4/122  
(Continued)

FIG. 8 is a top plan view of the handheld lint remover in a closed position, inserted into the cover.

**FOREIGN PATENT DOCUMENTS**

CA 51678 \* 8/1983  
CA 73211 \* 9/1993  
(Continued)

FIG. 9 is a front elevation view of the handheld lint remover in a closed position, inserted into the cover; the rear elevation view being a mirror image thereof.

**OTHER PUBLICATIONS**

Evriholder Lint Magnet, [on-line]. Date first published unknown; retrieved from the Internet May 15, 2017. URL: <<http://www.evriholder.com/product-page/lint-magnet>>. (2 pages).\*

FIG. 10 is a bottom plan view of the handheld lint remover in a closed position, with the handle inserted in the cover.

FIG. 11 is a perspective view of the handheld lint remover in a closed position, with the handle inserted in the cover.

FIG. 12 is a left side view of the handheld lint remover in a closed position, with the handle inserted in the cover; the right side view being a mirror image thereof.

FIG. 13 is a perspective view of the handheld lint remover with cover.

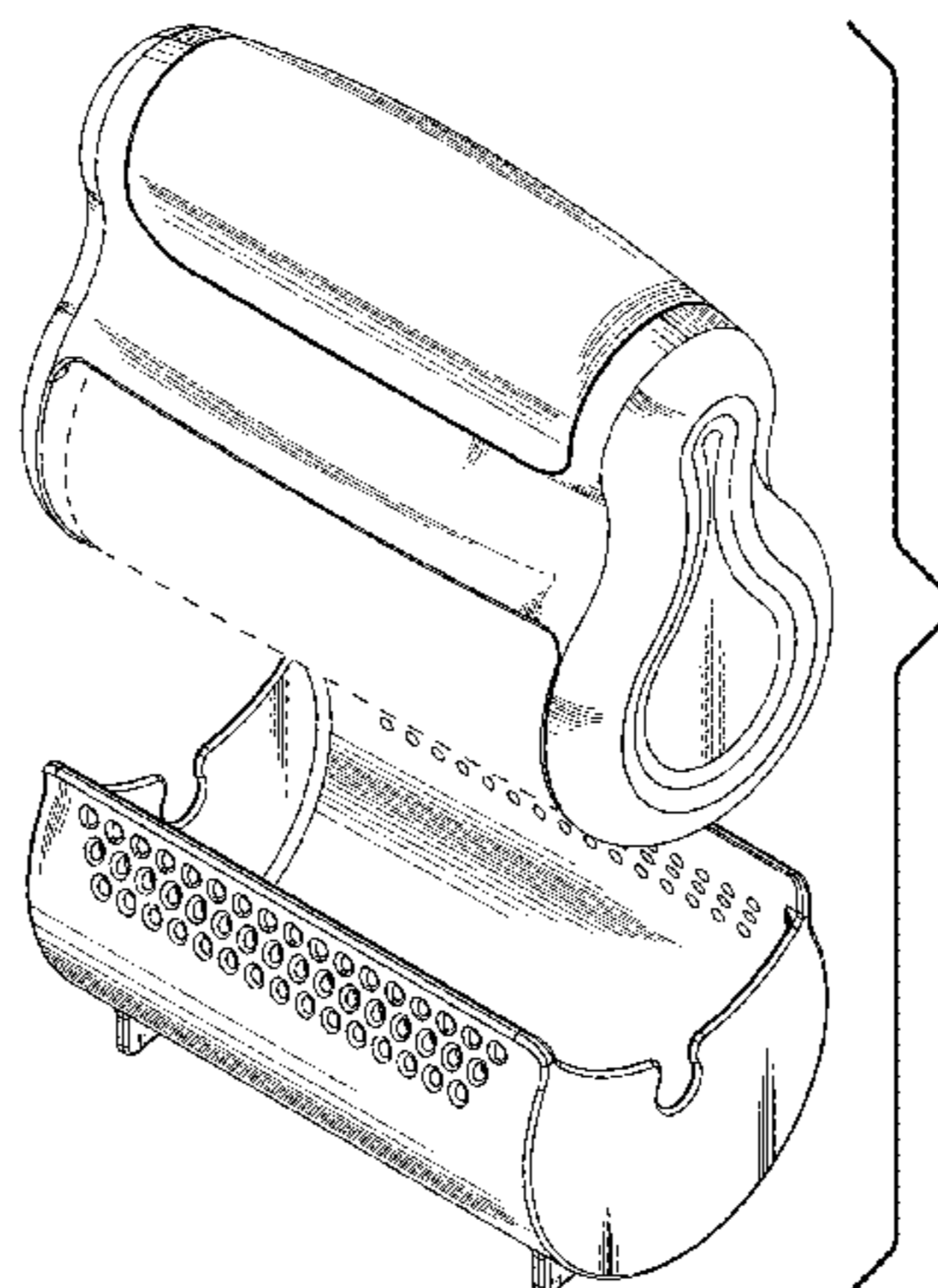
FIG. 14 is a front elevation view of the cover; the rear elevation view being a mirror image thereof; and,

FIG. 15 is a left side view of the cover; the right side view being a mirror image thereof.

The roller shown in broken lines is a feature of the article of manufacture that forms no part of the claimed design.

*Primary Examiner* — Karen E Eldridge Powers

**1 Claim, 15 Drawing Sheets**



# US D826,571 S

Page 2

(58) **Field of Classification Search**

USPC ..... D8/11, 45, 80, 83, 84, 98, 107; D28/7,  
D28/50; D32/40; 15/104.001, 104.002;  
16/430  
CPC ..... A47L 25/08; A47L 25/00; A47L 25/005  
See application file for complete search history.

(56) **References Cited**

U.S. PATENT DOCUMENTS

3,158,887 A \* 12/1964 Kanbar ..... A47L 25/005  
15/104.002  
D235,278 S \* 6/1975 Janssen ..... D4/122  
D252,219 S \* 6/1979 Peeples ..... 401/140  
D308,734 S \* 6/1990 Markovich ..... D28/7  
4,979,257 A \* 12/1990 Heneveld ..... A47L 25/005  
15/104.002  
D324,779 S \* 3/1992 Ueda ..... D4/137  
D336,784 S \* 6/1993 Yen ..... D4/122  
D357,126 S \* 4/1995 Stachler ..... D4/122  
D403,820 S \* 1/1999 Chang ..... D32/40  
5,987,687 A \* 11/1999 Kilburn ..... A46B 5/02  
15/143.1  
6,017,162 A \* 1/2000 Call ..... A45D 34/041  
401/208  
D475,537 S \* 6/2003 Jessen ..... D4/199  
7,213,291 B2 \* 5/2007 Cheng ..... A47L 25/005  
15/104.2  
7,628,559 B2 \* 12/2009 Petit ..... A45D 33/12  
401/126  
D626,750 S \* 11/2010 Armstrong ..... D4/114  
D654,699 S \* 2/2012 Ross ..... D4/116

D671,748 S \* 12/2012 Guyton ..... D4/122  
D676,246 S \* 2/2013 Gold ..... D4/122  
D682,555 S \* 5/2013 Refior ..... D4/122  
D691,378 S \* 10/2013 Taub ..... D4/122  
D697,312 S \* 1/2014 Yao ..... D4/122  
D704,525 S \* 5/2014 Coakley ..... B25G 3/32  
D8/107  
8,763,190 B2 \* 7/2014 Ross ..... A47L 13/00  
15/104.001  
8,904,588 B2 \* 12/2014 Taub ..... A47L 25/005  
15/104.002  
D733,434 S \* 7/2015 Miwa ..... D4/122  
9,375,131 B2 \* 6/2016 Butts ..... A47L 25/005  
2008/0029204 A1 \* 2/2008 Knopow ..... A47L 25/08  
156/212  
2010/0133135 A1 \* 6/2010 Shelby ..... B44D 3/125  
206/446  
2011/0078866 A1 \* 4/2011 Panthofer ..... A47L 25/005  
15/104.002  
2012/0284939 A1 \* 11/2012 Anderson ..... B65D 43/162  
15/104.002  
2016/0022367 A1 \* 1/2016 Brody ..... A61B 90/70  
134/6  
2016/0120392 A1 \* 5/2016 Jang ..... A47L 25/08  
15/104.002

FOREIGN PATENT DOCUMENTS

CA 144243 \* 9/2012  
EM 001329841-0011 \* 6/2012  
EM 001329841-0012 \* 6/2012

\* cited by examiner

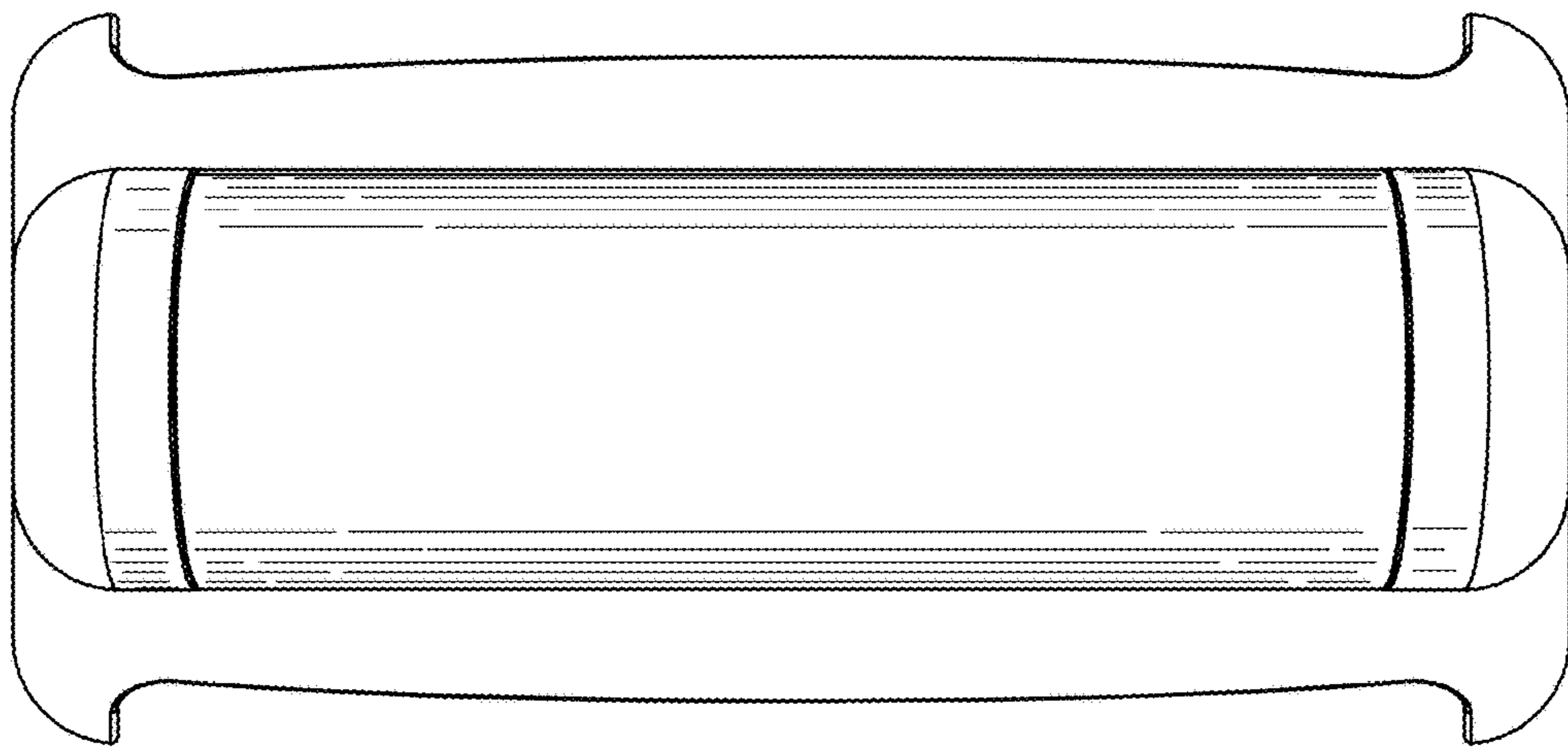


FIG. 1

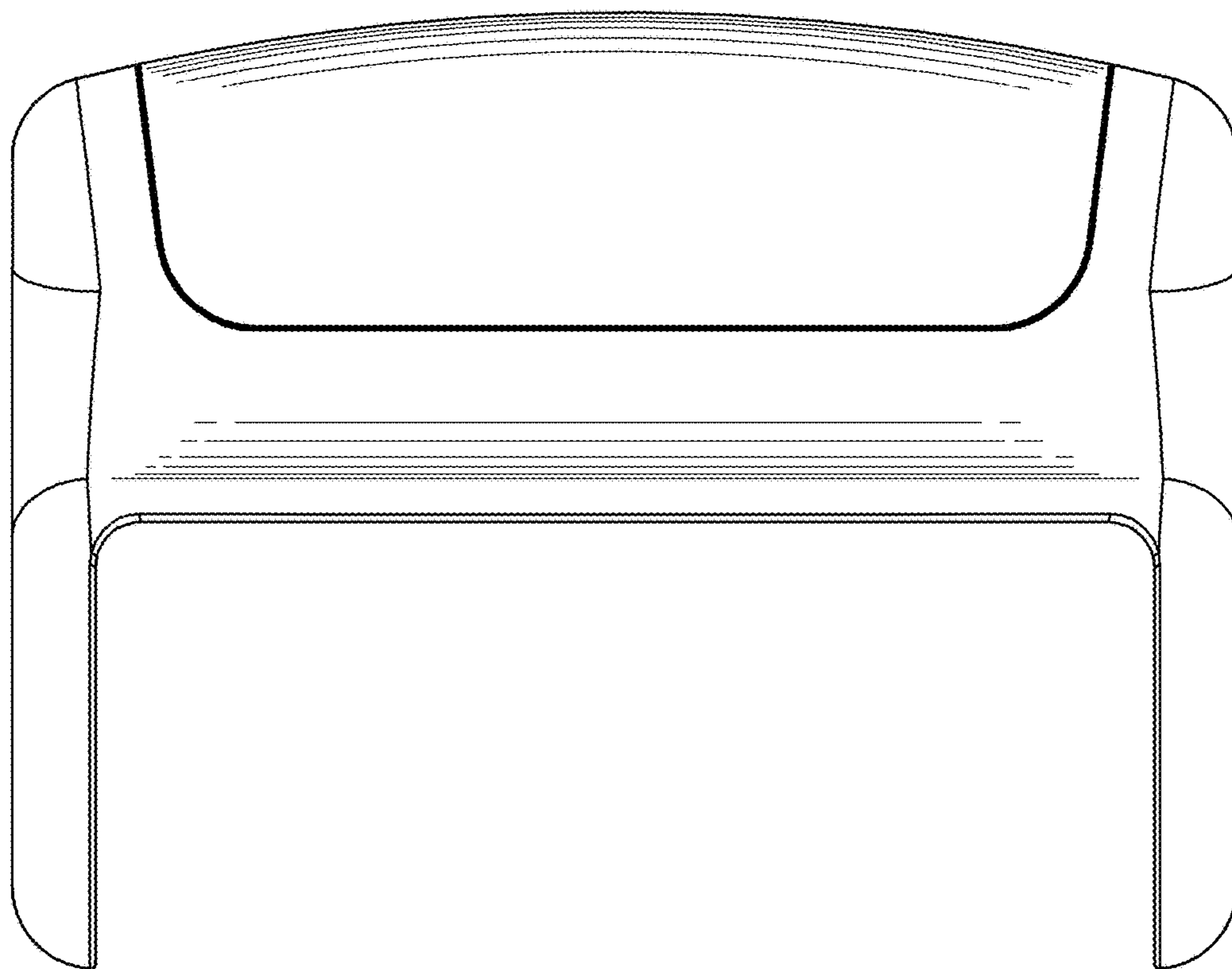


FIG. 2

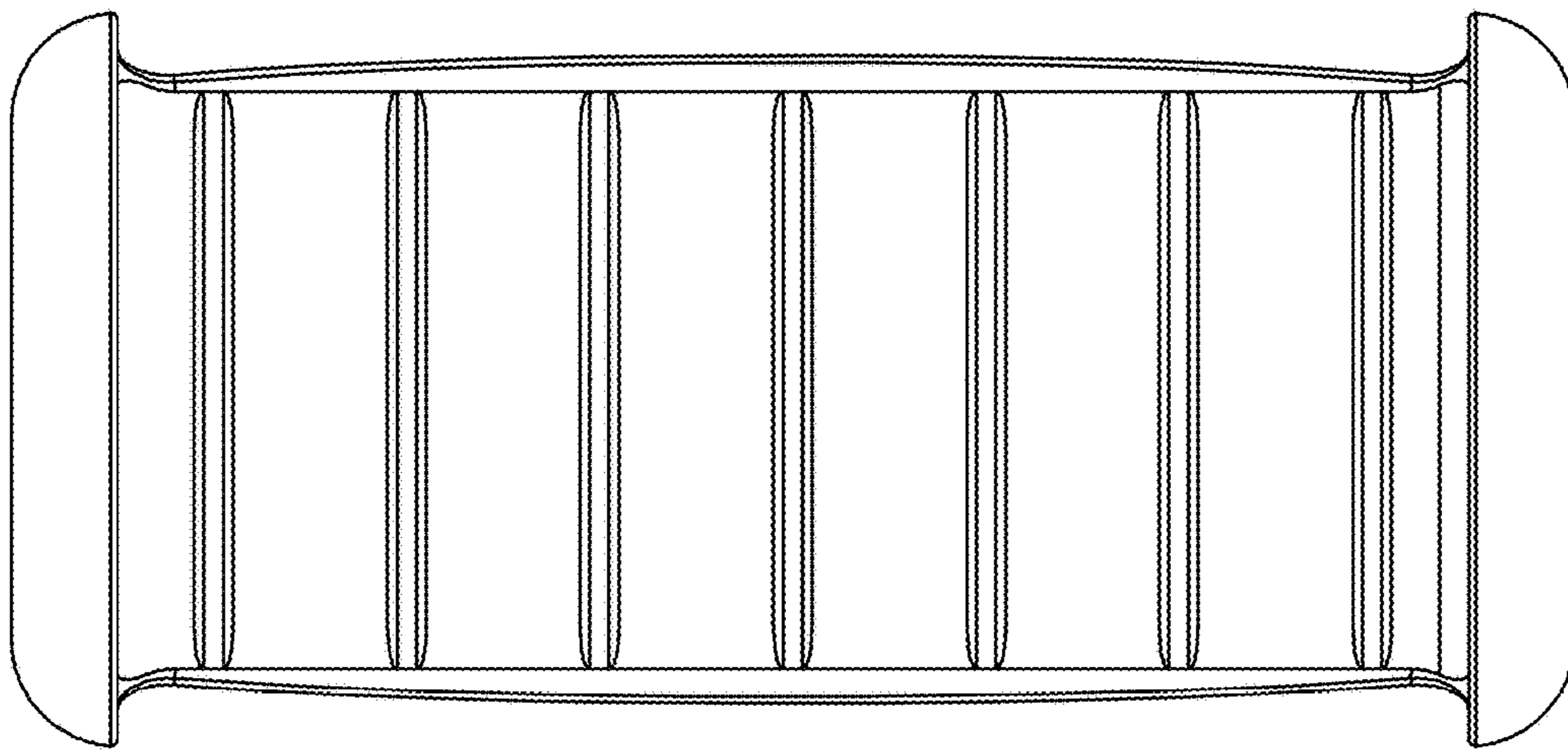


FIG. 3



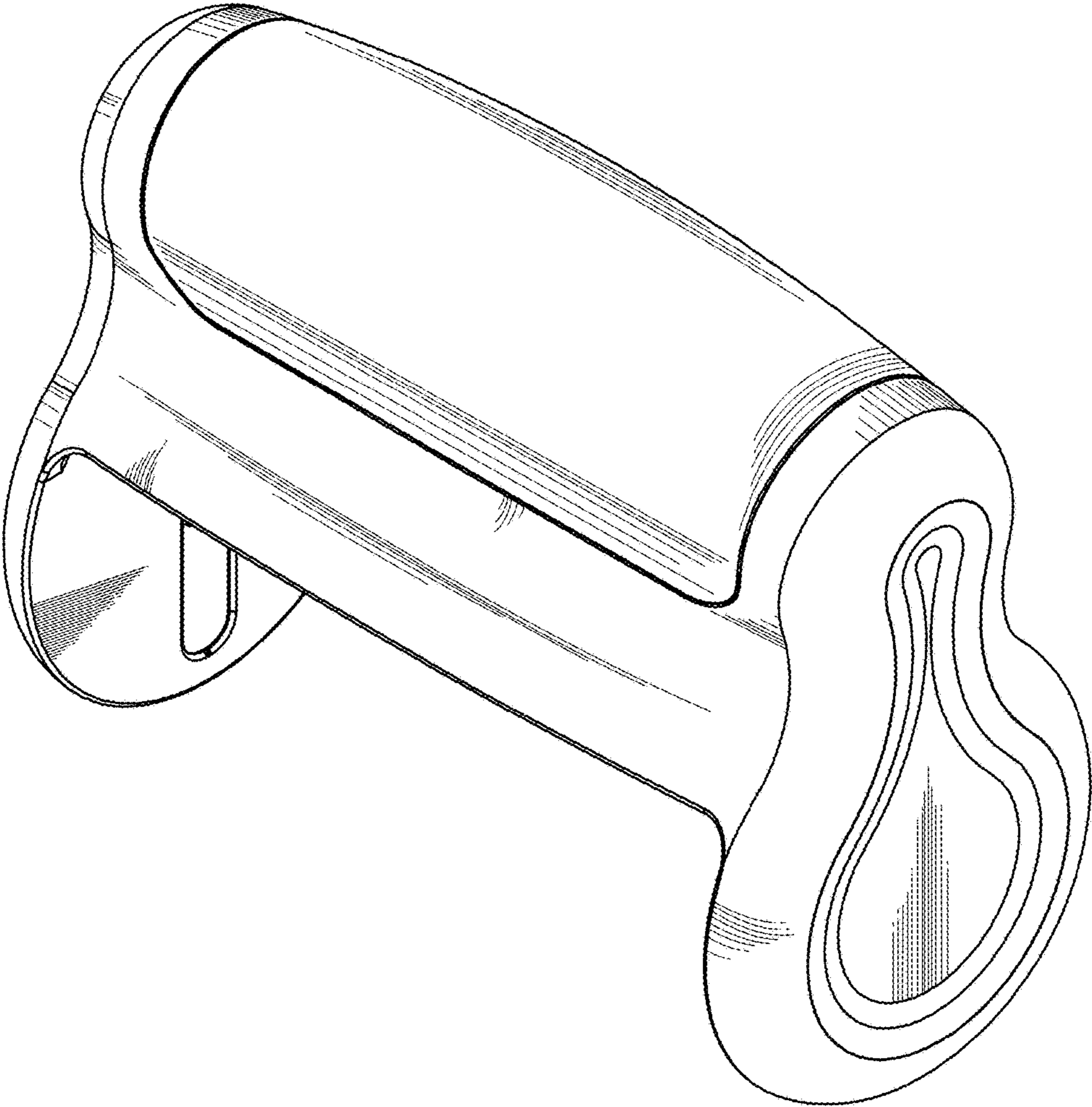


FIG. 4

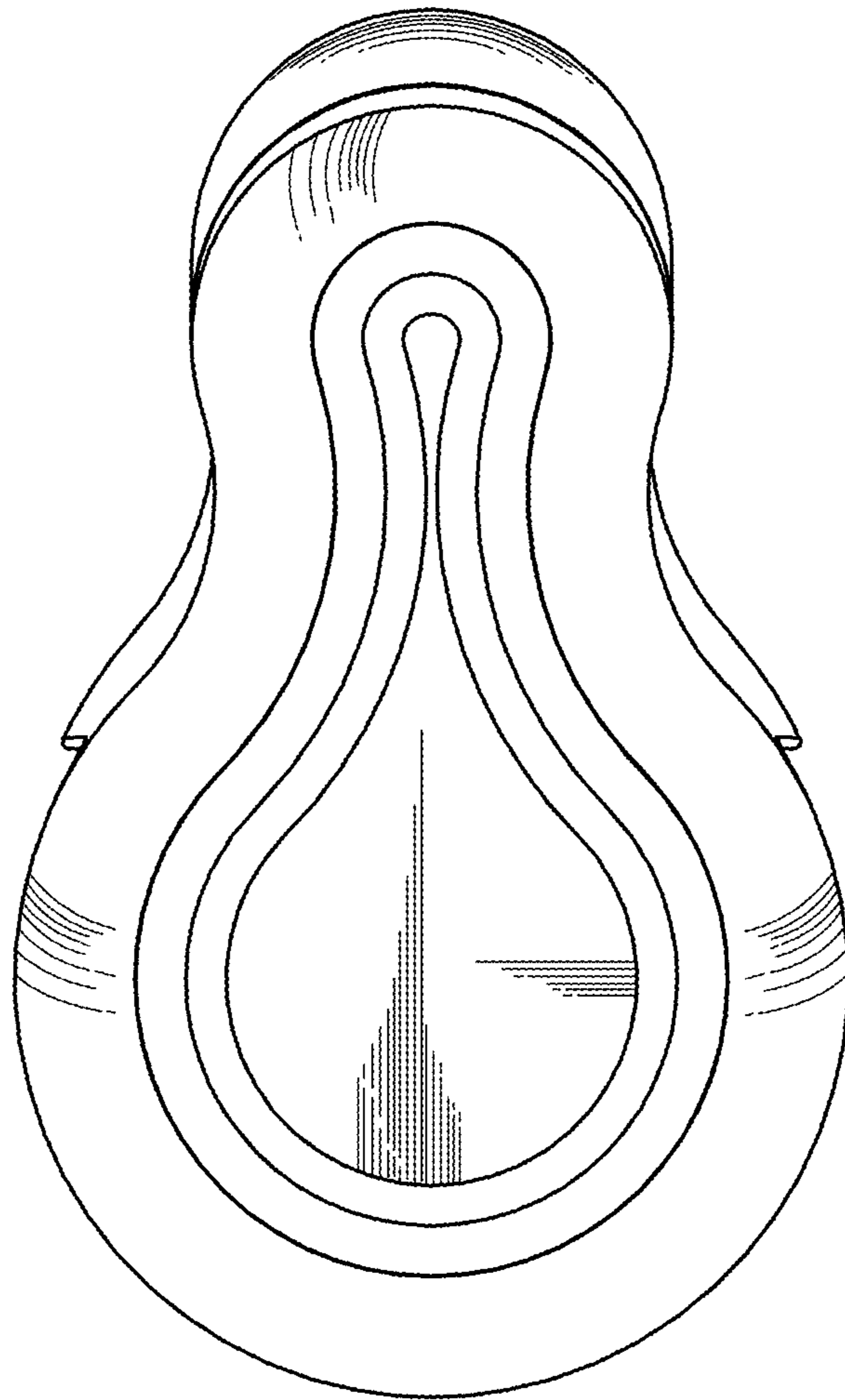


FIG. 5

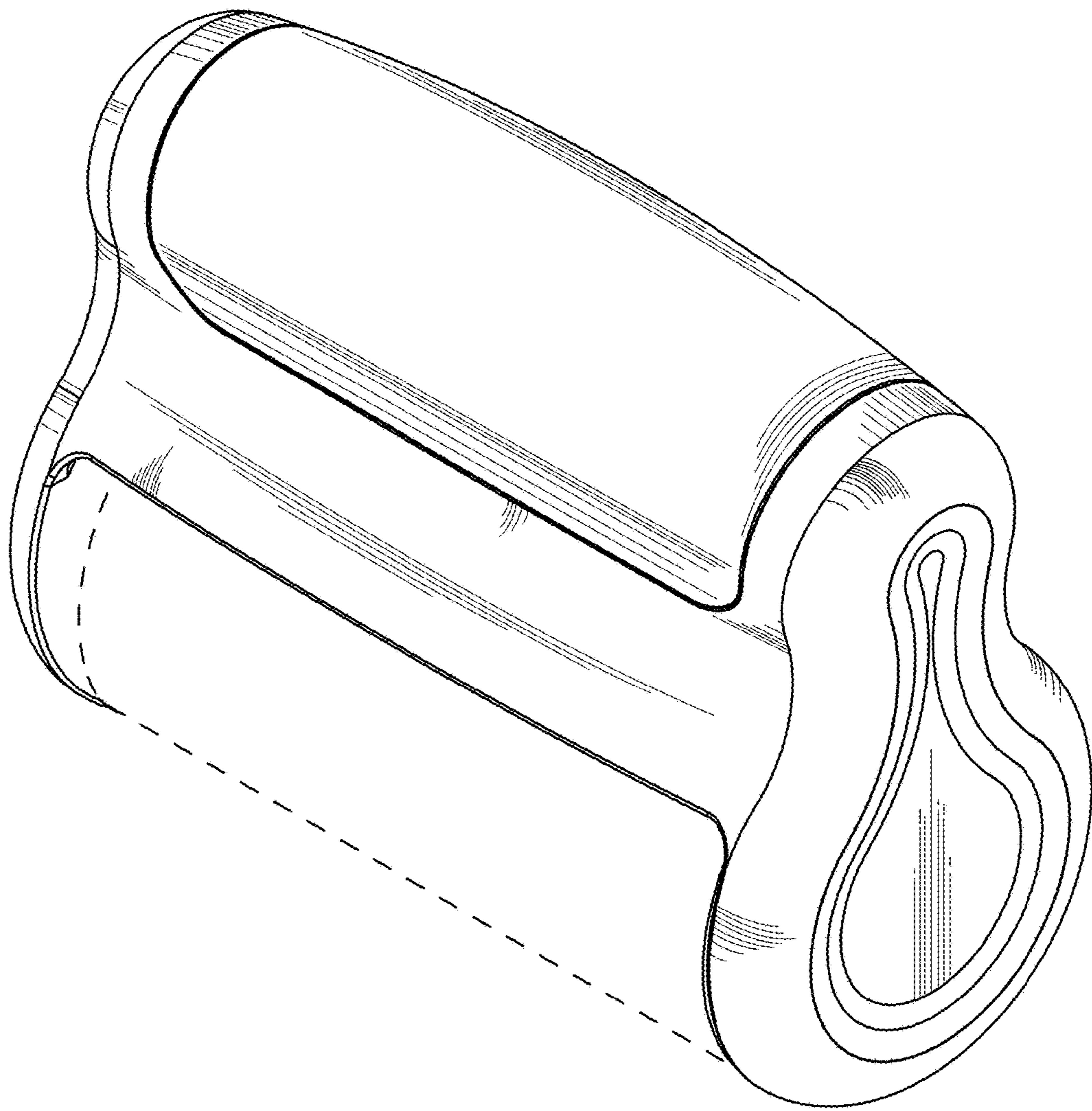


FIG. 6



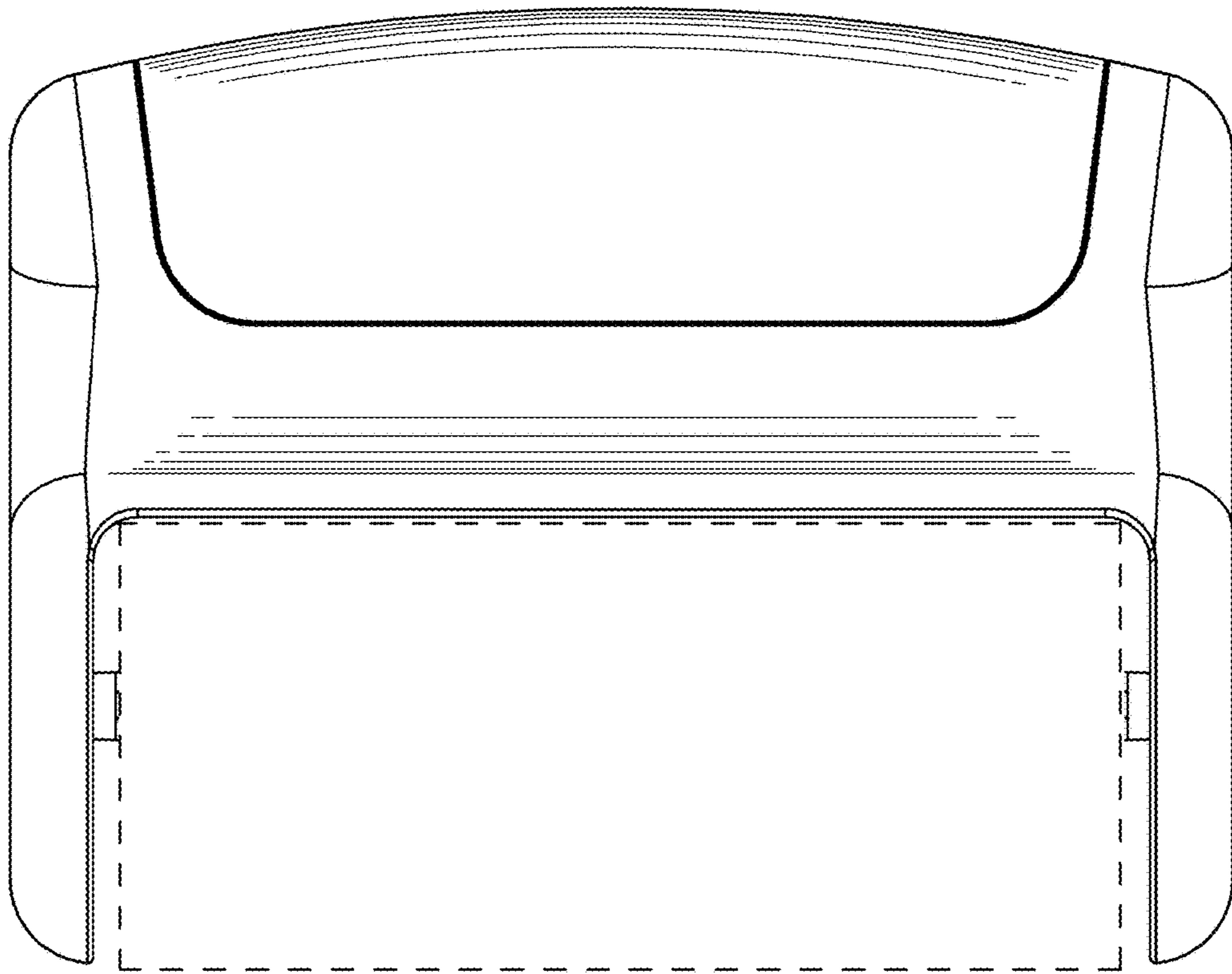


FIG. 7

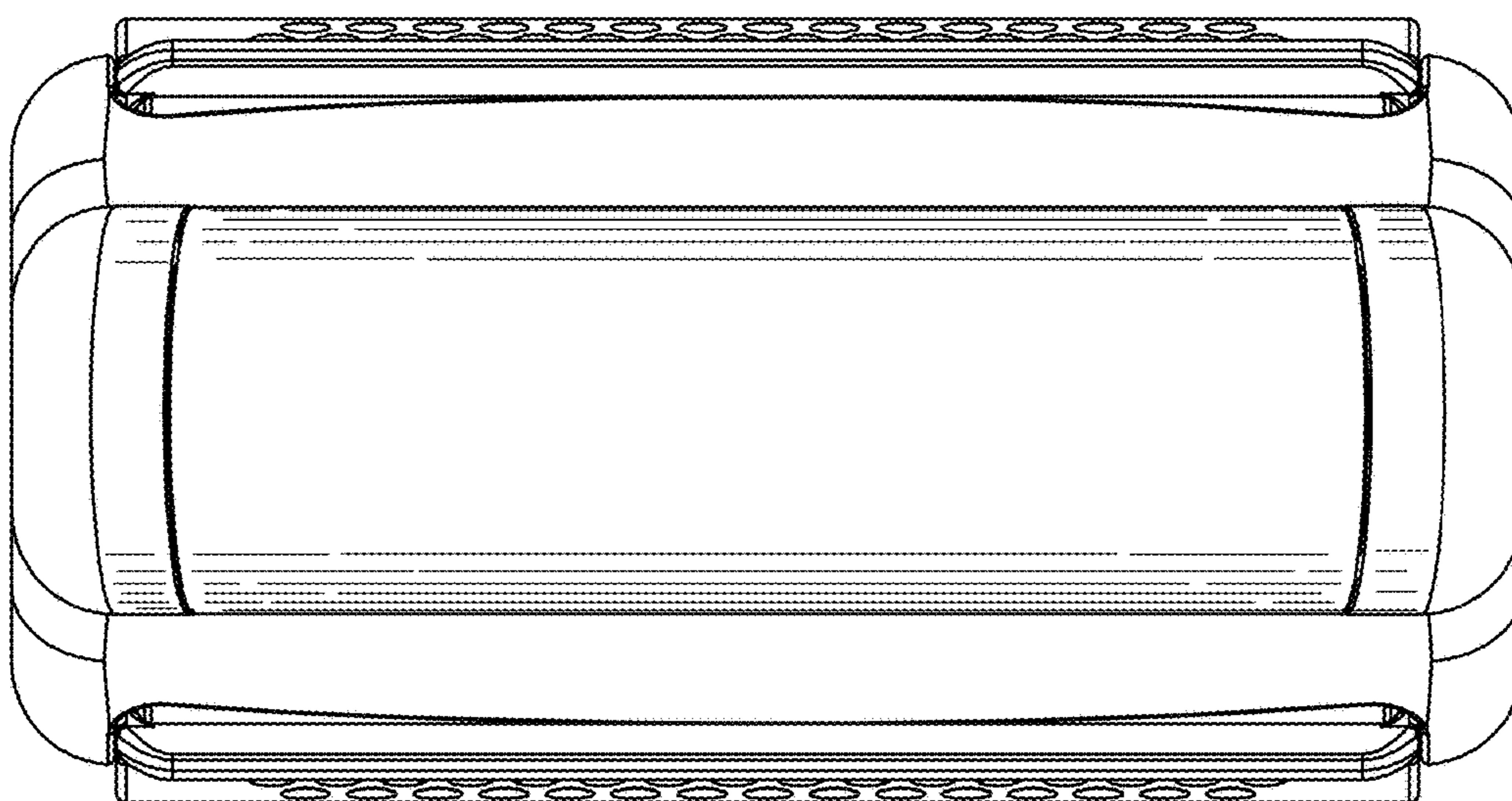


FIG. 8

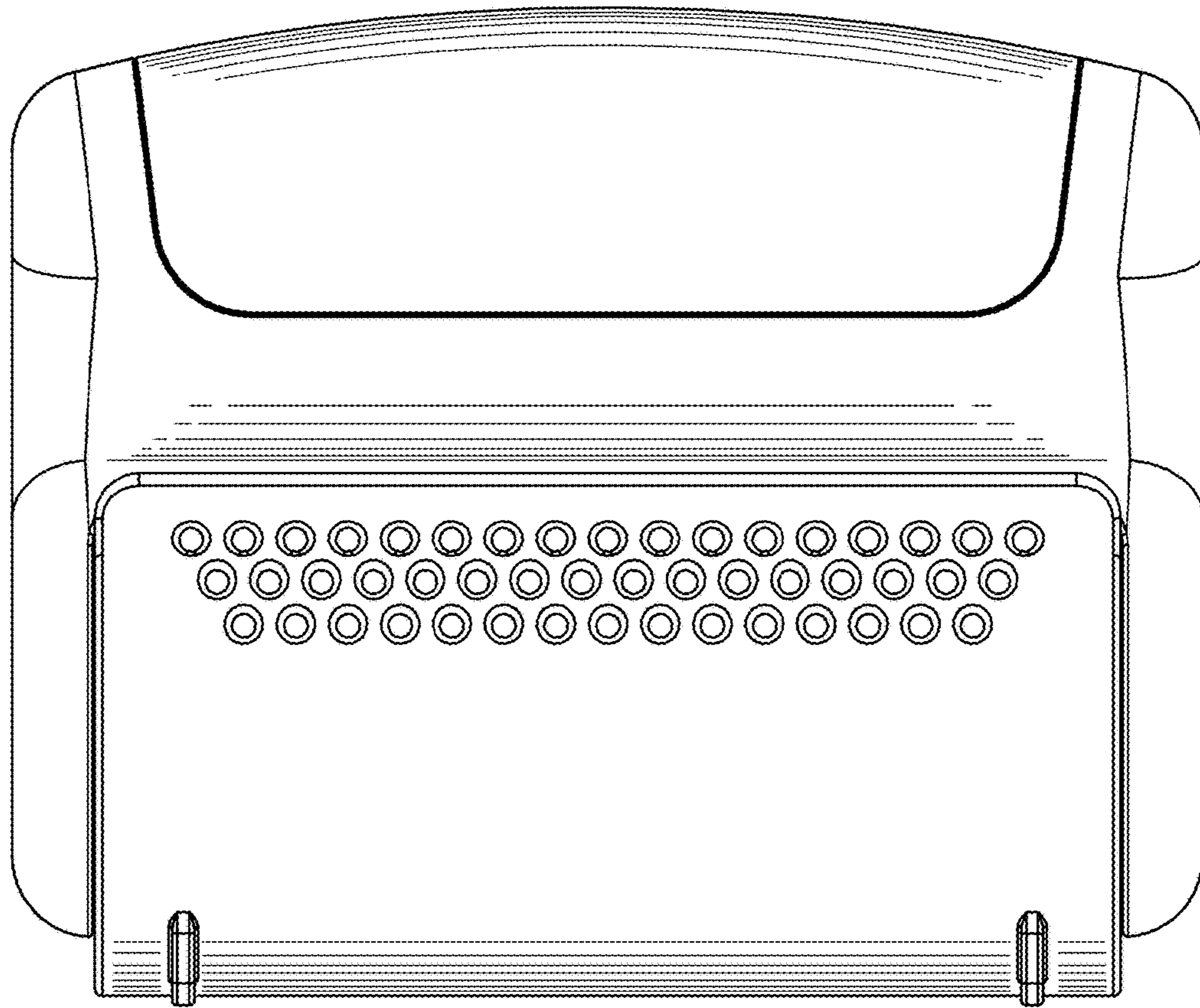


FIG. 9

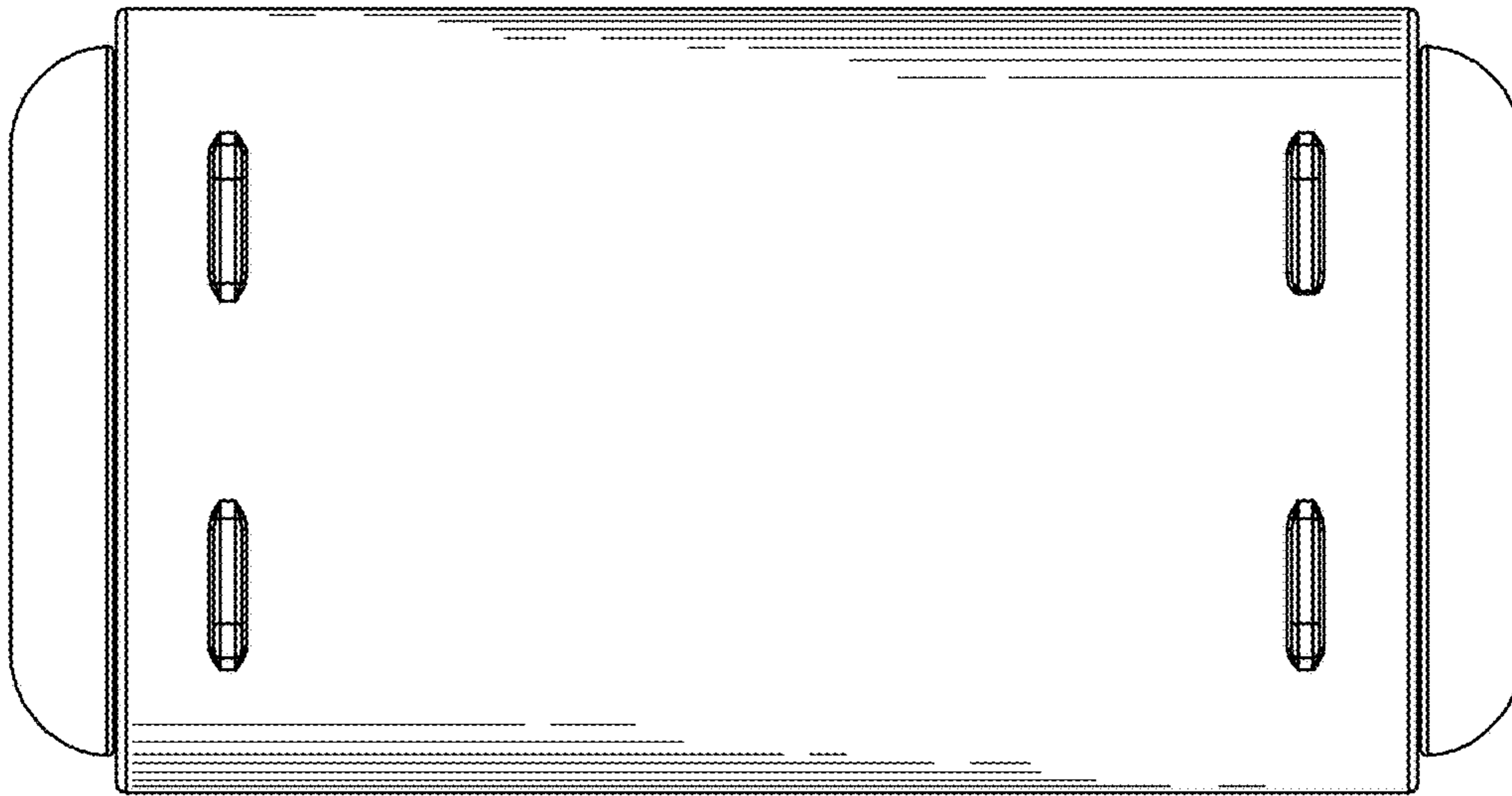


FIG. 10

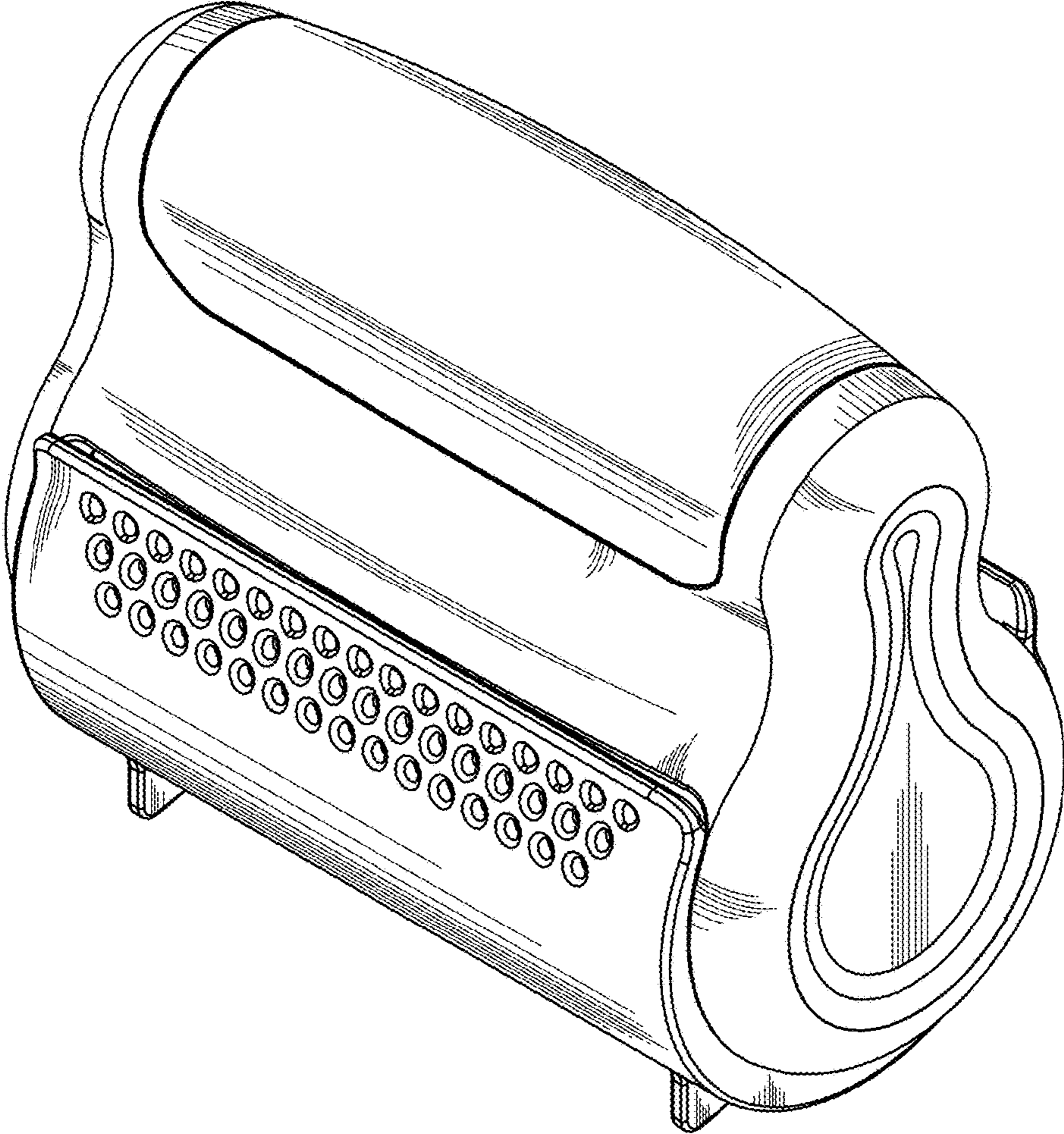


FIG. 11



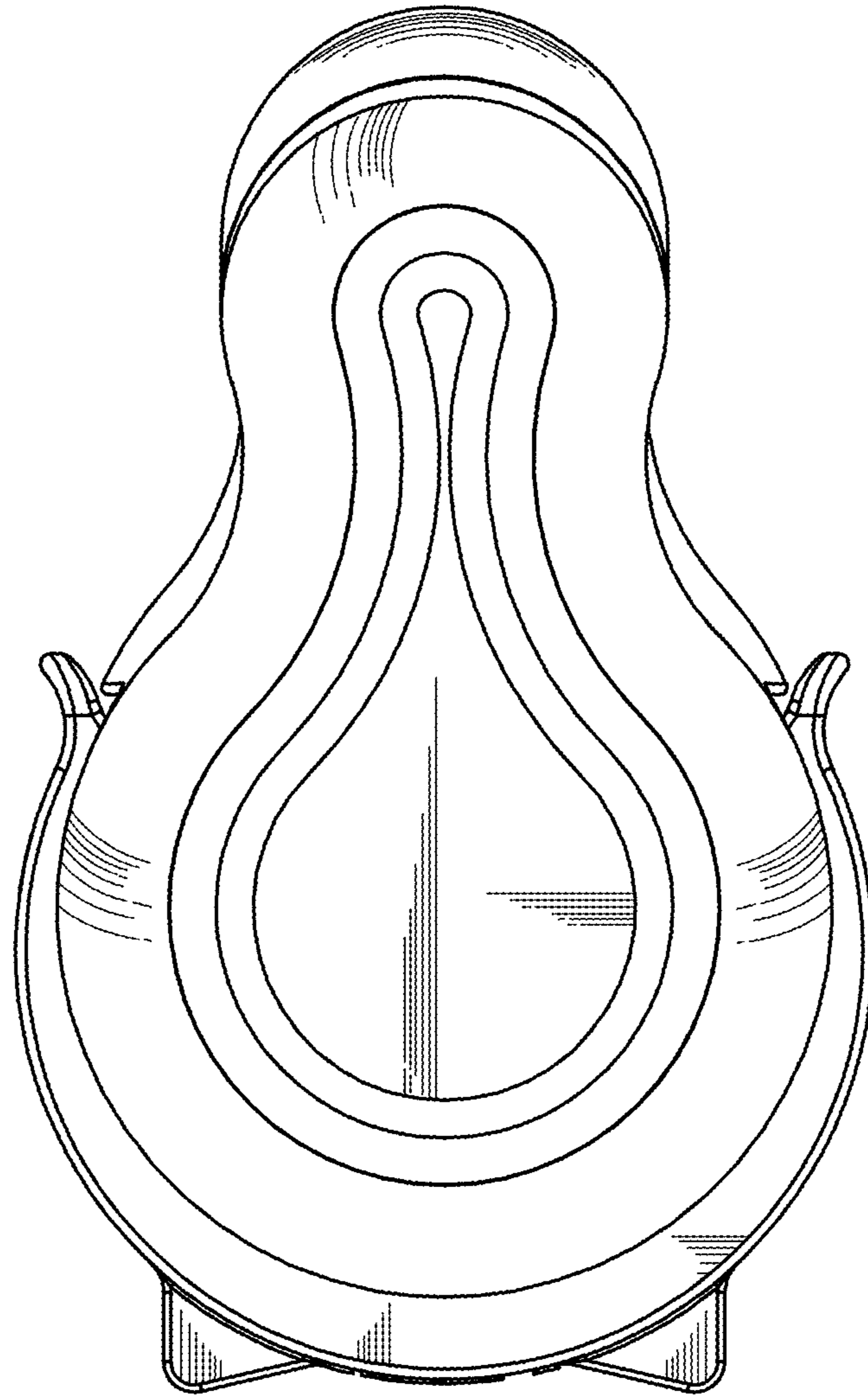


FIG. 12

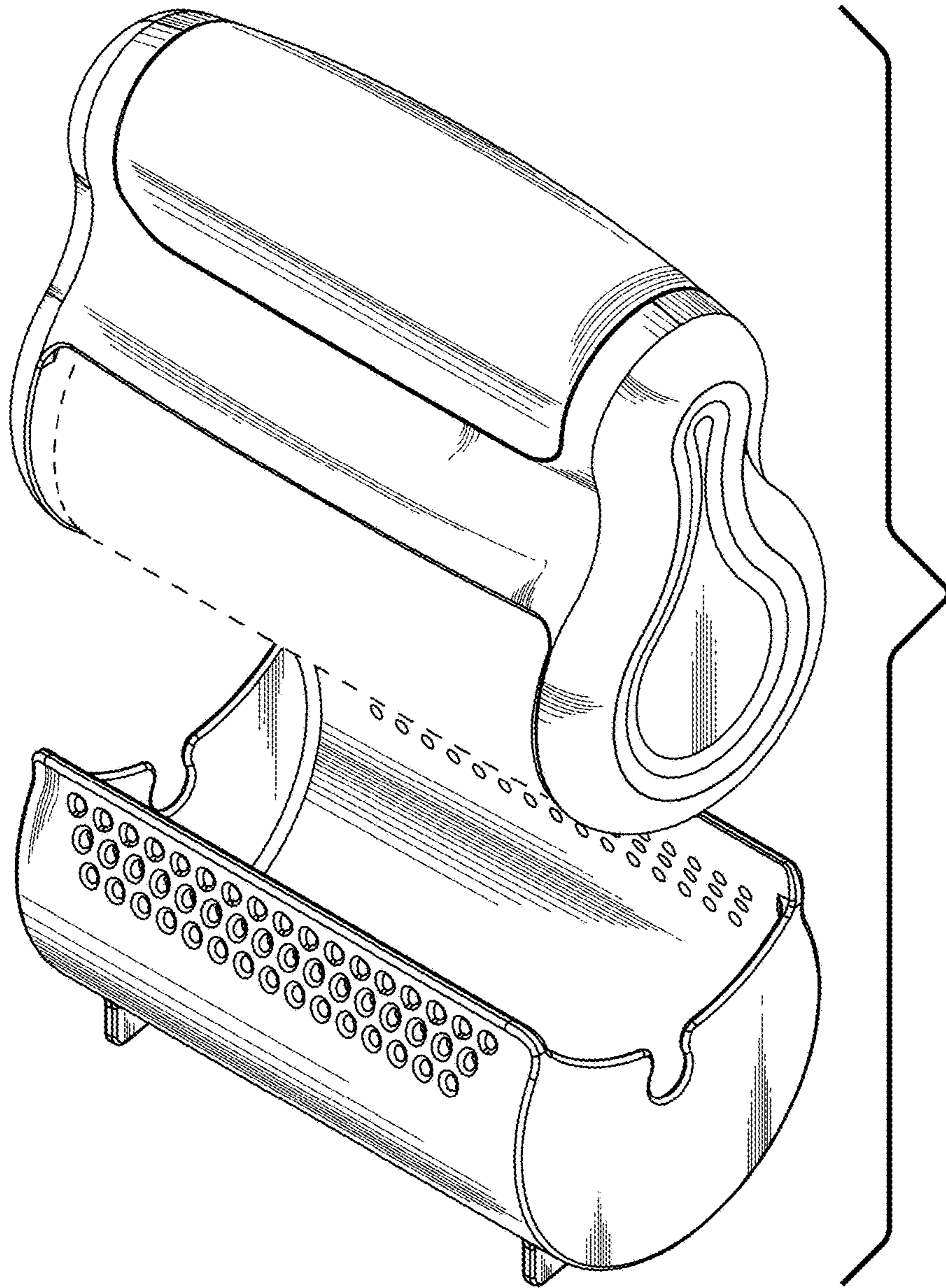


FIG. 13

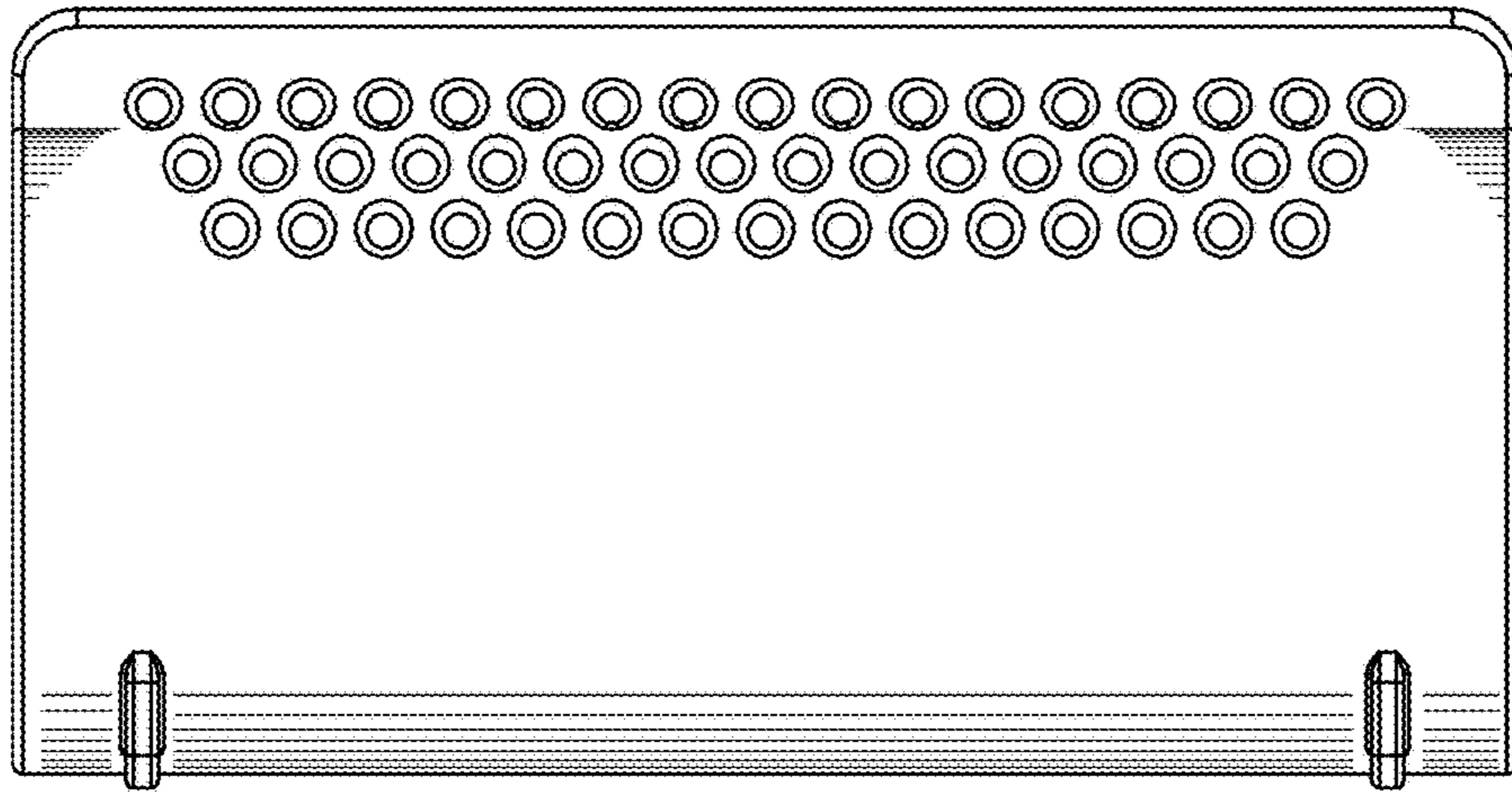


FIG. 14

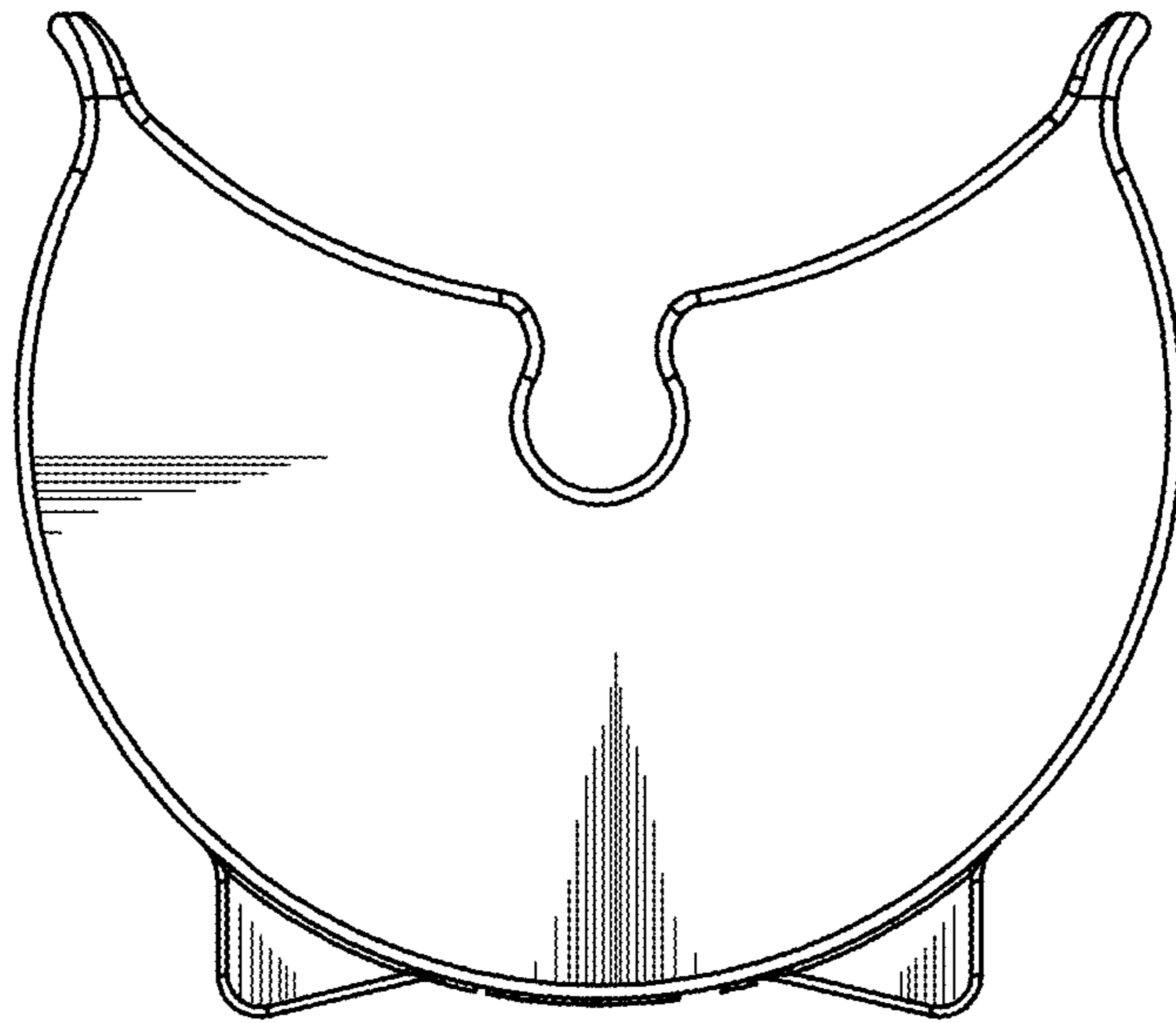


FIG. 15