



US00D826568S

(12) **United States Design Patent**
Sheinkman

(10) **Patent No.:** **US D826,568 S**

(45) **Date of Patent:** **** Aug. 28, 2018**

(54) **TOOTHBRUSH**

(71) Applicant: **Gene Sheinkman**, Brooklyn, NY (US)

(72) Inventor: **Gene Sheinkman**, Brooklyn, NY (US)

(**) Term: **15 Years**

(21) Appl. No.: **29/603,620**

(22) Filed: **May 11, 2017**

(51) **LOC (11) Cl.** **04-02**

(52) **U.S. Cl.**

USPC **D4/105**

(58) **Field of Classification Search**

USPC D4/100, 101, 102, 103, 104, 105, 106,
D4/107, 108, 109, 110, 111, 112, 113,
D4/114, 115, 116, 117, 118, 119, 120,
D4/121, 122, 123, 134, 135, 126, 127,
D4/128, 129, 130, 131, 132, 133, 136,
D4/137, 138, 199

CPC A46B 9/02; A46B 9/04; A46B 15/0081;
A46B 2200/1066; A46B 2200/1073;
A46B 5/02; A46B 9/026

See application file for complete search history.

(56) **References Cited**

U.S. PATENT DOCUMENTS

| | | | | |
|---------------|---------|----------------|-------|-------------------------|
| D108,852 S * | 3/1938 | Herrick et al. | | D4/104 |
| D273,153 S | 3/1984 | Wagner | | |
| D301,397 S * | 6/1989 | Lacher | | D4/104 |
| D315,450 S | 3/1991 | Wagner | | |
| D324,310 S * | 3/1992 | Barman | | D4/106 |
| 5,114,214 A * | 5/1992 | Barman | | A46B 5/0025 15/167.2 |
| D337,201 S * | 7/1993 | Haddad | | D4/107 |
| D363,166 S * | 10/1995 | Perrine | | D4/107 |
| D401,414 S * | 11/1998 | Vrignaud | | D4/106 |
| D401,415 S * | 11/1998 | Vrignaud | | D4/106 |
| 5,842,249 A * | 12/1998 | Sato | | A46B 5/0008 15/167.2 |

| | | | | |
|-------------------|---------|------------|-------|-------------------------|
| D446,655 S * | 8/2001 | Demore | | D4/138 |
| 6,739,016 B2 * | 5/2004 | Bigio | | A46B 9/023 132/120 |
| 7,036,180 B2 * | 5/2006 | Hanlon | | A46B 5/02 15/106 |
| D656,733 S * | 4/2012 | Barman | | D4/101 |
| D696,021 S * | 12/2013 | Hegemann | | D4/101 |
| D781,056 S * | 3/2017 | Scheier | | D4/110 |
| D790,864 S * | 7/2017 | Zemel | | D4/135 |
| 2002/0157202 A1 * | 10/2002 | Hartel | | A46B 5/0025 15/167.2 |
| 2008/0196185 A1 * | 8/2008 | Gatzemeyer | | A46B 15/0002 15/23 |
| 2008/0216257 A1 * | 9/2008 | Ahadpour | | A46B 5/0012 15/22.1 |

(Continued)

Primary Examiner — Karen E Eldridge Powers

(74) *Attorney, Agent, or Firm* — Seth Natter; Natter & Natter

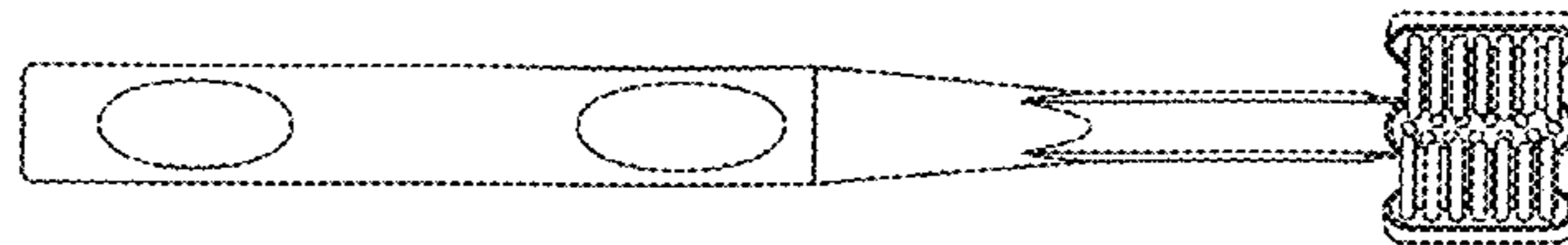
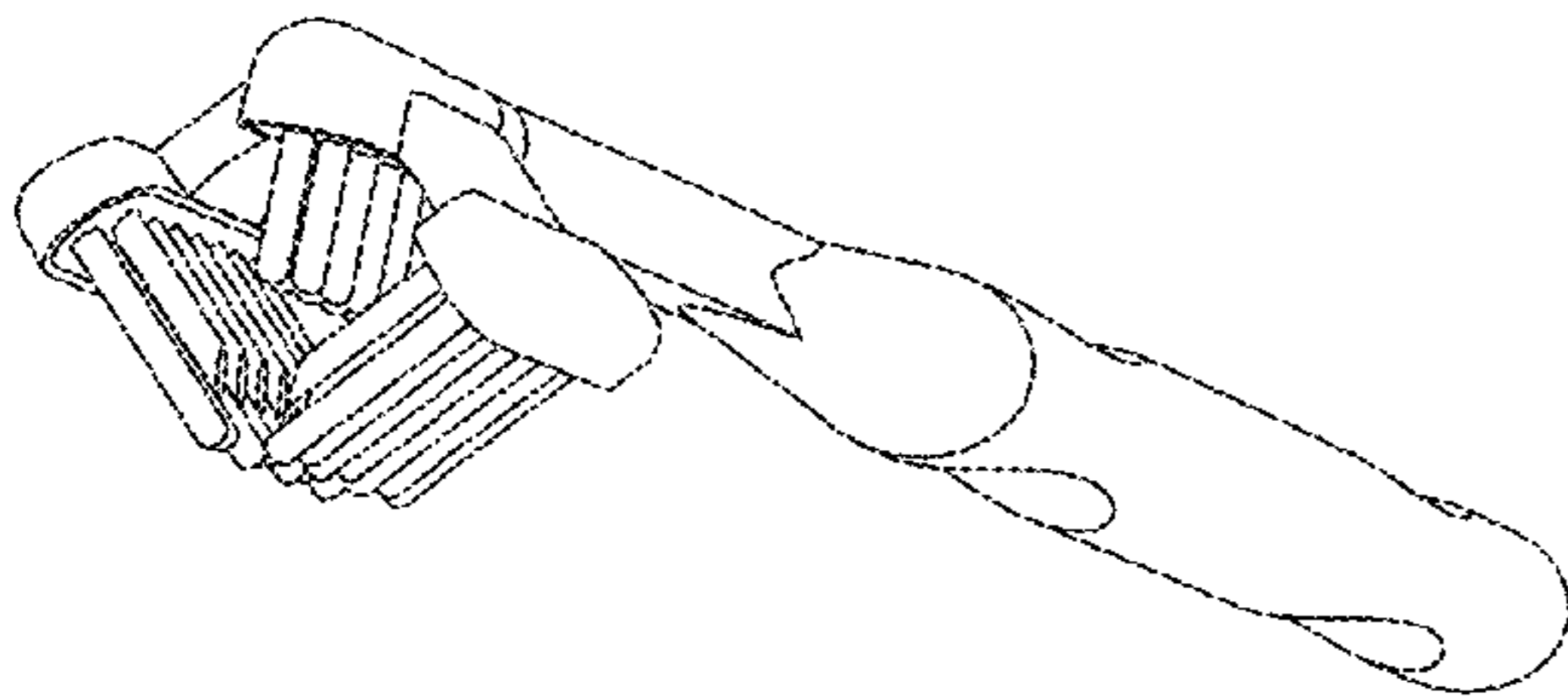
(57) **CLAIM**

I claim the ornamental design for a toothbrush, as shown and described.

DESCRIPTION

FIG. 1 is a perspective view of a toothbrush showing my new design;
 FIG. 2 is a reduced scale isometric view thereof taken from the left side;
 FIG. 3 is a side elevation view thereof;
 FIG. 4 is a bottom plan view thereof;
 FIG. 5 is an enlarged scale end view thereof;
 FIG. 6 is a top plan view thereof;
 FIG. 7 is a sectional view thereof taken along the plane 7-7 of FIG. 6; and,
 FIG. 8 is a sectional view thereof taken along the plane 8-8 of FIG. 6.
 The side elevation not illustrated is as mirror image of the side elevation illustrated in FIG. 3.

1 Claim, 4 Drawing Sheets



(56)

References Cited

U.S. PATENT DOCUMENTS

2011/0056037 A1* 3/2011 Zeng A46B 5/0025
15/167.2
2011/0072604 A1* 3/2011 Alvarenga A46B 9/026
15/167.2

* cited by examiner

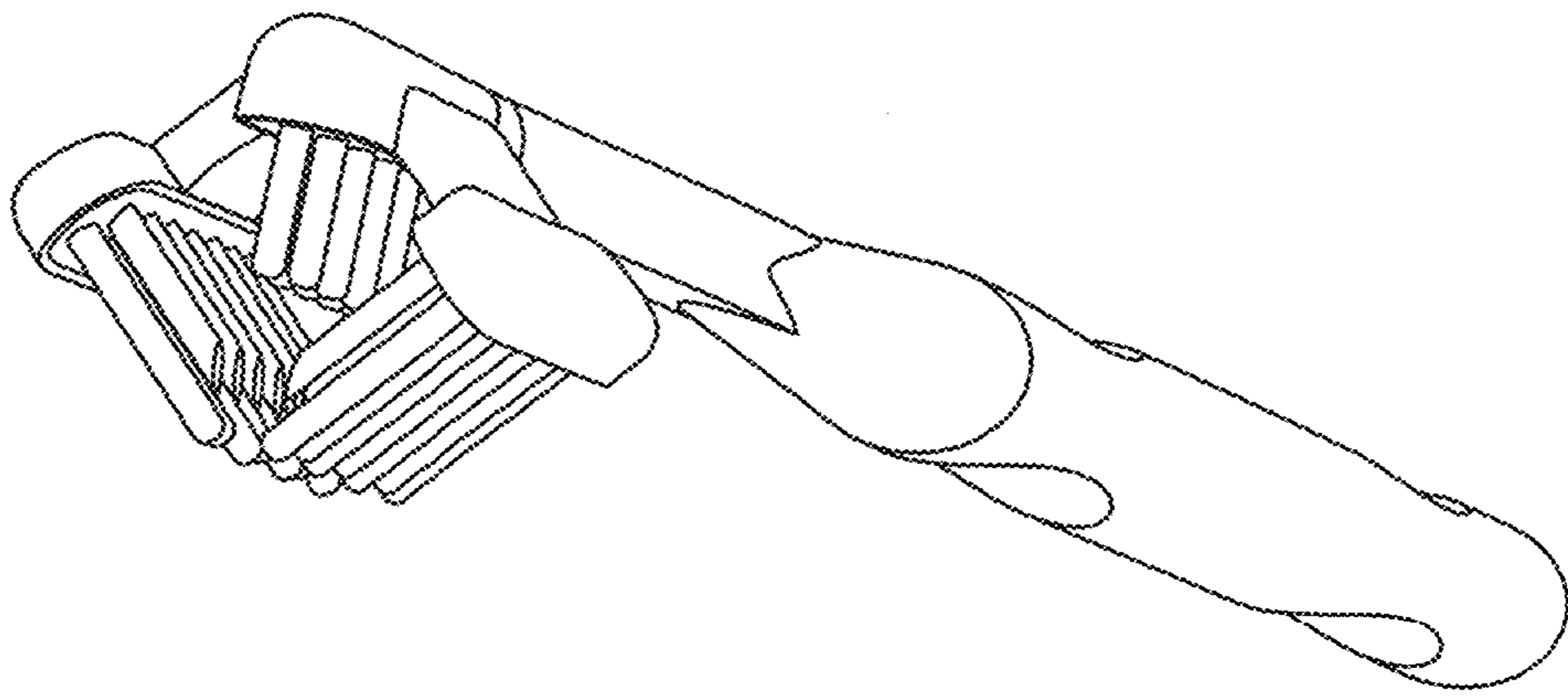


Fig. 1

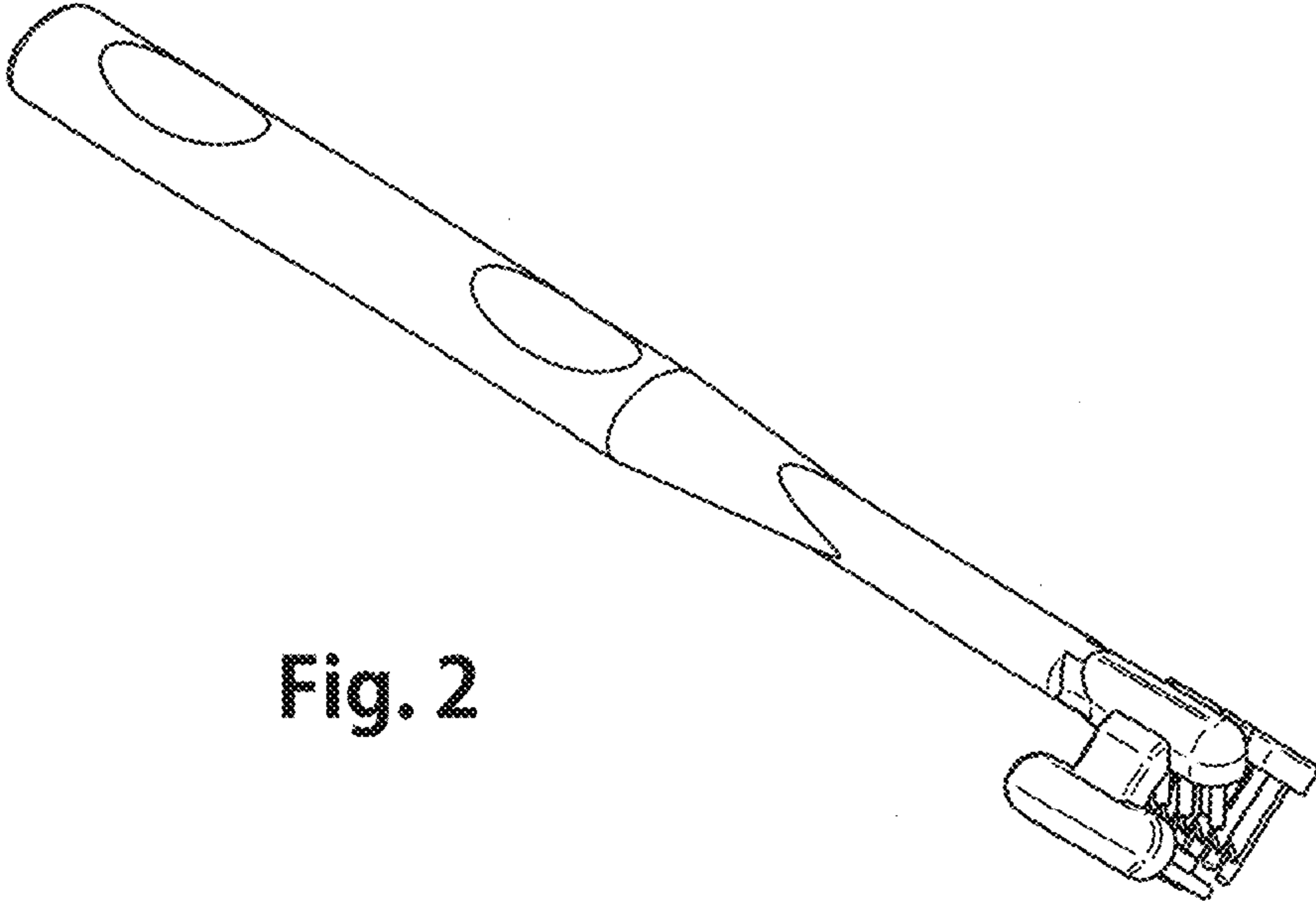


Fig. 2

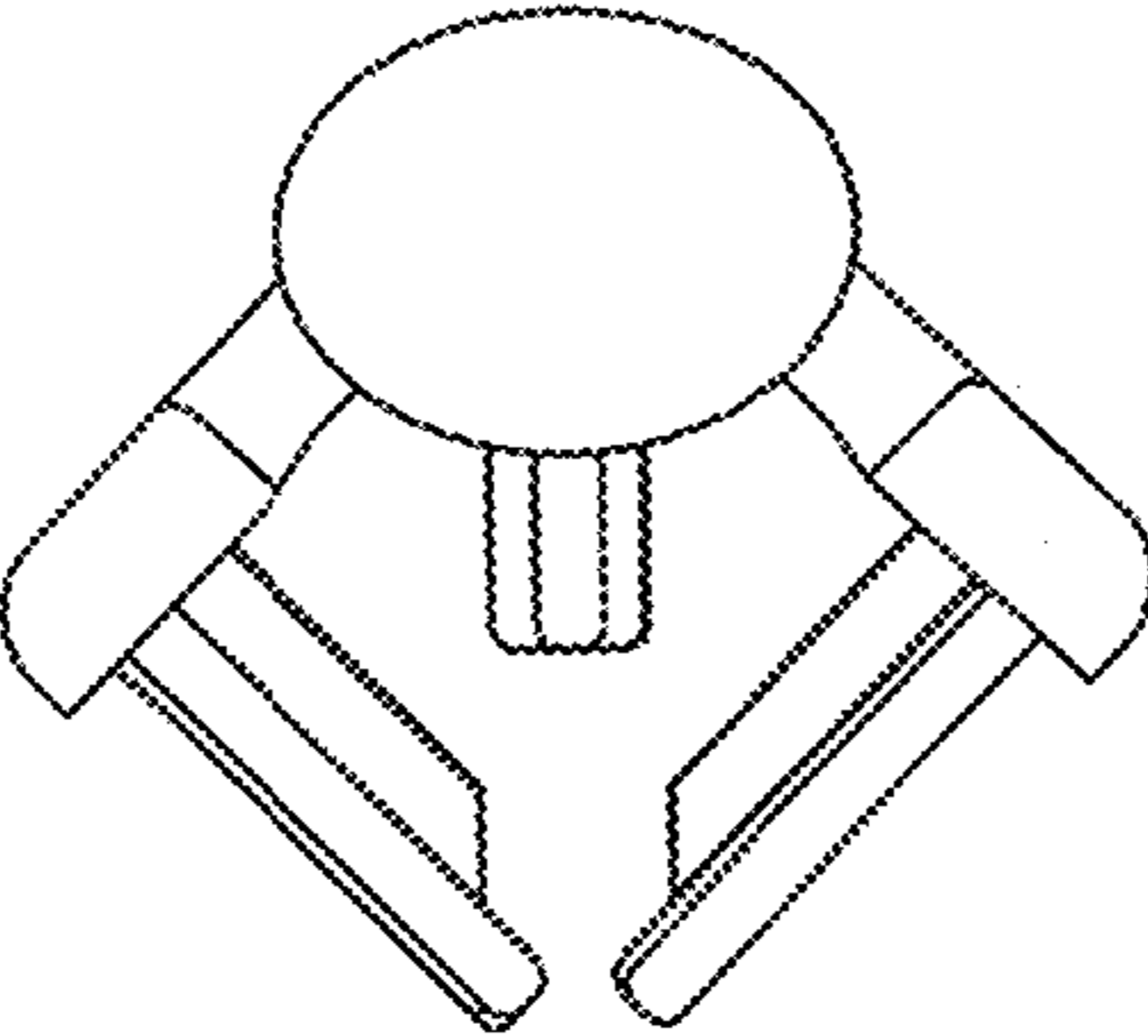


Fig. 5

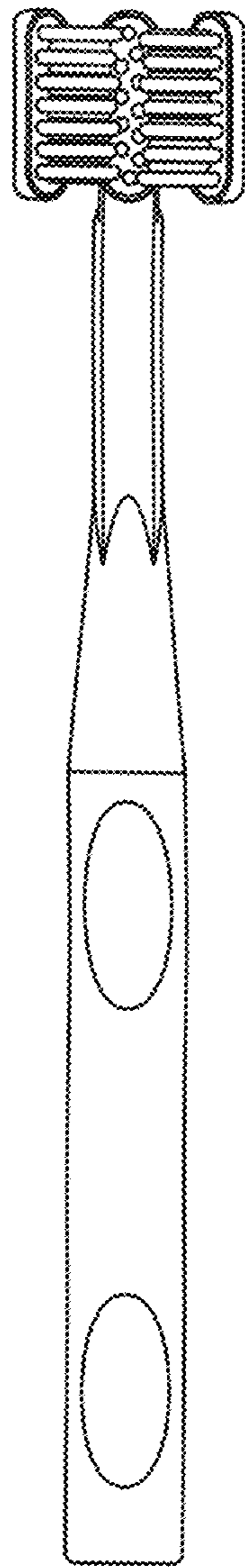


Fig. 4

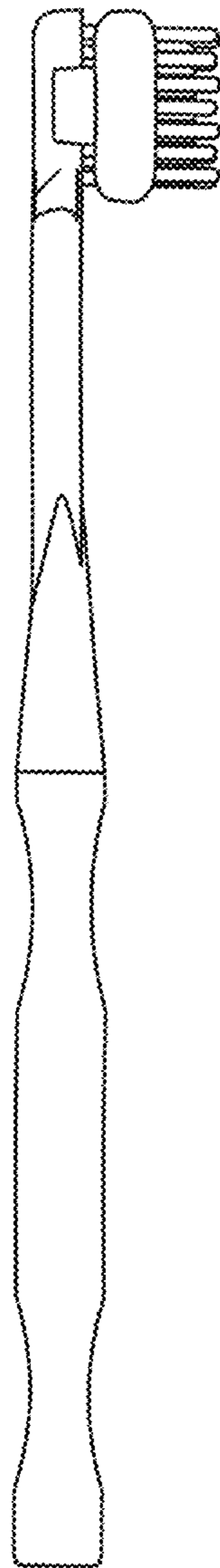


Fig. 3

Fig. 6

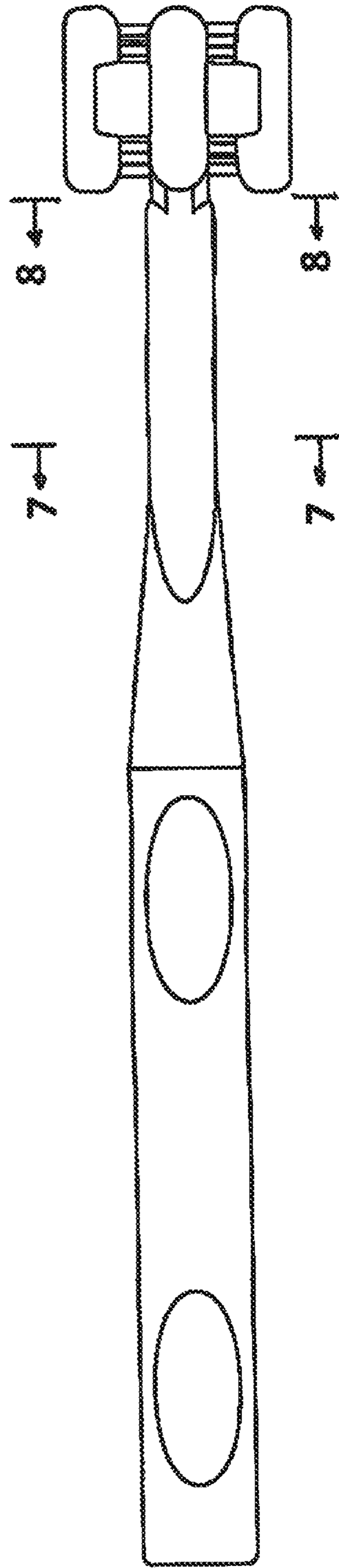


Fig. 7

Fig. 8