



US00D826566S

(12) **United States Design Patent** (10) **Patent No.:** **US D826,566 S**
Salvador (45) **Date of Patent:** **** Aug. 28, 2018**

(54) **FLIP CLASP FOR A BAG**
(71) Applicant: **ALDO GROUP INTERNATIONAL AG**, Baar (CH)
(72) Inventor: **Jennifer Salvador**, Quebec (CA)
(73) Assignee: **Aldo Group International AG**, Baar, ZG (CH)
(**) Term: **15 Years**

D557,010 S * 12/2007 Gonzalez D3/243
D621,157 S * 8/2010 Achilles D3/323
D698,154 S * 1/2014 Ford D3/318
D718,536 S * 12/2014 Guichot D3/324
D726,409 S * 4/2015 Fusi D3/243
D772,564 S * 11/2016 Michele D3/243
D787,819 S * 5/2017 Fusi D3/243
D789,693 S * 6/2017 Gerbelle D3/324
D796,190 S * 9/2017 Fusi D3/243
D797,457 S * 9/2017 Gerbelle D3/324
D801,693 S * 11/2017 Salvador D3/324
D802,917 S * 11/2017 Fusi D3/243

* cited by examiner

(21) Appl. No.: **35/001,322**

Primary Examiner — Manpreet S Matharu

(22) Filed: **Feb. 7, 2017**

Assistant Examiner — Holly E Thurman

(80) **Hague Agreement Data**

(74) *Attorney, Agent, or Firm* — Drinker Biddle & Reath LLP

Int. Filing Date: **Feb. 7, 2017**
Int. Reg. No.: **DM/094998**
Int. Reg. Date: **Feb. 7, 2017**
Int. Reg. Pub. Date: **Aug. 11, 2017**

(57) **CLAIM**

The ornamental design for a flip clasp for a bag, as shown and described.

(51) **LOC (11) Cl.** **03-01**
(52) **U.S. Cl.**
USPC **D3/324**

DESCRIPTION

(58) **Field of Classification Search**
USPC D3/226, 229, 230, 232–234, 239–246,
D3/270, 306, 318, 321–328; D8/330,
D8/331, 341, 343–346, 349
CPC A45C 11/18; A45C 11/182; A45C 1/024
See application file for complete search history.

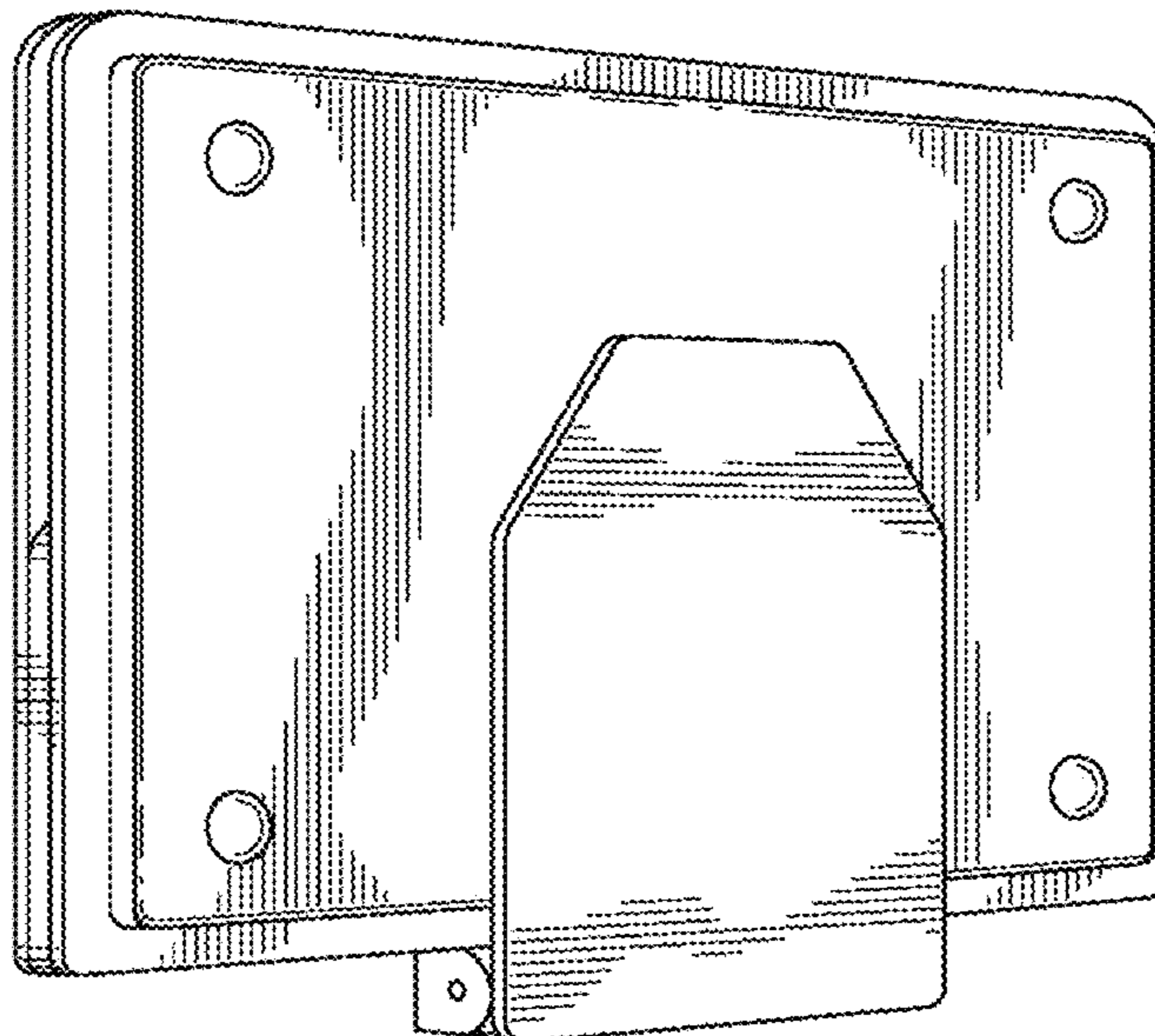
1. Flip clasp for a bag
1.1 : Perspective
1.2 : Front
1.3 : Back
1.4 : Right
1.5 : Left
1.6 : Top
1.7 : Bottom
1.8 : Perspective view on a bag
1.9 : Alternate perspective view on a bag
The dashed lines in the drawings depict environment and form no part of the claimed design.

(56) **References Cited**

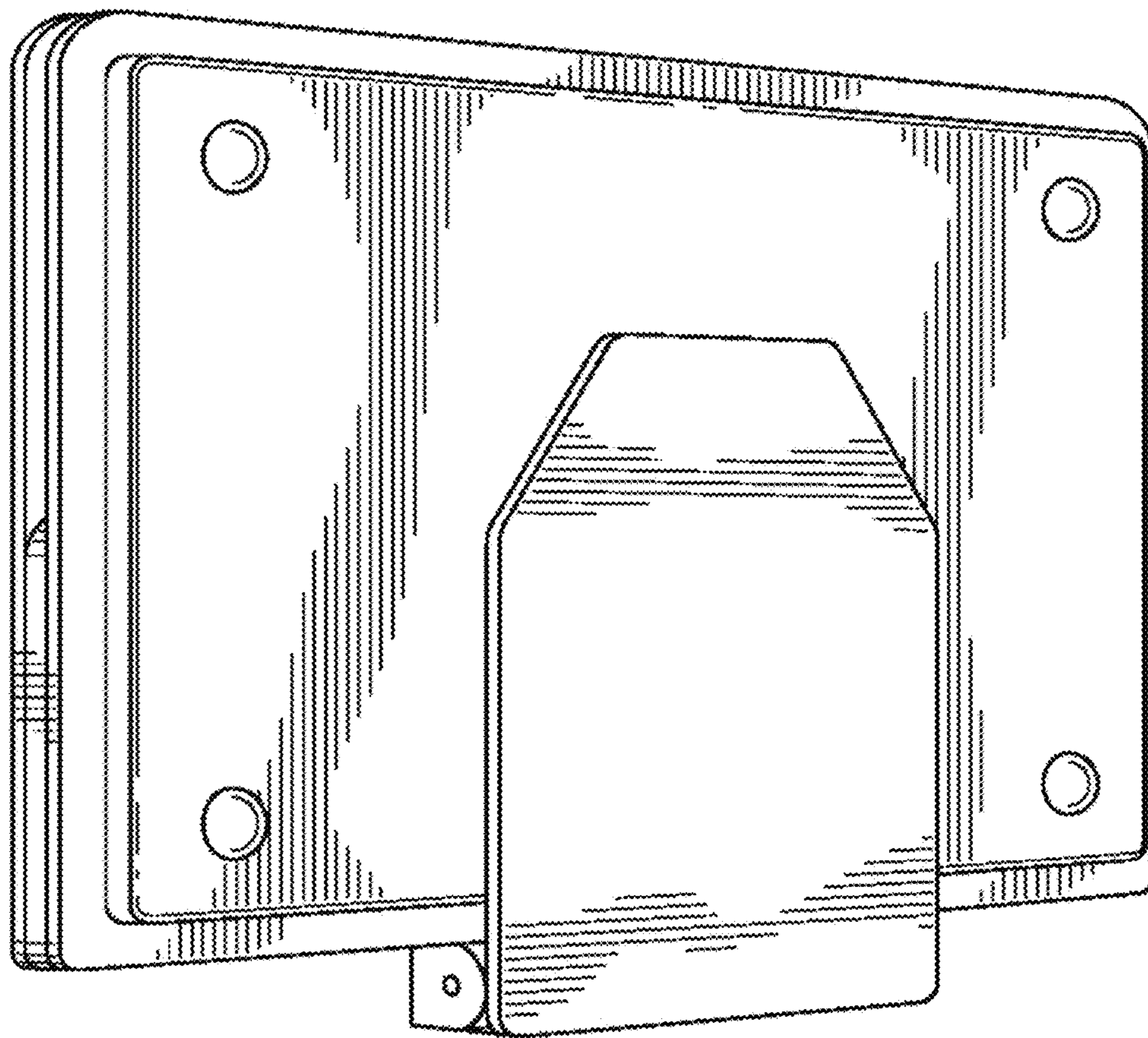
U.S. PATENT DOCUMENTS

D543,026 S * 5/2007 Gonzalez D3/243
D547,944 S * 8/2007 Gonzalez D3/232

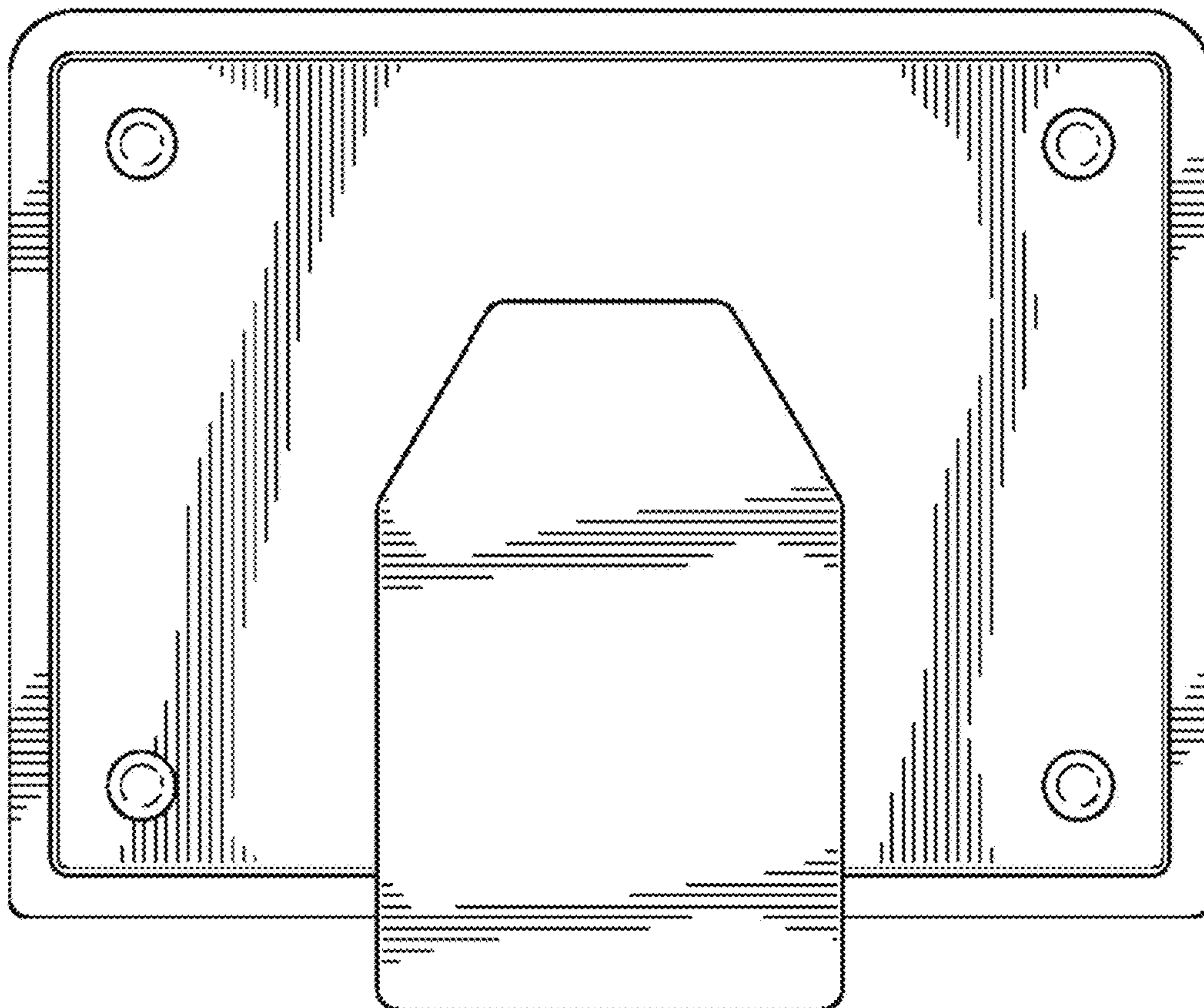
1 Claim, 9 Drawing Sheets



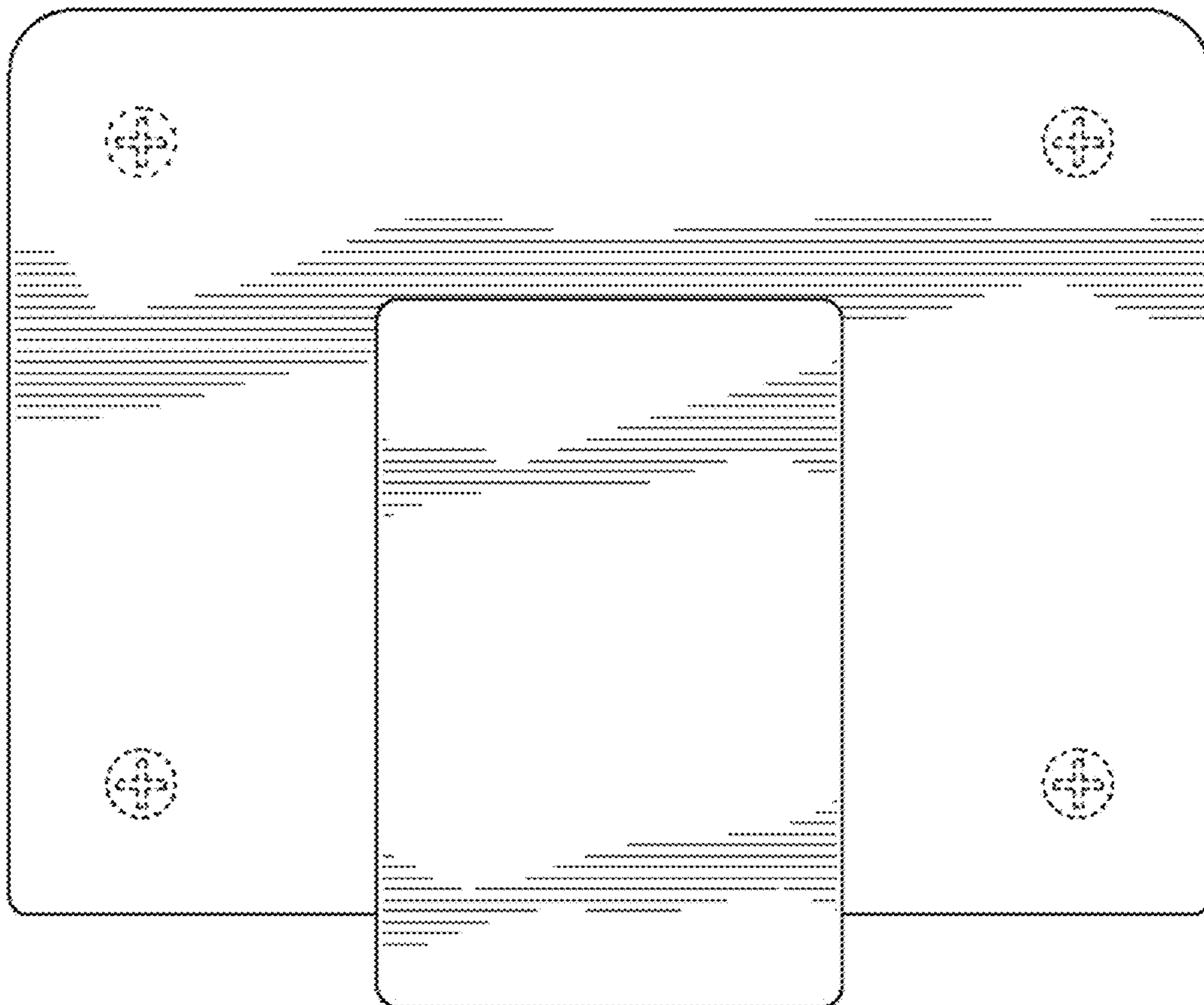
1.1



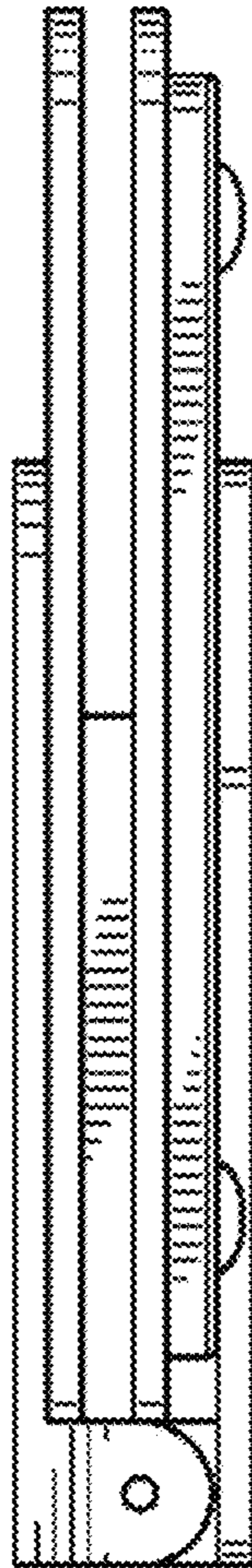
1.2



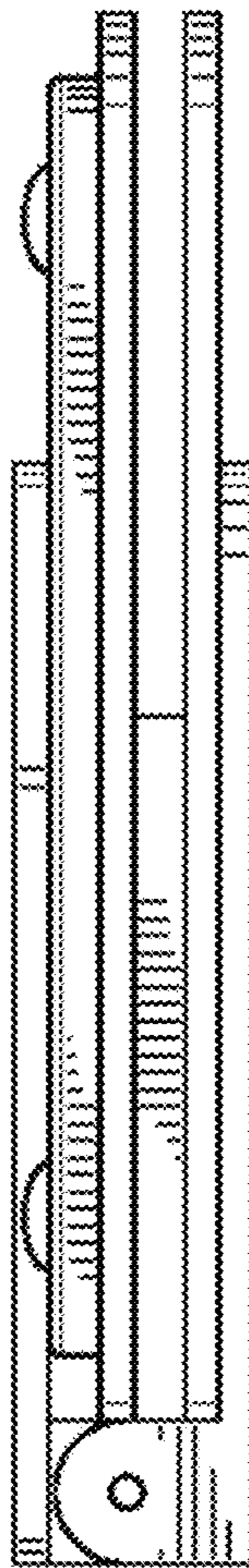
1.3



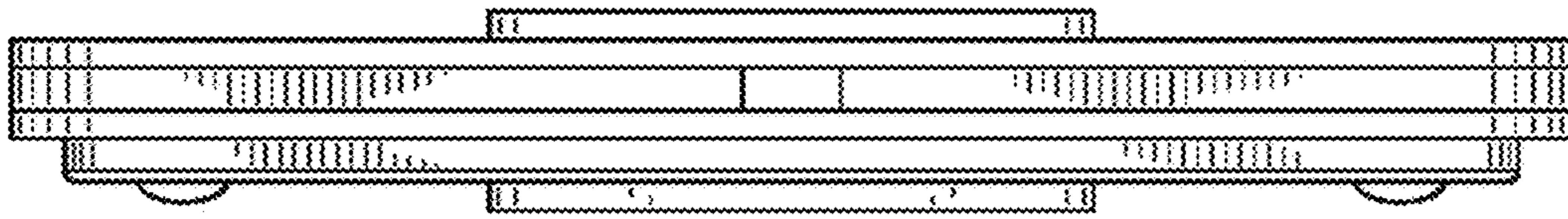
1.4



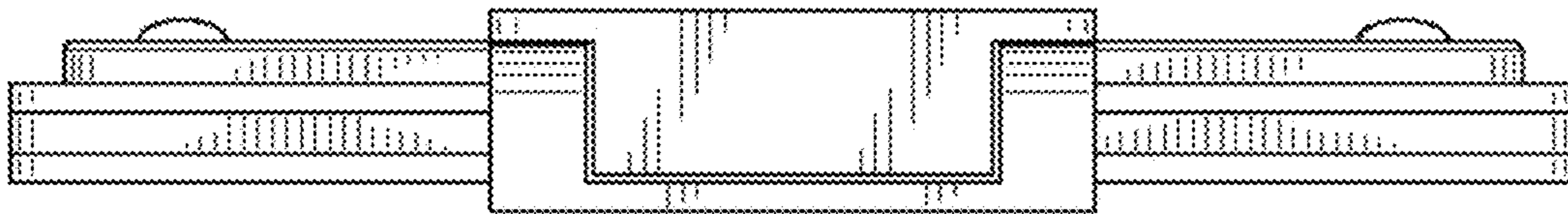
1.5



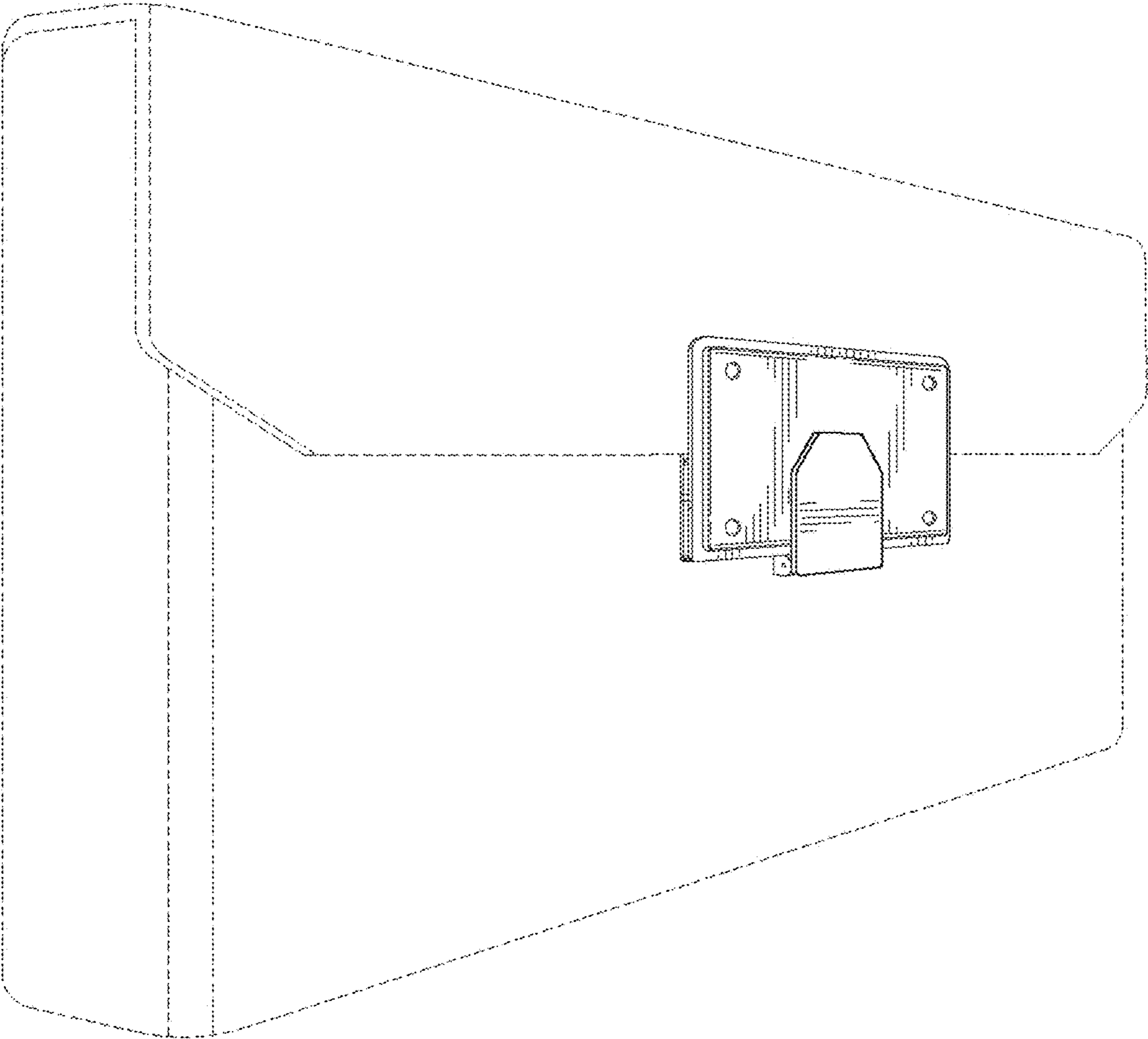
1.6



1.7



1.8



1.9

