



US00D826561S

(12) **United States Design Patent**
Prisco et al.

(10) **Patent No.:** **US D826,561 S**
(45) **Date of Patent:** **** Aug. 28, 2018**

- (54) **ATHLETIC FOOTWEAR CARRIER**
- (71) Applicants: **Geoffrey Prisco**, Brooklyn, NY (US);
Alex Baril, Brooklyn, NY (US)
- (72) Inventors: **Geoffrey Prisco**, Brooklyn, NY (US);
Alex Baril, Brooklyn, NY (US)

D404,196 S *	1/1999	Heyward	D3/221
D578,763 S *	10/2008	Walker	D3/231
7,735,244 B1 *	6/2010	Ameche	A43B 3/24 36/102
D687,635 S *	8/2013	Choi	D3/317
9,169,057 B2 *	10/2015	Bookhamer	A45F 5/02
9,770,086 B2 *	9/2017	Prisco	A45F 3/14
2011/0101052 A1 *	5/2011	Armstrong	A45F 3/14 224/254

(**) Term: **15 Years**

(21) Appl. No.: **29/621,432**

(22) Filed: **Oct. 8, 2017**

Related U.S. Application Data

(63) Continuation-in-part of application No. 29/556,907,
filed on Mar. 4, 2016.

(51) **LOC (11) Cl.** **03-02**

(52) **U.S. Cl.**
USPC **D3/317**

(58) **Field of Classification Search**
USPC D3/317
CPC A45C 3/12; A45C 3/00; A45F 3/14; A45F
3/00; A43B 5/04
See application file for complete search history.

(56) **References Cited**

U.S. PATENT DOCUMENTS

- 4,790,462 A * 12/1988 Kawaguchi A43B 5/0425
224/250
- D335,576 S * 5/1993 Phillpott D3/317

* cited by examiner

Primary Examiner — Charles D Hanson

(74) *Attorney, Agent, or Firm* — Grant Attorneys at Law
PLLC; Kristin A. Grant

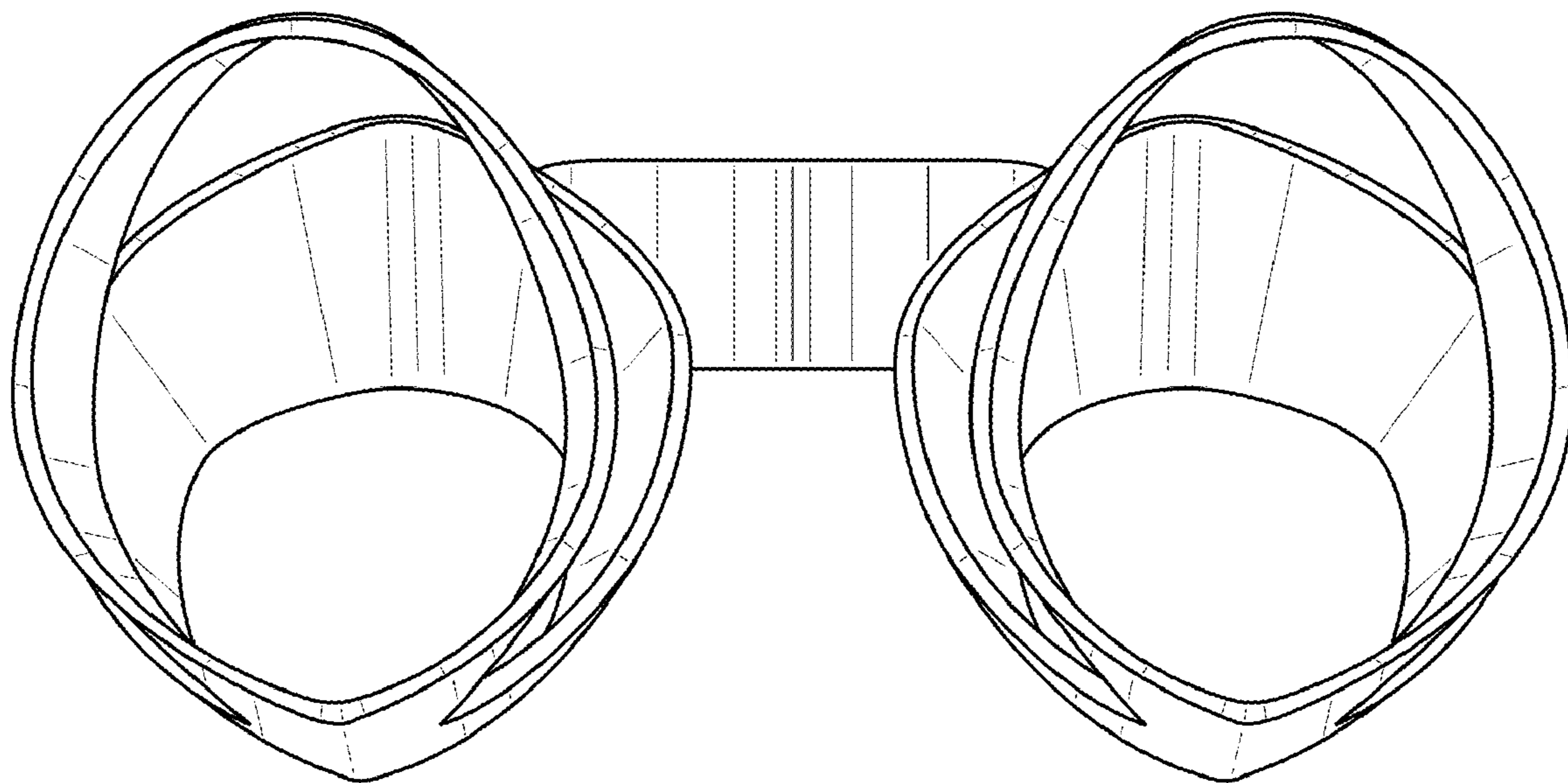
(57) **CLAIM**

The ornamental design for an athletic footwear carrier, as
shown and described.

DESCRIPTION

FIG. 1 is a front view of an embodiment of an athletic
footwear carrier according to the present invention;
FIG. 2 is a rear view thereof;
FIG. 3 is a partial right side view thereof;
FIG. 4 is a top view thereof;
FIG. 5 is a bottom view thereof; and,
FIG. 6 is a partial left side view thereof.

1 Claim, 6 Drawing Sheets



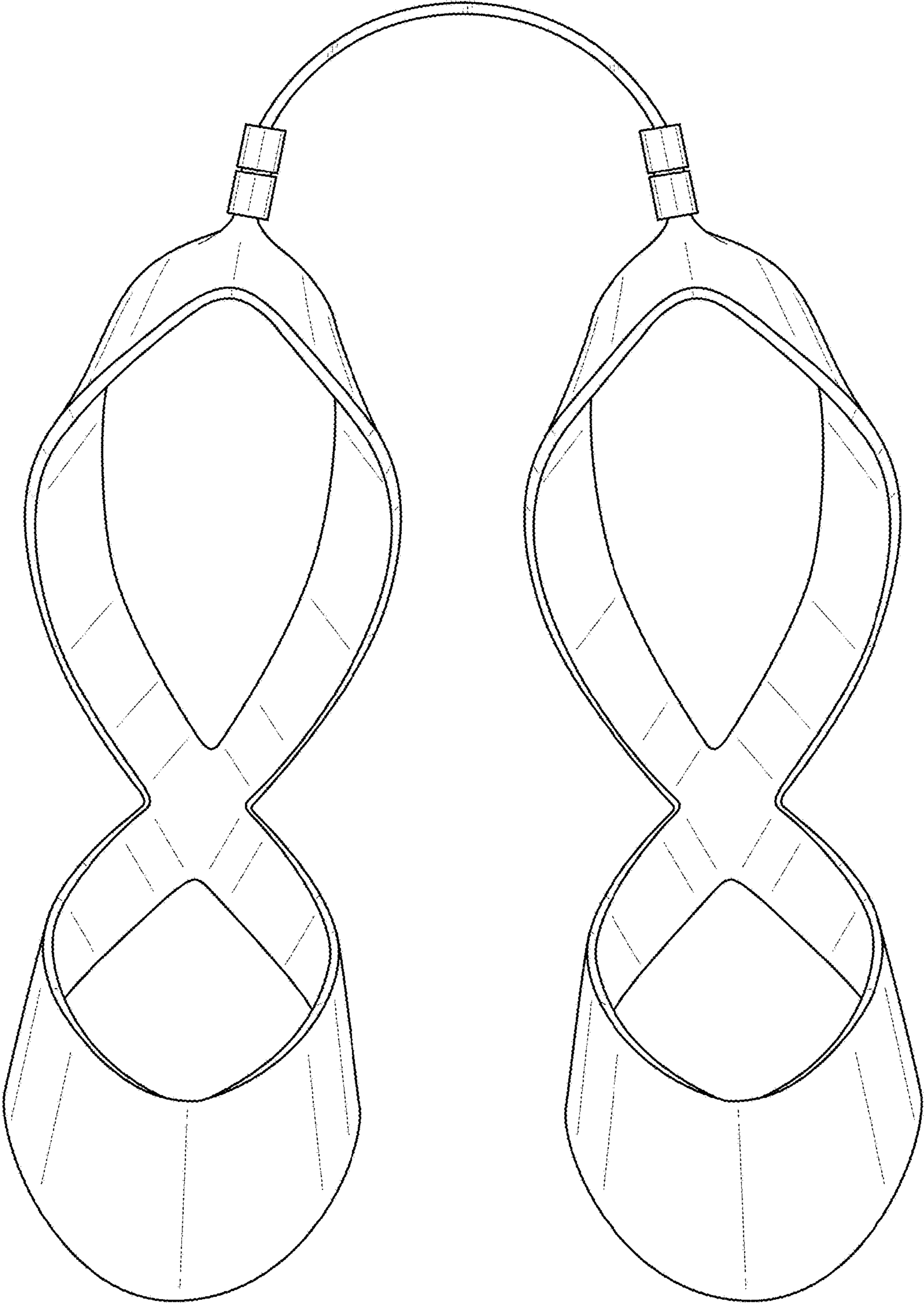


FIG. 1

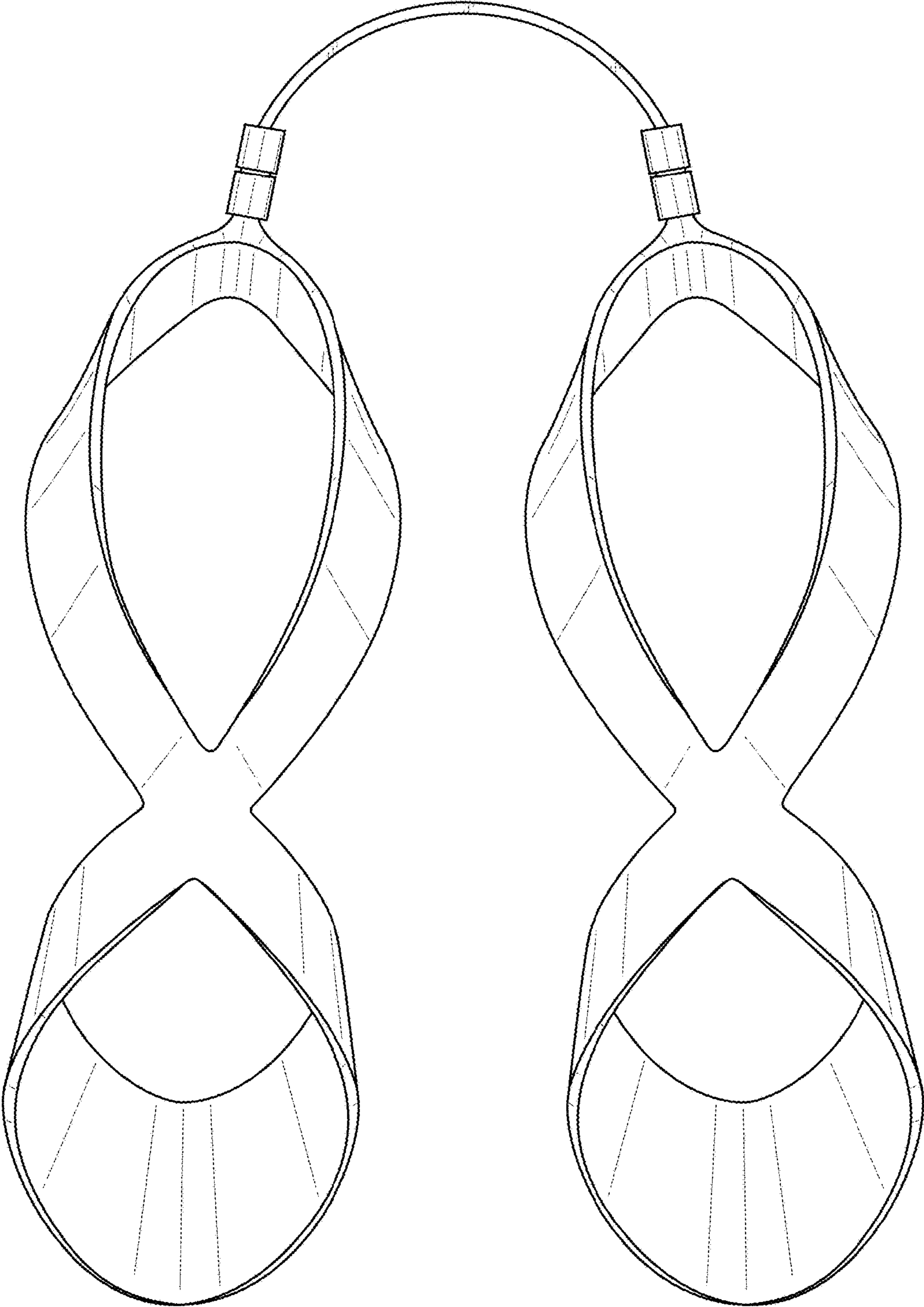


FIG. 2

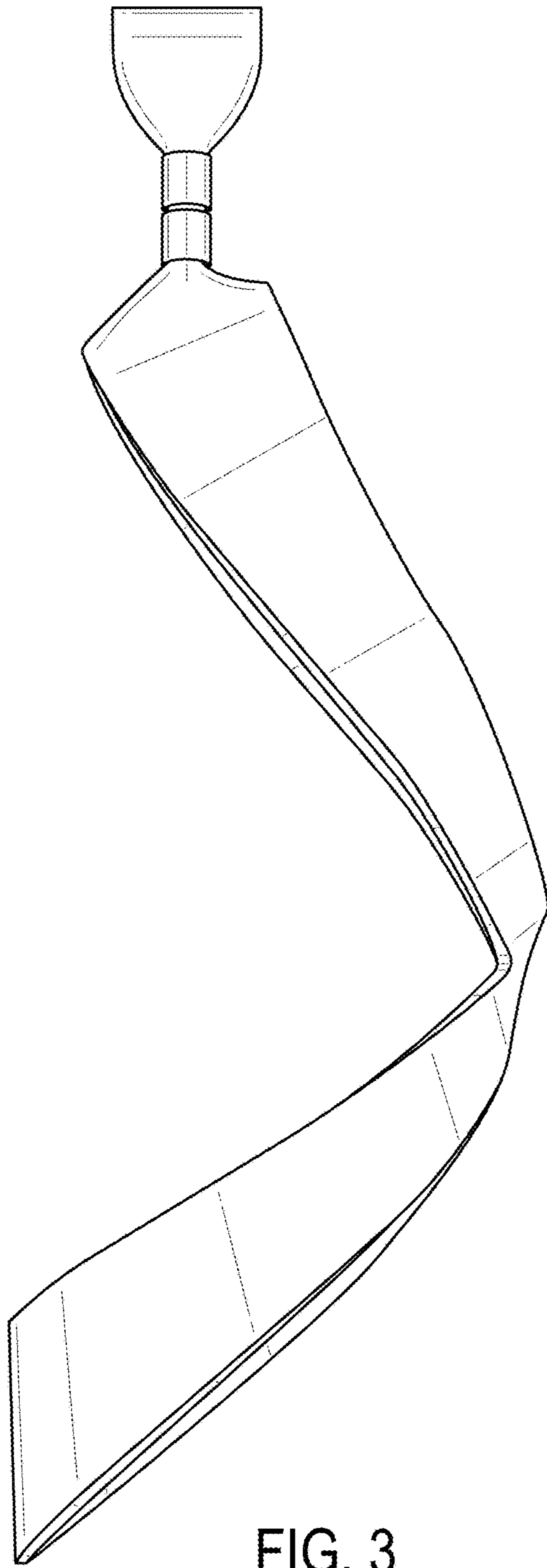


FIG. 3

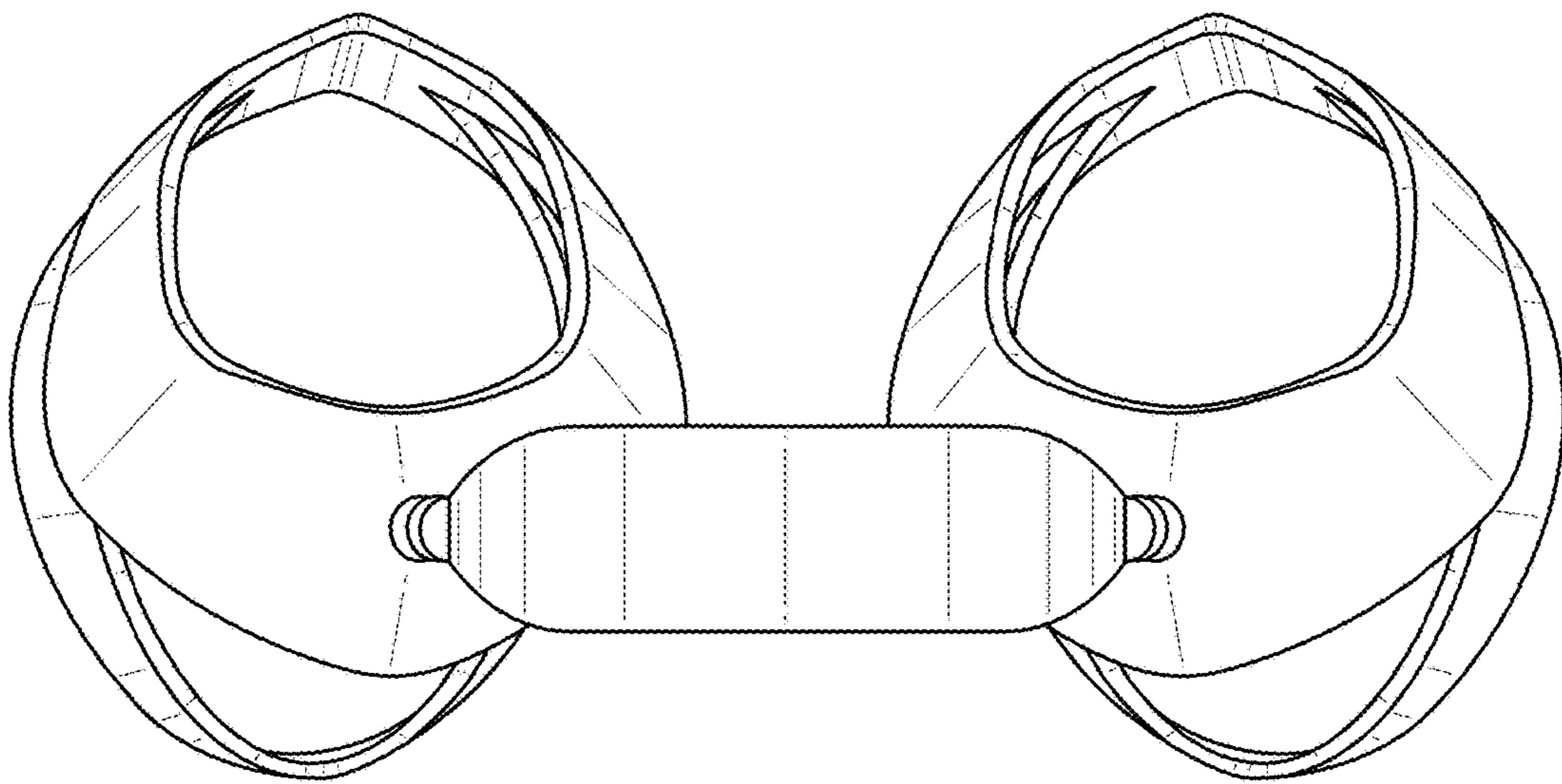


FIG. 4

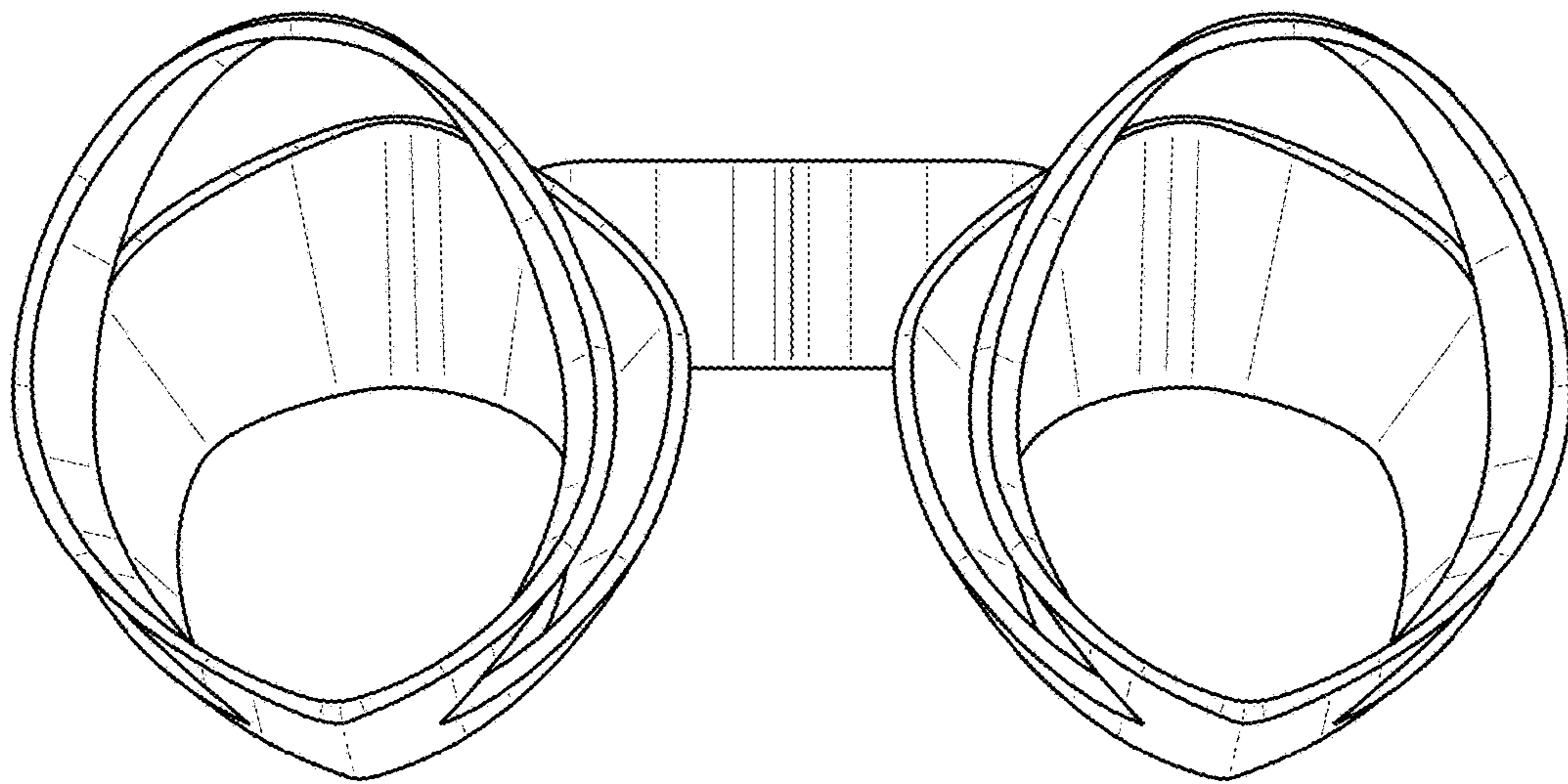


FIG. 5

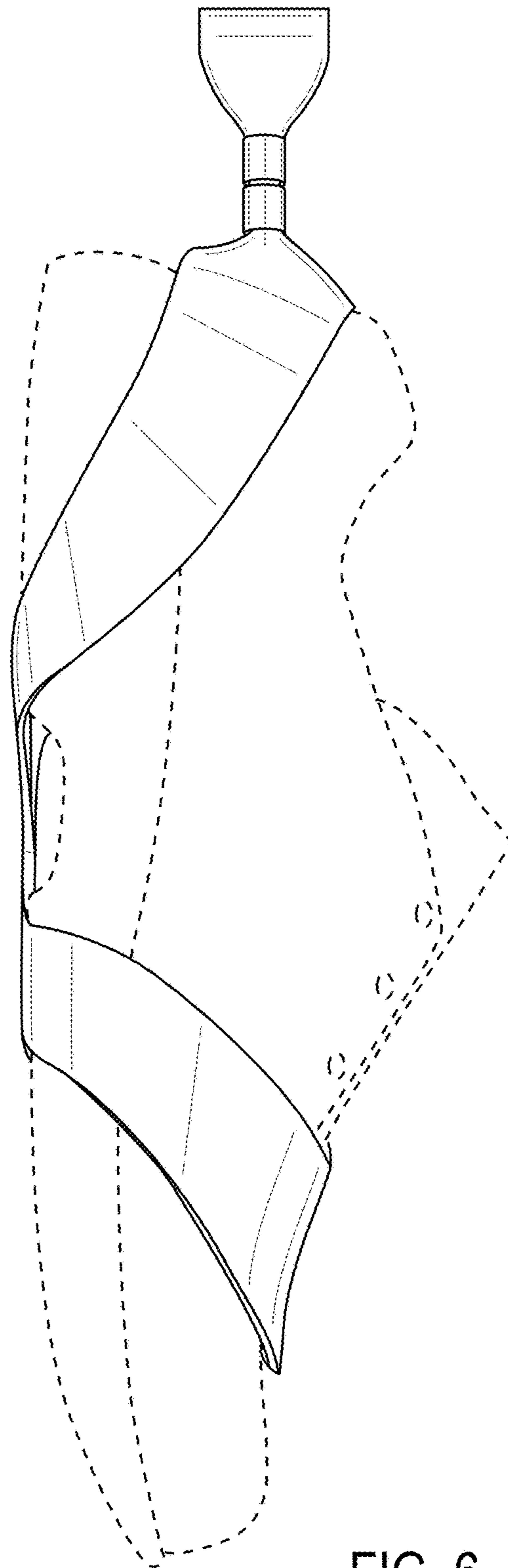


FIG. 6