



US00D826556S

(12) **United States Design Patent**
Kriemler

(10) **Patent No.:** **US D826,556 S**

(45) **Date of Patent:** **** Aug. 28, 2018**

(54) **HANDBAG**

D685,572 S *	7/2013	Gellis	D3/232
D688,449 S	8/2013	Schinasi	
D698,547 S	2/2014	Deneve	
D721,228 S	1/2015	Simms	
D778,046 S *	2/2017	Kriemler	D3/243

(71) Applicant: **Akris Prêt-à-Porter AG**, Speicher (CH)

(72) Inventor: **Albert Kriemler**, St. Gallen (CH)

* cited by examiner

(73) Assignee: **AKRIS PRÊT-À-PORTER AG**, Speicher (CH)

Primary Examiner — Holly H Baynham
(74) *Attorney, Agent, or Firm* — Buchanan Ingersoll & Rooney PC

(**) Term: **15 Years**

(21) Appl. No.: **29/592,914**

(57) **CLAIM**

(22) Filed: **Feb. 3, 2017**

The ornamental design for a handbag, as shown and described.

Related U.S. Application Data

(62) Division of application No. 29/511,540, filed on Dec. 11, 2014, now Pat. No. Des. 778,046.

(51) **LOC (11) Cl.** **03-01**

(52) **U.S. Cl.**
USPC **D3/243**

(58) **Field of Classification Search**
USPC D3/232–233, 240–243, 245–246
CPC A45C 1/024; A45C 3/06
See application file for complete search history.

DESCRIPTION

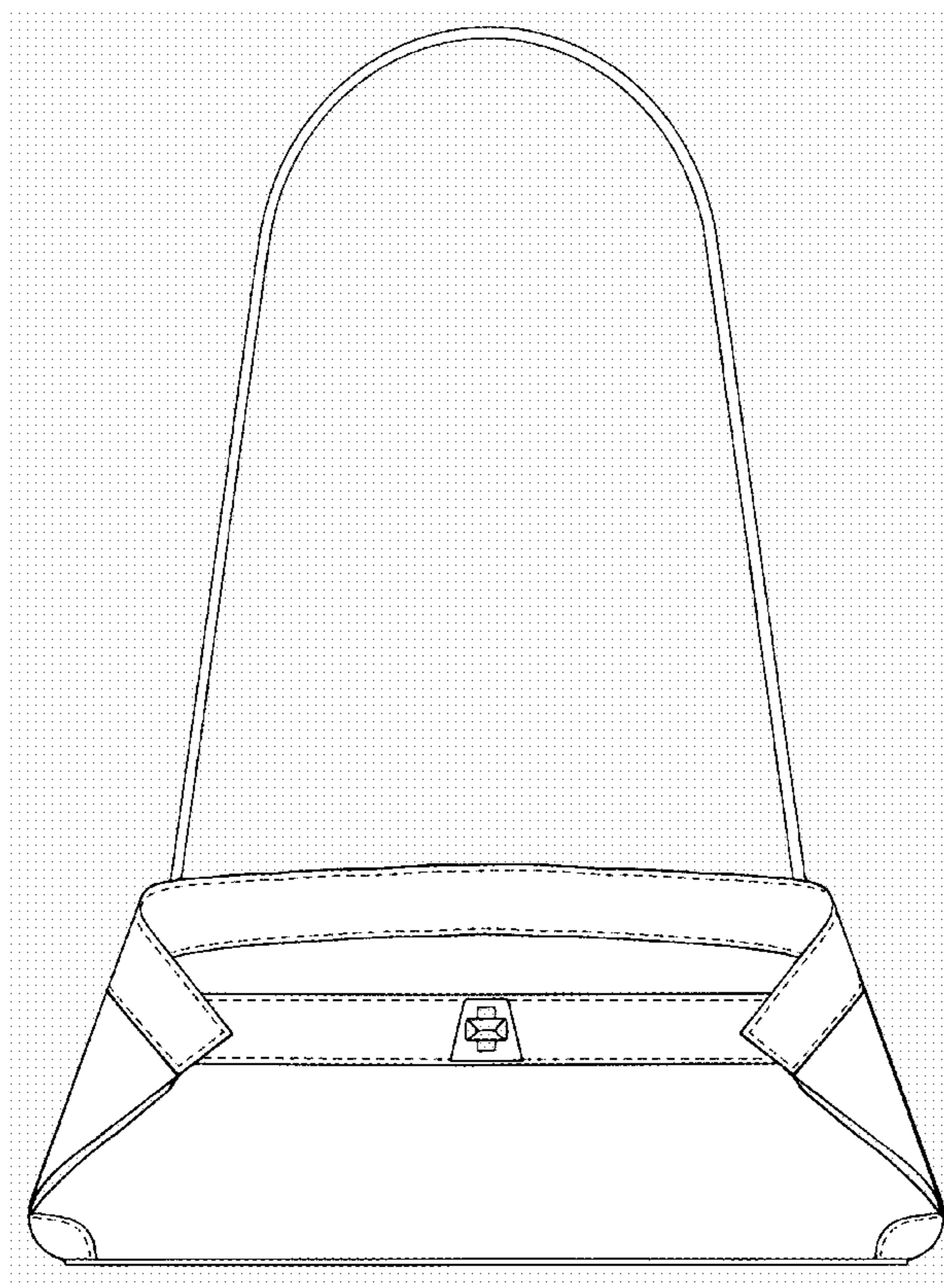
FIG. 1 is a front elevational view of a handbag showing my new design.
FIG. 2 is a rear elevational view thereof.
FIG. 3 is a right side elevational view thereof.
FIG. 4 is a left side elevational view thereof.
FIG. 5 is a bottom plan view thereof.
FIG. 6 is a top plan view thereof; and,
FIG. 7 is a perspective view thereof.
The broken lines representing stitching are part of the claimed design.

(56) **References Cited**

U.S. PATENT DOCUMENTS

D525,784 S	8/2006	Handley
D668,041 S	10/2012	Kriemler

1 Claim, 7 Drawing Sheets



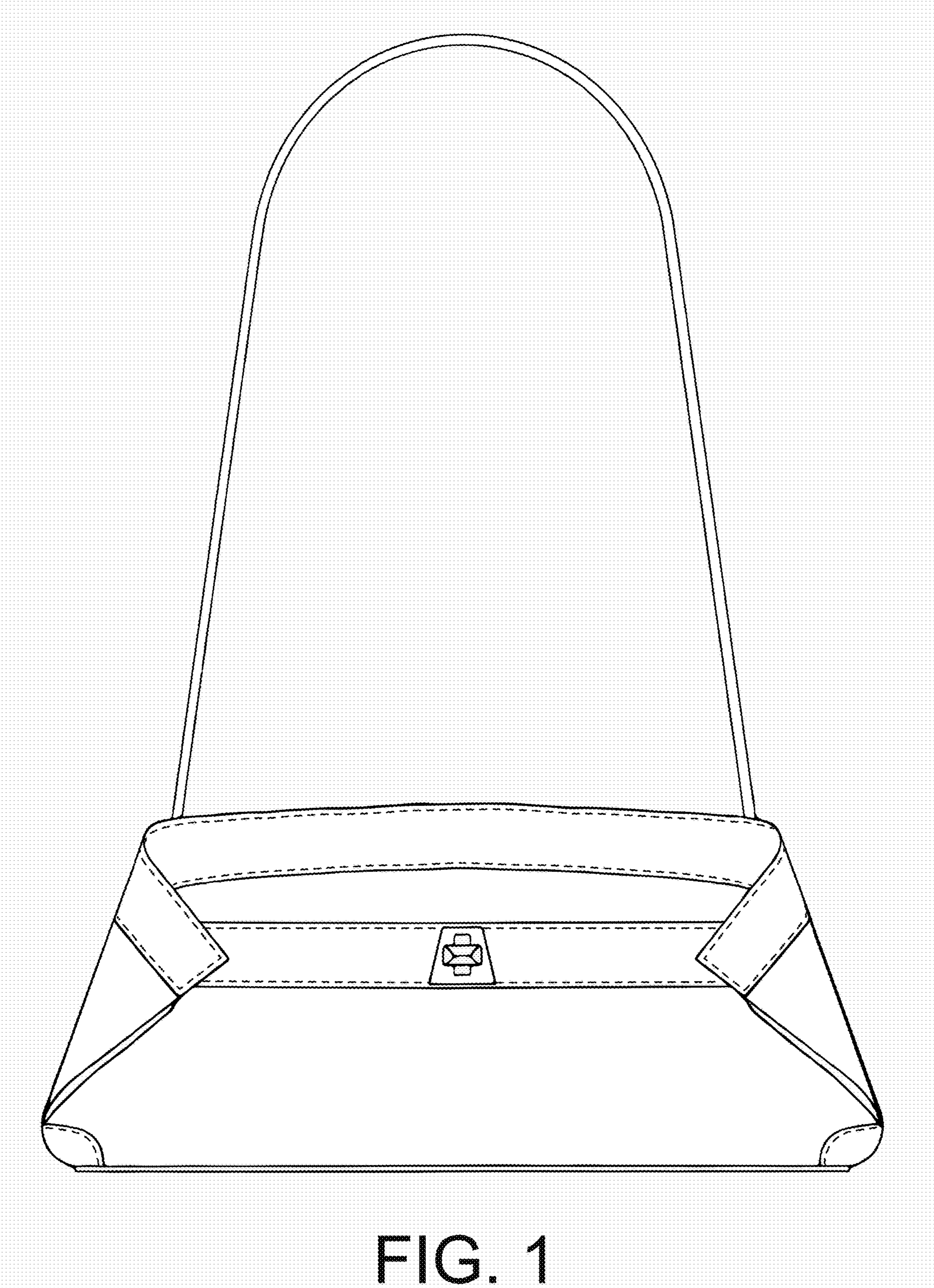


FIG. 1

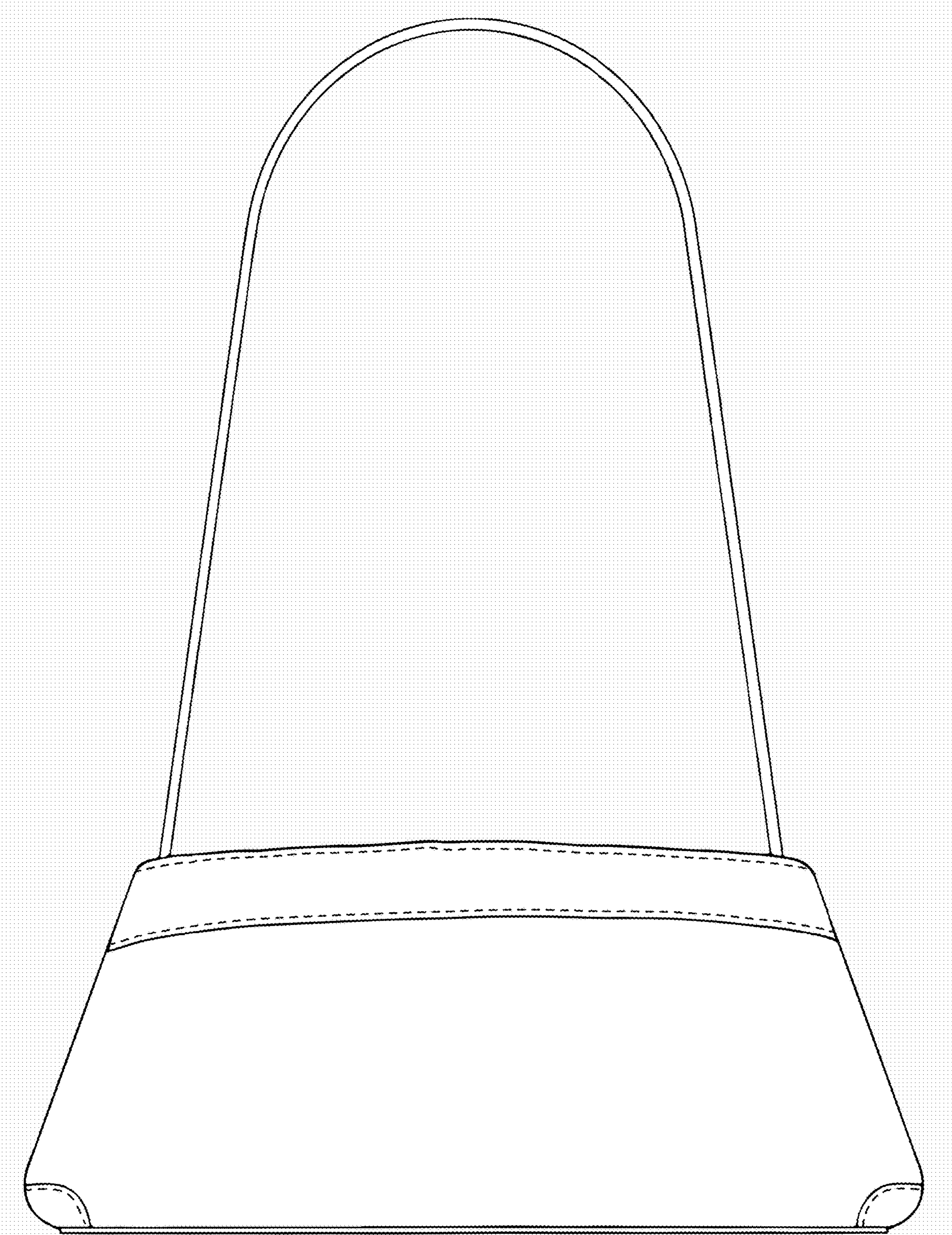


FIG. 2

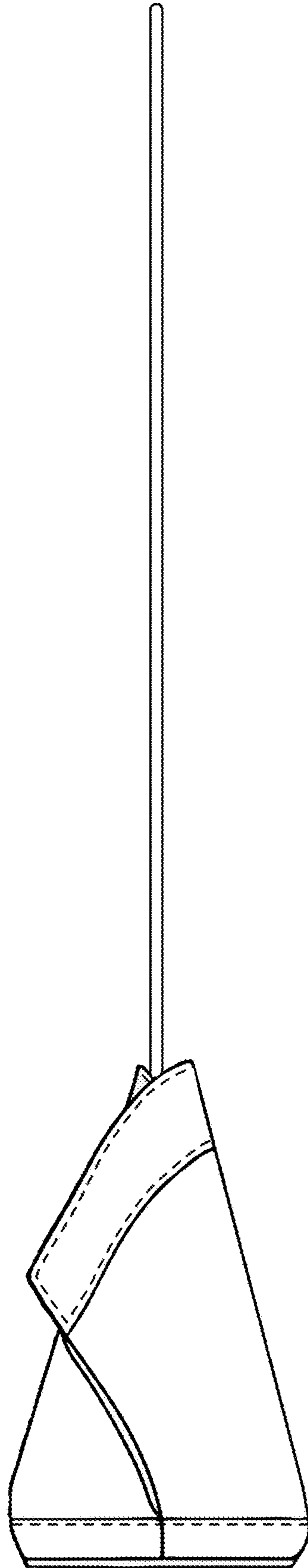


FIG. 3

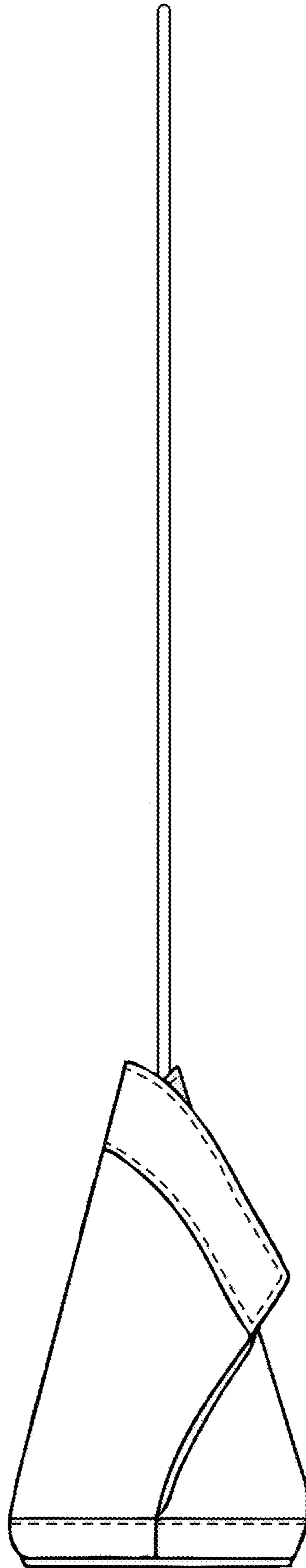
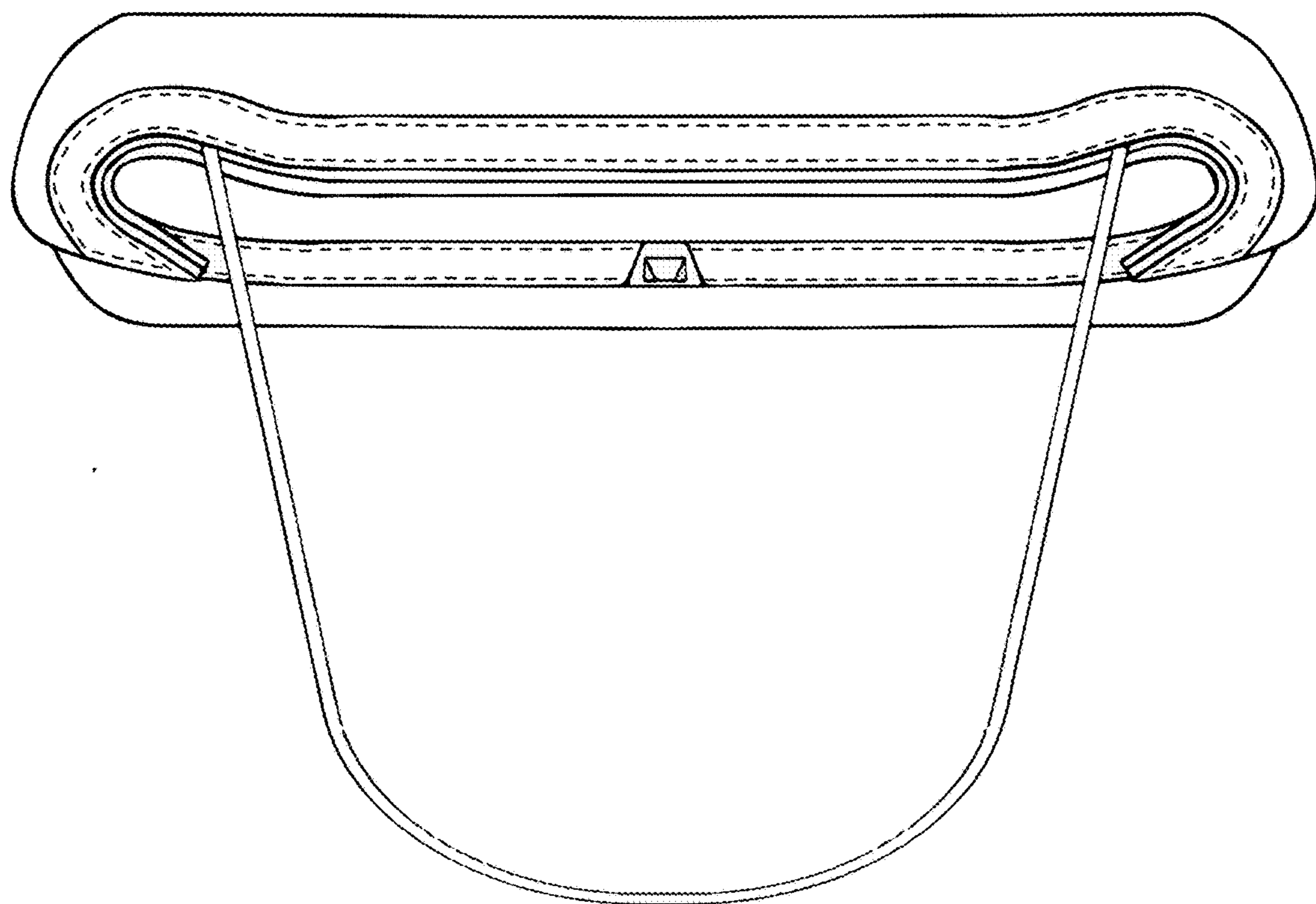


FIG. 4

FIG. 5



FIG. 6



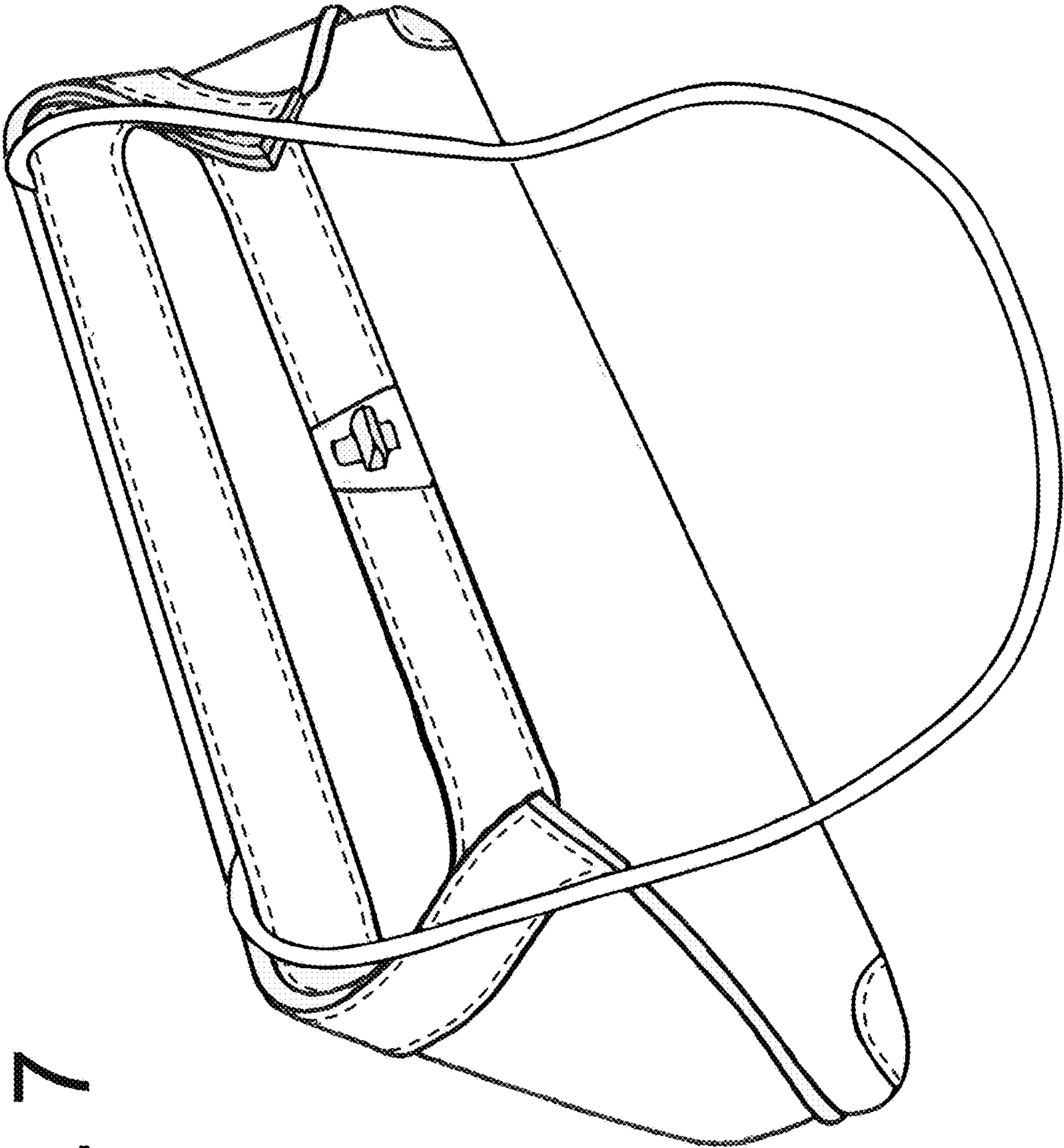


FIG. 7