



US00D826553S

(12) **United States Design Patent**
Vaccarello

(10) **Patent No.:** **US D826,553 S**

(45) **Date of Patent:** **** Aug. 28, 2018**

(54) **HANDBAG**

(71) Applicant: **YVES SAINT LAURENT**, Paris (FR)

(72) Inventor: **Anthony Vaccarello**, Paris (FR)

(73) Assignee: **YVES SAINT LAURENT**, Paris (FR)

(**) Term: **15 Years**

(21) Appl. No.: **29/607,203**

(22) Filed: **Jun. 12, 2017**

(30) **Foreign Application Priority Data**

Dec. 23, 2016 (EM) 003536564-0003

Dec. 23, 2016 (EM) 003536564-0004

(51) **LOC (11) Cl.** **03-01**

(52) **U.S. Cl.**
USPC **D3/232**

(58) **Field of Classification Search**
USPC D3/232-236, 238-243, 245-246, 318,
D3/304, 306-308; D9/681
CPC A45C 1/024; A45C 3/06; A45C 3/10
See application file for complete search history.

(56) **References Cited**

U.S. PATENT DOCUMENTS

D37,644 S *	11/1905	Grossman	D3/235
D37,645 S *	11/1905	Grossman	D3/235
D38,683 S *	7/1907	Grossman	D3/235
D38,808 S *	9/1907	Grossman	D3/235
D38,881 S *	11/1907	Grossman	D3/235
D39,157 S *	2/1908	Grossman	D3/235
D39,200 S *	3/1908	Outler	D3/235
D75,202 S *	5/1928	Wolf	150/106
D250,794 S *	1/1979	Siegel	D3/243
D260,053 S *	8/1981	Siegel	D3/243
D268,304 S *	3/1983	Schimmel	D10/31

D581,158 S *	11/2008	Hermann	D3/232
D582,152 S *	12/2008	Rappaport	D3/233
D730,041 S *	5/2015	Landry	D3/232
D745,268 S *	12/2015	Slimane	D3/232
D751,814 S *	3/2016	Louboutin	D3/232
D773,178 S *	12/2016	Slimane	D3/232
D773,811 S *	12/2016	Hardy	D3/243
D778,602 S *	2/2017	Heyman	D3/243

OTHER PUBLICATIONS

Leather Dist. Women's Real Alligator Handbag Purse W Lock, dated Aug. 31, 2013, amazon.com [online]. Retrieved from internet <URL:https://www.amazon.com/Leather-Dist-Womens-Alligator-Handbag/dp/B00EWKAWCK> (Year: 2013).*

* cited by examiner

Primary Examiner — Cathron C Brooks

Assistant Examiner — Andrew T Nemeth

(74) *Attorney, Agent, or Firm* — Donald J. Ranft; Collen

(57) **CLAIM**

The ornamental design for a handbag, as shown and described.

DESCRIPTION

FIG. 1 is a front left perspective view of a handbag showing my new design;

FIG. 2 is a front view thereof;

FIG. 3 is a rear view thereof;

FIG. 4 is a left side view thereof;

FIG. 5 is a right side view thereof;

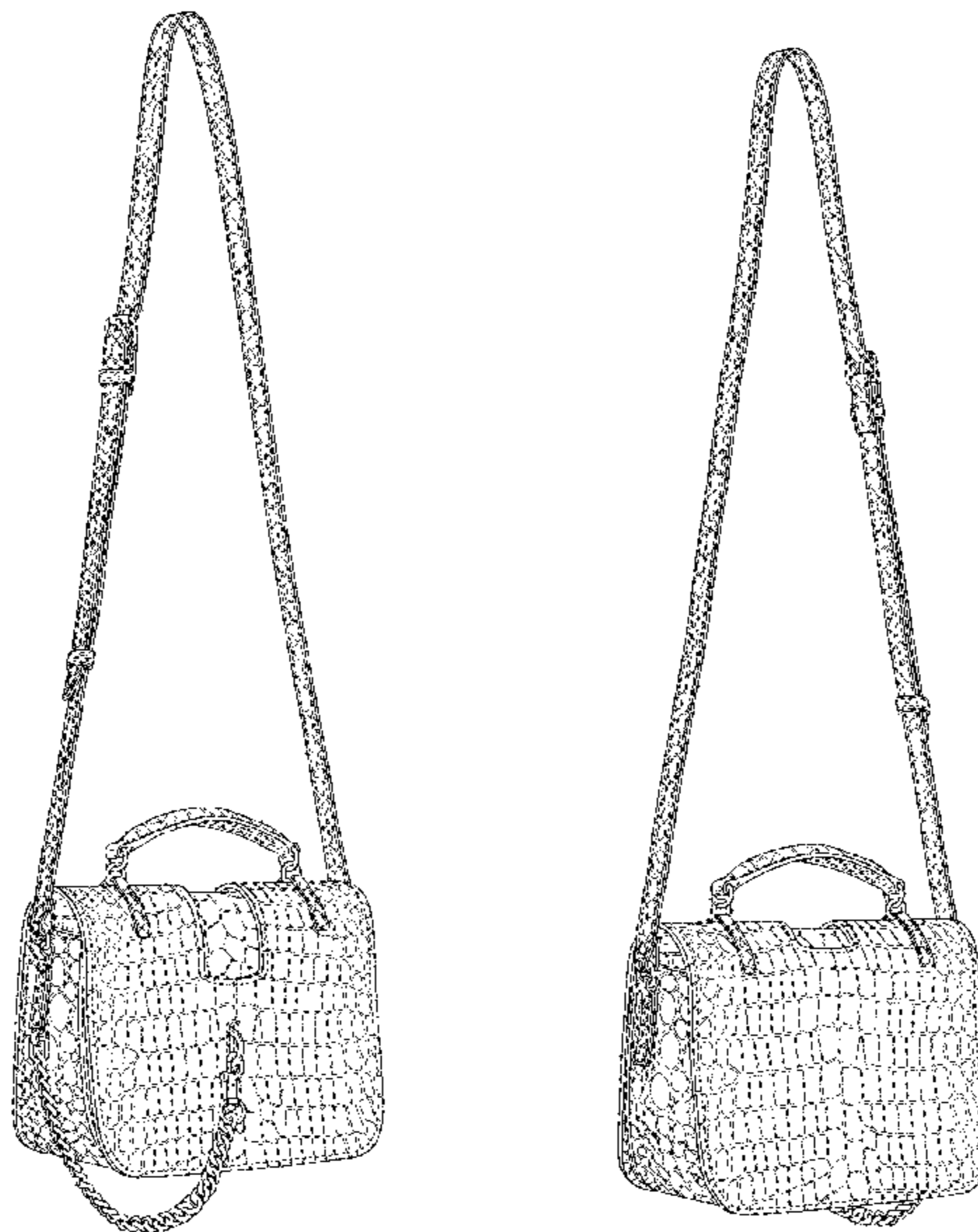
FIG. 6 is a top view thereof;

FIG. 7 is a bottom view thereof; and,

FIG. 8 is a rear right perspective view thereof.

The portions of the handbag shown in broken lines represent thread stitching and forms a part of the claim.

1 Claim, 6 Drawing Sheets



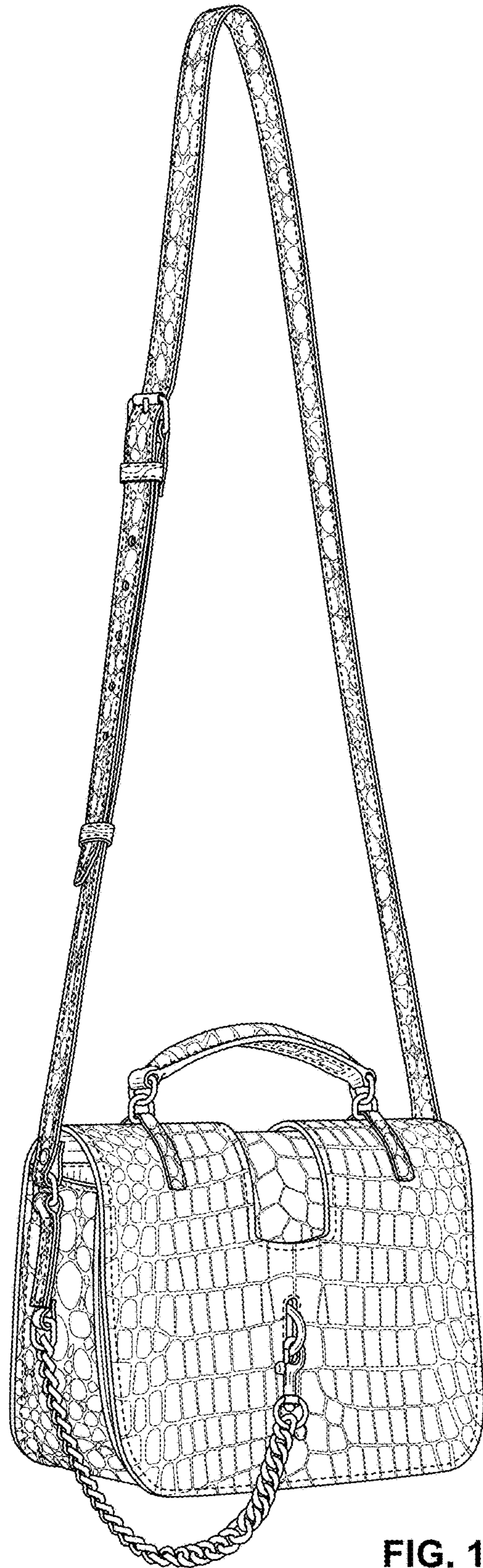


FIG. 1



FIG. 2

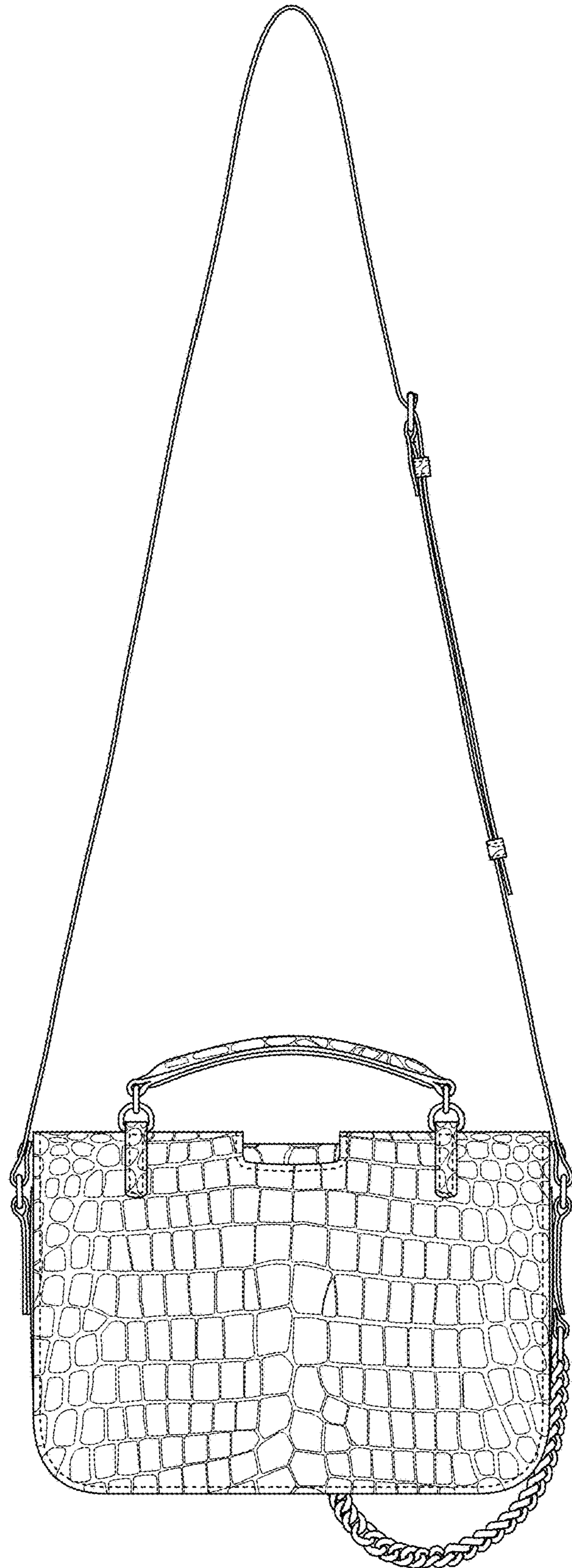
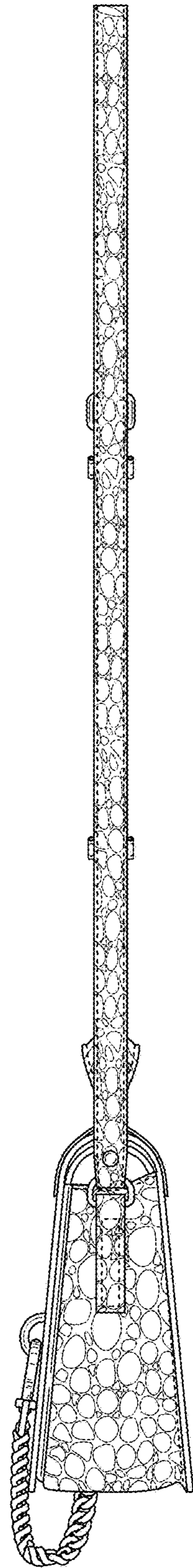
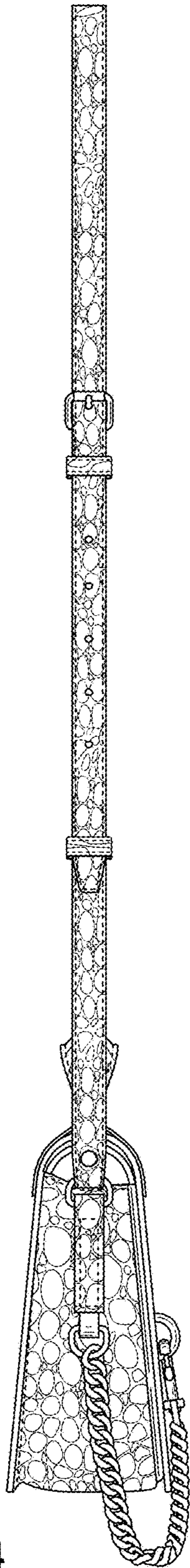


FIG. 3



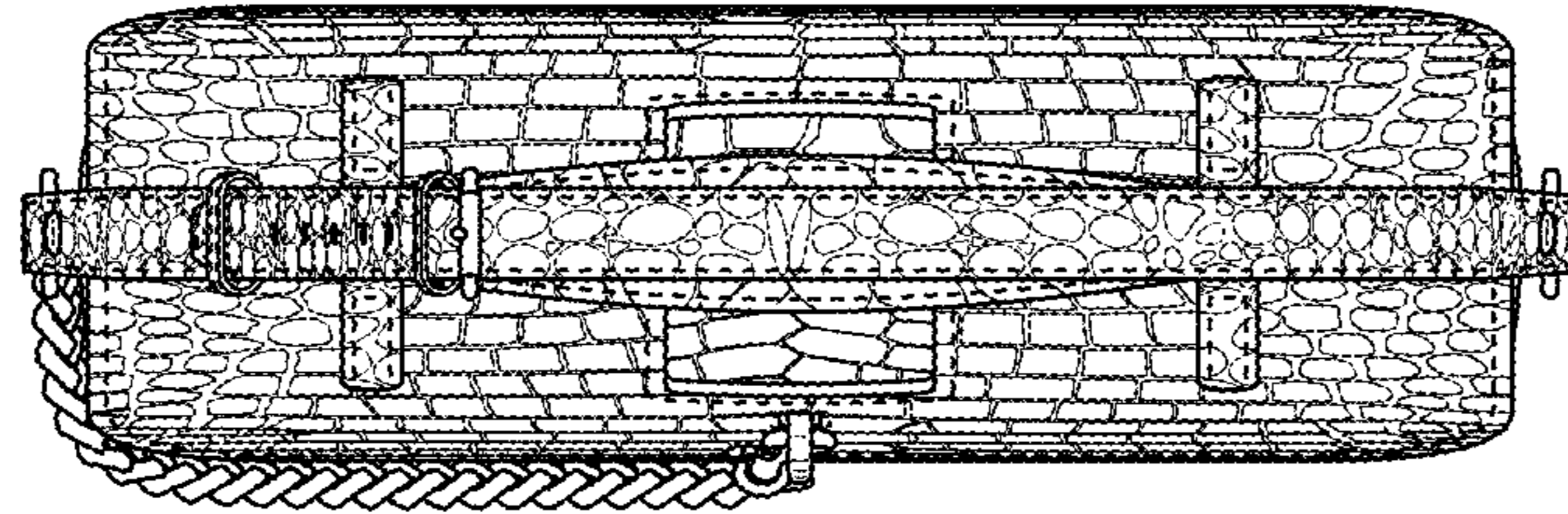


FIG. 6

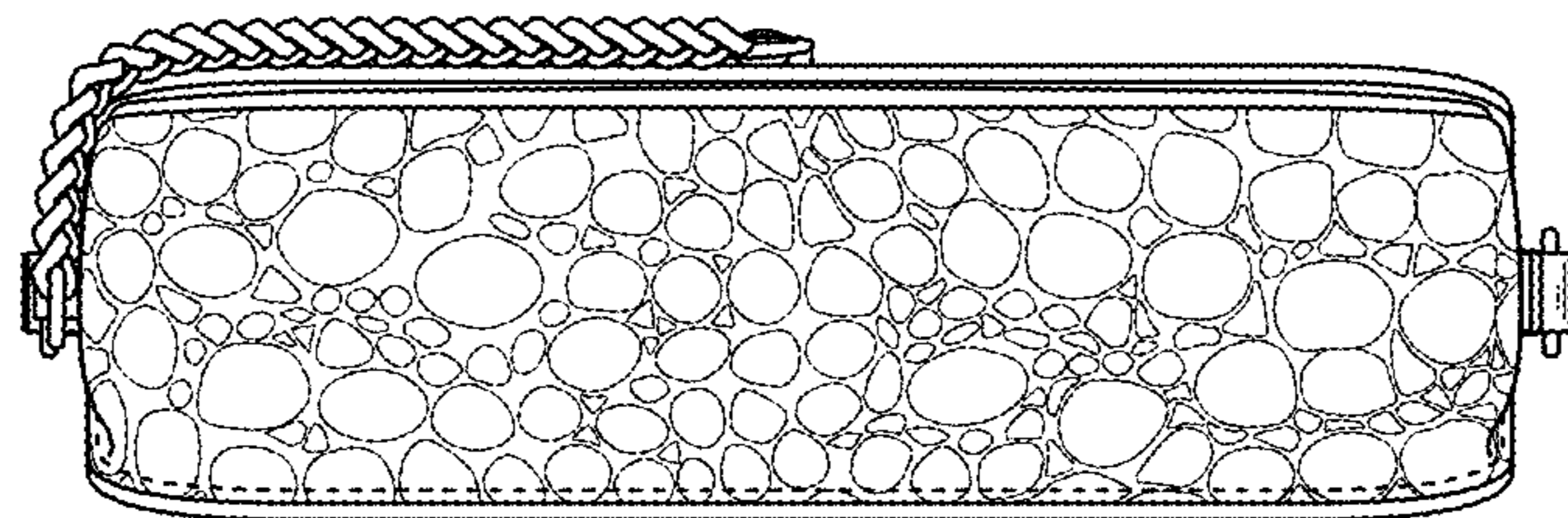


FIG. 7

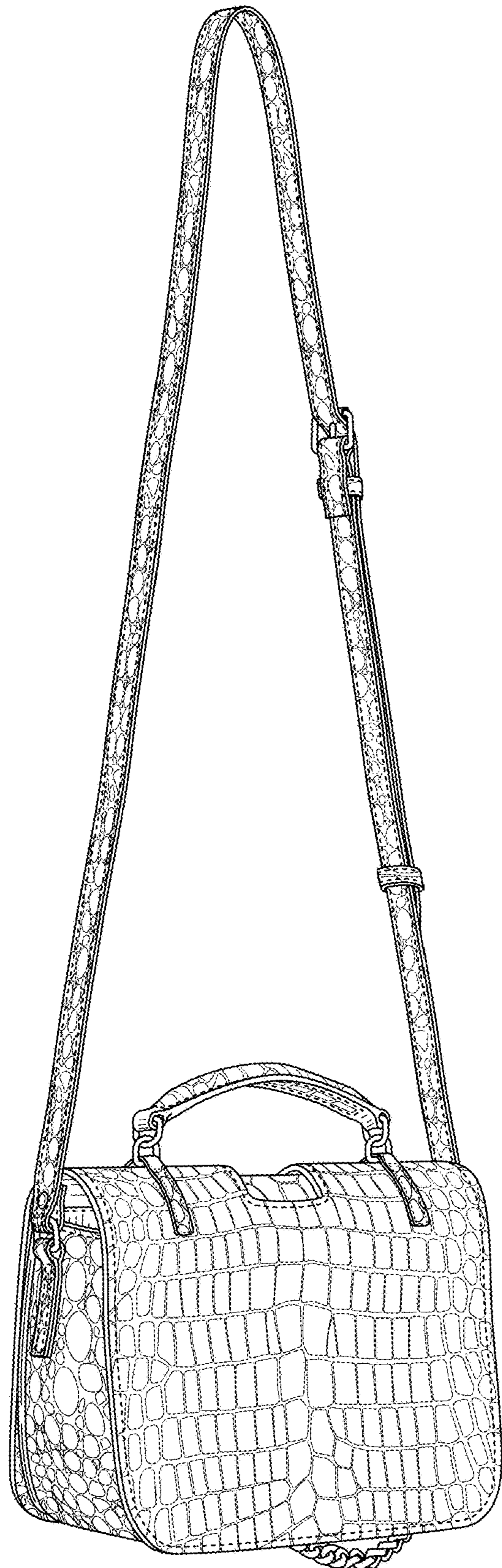


FIG. 8